

# ACR Emergency Signaling

## Emergency Signaling



INFLATABLE PFD. THE INFLATOR. (20-25-9532)

**OPERATING INSTRUCTIONS**

1. Remove the clear cap by turning counterclockwise. Discard cylinder.

2. The bobbin (yellow) must be removed from the cap or housing.

3. The bobbin is used, damaged, or more than 1 year old, dry-card it. Store unused bobbins in a dry area when not in use. Check the bobbin to be sure it is clear and dry.

4. The bobbin (yellow) body may remain in the cap. The bobbin body must be removed prior to use.

5. Check the date on the bobbin in the rear kit. The date should not be over four (4) years from the date of manufacture.

**CAUTION:** Bobbin (yellow) must be installed with the clear cap, white side down facing away from the inflator towards the cap (clear cap) being on the bobbin with the red lever correctly connecting. The bobbin must be correctly connected by screwing the clear cap by screwing the housing should

**STORAGE INSTRUCTIONS**

1. Store in a cool, dry place.

2. Do not expose to direct sunlight.

3. Do not store in warm water.

4. Do not store in a plastic bag.

5. Do not store in a plastic bag.

6. Do not store in a plastic bag.

**REGULAR MAINTENANCE PROCEDURE**

1. Check all components for dirt or corrosion.

2. Check that the CO2 cylinder has not expired. Cylinders contained in accessory pack MA2012.

3. Check the red lever to ensure it is necessary.



THE SCIENCE OF SURVIVAL



# ACR Emergency Signaling



## C-Strobe™ with C-Clip

A super-bright Xenon strobe flashes 60 times per minute for superior emergency signaling that is visible for up to 2 miles (3.2 km). The slim, lightweight design keeps it out of the way until needed, and the supplied C-Clip adapter for life jackets grips snugly around most oral inflation tubes. Supplied steel clip and Velcro® strap provide additional mounting options on backpacks and webbing.

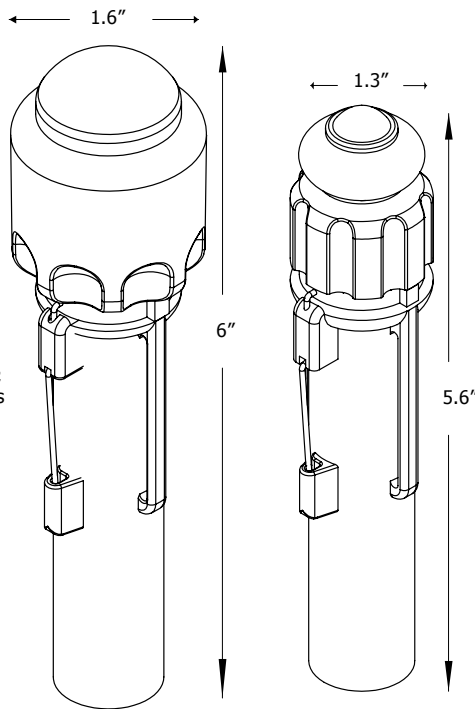


## C-Light™ with C-Clip

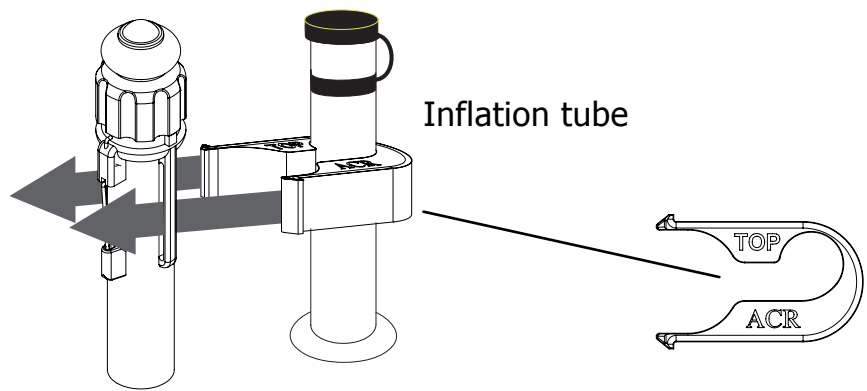
The C-Light is designed to meet the demands of the sea, but is a reliable, multi-purpose light whenever efficient lighting is needed. Equipped with a multi-faceted refracting lens, the C-Light creates a twinkling effect perfect for signaling and is visible for up to 2 miles (3.2 km). Comes with a C-Clip adapter for life jackets, as well as steel clip and Velcro® strap for mounting flexibility.

## SPECIFICATIONS

Product Number	3959 Carded 3958 Bulk
Size	6 x 1.6" (15.2 x 4.1 cm)
Weight	2.6 oz ( 71 g) without batteries
Material	Rugged, impact and temperature resistant ABS
Operational Life	More than 8 hrs @ 30°F (-1° C)
Waterproof	Waterproof and corrosion resistant
Lamp	Xenon flash tube
Beam Angle	Omnidirectional 360°
Flash Rate	60 flashes per minute ± 10 for 4 hours; rate slows to 20/min during last 4 hours
Visibility	High intensity strobe light is visible for up to 2 miles (3.2 km)
Battery	2 "AA" alkaline or 1.5 lithium (sold separately)
Certification:	USCG 161.012/41/0; CE
Accessories	C-Clip Rescue Light Adapter for Inflatable PFDs (P/N 9433)
Limited Warranty	1 year



Product Number	3355 Carded 3354 Bulk
Size	5.6 x 1.3" (14.3 x 3.2 cm)
Weight	1.3 oz. (37 g) without batteries
Material	Rugged, impact and temperature resistant ABS
Operational Life	More than 8 hrs @ 30°F (-1°C)
Waterproof	Waterproof and corrosion resistant
Beam	Lens simultaneously focuses a beam of light straight ahead and a ring of light all around
Visibility	Intense incandescent light visible for up to 2 miles (3.2 km)
Lamp	Incandescent
Battery	2 "AA" alkaline or 1.5 lithium (sold separately)
Certification	USCG 161.012/36/0; CE
Accessories	C-Clip Rescue Light Adapter for Inflatable PFDs (P/N 9433)
Limited Warranty	1 year



For further information please contact:  
**ACR Electronics, Inc.**  
 5757 Ravenswood Road  
 Fort Lauderdale, FL 33312  
 Tel: (954) 981.3333  
 Fax: (954) 983.5087  
 Email: sales@acrartex.com

THE SCIENCE OF SURVIVAL