



# ACR AquaLink™

406 MHz GPS Personal Locator Beacon



PLB

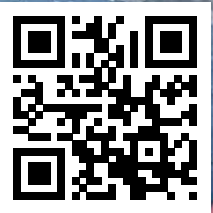


ACR

SELF TEST  
VOK  
PRESS FOR SELF TEST  
SEND I'M OK MESSAGE

GPS  
PRESS FOR GPS  
SEND I'M OK WITH GPS

DO NOT COVER  
GPS RECEIVER  
Give clear view to sky  
**AquaLink**  
Personal  
Locator Beacon



Scan With Phone  
[www.ACRARTEX.com](http://www.ACRARTEX.com)

THE SCIENCE OF SURVIVAL



# ACR AquaLink™

## 406 MHz GPS Personal Locator Beacon



Head offshore with confidence. With three levels of integrated signal technology — GPS positioning, a powerful 406 MHz signal, and 121.5 MHz homing capability — the AquaLink™ quickly and accurately relays your position to a worldwide network of Search and Rescue satellites, reducing search time and increasing your chances of survival. It's reliable signaling technology that has saved more than 30,000 lives since 1982.

The AquaLink™ broadcasts a unique registered distress signal that not only tells

rescuers where you are, but who you are. The onboard GPS can fix your position to within 100 meters and then utilizes a powerful 406 MHz signal to relay your distress call to orbiting satellites. As local Search and Rescue is deployed, a separate homing signal and integrated LED strobe light guide rescuers to your exact location.

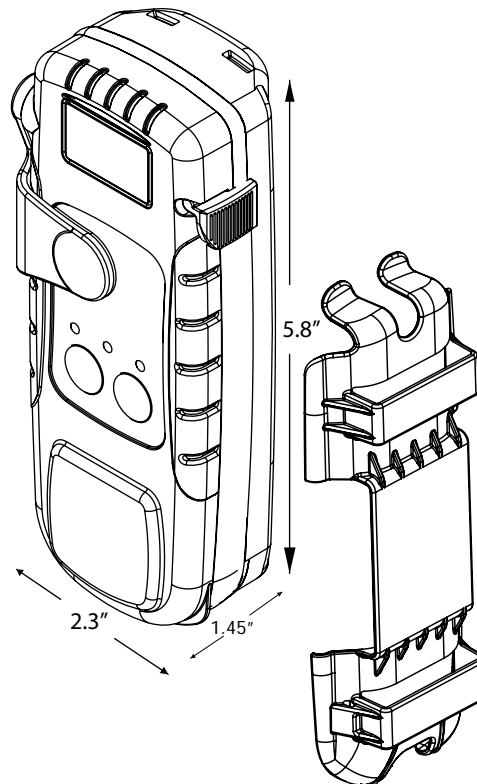
The AquaLink™ is small enough to be easily carried in a pack or pocket or can be worn on deck, at the helm, in quarters or on a life vest and will float if accidentally dropped

overboard. Performing a full functional self test of the PLB's internal circuitry, battery voltage & power, and 406 MHz transmission gives you peace of mind knowing your PLB will work the moment you need it most. ACR Exclusive: Built-in GPS acquisition test mode allows you to test GPS functionality up to 12 times over the life of the battery.

Tap in to the same field-tested rescue technology used by the U.S. Military, U.S. Coast Guard, NATO Special Forces and Arctic explorers.

## SPECIFICATIONS

Product Number	2882
Model Number	PLB-350 B
Size	2.3 x 5.8 x 1.45" (5.9 x 14.8 x 3.7 cm)
Weight	9.2 oz (261 g) with lanyard
Battery, Class	Class 2 (non-hazmat) lithium batteries
Battery, Replacement Interval	Replacement due six (6) years from date of manufacture or five (5) years after beacon is placed into service, whichever is first, or after emergency use
Battery, Operational Life	Exceeds 24 Hours @ -4°F (-20°C)
Battery, Typical Performance	35 Hours @ -4°F (-20°C)
Battery, Storage	-40°F to + 158°F (-40°C to +70°C)
Material	Engineered polycarbonate blend
Color	ACR-treuse™ (high visibility yellow)
Activation	Manual
Operation	2 steps: deploy antenna, press ON button. Give clear view of sky
Waterproof	16.40 ft (5 m) @ 1 hr., 33 ft (10 m) @ 10 min. Factory tested @ 70°F, exceeds RTCM waterproof requirements
Radiated Power	6.3W (406 MHz), 50 mW +/-3dB (121.5 MHz)
Accessories	Attachment clip included
Approvals	Cospas-Sarsat, FCC, Canada, R&TTE
Limited Warranty	5 years
Lead Free	Yes



- No Subscription Fees
- Floats
- Super Bright LED Strobe
- On Board 66 Channel GPS
- Self-Test and GPS Test Features
- Typical Performance 35 Hours
- Non-Hazmat Battery
- Made in the U.S.A

It is mandatory that you register your PLB. It's fast, easy and free [www.beaconregistration.noaa.gov](http://www.beaconregistration.noaa.gov). When activated, the unique identification code in your PLB is linked to the registration database. This way authorities can retrieve valuable information about you and your trip.

The AquaLink™ is a satellite signaling device of last resort, for use when all other means of self rescue have been exhausted, where the situation is grave and imminent loss of life, limb, eyesight, or valuable property will occur without assistance.

For further information please contact:

**ACR Electronics, Inc.**  
5757 Ravenswood Road  
Fort Lauderdale, FL 33312

Tel: (954) 981.3333  
Fax: (954) 983.5087  
Email: [sales@acrartex.com](mailto:sales@acrartex.com)