



extreme environment lighting

SeaBlaze3

SKU: 101057

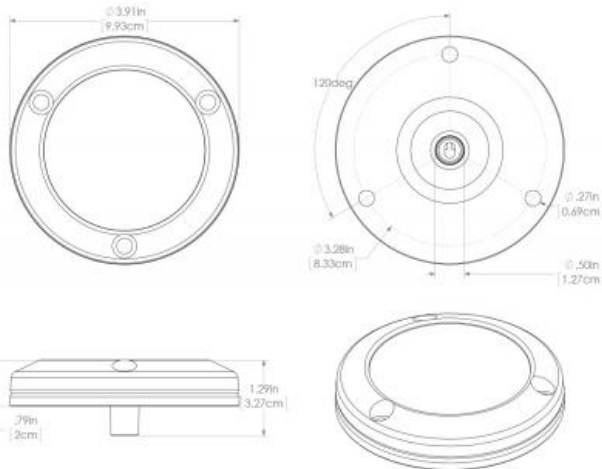
Color Output: Green Non Dimming

Finish: Brushed

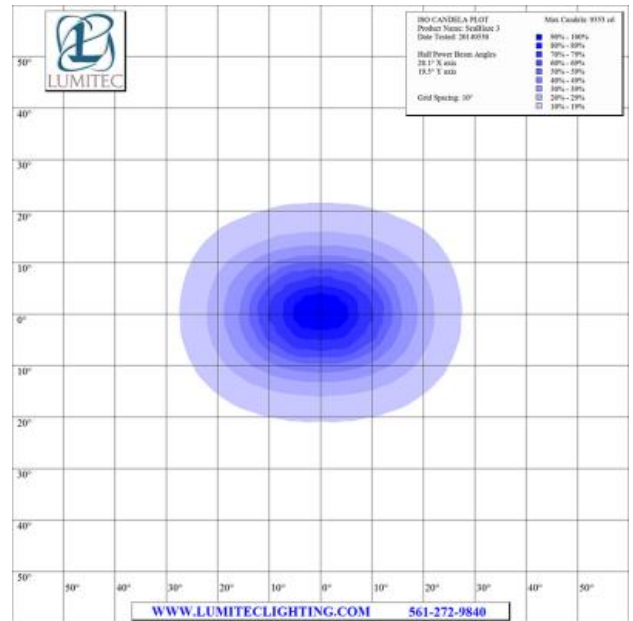


Lumitec's SeaBlaze3 underwater light has firmly established itself as the benchmark for value in underwater lighting. Boasting light output equal to that of competitors costing 3 to 5 times more, SeaBlaze3 is available in 4 output options, including 2 color. Surface mount for fast easy installation. Completely self contained with no external driver boxes to mount.

- Voltage: 10 - 30vDC
- 12vDC Amps: 2.7A
- 24vDC Amps: 1.3A
- Correlated Color Temperature: NA
- Color Rendering Index: NA
- Rated Watts: 34
- Lumens (White):
- Operating Temp (°C): -35 to +55 C
- Operating Temp (°F): -31 to + 131 F
- IP67 Compliant
- Certified Ignition Protected



Dimensions: 3.90in (9.93cm) (W) x 3.90in (9.93cm) (H) x 0.79in (2.00cm) (D)



www.lumiteclighting.com | Phone: (561) 272-9840 | info@lumiteclighting.com



ISO LUX PLOT
Product Name: SeaBlaze 3
Date Tested: 20140530

Max Lux at 10': 992 lx

Target Distance: 10'
Grid Spacing: 2'

- 90% - 100%
- 80% - 89%
- 70% - 79%
- 60% - 69%
- 50% - 59%
- 40% - 49%
- 30% - 39%
- 20% - 29%
- 10% - 19%

