



www.actisense.com
 sales@actisense.com
 +44 (0)1202 746682

Actisense[®]
NMEA 2000[®]

Quick Power Drop

Technical Specifications

Electrical	
Rated Current (QPD-1-PMW)	4 A Max each feed (when suitable fuses are fitted)
Rated Current (QPD-1-GLA)	5 A Max each feed (when suitable fuses are fitted)
Fuse Rating	3 A each feed (fitted as standard)
Rated Voltage	32 V
Reverse Protection	45 V
Forward Drop	0.57 V each feed
Supply Current	3 mA @ 12 V each feed
LEN	<1
Micro Connectors (PMW variant only)	
Contacts	Brass, gold plated
Contact Carrier	Nylon & GF
Contact Polarisation	Standard M12 -"A"- polarisation
Mating Thread	M12
O-Ring Seal	Rubber, black
Housing	Brass, nickel plated
Mechanical	
Housing Material	Polycarbonate
Clamping range M16 Gland (power feed on all variants)	4.5 to 10 mm
Clamping range M20 Gland (backbone feeds on GLA variant only)	6 to 12 mm
Power Indicator	1 x green LED each feed
Reverse Power Indicator	1 x red LED
Fuses	ATO automotive blade
Weight QPD-1-GLA	209 g
Weight QPD-1-PMW	233 g
Approvals and Certifications	
Protection	IP67 (when mated / plugged)
Operating Temperature	-20°C to +55°C
Storage Temperature	-30°C to +70°C
Guarantee	3 years (when registered)
NMEA 2000 Certified	
RoHS Compliant	

QPD-1-PMW



QPD-1-GLA

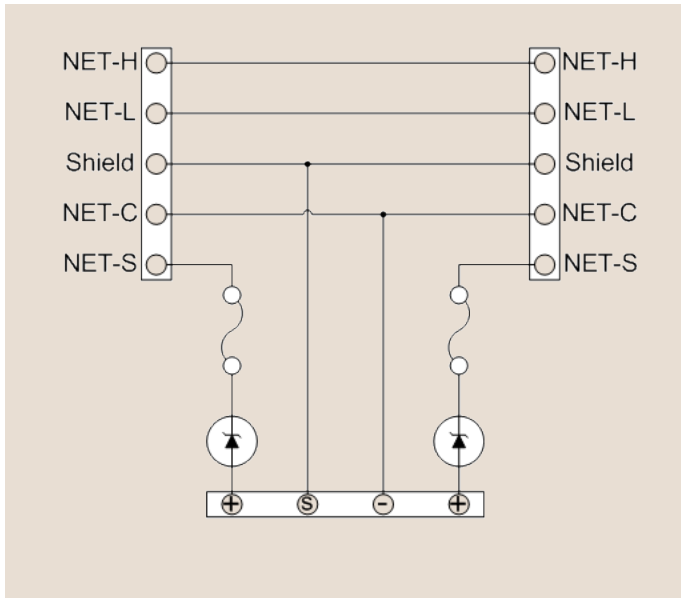


NMEA 2000 Connections

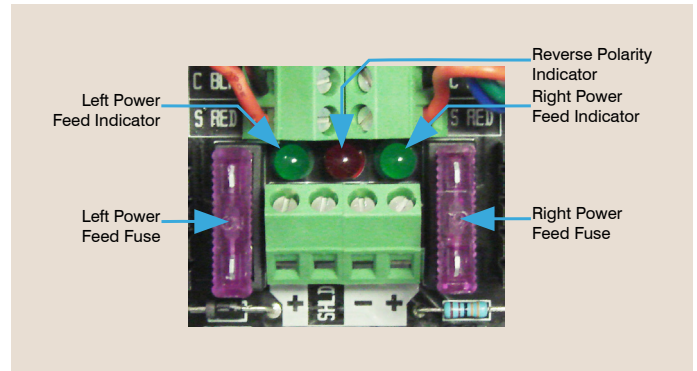
Name	Colour	Female Pins	Male Pins
NET-L	Blue	Pin 5	Pin 5
NET-H	White	Pin 4	Pin 4
Shield	Green	Pin 1	Pin 1
NET-S	Red	Pin 2	Pin 2
NET-C	Black	Pin 3	Pin 3

Quick Power Drop

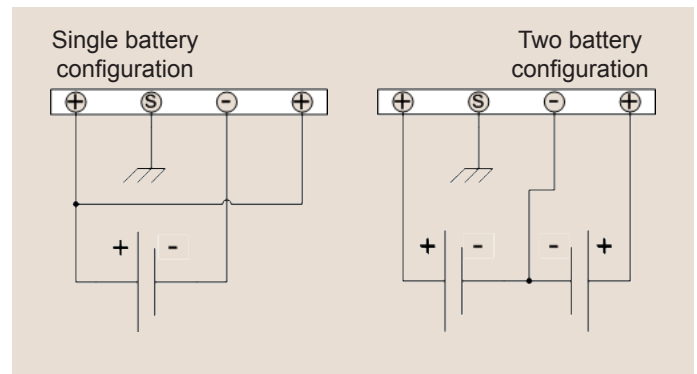
Wiring Schematic



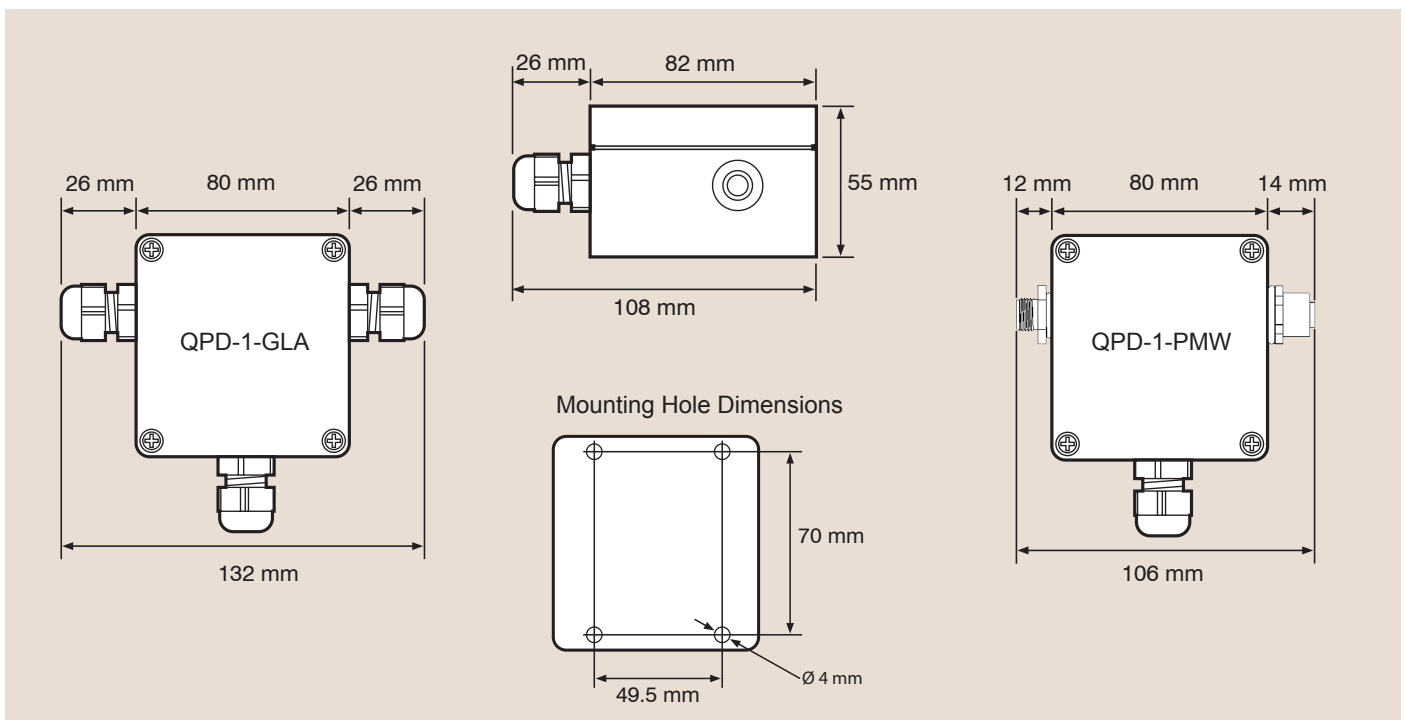
Feature Layout



Battery Configurations



Case Dimensions



Part Number	Description
QPD-1-PMW	NMEA 2000 power entry point with extra features, with Micro connectors
QPD-1-GLA	NMEA 2000 power entry point with extra features, with terminal connectors for Micro, Mid and Mini cable