

a Series

Compact • Full-Function • Multifunction Displays



INNOVATION • QUALITY • TRUST

Raymarine®

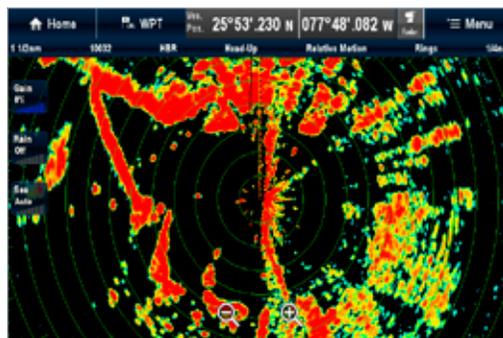
a Series: Big Specifications
Compact Dimensions



Single data screen



Full screen radar (optional radar antenna required)



Application selection (home screen)





a Series Multifunction Displays

Powerful, go-anywhere, navigation; a-Series multifunction displays deliver the speed and simplicity of Raymarine technology in a sleek compact touch screen displays.

- Swipe, Touch and Navigate – very simple. Powered by Raymarine’s intuitive LightHouse user interface
- Super Bright LED Technology – sunlight viewable optically-bonded display
- Super-fast dual core processor plus a powerful graphics processor



Personalize

Create custom navigation pages by dragging and dropping applications to the desired location on the page. The LightHouse user interface also guides you through setup and configuration with an easy to use start up wizard. Make sure you are up to date with latest features available from www.raymarine.com



a6 Series typical environment screen



a7 Series typical split screen showing DownVision and engines



The LightHouse user interface is updated regularly to bring you the very latest features. Make sure you are up-to-date by downloading the latest version from our website.

Dual compass wind screen



a Series: multifunction displays

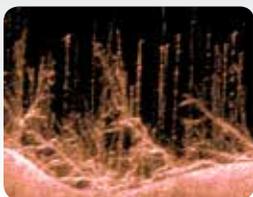
Sonar

- a Series with sonar built-in are the perfect choice for anglers looking for a powerful do-it all combo
- a68 and a78 feature Raymarine's exclusive CHIRP DownVision for photo realistic images of structure and fish targets
- a67 and a77 feature a fully automatic digital sonar, ideal for coastal fishing and the occasional offshore venture

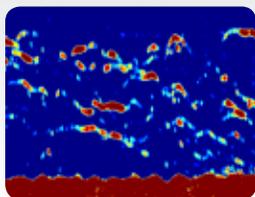




a68/a78 CHIRP DownVision



a67/a77 Digital Sonar



Optional Wi-Fi and Mobile Apps

Choose an a Series MFD with built in Wi-Fi and use your mobile device to view and remotely control your MFD with our mobile apps. For more information and model compatability, visit www.raymarine.com

Sonar continued...

- The a67 and a77 are trolling motor ready – optional adapter enables use of Minn Kota’s Universal Sonar trolling motor transducer (83kHz)

Radar

Display radar data with an optional Raymarine Digital, HD and Super HD Color radar antenna



Charting

- 50 Channel internal GPS sensor
- Charts: a Series MFDs are available with or without Navionics Silver or Gold cartography on microSD cards
- 3D Chart and aerial photo chart navigation using optional Navionics Platinum+ charts
- Easy to use; with a simple start up wizard and on-screen user guide
- Place waypoints and plan routes with a few simple touches



a Series: it's extremely well connected



Instrument Displays

Sharp, easy-to-read analog and digital instrument display transform a Series into a powerful information display.

Networking

- Fast Raynet Ethernet (SeaTalk^{4s} compatible) port
- Network up to 6 Raymarine MFDs
- Network support for Raymarine Digital radar, HD Color and SHD Color radar, ClearPulse[®] CHIRP sonar modules
- NMEA2000 and SeaTalk^{™9} connectivity



Engines Display

Connect with NMEA2000 compatible engines for graphical engine data displays



Fuel Management

Fuel monitoring with time-to-empty and distance to empty calculations and fuel range rings display overlaid on navigation charts



SIRIUSXM Weather and Radio

Keep track of storms and tune into SIRIUSXM satellite radio with the optional SR150 receiver.



Audio Control

Control your audio with Bluetooth or FUSION link. Full control of FUSION 700 Series Marine Stereos





IP Cameras

a Series MFDs support IP cameras (requires ONVIF compatibility) including record and playback facilities



Features	a65	a67	a68	a75	a77	a78
Screen size	5.7 inch			7 inch		
Built-in digital sonar		•			•	
Built-in CHIRP with DownVision sonar			•			•
Wi-Fi	Optional					
Bluetooth	Yes					
Chartplotter	Yes					
Radar Display	Optional radar antenna required					
Remote network display	•			•		
Recommended for coastal fishing		•	•		•	
Recommended for freshwater or coastal fishing			•			•

Accessories

1. Upgrade a Series displays with a network sonar module
2. AIS350/AIS650 Automatic Identification System (AIS) modules
3. Digital, HD or SHD Color radar antennas
4. Enjoy basic autopilot control of Raymarine Evolution autopilots
5. Optional Wireless Control. The RCU-3 wireless remote offers simple 3 button control of the MFD using Bluetooth. Wheelmount or lanyard (supplied)

SPECIFICATIONS

Nominal voltage supply:

a6X: 13.8 v DC

a7X: 12 v DC

Operating voltage range:

a6X: 10.2 – 15.6 v DC

a7X: 10.8 – 15.6 v DC

Power consumption at full brightness:

a65/a67: 9/12W

a75/a75 Wi-Fi: 9.1W max

a77/a77 Wi-Fi: 12.7W max

a78/a78 Wi-Fi: 11.1W max

Operating Temperature range:

a6X: -10°C to +50°C (13°F to 122°F)

a7X: -25°C to +50°C (14°F to 122°F)

Waterproofing standard:

IPX6 and IPX7

Display size:

a6X: 5.7"

a7X: 7"

Display resolution:

a6X Series – 640 x 480 pixels (4:3 format)

a7X Series – 800 x 480 pixels (16:9 format)

Color depth:

24 bit

Networking:

Up to 6 units

Connections:

1 × Raynet (SeaTalk^{hs}); 1 × SeaTalk^{ng}

Bluetooth:

AVRCP 2.1+ EDR power class 1.5

Wi-Fi:

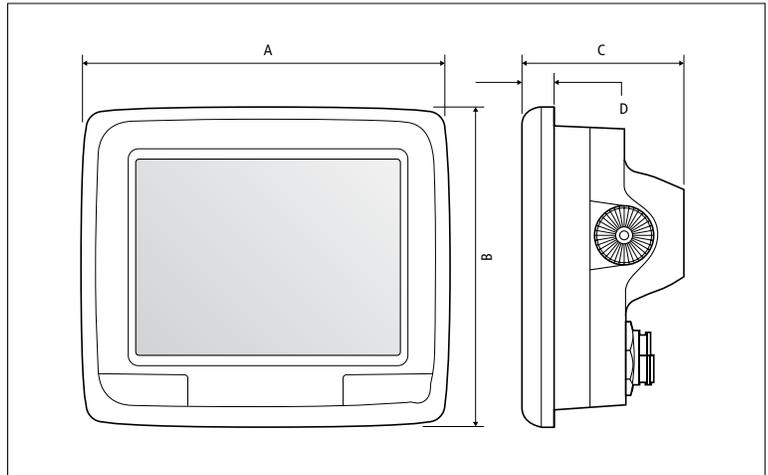
Optional built-in Wi-Fi. 802.11 b / g

Cartography:

a Series displays can be purchased with or without Navionics charts on microSD cards. Choose models with Navionics Silver or Navionics

Gold included. Also support for optional Navionics Platinum charts.

Specifications subject to change without prior notice.



	A		B		C		D	
a6 Series	6.45"	164mm	5.66"	144mm	2.79"	71mm	0.57"	14.5mm
a7 Series	8.07"	205mm	5.78"	147mm	2.89"	73.6mm	0.57"	14.5mm

Safety Notice

Raymarine products are intended to be used as aids to navigation and must never be used in preference to sound navigational judgement. Their accuracy can be affected by many factors, including environmental conditions, equipment failure or defects, and incorrect installation, handling or use. Only official government charts and notices to mariners contain all the current information needed for safe navigation, and the captain is responsible for their prudent use. It is the user's responsibility to use official government charts, notices to mariners, caution and proper navigational skill when operating any Raymarine product.

Content Note

The technical and graphical information contained in this brochure, to the best of our knowledge, was correct as it went to press. However, the Raymarine policy of continuous improvement and updating may change product specifications without prior notice. Therefore, unavoidable differences between the product and this brochure may occur from time to time, for which liability cannot be accepted by Raymarine.

Specifications

All specifications are subject to change without prior notice. Visit www.raymarine.com for the most up-to-date specifications. Some images are for illustration purposes only.

Trademarks

For a list of trademarks, please refer to our website www.raymarine.com.

Note: Equipment described herein may require US Government authorisation for export purposes. Diversion contrary to US law is prohibited.

FREE WARRANTY UPGRADE FROM 2 YEARS TO 3 YEARS

3

Raymarine offers a 2 year Limited Warranty (upgradable to 3 years upon product registration) on products installed in vessel use classifications within this brochure, full details of the Global Warranty Policy and how to register your products can be found at www.raymarine.com/warranty. If you require local assistance, please contact a Raymarine certified dealer near you, details of which can be found at www.raymarine.com/dealerlocator.

Raymarine Inc.
9 Townsend West, Nashua, NH 03063,
United States of America
T: 603.324.7900



www.raymarine.com

Raymarine[®]
A FLIR COMPANY