



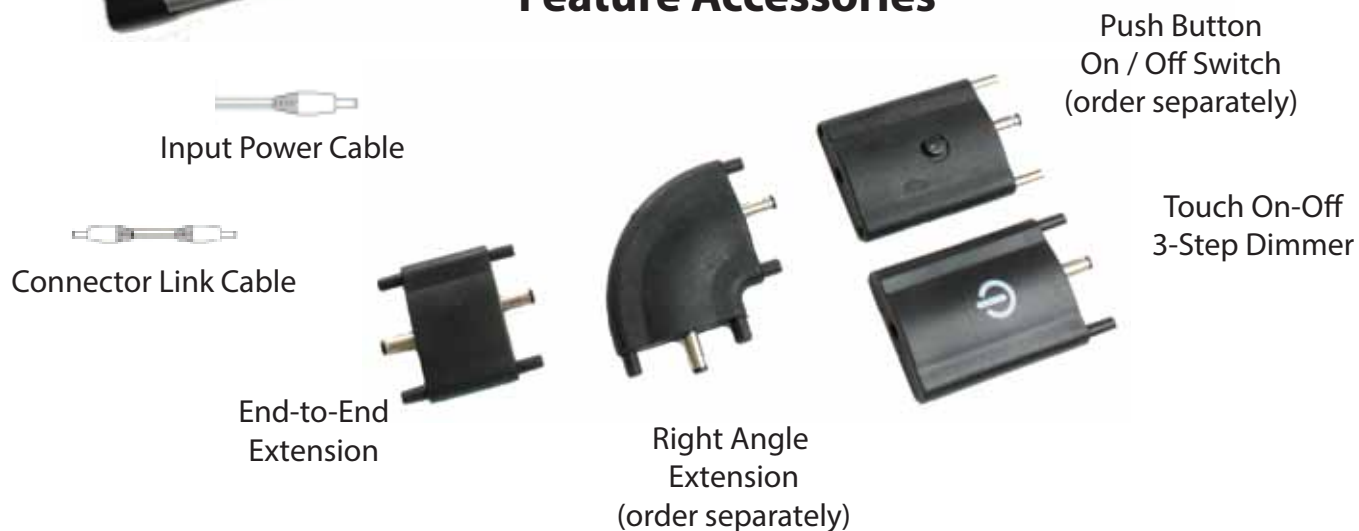
Preliminary Data Sheet

Part # LLB-32DW-01-00
LLB-32DW-01-AX
12VDC, 120 Degree, IP20
3000K Warm White
280 Lumen Output
4 Watt

Attractive Ultra Thin LED Light Bar



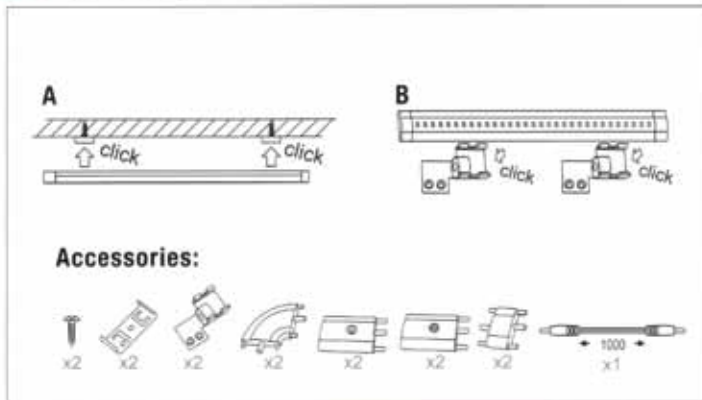
Feature Accessories



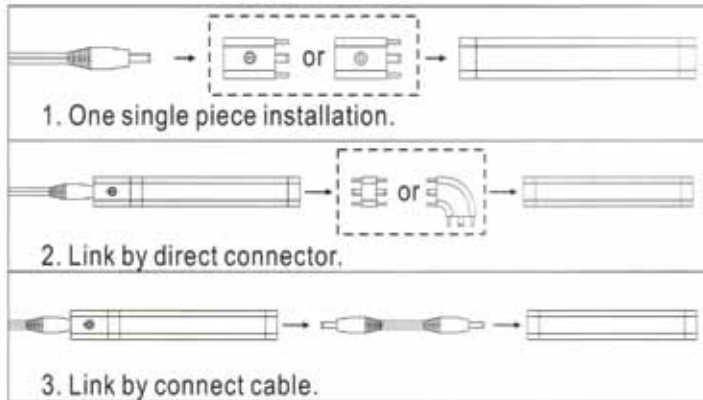
Slim and bright, that is what Lunasea Lighting delivers with it's newest addition. Ultra thin design is only 8mm thick. Includes versatile mounting accessories providing either low profile or adjustable mount. The LLB-32DW-01-AX can be purchased as an extension of the LLB-32DW-01-00 or as standalone unit without switch. There is a Maximum of 3 light bars end-to-end.

LLB-32DW-01-00 Includes: Light Bar, Touch Dimmer, Power Cable and both Mounting Solutions
LLB-32DW-01-AX Includes: Light Bar, Power Cable, End-to-End Extension and both Mounting Solutions

• **Installation:**



• **Linking Operation:**



Touch Switch Installed



End-to-End Connector



Right Angle Connector (optional)



Clips snap on (adjustable shown)



Adjustable Angle Mount Clips



Low Profile Mount Clips

PART NUMBERS

- LLB-32DW-01-00** Includes: Touch Switch, Flush & Adjustable Mount Clips, Power Input Cable
- LLB-32DW-01-AX** Includes: End-to-End Extension, Flush & Adjustable Mount Clips, Power Input Cable
- LLB-32DS-01-00 Push Button Switch
- LLB-32DT-01-00 Touch Switch
- LLB-32DA-0R-00 Right Angle Extension
- LLB-32DA-0E-00 End-to-End Extension
- LLB-32DA-0M-00 Low Profile Mount Clips
- LLB-32DA-0A-00 Adjustable Angle Mount Clips
- LLB-32DA-0P-00 Power Input Cable
- LLB-32DA-0C-00 Connector Link Cable