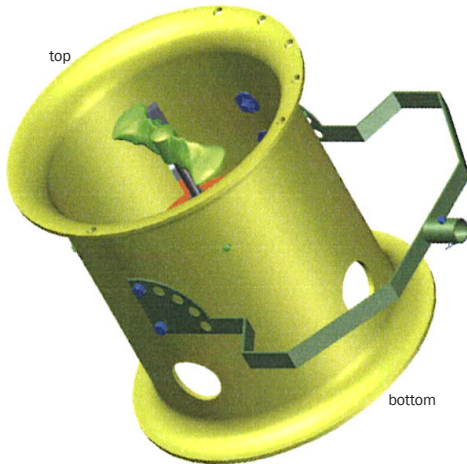


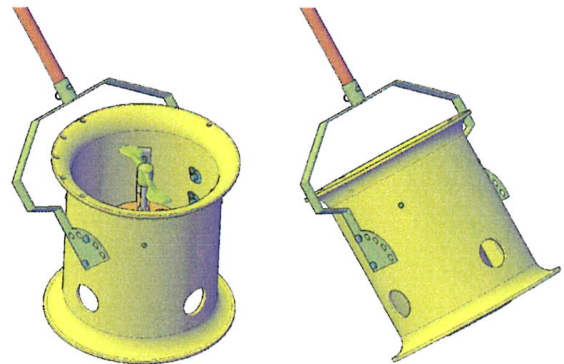
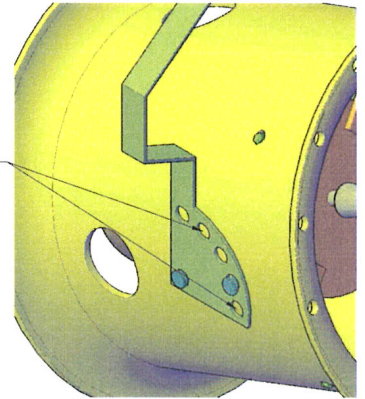
ICE EATER Dock Mount

Installation Instructions



Shroud Assembly

Use holes to adjust shroud angle for deck or pole mounting



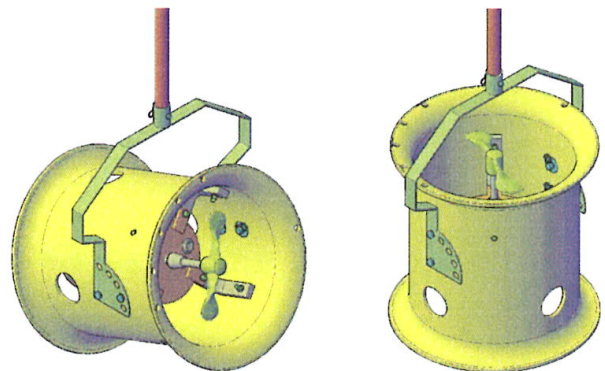
Multiple Angles for Dock Mount

Parts Included in Dock Mount Box

- (1) Shroud Assembly
- (1) Bale
- (1) $\frac{3}{8}$ " x 2" Clevis Pin & Clip
- (2) $\frac{1}{2}$ " x 1" Clevis Pin & Clip
- (4) $1\frac{1}{4}$ " Flat Washer
- (1) Tightening Handle
- (1) Base
- (3) $\frac{1}{2}$ " x $1\frac{1}{4}$ " Bolt
- (3) $\frac{1}{2}$ " Lockwasher
- (3) $\frac{1}{2}$ " Nut
- (1) Pipe Holder

What You Need to Provide

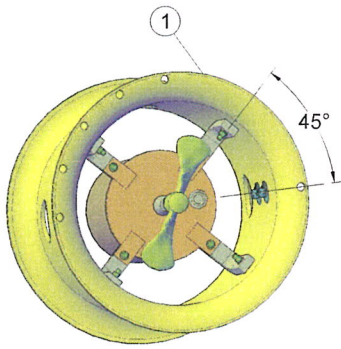
- $1\frac{5}{16}$ " galvanized or stainless steel pipe (max. length 6ft.)
- U-bolts or Lag Screws (for securing dock mount)



Multiple Angles for Pole Mount

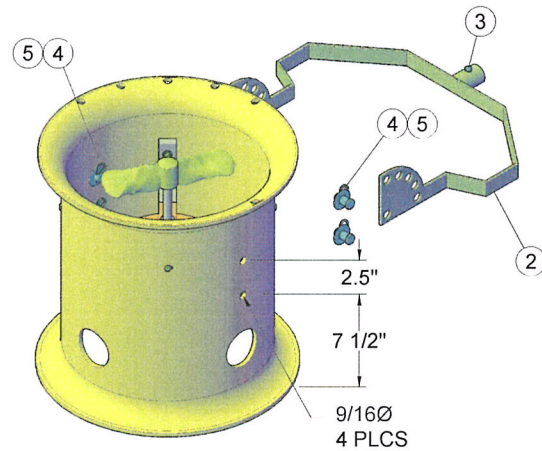
THE
POWER HOUSE
INC.

Instructions for Shroud Assembly



Step 1:

Locate holes to be drilled at 45° from motor brackets. A second set of holes will be directly across from the first set.



Step 2:

Drill first hole at 7 1/2" from the bottom of the shroud. Drill a second hole 2 1/2" vertically from the first hole. Use a 9/16" drill bit. After holes are drilled, attach bale to shroud using 1/2" clevis pins provided. Make sure the head of the celvis pin ends up on the outside of the shroud. Use washer & clip on the inside of the shroud.

Options for Dock or Pole Mounting

