



Data Sheet

Part # LLB-54xx-31-00

85-265VAC

Natural White (5000K)

10000 Lumen

80 Watt

80 WATT EXTREME BEAM SPOT LIGHT

Available in:
10, 20 & 40
Degree Beam



ADJUSTABLE STAINLESS
MOUNTING BRACKET



ADVANCED LED
COOLING TECHNOLOGY
FOR COMPACT DESIGN

COMPLETELY MACHINED ENCLOSURE, NOT CAST,
FOR BEST CORROSION RESISTANCE AVAILABLE

The new Lunasea 80W Spotlight Light produces the most extreme intensity that goes the distance.
The Brightest, Most Intense, Period!

Designed to project useful light at great distances, utilizing premier optics and the most intense LED module available today.

The tight beams of light enable crisp, intense beam making it ideally suited to replace high power Metal Halide lights.

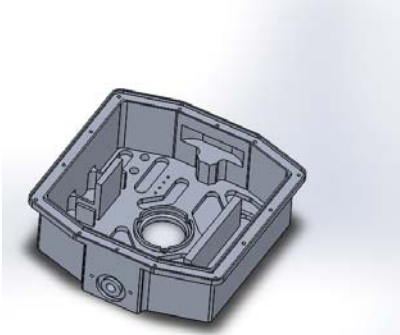
Active cooling technology keeps temperature under control even in the worst conditions. The enclosure is completely machined out of pure Marine Grade Aluminum and then hard anodized with stainless hardware to tackle even the most corrosive environment.



Active LED Cooling for superior cooling and extended product life

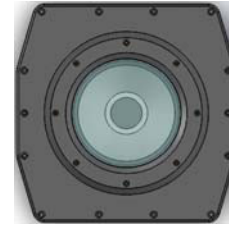
FEATURES

- Highest Intensity LED**
- 5052 Machined Aluminum (not cast)**
- Hard Anodized**
- Advanced Active cooling**
- Daisy Chain 2 units**
- Tempered Glass Lens**
- Encapsulated Internal UL Power Supply**
- Stainless Bracket**
- Gore Breather Vent**

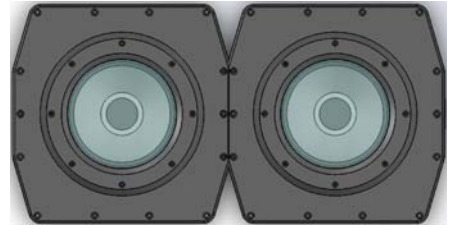


Machined using solid block of Marine Grade Aluminum for durability and corrosion free properties.

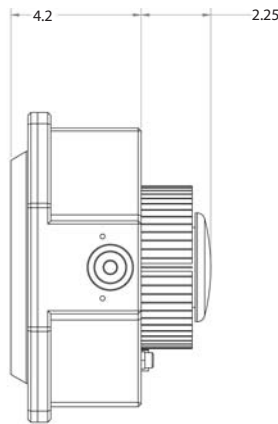
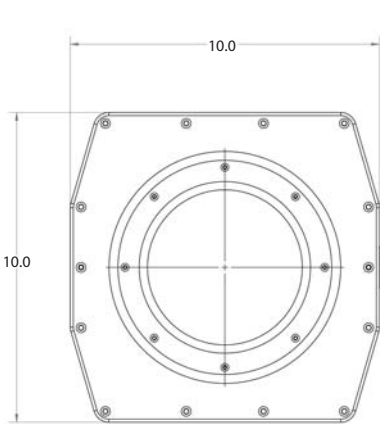
Fixtures sold in single, dual and triple configurations for up to 30,000 Lumen Output. Single power cable.



LLB-541x-31-00



LLB-542x-31-00



SPECIFICATIONS

Voltage Range:	85-265VAC
Light Output:	10000 Lumen
Beam Angle	Single (LLB-541x-31-00) Double (LLB-542x-31-00)
Color Temp:	Cool White, 75 CRI
LED	PHILIPS
Environment:	IP67
Enclosure:	Machined Marine Grade Aluminum
Bracket:	304 Stainless Steel
Wiring:	3 Wire
Wire Length:	6 Foot
Weight:	Approx 16 lbs

CONFIGURATION LEGEND

Replace "x" in part number to define lens beam angle. (beam in degree spread)

- x =**
- A = 10
 - B = 20
 - C = 40
 - D = 10-20
 - E = 10-40

