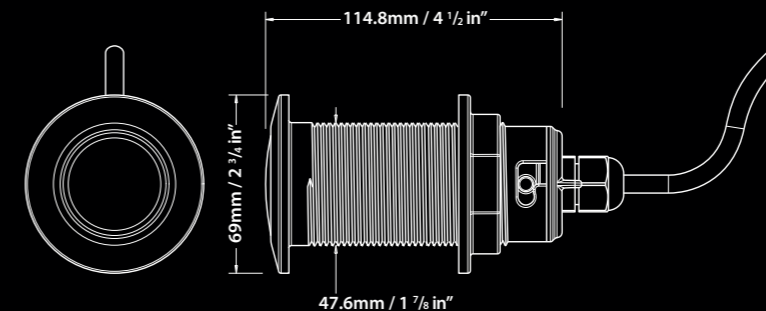




1 Series

Small boats can be just as bright as their larger counterparts with Aqualuma's 1 Series – a powerful range of bright lights for light craft.

Designed for tenders, ribs and smaller pleasure boats, the 1 Series is built from the same high-impact polymer material that Aqualuma has become famous for. The 1 Series is a very robust and affordable light, with easy installation and a current draw of less than 0.3 of an amp. The 1 Series is fully serviceable and upgradeable without the need for haul out and only requires a 12 or 24 volt DC power source. Available in Ultra Blue and Brilliant White, this product is recommended for boats up to 8 metres (28 feet). As part of the Thru-Hull Range, the 1 Series features Aqualuma's 6 year housing warranty with a 3 year warranty on internals.



Technical Specifications

- 3 year warranty
- 6 year housing warranty
- Internally driven (plug in module)
- Wide angle elliptical beam 12° x 50°
- Meets World EMI standard
- No lens seal to leak
- Very low DC power consumption
- Reverse polarity protected
- Draws less than 0.3 of an amp per light @ 12 volt
- Very low heat emission
- Can be operated out of the water
- Long life, high output LED light engine
- Patented, High-Tech chemically resistant polymer housing
- No bonding to anodes required
- Light engine will accept 12 or 24 volt dc power source
- Internally serviceable
- Easy and low cost 2-wire installation
- Each light comes with 2 metres (6 feet) of tinned cable
- External ignition protection

Brilliant White

- Color temperature 9000 to 10000 degrees Kelvin (the colder the white the further it travels in water)
- Fixture Lumens : 175 lm
- Fixture Lumens Lowlight Conditions : 400 lm



Ultra Blue

- Color temperature 470nm (the color that travels further in salt water than any other)
- Fixture Lumens : 50 lm
- Fixture Lumens Lowlight Conditions : 870 lm

