



MSW10

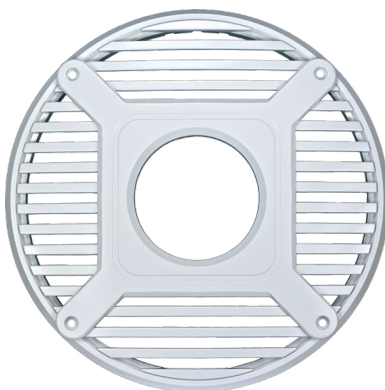
Universal Subwoofer

Features:

- 500 watts (250W RMS)
 - Sealed Design
 - Speaker impedance: 3.2 ohms
 - Magnet Weight: 40.7 oz.
 - Matt Black PP cone
 - Black Ferrite magnet
 - Santoprene surround
 - Nickel plated copper terminals and insulated tinsel leads
 - Meets ASTM B117 salt/fog testing specifications
 - 9" mounting hole
 - 4.8" mounting depth
-
- Optional LED lit kit available (UMSW1000LK1- Blue or White)



RG10SS



RG10HW



RG10SB



Selectable
Blue or White
LED Light Kit

UMSW1000LK1

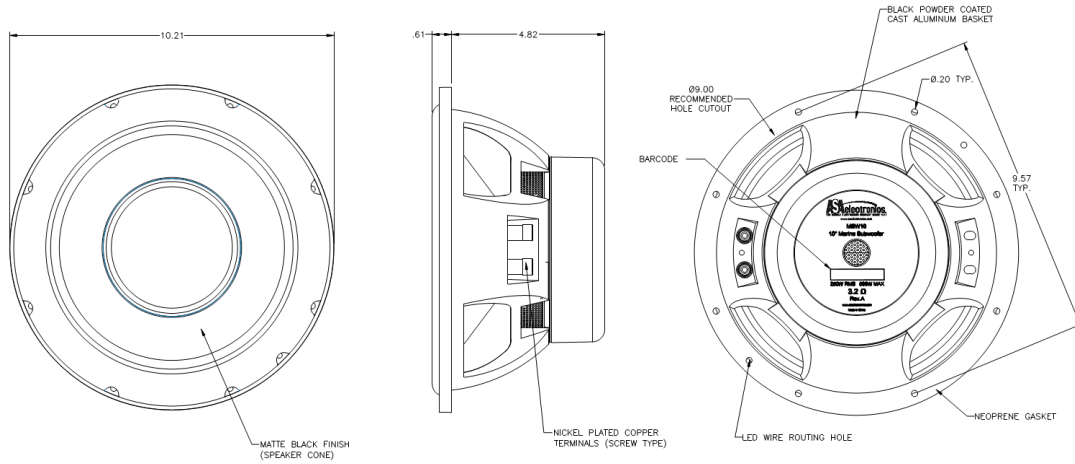
asa
ELECTRONICS™
2602 Marina Drive · Elkhart, IN 46514
www.asaelectronics.com

MARINE ENTERTAINMENT



MSW10

Universal Subwoofer



Specifications:

General Specifications:

Woofers Size	10"	
Woofers Material	Poly-propylene	
Surround Material	Rubber	
Voice Coil Size	2"	
Magnet Weight	40.7 oz	
Mounting Depth	4.83"	
Hole Size	9"	
Impedance	3.2 Ω	
Temperature Range	-30°C - 70°C	-22°F - 158°F
Max RH	100%	
Terminal Size	Accepts up to 8AWG	

Performance Specifications:

Frequency Response	20 Hz – 1 KHz	
RMS Power Range	250 W	
Max Power	500 W	
SPL @ 1 W/ 1 M	85 dB	
Resonant Frequency	31 Hz	



2602 Marina Drive • Elkhart, IN 46514
www.asaelectronics.com