

# FM SERIES SUBWOOFERS



---

## FLUSH MOUNT MARINE SUBWOOFERS

FM-S10RW / FM-S10RB / FM-S10SW / FM-S10SB - 400 WATT

# FM SERIES SUBWOOFERS

FLUSH MOUNT  
MARINE SUBWOOFERS

**FUSION**<sup>®</sup>  
A Garmin Brand

## FM SERIES SUBWOOFERS



### PRODUCT OVERVIEW

Introducing the new FM Series Flush Mount marine subwoofers, engineered to deliver high-quality bass to your vessel in a sleek and minimalistic form factor to meet the latest boat design trends. The FM Series are designed to be flush mounted with a mounting flange of only 3mm, for a near flat finish.

Available as a round or square subwoofer, they come in two colors (white and black) to match the aesthetics of any vessel. With an impressive 400 Watt peak power output, they will add another dimension to your onboard audio entertainment experience.

#### QUALITY AUDIO REPRODUCTION

Enjoy Fusion's trademark quality audio reproduction with the FM Series marine subwoofers. Built for versatility and ease of integration, you have the option of creating a 2.1 audio zone to simplify installation and reduce your system cost with an easy way to add bass on board. Simply connect a pair of FM Series speakers and a FM Series subwoofer directly to your 2 Ohm stereo stable Fusion Multi-Zone stereo with built-in DSP, configure the DSP and enjoy high quality bass without the need for an external amplifier.

#### AESTHETICS TO MEET THE LATEST BOAT DESIGN TRENDS

Designed with a minimalistic, clean look, the FM Series subwoofers will fit nicely on a range of different modern boat designs. The low profile, near flat installation allows for a visually appealing finish never before seen on a marine subwoofer. Available as a round or square subwoofer with two color options (white and black), the FM Series subwoofers will match the aesthetics on any vessel.

#### DESIGNED TO COMPLY WITH ISO12216

Allowing boat designers and manufacturers to be ISO12216 (D1.1 for Areas II, III & IV - European Requirement) compliant, the FM Series subwoofers have passed stringent strength and watertightness tests. This is critically important as it limits their liability in the event of an accident and they are installing a genuinely safe subwoofer system on customers' boats.

By complying with the requirements of ISO12216 (D1.1 for Areas II, III & IV), it recognizes that Fusion subwoofers are built to the highest industry standards in terms of quality and robustness. Our subwoofers are the world's first marine subwoofers designed specifically to meet the requirements of ISO12216 - this is a testament that Fusion is at the forefront of product engineering and design.

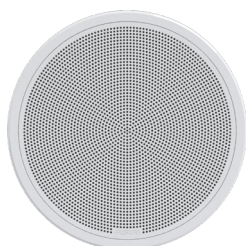
#### NEW INNOVATIVE MOUNTING SYSTEM

The FM Series subwoofers features a completely new mounting system for non-intrusive, easy installation. Simply place the subwoofer in the cutout (recommend to apply marine sealant to the flange for a watertight seal), tighten the screws and the subwoofer legs will tighten against the panel, keeping the subwoofer in place - without creating any screw holes to your vessel.

#### TRUE-MARINE™ PHILOSOPHY

Fusion's True-Marine design philosophy stems from our experience confronting the harsh marine environment. By designing and engineering from the ground up specifically for real world boating applications, our customers are assured that the equipment they fit into their vessel will deliver quality entertainment season after season - the FM Series subwoofers come with a 3 year warranty.

### PRODUCT IMAGES



# FM SERIES SUBWOOFERS

FLUSH MOUNT  
MARINE SUBWOOFERS



## KEY FEATURES

The **FM Series Flush Mount marine subwoofers**, with its innovative technology and design, offers an acoustically optimized audio entertainment experience, featuring:

### KEY FEATURE



The FM Series has a low profile, flush mount design with a near-flat installation (mounting flange of only 3mm) for a visually appealing finish.

### KEY FEATURE



The FM Series have passed stringent strength and watertightness tests. This is critically important as it ensures the boat builders and consumers alike are installing a genuinely safe speaker system. By achieving ISO12216, it is a recognition of the FM Series superior design and build quality.



Fusion's True-Marine design philosophy stems from our experience confronting the harsh marine environment. By designing and engineering from the ground up specifically for real world boating applications, our customers are assured that the equipment they fit into their vessel will deliver quality entertainment season after season.



10" diameter subwoofer



Rated IP65 for water and dust ingress protection, while also meeting industry standards for UV and salt fog protection. Enjoy confidence that your FM Series will last season after season in the harsh marine and outdoor environment.



400 W peak power output



4 Ohm impedance



Professional sound quality for a world-class entertainment experience

## FM SERIES SPEAKERS



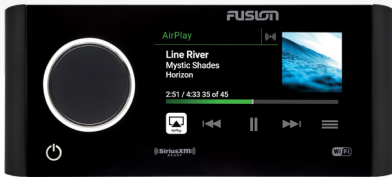
### FM SERIES SPEAKERS

FM-F77RW	SKU 010-02300-00	FM-F65RW	SKU 010-02299-00
FM-F77RB	SKU 010-02300-01	FM-F65RB	SKU 010-02299-01
FM-F77SW	SKU 010-02300-10	FM-F65SW	SKU 010-02299-10
FM-F77SB	SKU 010-02300-11	FM-F65SB	SKU 010-02299-11

Matching FM Series marine speakers are also available to deliver high-quality acoustics to your onboard audio entertainment experience.

**PRODUCT COMPATIBILITY**

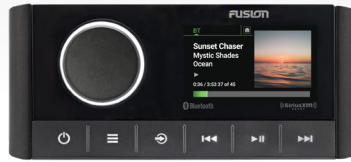
**STEREOS**



**APOLLO 770**

MS-RA770 | SKU 010-01905-00

Through creative design and technological brilliance, a purpose-built marine audio entertainment system featuring many world-firsts has been created, including many innovations you are used to at home. Tap and swipe your way intuitively through your playlists with the glass touchscreen display, even with wet fingers, and enjoy high quality music all day long with Wi-Fi streaming using Apple AirPlay<sup>®</sup> or UPnP.



**APOLLO 670**

MS-RA670 | SKU 010-02138-00

Award-winning innovation re-embodied, the new Apollo RA670 features Fusion's DSP technology, PartyBus<sup>™</sup>\* capability, over-the-air software updates\*, Wi-Fi audio streaming\*, Multi-Zone<sup>™</sup> technology in up to 3 Zones, optical audio input, Fusion-Link<sup>™</sup> integration, and an optically bonded 2.7" color display - the RA670 is truly a powerful extension of the Apollo Series.

(\* ) When connected to a wireless router or integrated into a Wi-Fi enabled Apollo Series stereo network.



**APOLLO SRX400**

MS-SRX400 | SKU 010-01983-00

For convenience without compromising on quality. The premium design, engineering and powerful feature set of the Apollo Series is combined in a compact, versatile form factor in the SRX400. Featuring DSP technology, PartyBus<sup>™</sup> capabilities, over-the-air software updates, built-in Wi-Fi, and an optically bonded 2.7" color display.



**755 SERIES**

MS-UD755 | SKU 010-01359-00  
MS-AV755 | SKU 010-01881-00

The 755 Series embodies the very definition of Fusion's True-Marine<sup>™</sup> and customer-centric design philosophy. The 755 Series features full Fusion-Link<sup>™</sup> integration, Multi-Zone<sup>™</sup> technology in up to 4 Zones, built-in Class-D amplifier, and an optically bonded color display.



**70 SERIES**

MS-RA70 | SKU 010-01516-00  
MS-RA70N | SKU 010-01516-11  
MS-RA70NSX | SKU 010-01881-30

The 70 Series is Fusion's sleekest value-packed marine stereo in a DIN sized form factor. The 70 Series features Fusion-Link<sup>™</sup> integration, Multi-Zone<sup>™</sup> technology in up to 2 Zones, and SiriusXM-Ready (RA70NSX only).



**BLACK BOX**

MS-BB300R | SKU 010-01290-20  
MS-BB100 | SKU 010-01517-01

When space is a premium at the helm, a compact audio entertainment solution is required. With Fusion Black Boxes, there is no need to compromise on performance or quality.

**AMPLIFIERS**



**SIGNATURE SERIES**

SG-DA12250 | SKU 010-01970-00  
SG-DA41400 | SKU 010-01969-00  
SG-DA51600 | SKU 010-01968-00  
SG-DA61500 | SKU 010-02161-00  
SG-DA82000 | SKU 010-02162-00

Fusion's most stunning, efficient and powerful marine amplifiers for the ultimate audio experience.

**LEGAL INFORMATION**

©2019 Garmin Ltd. or its subsidiaries. All rights reserved. Garmin International, Inc., 1200 East 151st Street, Olathe, Kansas, 66062, U.S.A. Garmin (Europe) Ltd., Liberty House, Hounsdown Business Park, Southampton, Hampshire, SO40 9LR, U.K. Garmin (Asia) Corporation, No.68, Zhongshu 2nd Rd., Xizhi Dist., New Taipei City 221, Taiwan (R.O.C.). Garmin, the Garmin logo, the Garmin delta and Fusion are trademarks of Garmin Ltd. or its subsidiaries and are registered in one or more countries. True-Marine and The Marine Entertainment Standard are trademarks of Garmin Ltd. or its subsidiaries. Specifications and design are subject to change without notice. Garmin Ltd. or its subsidiaries offers a limited Three Year Warranty on this product. Visit www.fusionentertainment.com for full warranty terms and conditions. All other trademarks and service marks mentioned herein, including company names, product names, service names and logos, are the property of their respective owners and their use herein does not indicate an affiliation with, association with, or endorsement of or by Garmin Ltd.

# FM SERIES SUBWOOFERS

FLUSH MOUNT  
MARINE SUBWOOFERS



## TECHNICAL SPECIFICATIONS

		FM-S10RW / FM-S10RB	FM-S10SW / FM-S10SB
General	Subwoofer Size	10"	10"
	Peak Power (Watts)	400	400
	RMS Power Rating (Watts)	120	120
	Efficiency (1W/1M)	87dB	87dB
	Frequency Response	30Hz – 2kHz	30Hz – 2kHz
	Impedance	4 Ohms	4 Ohms
	Recommended Amplifier Power (RMS)	40 – 300 W/Ch	40 – 300 W/Ch
	Cone and Surround Material	Polypropylene with rubber surround	Polypropylene with rubber surround
	Water Resistance (IP rating)	IP65	IP65
Installation	Mounting Diameter Clearance	269mm (10-9/16")	269mm x 269mm (10-9/16" x 10-9/16")
	Mounting Depth Clearance	140mm (5-1/2")	140mm (5-1/2")
	Optimum Enclosure Volume*	40 L	40 L
Support	Warranty	3 years	3 years

(\*) Sealed enclosure, fully filled with absorption material

## 2.1 CONFIGURATION



Create a 2.1 audio zone by connecting two speakers and a subwoofer directly to a Fusion Multi-Zone stereo with DSP, like our Apollo RA770 stereo, without the need to use an external amplifier.

Simply connect a pair of FM Series speakers to the Zone 1 speaker connections, and FM Series subwoofer to the left and right speaker connections of Zone 2.

Then using the Fusion-Link app, select the applicable DSP profile for easy setup, and a cost-effective way to add bass on board.

DSP Configuration from Fusion-Link™ App

Note: This 2.1 system only works for a 2 Ohm stable system.

## GIFT BOX DIMENSIONS



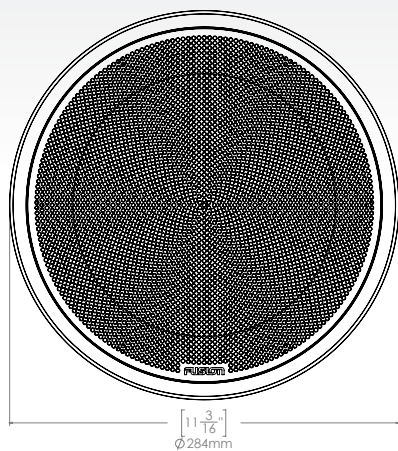
(W) 324mm [12-3/4"]  
(H) 321mm [12-5/8"]  
(D) 82mm [3-1/4"]

## PRODUCT CODES

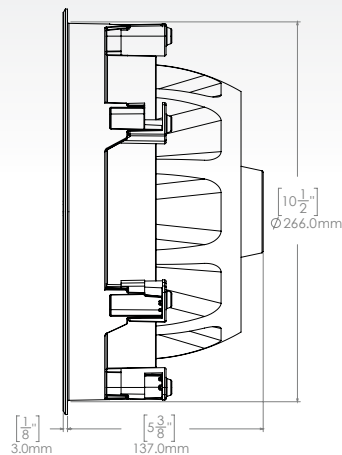
FUSION CODE	GARMIN PN	EAN-13 BARCODE
FM-S10RW	010-02301-00	0753759236700
FM-S10RB	010-02301-01	0753759236717
FM-S10SW	010-02301-10	0753759236724
FM-S10SB	010-02301-11	0753759236731

TECHNICAL DRAWINGS

FM-S10RW / FM-S10RB

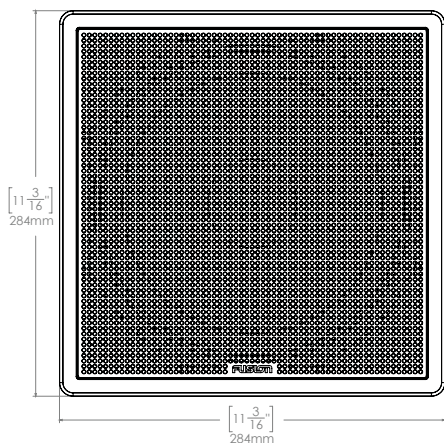


Front view

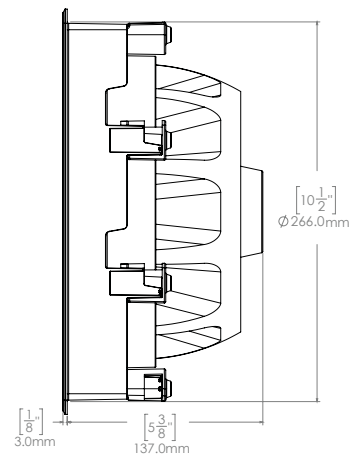


Side view

FM-S10SW / FM-S10SB



Front view



Side view

MARKETING RESOURCES

Visit

[RESOURCES.FUSIONENTERTAINMENT.COM/MARINE](http://RESOURCES.FUSIONENTERTAINMENT.COM/MARINE)

Visit the **Resource Centre** and get the latest articles, marketing assets, industry news and more.



Logos  
Product images  
Merchandising

Line drawings  
Web banners  
Posters

Brochures  
Catalogues  
NPRs