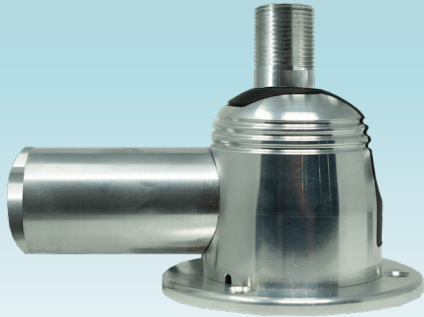




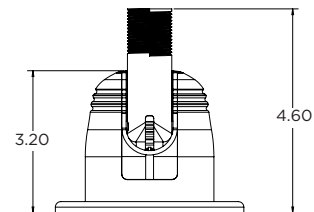
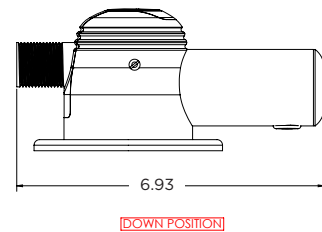
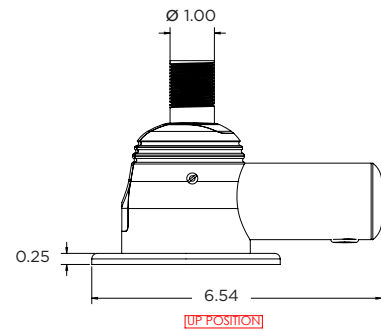
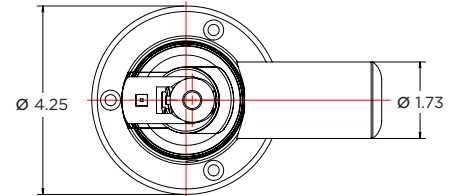
GRAND SLAM 850 ELECTRIC VHF ANTENNA MOUNT



Introducing the all new Grand Slam 850 Electric VHF Antenna Mount! Designed with safety and innovation in mind, boaters can adjust the position of their VHF antenna with the simple push of a button from the comfort of their helm. The GS-850 is a fully electric unit with hidden wires inside the hardtop. This mount easily installs to the surface of the hardtop and fits all top thicknesses.

GS-850 FEATURES & BENEFITS

- Standard 1"-14 thread (male) shaft to accept standard VHF antennas
- No under-mount clearance required
- Machined / Anodized aluminum body with a light brushed finish
- Threaded shaft for consistent lift and descent
- Delrin bearings for smooth operation
- Features removable set screw for manual adjustment
- Kit includes drill template and installation instructions
- Includes 10" lead for 12-volt DC power supply for lift and descent
- Accepts 3A fuse in the main +12 VDC power feed (not included)
- Sold individually
- Made in the USA
- 1-year limited warranty



w tacomarine.com | ph 800.653.8568 | e info@tacomarine.com



PART NUMBER	DESCRIPTION	WEIGHT	UNIT	CoO	STD. PK.	UPC
GS-850	Grand Slam 850 Electric VHF Antenna Mount	2.1 lbs	Each	USA	2	630997089933