



# ACR Emergency Signaling



## C-Strobe™ with C-Clip

A super-bright Xenon strobe flashes 60 times per minute for superior emergency signaling that is visible for up to 2 miles (3.2 km). The slim, lightweight design keeps it out of the way until needed, and the supplied C-Clip adapter for life jackets grips snugly around most oral inflation tubes. Supplied steel clip and Velcro® strap provide additional mounting options on backpacks and webbing.

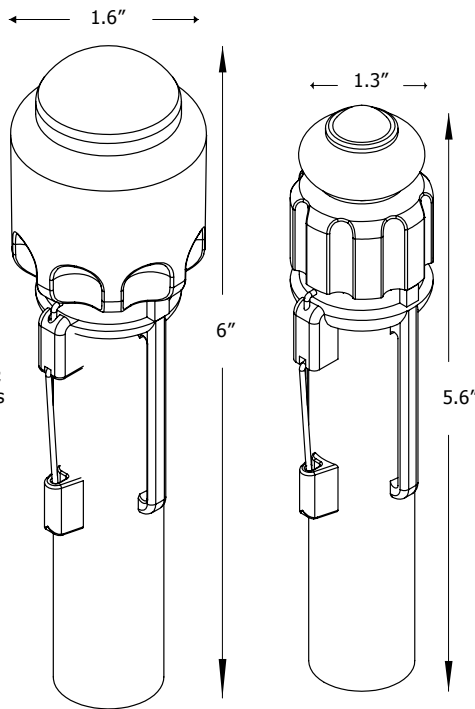


## C-Light™ with C-Clip

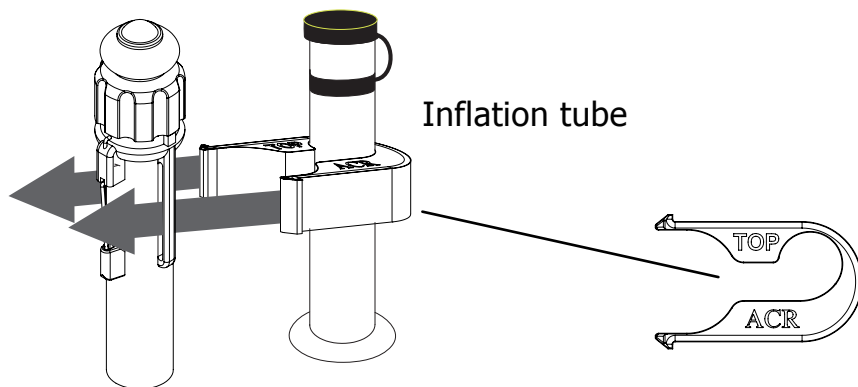
The C-Light is designed to meet the demands of the sea, but is a reliable, multi-purpose light whenever efficient lighting is needed. Equipped with a multi-faceted refracting lens, the C-Light creates a twinkling effect perfect for signaling and is visible for up to 2 miles (3.2 km). Comes with a C-Clip adapter for life jackets, as well as steel clip and Velcro® strap for mounting flexibility.

## SPECIFICATIONS

Product Number	3959 Carded 3958 Bulk
Size	6 x 1.6" (15.2 x 4.1 cm)
Weight	2.6 oz ( 71 g) without batteries
Material	Rugged, impact and temperature resistant ABS
Operational Life	More than 8 hrs @ 30°F (-1° C)
Waterproof	Waterproof and corrosion resistant
Lamp	Xenon flash tube
Beam Angle	Omnidirectional 360°
Flash Rate	60 flashes per minute ± 10 for 4 hours; rate slows to 20/min during last 4 hours
Visibility	High intensity strobe light is visible for up to 2 miles (3.2 km)
Battery	2 "AA" alkaline or 1.5 lithium (sold separately)
Certification:	USCG 161.012/41/0; CE
Accessories	C-Clip Rescue Light Adapter for Inflatable PFDs (P/N 9433)
Limited Warranty	1 year



Product Number	3355 Carded 3354 Bulk
Size	5.6 x 1.3" (14.3 x 3.2 cm)
Weight	1.3 oz. (37 g) without batteries
Material	Rugged, impact and temperature resistant ABS
Operational Life	More than 8 hrs @ 30°F (-1°C)
Waterproof	Waterproof and corrosion resistant
Beam	Lens simultaneously focuses a beam of light straight ahead and a ring of light all around
Visibility	Intense incandescent light visible for up to 2 miles (3.2 km)
Lamp	Incandescent
Battery	2 "AA" alkaline or 1.5 lithium (sold separately)
Certification	USCG 161.012/36/0; CE
Accessories	C-Clip Rescue Light Adapter for Inflatable PFDs (P/N 9433)
Limited Warranty	1 year



For further information please contact:

**ACR Electronics, Inc.**  
5757 Ravenswood Road  
Fort Lauderdale, FL 33312

Tel: (954) 981.3333  
Fax: (954) 983.5087  
Email: sales@acrartex.com