

# Compass Transducer



Tacktick Limited  
22 North Street, Emsworth,  
Hampshire, PO10 7DG, England  
Tel. +44 (0)1243 379331  
Fax. +44 (0)1243 379199  
www.tacktick.com

## Tools Required

1. 3.0mm Drill Bit
2. Power Drill
3. Cross Head Screwdriver

## Parts List

1. Compass Transducer
2. Mounting Screws (2 off)

## Precautions

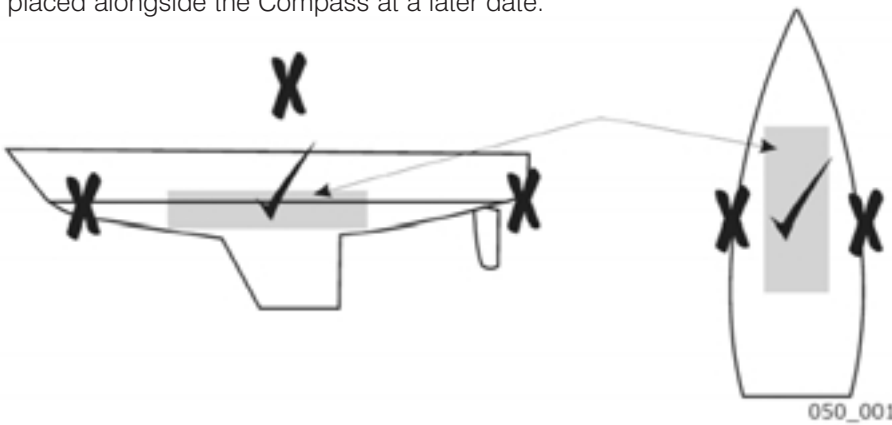
The Fluxgate Compass will be affected by magnetic objects and should be mounted at least 1m (3ft) clear of pumps, loudspeakers, motors, the keel, and other ferrous metal objects.

The Compass Unit is gimballed internally and **MUST** be mounted vertically. Take care with ferrous keels as these may hold a strong magnetic field.

## Positioning Advise

Optimum mounting for the Fluxgate Compass is close to the centre of pitch and roll of the vessel. Try to avoid areas of the vessel which are subjected to acceleration due to pitch and roll.

Avoid mounting the Compass in storage areas where magnetic items may be placed alongside the Compass at a later date.

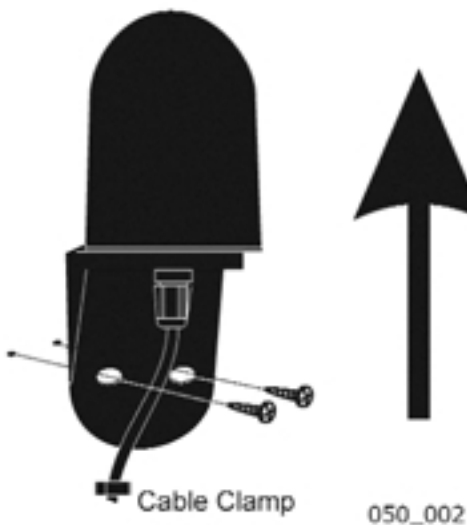


## Installation Method

1. Select a suitable mounting position, checking for magnetic influence by using a hand bearing compass.
2. Mark the position and drill two 3mm holes in a vertical bulkhead surface.
3. Attach the Compass Transducer to the bulkhead using the two screws provided.
4. Secure the cable with a clamp close to the Transducer and route to the Hull Transmitter. Cut the cable to the required length only when you are certain that the mounting position is acceptable.

NOTE: If alternative mounting screws are used ensure that they are brass or stainless steel to prevent magnetic disturbance.

5. Connect the cables into the Hull Transmitter following the colors displayed on the connector strip.



## What Next

Refer to the instrument handbook for details on calibration and alignment.