

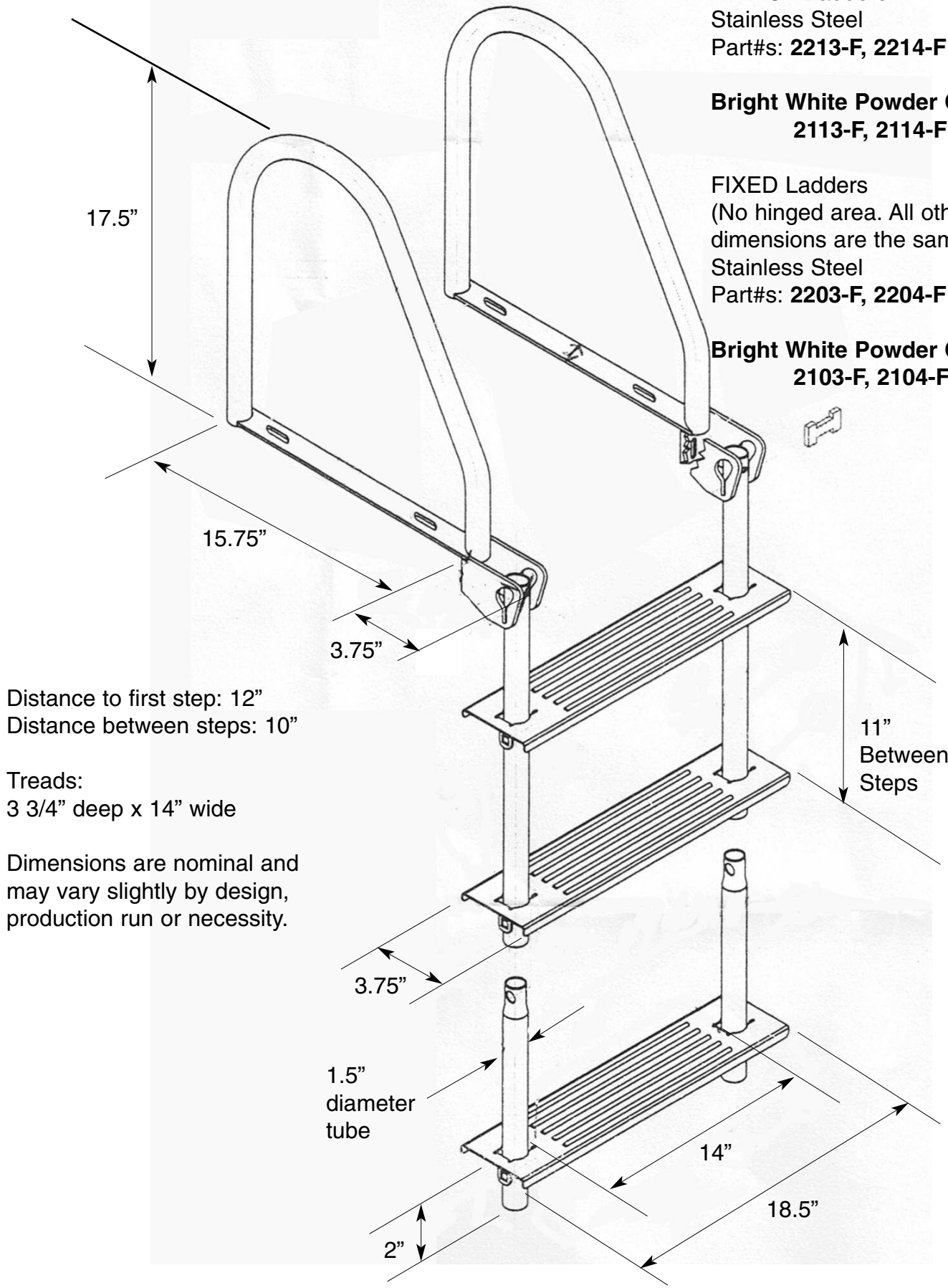
## Dimensions for:

FLIP-UP Ladders  
Stainless Steel  
Part#: 2213-F, 2214-F & 2215-F

Bright White Powder Coated  
2113-F, 2114-F & 2115-F

FIXED Ladders  
(No hinged area. All other dimensions are the same)  
Stainless Steel  
Part#: 2203-F, 2204-F & 2205-F

Bright White Powder Coated  
2103-F, 2104-F & 2105-F



Distance to first step: 12"  
Distance between steps: 10"

Treads:  
3 3/4" deep x 14" wide

Dimensions are nominal and may vary slightly by design, production run or necessity.