

IMPORTANT SAFETY INFORMATION

* **This symbol is to alert you to important operating or servicing instructions that appear in your instructions. Always follow basic safety precautions when using this product to reduce the risk of injury, fire or electric shock.**

* This light is for off road and utility use only. It is not designed for road use as a driving light.

TEN YEAR LIMITED WARRANTY

Golight, Inc. warrants the GXL™ against any deemed defects that are due to workmanship for parts or faulty materials, for ten years from date of original purchase. This warranty to the GXL™ does not cover damage resulting from unreasonable use or misuse, unreasonable maintenance or loss, or labor costs.

Warranty information may be filled out online at:
www.golight.com/products/registration.html

If the GXL™ does fail to operate under warranted specification, send the light, and all necessary accessories postage paid, plus \$9.95 for shipping and handling to Golight, Inc., Service Department, 37146 Old Hwy 17, Culbertson, NE 69024. No C.O.D.'s accepted. Only the above manufacturer is authorized to perform warranty repair or replace product.

Any consequential damages to person or property are excluded from this warranty. Some states do not allow the exclusion and limitation of incidental or consequential damages, therefore, the above limitations or exclusions may not apply to you. This warranty gives you specific legal rights and you may also have other rights.

Golight Inc

37146 Old Hwy 17
Culbertson, NE 69024
800.557.0098 | 308.278.3131
www.golight.com | info@golight.com



Instruction Guide

Congratulations

You are now the owner of one of the finest lighting products available today. Thank you for letting Golight® assist you in your lighting application needs.

We're proud of our products and the technology that we've developed to ensure our customers the most durable, versatile and powerful lights in the industry.

Please read these instructions before using your new Golight® GXL.



The GXL is an LED, fixed-mount work light offering incredible intensity and durability in a small package. Utilizing the latest in LED, lens and reflective technology, the GXL casts light where you need it.

Contents:

Bracket to mounting surface hardware:

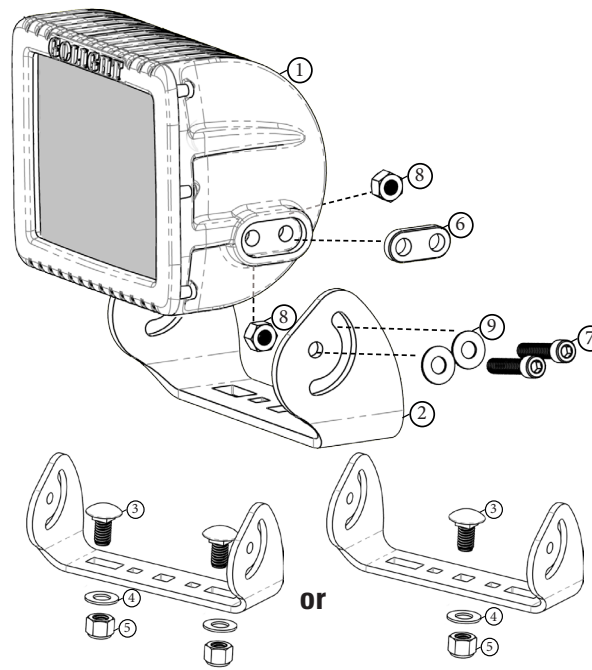
- 1. Qty. 1: GXL light head with 3ft., 2 wire power lead
- 2. Qty. 1: Mounting bracket
- 3. Qty. 2: 3/8" x 1 1/4" carriage bolts
- 4. Qty. 2: Large flat washers
- 5. Qty. 2: 3/8 in. lock nuts

Bracket attachment hardware:

- 6. Qty. 2: Spacers
- 7. Qty. 4: 1/4" x 1/8" socket head cap screws (allen screws)
- 8. Qty. 4: Locknuts
- 9. Qty. 4: Small flat washers

Mounting / Installation:

- 1. Determine a suitable mounting location for the light.
- 2. Once a location has been decided upon, use the mounting bracket as a template to mark appropriate bolt-hole locations—note that the vertical adjustment channel on the bracket indicates the posterior side of the bracket/light(refer to diagram).
- 3. The GXL can be mounted using one or both of the provided carriage bolts. If future adjustment along the horizontal access is desired, the light should be affixed using one bolt inserted through the center mounting hole. If the light is to remain static along the horizontal axis, both bolts should be used to affix the light and should utilize the holes nearest the vertical arm on the either side of the mounting bracket.



- 4. Drill mounting holes using a 7/16" drill bit.
**Before attaching the mounting bracket to the surface, attach the mounting bracket to the GXL:
- 5. When attaching the mounting bracket to the GXL, the included oval spacers must be installed between the bracket and GXL to ensure a proper fit.
- 6. After inserting the spacers into their receptacle on the right and left lateral of the GXL(refer to diagram) the arms of the mounting bracket can be positioned over the spacers with the pivot hole and vertical channel aligned with the corresponding attachment holes.

7. The mounting bracket should be affixed using the allen screws and lock nuts provided. Slide the inward facing lock nuts into the channels molded into the heat sink on the back of the light. The channels are molded in such a manner that no tool is required to hold the nut in place while tightening.

8. Insert the allen screws through the holes and thread them into their corresponding nut.

9. After attaching the mounting bracket to the GXL align the bracket with the pre-drilled hole/holes and affix the unit with the supplied carriage bolt/bolts.

10. Adjust GXL to desired position and tighten all hardware.

Wiring Procedure and Power Requirements:

- 1. Extend the red (+) wire to a customer supplied on/off switch
- 2. Extend another wire from the on/off switch to the positive (+) terminal of the vehicle battery. Installation of an in-line 7-10 amp fuse is recommended.
- 3. Extend the black (-) wire to the negative (-) terminal of the vehicle battery or to a solid chasis ground.
- 4. Please take note that appropriately sized (awg) must be installed according to the length of wire and the necessary capacity. The GXL will draw 5.5 amps (nominal) at 12V DC and 2.5 amps (nominal) at 24V DC. The GXL will accept voltage between 9V-36V DC.