



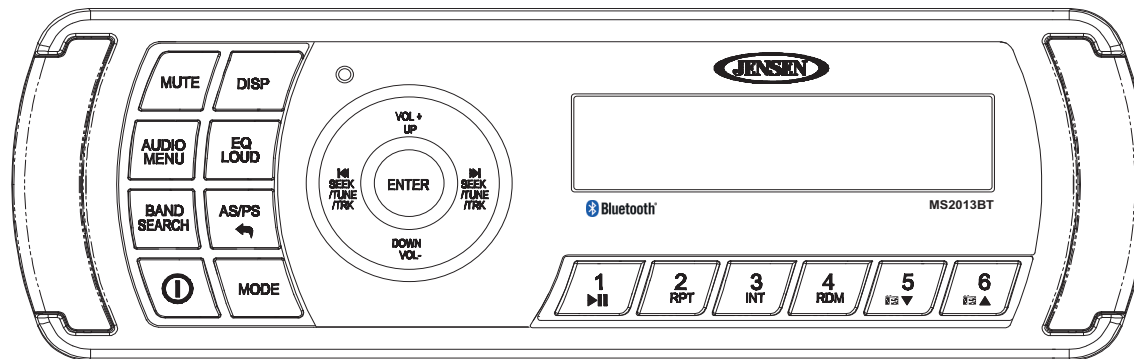
M A R I N E

MS2013BT

MARINE AUDIO SYSTEM

Installation and Operation Manual

Manual de la Instalación y Operación / Guide d'installation et d'opération



CONTENTS

Important Safety Instructions 1
 Introduction 2
 Installation 3
 Wiring 4
 Basic Operation 5
 Tuner Operation 7
 MP3/WMA Operation 8
 iPod Operation 9
 Bluetooth Operation 10
 Care and Maintenance 12
 Troubleshooting 12
 Specifications 13

CONTENIDO

Importantes Instrucciones de Seguridad 15
 Introducción 16
 Instalación 17
 Cableado 18
 Operación Básica 19
 Operación de Sintonizador 21
 Operación de MP3/WMA 22
 Operación de iPod 23
 Operación de Bluetooth 24
 Cuidado y Mantenimiento 26
 Resolución de Problemas 26
 Especificaciones 27

TABLE DES MATIÈRES

Consignes de securite importante 29
 Introduction 30
 Installation 31
 Wiring 32
 Operation de base 33
 Operation Tuner 35
 Operation MP3/WMA 36
 OPération iPod 37
 Operation Bluetooth 38
 Soin et Maintenance 40
 Depannage 40
 Specifications 41

Copyrights and Trademarks

iPhone, iPod, iPod classic, iPod nano, iPod shuffle, and iPod touch are trademarks of Apple Inc., registered in the U.S. and other countries.

Derechos de Autor y Marcas Registradas

El iPhone, iPod, iPod classic, iPod Nano, iPod Shuffle, y el tacto de iPod son marcas registradas de Apple Inc., registradas en los E.E.U.U. y otros países.

Droits d'auteur et Marques Déposées

iPhone, iPod, iPod classic, iPod nano, iPod shuffle, et iPod touch sont les marques déposées d'Apple Inc., enregistrées aux Etats-Unis et en d'autres pays.

IMPORTANT SAFETY INSTRUCTIONS

1. Read these Instructions.
2. Keep these Instructions.
3. Heed all Warnings.
4. Follow all instructions.
5. Do not use this apparatus near water.
6. Clean only with a dry cloth.
7. Do not block any ventilation openings. Install in accordance with the manufacturer's instructions.
8. Do not install near any heat sources such as radiators, heat registers, stoves, or other apparatus (including amplifiers) that produce heat.
9. Do not defeat the safety purpose of the polarized or grounding-type plug. A polarized plug has two blades with one wider than the other. A grounding type plug has two blades and a third grounding prong. The wide blade or the third prong are provided for your safety. When the provided plug does not fit into your outlet, consult an electrician for replacement of the obsolete outlet.
10. Protect the power cord from being walked on or pinched particularly at plugs, convenience receptacles, and the point where they exit from the apparatus.
11. Only use attachments/accessories specified by the manufacturer.
12. Use only with a cart, stand, tripod, bracket, or table specified by the manufacturer, or sold with the apparatus. When a cart is used, use caution when moving the cart/apparatus combination to avoid injury from tip-over.

Portable Cart Warning

1. Unplug this apparatus during lightning storms or when unused for long periods of time.



2. Refer all servicing to qualified service personnel. Servicing is required when the apparatus has been damaged in any way, such as power -supply cord or plug is damaged, liquid has been spilled or objects have fallen into the apparatus, the apparatus has been exposed to rain or moisture, does not operate normally, or has been dropped.

WARNING! To reduce the risk of fire of electric shock, do not expose this apparatus to rain or moisture.

WARNING! The apparatus shall not be exposed to dripping or splashing and that no objects filled with liquids, such as vases, shall be placed on apparatus.

NOTE: Keep the volume level low enough to be aware of your surroundings.

NOTE: USE THE PROPER POWER SUPPLY! This product is designed to operate with a 12 volt DC negative ground battery system.

INTRODUCTION

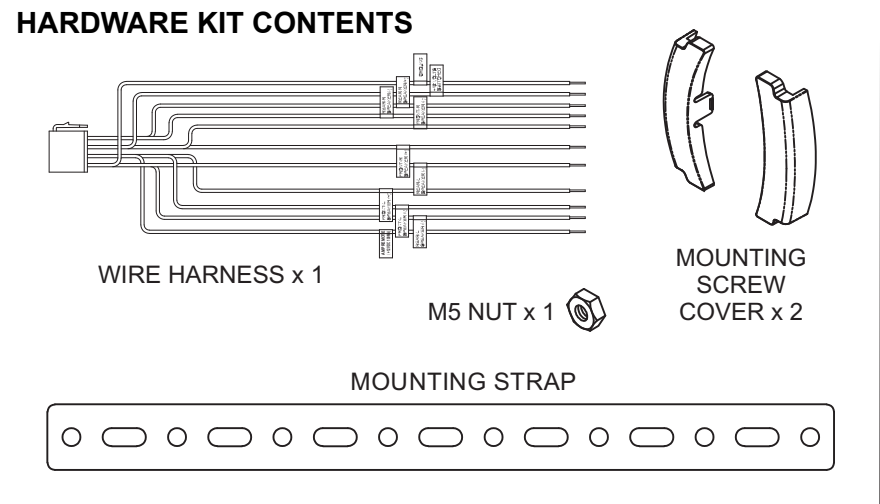
System Features

Features of the Jensen MS2013BT marine audio system include:

- White LED Backlit LCD
- iPX5 Waterproof
- Low Battery Alarm
- AM/FM US/EURO Tuner with 30 Presets (12 AM, 18 FM)
- Bluetooth (Supports A2DP and AVRCP)
- USB Playback of MP3/WMA files with iPod/iPhone Interface
- Mute
- Pre-set Equalizer - 5 settings (USER > FLAT > POP > CLASSIC > ROCK)
- Electronic Bass, Treble, Balance and Fader Controls
- Output Power 40W x 4
- Wired Remote Control Ready (MWR150 and MWR75 sold separately)
- 2-Channel Pre-amp Line Level Outputs
- Auxiliary Audio Input (Rear RCA)

Content List

- Jensen MS2013BT Radio
- Wire Harness
- Hardware Kit
- Owner's Manual



INSTALLATION

Before You Begin

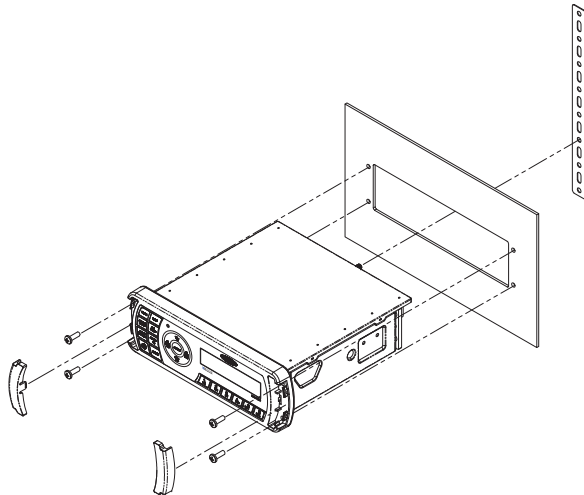
Before you begin, always disconnect the battery negative terminal.

Important Notes

- Before final installation, test the wiring connections to make sure the unit is connected properly and the system works.
- Use only the parts included with the unit to ensure proper installation. The use of unauthorized parts can cause malfunctions.
- Consult with your nearest dealer if installation requires the drilling of holes or other modifications to your vessel.
- Install the unit where it does not interfere with driving and cannot injure passengers if there is a sudden or emergency stop.
- Avoid installing the unit where it will be subject to high temperatures from direct sunlight, hot air, or from a heater, or where it would be subject to excessive dust, dirt or vibration.

Front Mount

1. Check the dashboard opening size by sliding the radio into it. If the opening is not large enough, carefully cut or file as necessary until the radio slides into the opening. Check that there will be sufficient space behind the dashboard for the radio chassis.



CAUTION: The rear of the radio must be supported with the strap to prevent damage to the radio and supporting structures.

2. Place the radio in front of the dashboard opening so the wiring can be brought through the opening.
3. Follow the wiring diagram carefully and make certain all connections are secure to ensure proper operation.

4. After completing the wiring connections, turn the unit on to confirm operation (vessel accessory switch must be on). If the unit does not operate, recheck all wiring until the problem is corrected. Once proper operation is achieved, turn the accessory switch off and proceed with final mounting of the chassis.
5. Carefully slide the radio into the opening, making sure it is right-side-up.
6. Secure the radio to the dashboard using the screws provided.
7. Replace the covers on either side of the radio.
8. Attach one end of the perforated support strap (supplied) to the screw stud on the rear of the chassis using the hex nut and spring washer provided. Fasten the other end of the perforated strap to a secure part of the dashboard either above or below the radio using the screw and plain washer provided. Bend the strap, as necessary, to position it.
9. Test radio operation by referring to the operating instructions for the unit.

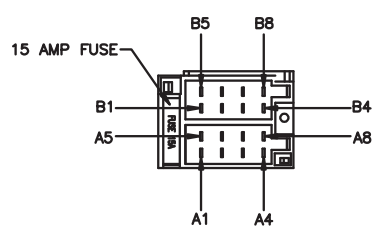
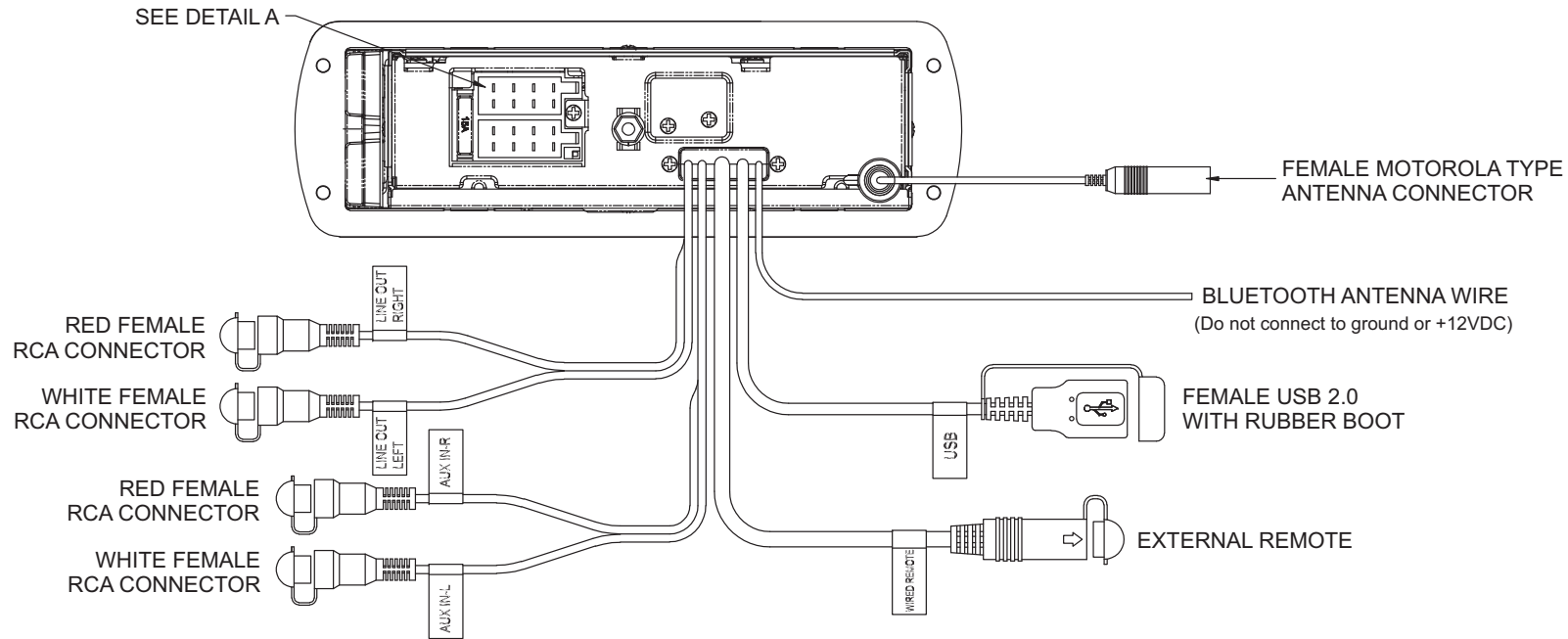
Removing the Unit

To remove the radio after installation, remove the covers, unscrew the installation screws and pull the radio out.

Reconnect Battery

When wiring is complete, reconnect the battery negative terminal.

WIRING



DETAIL A
SHOWN FROM PIN VIEW

PIN NO.	DESCRIPTION	WIRE COLOR
A1	LEFT REAR SPEAKER (+)	GREEN
A2	LEFT FRONT SPEAKER (+)	WHITE
A3	RIGHT FRONT SPEAKER (+)	GRAY
A4	RIGHT REAR SPEAKER (+)	VIOLET
A5	LEFT REAR SPEAKER (-)	GREEN/BLACK
A6	LEFT FRONT SPEAKER (-)	WHITE/BLACK
A7	RIGHT FRONT SPEAKER (-)	GRAY/BLACK
A8	RIGHT REAR SPEAKER (-)	VIOLET/BLACK
B1	NO CONNECTION	EMPTY
B2	AMPLIFIER REMOTE	BLUE
B3	NO CONNECTION	EMPTY
B4	NO CONNECTION	EMPTY
B5	GROUND	BLACK
B6	NO CONNECTION	EMPTY
B7	+12V SWITCHED	RED
B8	NO CONNECTION	EMPTY

AMPLIFIER REMOTE

Connect to amplifier or power antenna.
If not used, tape bare end of wire.

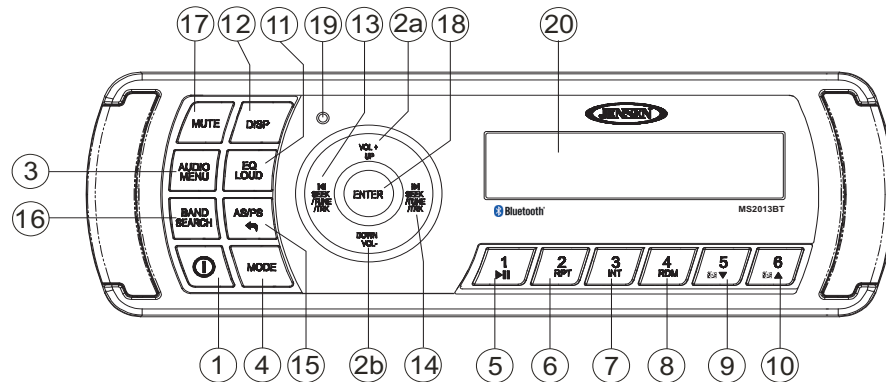
+12V SWITCHED

Connect to existing radio wire/fuse.

GROUND

Connect to ground terminal of battery.

BASIC OPERATION



Power On/Off

Press any button on the front panel to turn the unit on. Press the power button (1) to turn the unit on/off.

Volume Control

To increase the volume, press the **VOL +** button (2a). To decrease the volume, press the **VOL -** button (2b).

Mute

Press the **MUTE** button (17) on the control panel to mute the audio output. Press **MUTE** again to restore the audio output to the previous level.

Mode

Press the **MODE** button (4) on the control panel to select a different mode of operation, as indicated on the display panel. Available modes include Tuner, iPod, USB, AUX In (optional Auxiliary Input), BT Audio.

Reset

The reset button should be activated for the following reasons:

- initial installation of the unit when all wiring is completed
- function buttons do not operate
- error symbol on the display

Use a ball point pen or similar object to press the **RESET** button (19). This may be necessary should the unit display an error code.

You can recover factory default settings using the **RESET** function located on the system menu. With « **RESET** » flashing, press the **ENTER** button (18) to activate.

Audio Menu

Press the **AUDIO/MENU** button (3) on the control panel to access the audio menu. You can navigate through the audio menu items by pressing the **AUDIO/MENU** button repeatedly. Once the desired menu item appears on the display, adjust that option by pressing the **VOL +/-** buttons (2) within 5 seconds. The unit will automatically exit the audio menu after five seconds of inactivity. The following menu items can be adjusted.

Bass Level

Use the **VOL** buttons to adjust the Bass level range from “-6” to “+6”.

Treble Level

Use the **VOL** buttons to adjust the Treble level range from “-6” to “+6”.

Balance

Use the **VOL** buttons to adjust the Balance between the left and right speakers from “L12” (full left) to “R12” (full right).

Fader

Use the **VOL** buttons to adjust the Fader between the rear and front speakers from “R12” (full rear) to “F12” (full front).

System Menu

1. Press and hold the **AUDIO/MENU** button (3) for more than 3 seconds to enter the system menu. “MENU” will appear on the display, followed by the first menu item, “CONTRAST.”
2. Press the **SEEK/TUNE/TRK >>|** or **|<<** button (14, 13) or press the **AUDIO/MENU** button repeatedly to navigate the system menu and select the desired item.
3. Press the **VOL +/-** buttons (2) to adjust the selected menu item.
4. Press the **AS/PS** button (15) to return to the previous operation.

The following items can be adjusted:

- **CONTRAST** (0 – 10): Set LCD contrast.
- **LOW BATT** (ON/OFF): Monitor voltage on ACC line.
- **DISTANT/LOC**: “Local” mode favors access to local stations whose signals are much stronger, thereby improving reception. Select “Distant” to terminate local receive mode and resume normal mode.
- **AREA** (USA/Latin/Europe): Set frequency spacing for various regions.
- **VOL PGM** (0 – 46): Select an automatic turn-on volume.
- **BEEP TONE** (ON/OFF): Turn the audible beep ON/OFF (heard when functions/buttons are selected). *NOTE: Beep tone off will not affect LOW BATT audible tone.*
- **LCD BRIT** (0-10): Adjust LCD brightness.
- **BT ON/OFF**: Choose “BT ON” or “BT OFF”.
- **BT PAIR** (ON/OFF): Choose “YES” to automatically pair a previously paired device.
- **BT DEVICE** (Lock/Unlock, Disconnect/Connect, Delete): View, lock and delete from a list of previously paired mobile phone device models.
- **RESET**: Return the EEPROM to factory default set up values. “RESET” will blink on the LCD to confirm. Press the **ENTER** button (18) to select.

NOTE: BT Pair and BT Device menu options are only available while the BT feature is ON and the radio is in BT Audio mode.

LOW BATTERY Operation

If LOW BATT is set to "ON", an alarm will sound (8 beeps every 30 sec) when the voltage drops to 10.8V (+/- 0.3V). A visual warning (LOBA) will appear flashing (8 flashes every 30 sec) in the lower left corner of the LCD display.

NOTE: "OFF" is the default setting for LOW BATT. If the audio is muted or the volume is set to 0, the audible beep will not be heard.

Equalizer

Press the **EQ/LOUD** button (11) to turn on the equalization function and select between five pre-defined bass and treble curves: USER > FLAT > POP > CLAS > ROCK.

Loudness

Press and hold the **EQ/LOUD** button (11) to toggle true loudness on/off. When listening to music at low volumes, this feature will boost the bass and treble ranges to compensate for the characteristics of human hearing.

Auxiliary Input

To access an auxiliary device:

1. Connect the portable audio player to the AUX IN cables routed from the rear of the radio.
2. Press the **MODE** button (4) to select Aux In mode.
3. Press **MODE** again to cancel Aux In mode and switch to the next mode.

Liquid Crystal Display (LCD)

The current frequency and activated functions are shown on the LCD panel (20).

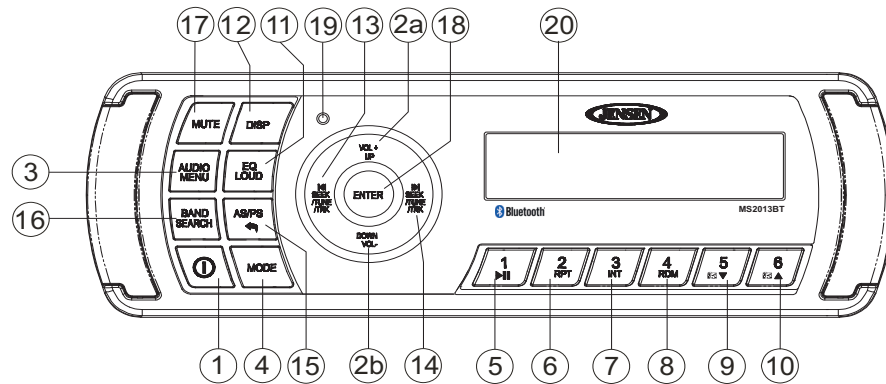
NOTE: LCD panels may take longer to respond when subjected to cold temperatures for an extended period of time. In addition, the visibility of the numbers on the LCD may decrease slightly. The LCD display will return to normal when the temperature increases to a normal range.

Quick Exit Hot Key ↩

In the following modes and conditions, press the **AS/PS** ↩ button (15) < 3 seconds to quickly exit the current operation without waiting for the system default time out:

- System menu operation
- Searching mode
- Audio menu operation

TUNER OPERATION



Select a Band

Press the **BAND/SEARCH** button (16) to change between three FM bands and two AM (MW) bands.

Manual Tuning

Press the **SEEK/TUNE/TRK** << or >>| buttons (13, 14) to seek stations up/down step by step.

Auto Seek Tuning

Press and hold the **SEEK/TUNE/TRK** << or >>| buttons (13, 14) to automatically seek the next or previous strong station.

Preset Stations

Six numbered preset buttons store and recall stations for each band.

Store a Station

Select a band (if needed), then select a station. *Press and hold* a preset button (5-10) for two seconds. The preset number will appear in the display.

Recall a Station

Select a band (if needed). Press a preset button (5-10) to select the corresponding stored station.

Automatically Store / Preset Scan (AS/PS ↵)

Automatically Store

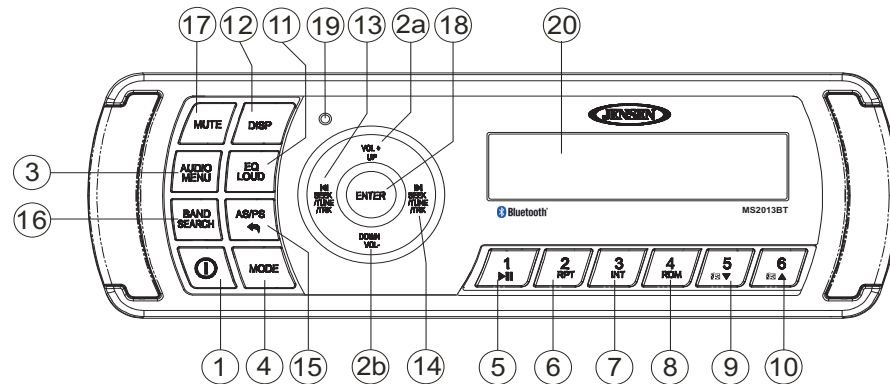
Select a band (if needed). *Press and hold* the **AS/PS** ↵ button (15) for more than three seconds to automatically select six strong stations and store them in the current band. The new stations replace any stations already stored in that band.

NOTE: *During Auto Store (AS), the tuner will default to "Local" mode while scanning the band initially. After scanning the entire band once, the unit will switch to "Distant" mode for all subsequent Auto Store tuning.*

Preset Scan

Select a band (if needed). Press the **AS/PS** ↵ button (15) to scan stations stored in the current band. The unit will pause for ten seconds at each preset station. Press **AS/PS** ↵ again to stop scanning when the desired station is reached.

MP3/WMA OPERATION



MP3/WMA File Requirements

This unit can play MP3 (MPEG1, 2, 2.5 Audio Layer 2/3) and WMA (version 7/8/9).

Media Requirements

The following formats are available for the media used in this unit. The maximum number of characters used for file name including the delimiter (".") and three-character extension are indicated in parentheses.

- ISO 9660 Level 1 (11 characters)
- ISO 9660 Level 2 (31 characters)
- Joliet (31 characters)
- Romeo (31 characters)

The media reproducible on this unit has the following limitations:

- Maximum number of nested folders: 8
- Maximum number of files per device: 999
- Maximum number of folders per device: 99

Use the following settings when compressing audio data in MP3 data with the MP3 encoder.

- Transfer bit rate: 32 - 320 kbps
- Sampling frequency
 - MPEG1: 32/44.1/48 KHz
 - MPEG2: 16/22.05/24 KHz
 - MPEG2.5: 8/11.025/12KHz
 - WMA: 22/32/44/48KHz
- Maximum file/directory name: 64 bytes

ID3 Support

This unit supports ID3 tag versions 1.0, 1.1, 2.0 and 2.3 (Max 32 bytes).

Installing a USB Device

Insert your USB thumb drive into the USB connector routed from the rear of the radio. The unit will automatically search for MP3 and WMA files on the device and begin playback. You can access USB mode from any other mode by pressing the **MODE** button (4).

WARNING: Do not remove the device when USB PLAY mode is active. Press MODE (4) to change to another mode before removing the device

Controlling Playback

Pause/Play

Press the 1 >|| button (5) to suspend playback. Press the 1 >|| button again to resume play.

Track Select

Press the **SEEK/TUNE/TRK >>|** (14) or **|<<** (13) button for less than one second to advance to the next file, or *press and hold* to fast forward or fast reverse. Playback begins when the button is released.

Repeat (RPT)

Press the **2 RPT** button (6) to repeatedly play the current file. Press **2 RPT** again to repeat all songs in the current folder. Press **2 RPT** a third time to resume normal playback.

Intro Scan (INT)

Press the **3 INT** button (7) once to play the first 10 seconds of each file in the current folder. Press **3 INT** again to play the first 10 seconds of each file on the current device. When the desired file is reached, press **3 INT** a third time to end the scan and play the selected file.

Random (RDM)

Press the **4 RDM** button (8) to randomly play all files in the current folder. Press **4 RDM** again to randomly play all files on the device. Press **4 RDM** a third time to resume normal playback.

Navigating Folders

Press the **5** button (9) to move to the previous folder and begin playback of the first song in the folder. Press the **6** button (10) to advance to the next folder and begin playback of the first song in the folder.

Alternate Display Information

Press the **DISP** button (12) to change the display information in the following order: ALBUM > SONG TITLE > ARTIST > FILE X of Y > ALBUM.

MP3/WMA Directory Search

1. Press the **BAND/SEARCH** button (16) to enter directory search mode.
2. Press the **ENTER** button (18) to confirm search mode. The LCD will display the folder list.
3. Navigate the folder list by pressing the **VOL +/-** buttons (2).
4. Press the **ENTER** button to select a folder. The LCD will display the list of files within that folder.
5. Navigate the file list by pressing the **VOL +/-** buttons.
6. Press the **ENTER** button to select a file.

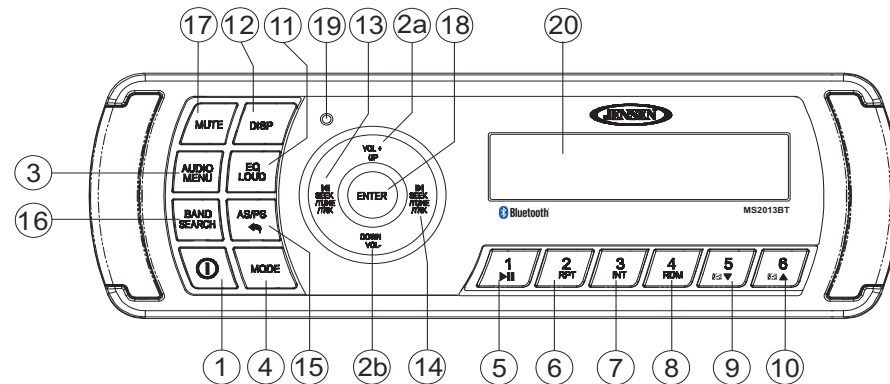
iPod OPERATION

This unit is equipped with an iPod ready function that will allow you to control your iPod (if compatible) using the control panel buttons. The following iPod versions are supported:

- iPod Nano 5G, iPod Nano 6G
- iPod 5G
- iPod Classic
- iPhone 4, iPhone 4S
- iPod Touch 3G, iPod Touch 4G

NOTE: Earlier model iPods may not be supported because they do not implement the USB control protocol. Also, the iPod Shuffle is not supported because it does not utilize the 30-pin Apple iPod Connector. These unsupported iPod models may be connected to the radio using one of the Auxiliary Inputs.

Accessing iPod Mode



Connect a supported iPod or iPhone to the USB connector. The iPod icon illuminates in the bottom right corner of the LCD whenever an iPod or iPhone is attached to the USB connector. Music playback begins automatically.

To enter iPod mode from any other source, press the **MODE** button (4) until "USB" appears on the display. **If the user connects an iPod containing no songs, the radio will display a message stating "No Songs" when it enters iPod mode.**

Turning the iPod On/Off

The iPod power turns on automatically when an iPod is connected to the USB connector, as long as the vehicle ignition is turned on. You can turn the iPod off by disconnecting it or by turning the ignition off. When the ignition is turned off, the iPod will pause and then enter sleep mode after 2 minutes. While the iPod is connected, the power cannot be turned on or off from the iPod itself.

NOTE: The iPod will continuously recharge when connected to the unit, as long as the vehicle ignition is turned on.

Controlling Playback

Selecting Tracks

During playback, press the **SEEK/TUNE/TRK >>** button (14) to play the next track in the current category. Press the **SEEK/TUNE/TRK <<** button (13) twice to play the previous track. **Press and hold** the **SEEK/TUNE/TRK << / >>** button (13/14) to fast reverse/forward the song.

Pausing Playback

During playback, press the **1/2** button (5) to pause the iPod player. "PAUSE" will appear on the LCD. Press **1/2** again to resume playback.

Repeat Play

During playback, press the **2 RPT** button (6) to repeat the current song. "REPEA" will appear on the LCD. Press **2 RPT** again to stop repeat playback.

Random Play

During playback, press the **4 RDM** button (8) to play all songs in the current category in random order. Random play will begin once the current song has finished playing. "SHUFF" will appear on the LCD. Press **4 RDM** again to stop random playback.

NOTE: If you press and hold the SEEK/TUNE/TRK << / >> button to change the current song to the previous/next song, you will exit fast reverse/forward mode.

Alternate Display Information

Press the **DISP** button (12) to change the display information in the following order: ARTIST > TITLE > FOLDER > FILE NAME > ARTIST.

Search Mode

Press the **BAND/SEARCH** button (16) to enter iPod search mode and choose from the following search criteria: Playlist, Artist, Album, Song, Genre or Composer (consecutively).

When search mode is selected, press the **ENTER** button (18) to confirm selection. Use the **VOL +/-** buttons (2) to navigate through various list selections. Press **ENTER** (18) to make your final selection.

BLUETOOTH OPERATION

The MS2013BT includes built-in Bluetooth technology that allows you to connect this head unit to Bluetooth devices for streaming audio playback.

About Bluetooth Technology

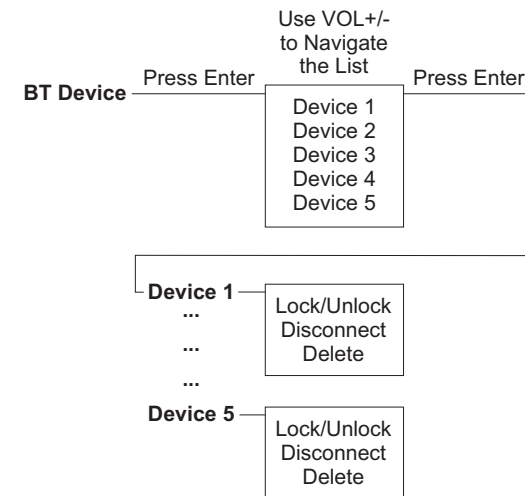
Bluetooth is a short-range wireless radio connectivity technology developed as a cable replacement for various electronic devices. Bluetooth operates in 2.4 GHz frequency range and transmits voice and data at speeds up to 1 megabit per second. Bluetooth was launched by a special interest group (SIG) comprised of Ericsson Inc., Intel Corp., Nokia Corp., Toshiba and IBM in 1998, and it is currently developed by nearly 2,000 companies worldwide. The Bluetooth word mark and logos are owned by the Bluetooth SIG, Inc. and any use of such marks is under license. Other trademarks and trade names are those of their respective owners.

Bluetooth Menu Options

NOTE: Please note that some BT menu options are only available while the unit is in BT Audio mode.

Press and hold the **AUDIO/MENU** button (3) to enter menu adjustment mode. Repeatedly press the **AUDIO/MENU** button to access the following Bluetooth Menu options:

- **BT ON/OFF:** Press the **VOL+** or **VOL-** button to choose "BT ON" or "BT OFF", then press the **ENTER** button (18) to select.
- **BT PAIR:** Press the **VOL+** or **VOL-** button to choose "ON" or "OFF", then press the **ENTER** button to select.
- **BT DEVICE:** Press the **ENTER** button to view a list of previously paired mobile phone device models. Press the **SEEK/TUNE/TRK** buttons (13, 14) to view devices from the list. You cannot delete a device that is actively connected. Press the **ENTER** button to select the device. Press the **VOL+** or **VOL-** button to choose Lock/Unlock, Disconnect or Delete for this device.
 - **LOCK/UNLOCK:** The MS2013BT can store up to 5 devices for BT connection. The devices are stored in FIFO (First In First Out) order. To prevent a device from being bumped from the list when more than 5 devices are used, you must lock the device. To Lock/Unlock a device, press the **ENTER** button to display/change the Locked (🔒) or Unlocked (🔓) icon.
 - **DISCONNECT:** To disconnect a paired device, press the **ENTER** button to temporarily remove the BT link. The link can be re-established through your phone menu by selecting the MS2013BT for connection.
 - **DELETE:** To delete a device from the list, press the **ENTER** button.



Pairing a Bluetooth Device

Before you begin, consult the owner's manual for the Bluetooth device you want to pair with the MS2013BT.

1. Make sure the device is on and ready to receive a signal from the MS2013BT. With the MS2013BT in BT Audio mode, choose BT PAIR from the MS2013BT menu and press the VOL- button to select ON. The unit is waiting to connect to a mobile phone device. With the BT function of the mobile phone device turned on, search for a Bluetooth device.
2. When the Bluetooth device has completed its search, the mobile phone will display the Bluetooth device name (MS2013BT).
3. Select MS2013BT. The BT AUDIO icon (🎵) on the radio LCD will display.
4. Enter the pairing password (0000), if requested.

After connecting successfully, you are able to listen to music stored on your Bluetooth enabled device through the radio.

Answering a Call



When answering a call using the connected phone, BT AUDIO will pause. After hanging up from the call, BT AUDIO to continue on some phones. It may be necessary to press the play button to resume BT AUDIO.

BT Audio (A2DP)

The A2DP music is available for Bluetooth enabled phones when the phone is connected. To access Bluetooth mode and play songs stored on your phone, press the **MODE** button (4).

While in BT mode , the BT AUDIO icon () illuminates on the LCD.

Selecting Tracks

During playback, press the **SEEK/TUNE/TRK** [ / ] button (13/14) to play the previous or next track.

Pausing Playback

During playback, press the **1/>>||** button (5) to pause the BT AUDIO player. "BT AUDIO II" will appear on the LCD. Press **1/>>||** again to resume playback.

If you change to another mode, the mobile phone audio will pause. Press the **MODE** button (4) to return to BT mode and resume mobile phone audio playback.

NOTE: If a Bluetooth device is disconnected due to the power being turned off or if the device is disconnected inadvertently, the unit will automatically search for the matching BT mobile phone when the power is restored.

CARE AND MAINTENANCE

- Keep the product dry. If it does get wet, wipe it dry immediately. Liquids might contain minerals that can corrode the electronic circuits.
- Keep the product away from dust and dirt, which can cause premature wear of parts.
- Handle the product gently and carefully. Dropping it can damage circuit boards and cases, and can cause the product to work improperly.
- Wipe the product with a dampened cloth occasionally to keep it looking new. Do not use harsh chemicals, cleaning solvents, or strong detergents to clean the product.
- Use and store the product only in normal temperature environments. High temperature can shorten the life of electronic devices, damage batteries, and distort or melt plastic parts.

Ignition

The most common source of noise in reception is the ignition system. This is a result of the radio being placed close to the ignition system (engine). This type of noise can be easily detected because it will vary in intensity of pitch with the speed of the engine.

Usually, the ignition noise can be suppressed considerably by using a radio suppression type high voltage ignition wire and suppressor resistor in the ignition system. (Most vessels employ this wire and resistor but it may be necessary to check them for correct operation.) Another method of suppression is the use of additional noise suppressors. These can be obtained from most CB/A radio or electronic supply shops.

Interference

Radio reception in a moving environment is very different from reception in a stationary environment (home). It is very important to understand the difference.

AM reception will deteriorate when passing under a bridge or when passing under high voltage lines. Although AM is subject to environmental noise, it has the ability to be received at great distance. This is because broadcasting signals follow the curvature of the earth and are reflected back by the upper atmosphere.

TROUBLESHOOTING

Symptom	Cause	Solution
No power	The vessel's accessory switch is not on	If the power supply is properly connected to the vessel's accessory terminal, switch the ignition key to "ACC".
	Fuse is blown	Replace the fuse.
No sound	Volume is too low	Adjust volume to audible level.
	Wiring is not properly connected	Check wiring connections.
The operation keys do not work	Built-in microcomputer is not operating properly due to noise	Press the reset button (19).
Cannot tune to radio station, auto-seek does not work	Antenna cable is not connected	Insert the antenna cable firmly.
	Signals are too weak	Select a station manually.

SPECIFICATIONS

FM Radio

Frequency Coverage (USA)	87.5 to 107.9 MHz
Frequency Coverage (Europe)	87.5 to 108 MHz
Sensitivity (S/N=30dB)4 μ V
Image Rejection	> 45 dB
Stereo Separation	> 25 dB

AM/MW

Frequency Range (USA)	530-1710 kHz
Frequency Range (Latin)	520-1620 kHz
Frequency Range (Europe)	522-1620 kHz
Sensitivity (S/N=20dB)	30 dB

General

Operating Voltage	DC 12 Volts
Grounding System	Negative Ground
Speaker Impedance	4-8 ohms per channel
Tone Controls:	
Bass (at 100 Hz)	\pm 14 dB
Treble (at 10 kHz)	\pm 13 dB
Power Output	40W x 4
Fuse Rating	15 Ampere (max.)
Chassis Dimensions	182(L) x 52.2(W) x 173(H)
Front Panel Dimensions	188(L) x 58(W) x 21(H)



IMPORTANTES INSTRUCCIONES DE SEGURIDAD

1. Lea estas instrucciones
2. Guarde estas instrucciones
3. Preste atención a estas advertencias
4. Siga todas las instrucciones
5. No use este aparato cerca del agua.
6. Limpie solo con un paño seco
7. No bloquee ninguna abertura de ventilación. Instale de acuerdo con las instrucciones del fabricante.
8. No instale cerca de ninguna fuente de calor tales como radiadores, estufas, cocinas, u otros aparatos incluyendo amplificadores que producen calor.
9. No anule el elemento de seguridad del enchufe polarizado o con conexión a tierra. Un enchufe polarizado tiene dos patas una más ancha que la otra. Un enchufe de tipo de conexión a tierra tiene dos patas y un tercer perno de conexión a tierra. La pata más ancha o el tercer perno es suministrado para su seguridad. Cuando el enchufe provisto no entra en su tomacorriente, consulte a un electricista para reemplazar el tomacorriente obsoleto.
10. Proteja el cable de alimentación de ser pateado o pinchado particularmente en el enchufe, receptáculos incorporados, y el punto donde sale del aparato.
11. Solo use agregados/accesorios especificados por el fabricante.
12. Solo use con un carrito, pedestal, trípode, soporte, o mesa especificada por el fabricante o vendida con el aparato. Cuando es usado un carrito, tenga cuidado cuando mueve la combinación carrito/aparato para evitar daños por caídas.

Advertencia de carrito portable

1. Desenchufe este aparato durante tormentas eléctricas o cuando no se usa por largos períodos de tiempo.



2. Derive todo el servicio a personal de servicio calificado. Se requiere servicio cuando el aparato se ha dañado de algún modo, tales como cable de alimentación o enchufe dañado, se ha derramado líquido o han caído objetos sobre el aparato, El aparato fue expuesto a la lluvia o humedad, no funciona normalmente, o se ha caído.

¡ADVERTENCIA! Para reducir el riesgo de incendios por choque eléctrico, no exponga este aparato a la lluvia o a la humedad.

¡ADVERTENCIA! El aparato no debe exponerse a goteos o salpicaduras y no deben colocarse sobre el aparato objetos llenos con líquidos, tales como vasos.

NOTA: Mantenga el nivel de volumen lo suficientemente bajo para estar alerta que sus alrededores.

NOTA: UTILICE LA FUENTE DE ENERGÍA ADECUADA Este producto está diseñado para funcionar con un sistema de batería con polo negativo a masa de 12 Voltios CC.

INTRODUCCIÓN

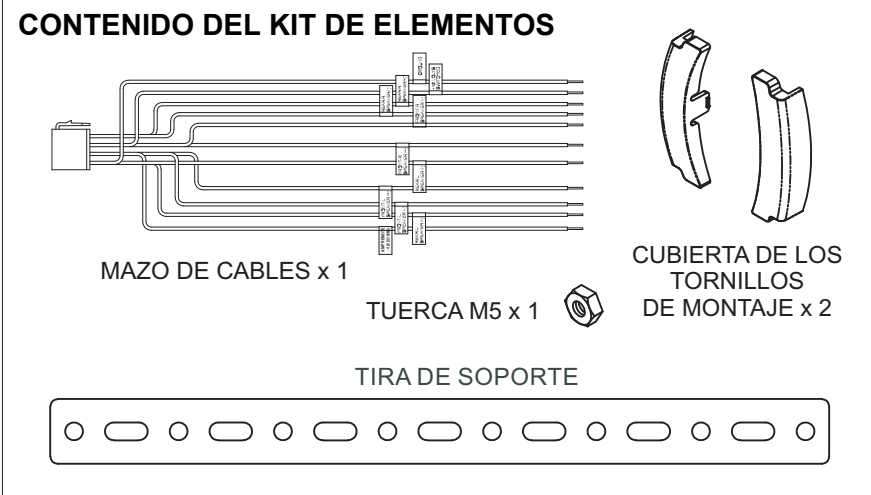
Características del Sistema

Las características del sistema de audio móvil Jensen MS2013BT incluyen:

- LED blanco de luz de fondo de LCD
- iPX5 impermeable
- Alarma de Batería Baja
- Sintonizador AM/FM EEUU/EURO con 30 presintonías (12 AM, 18 FM)
- Bluetooth (Soporta A2DP y AVRCP)
- Reproducción USB de archivos MP3 y WMA con interfaz para iPod/iPhone
- Silenciar
- Ecualizador Pre-fijado - 5 preferencias (USER > FLAT > POP > CLASSIC > ROCK)
- Controles electrónicos de graves, agudos, balance, fader
- Potencia de salida 40W x 4
- Cableado listo para control remoto (MWR150 y MWR75 vendido en forma separada)
- 2- Canales de salida de línea del preamplificador
- Entrada auxiliar de audio (RCA posterior)

Lista de Contenidos

- Radio Jensen MS2013BT
- Arnés de Cables
- Kit de elementos
- Manual del Usuario



INSTALACIÓN

Antes de Comenzar

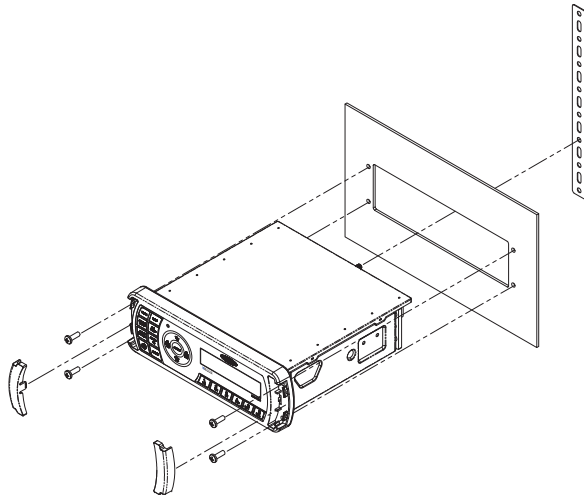
Antes de comenzar, siempre desconecte el terminal negativo de la batería.

Notas Importantes

- Antes de la instalación final, pruebe de las conexiones del cableado para asegurarse de que la unidad esté correctamente conectada y que funcione el sistema.
- Utilice únicamente las piezas incluidas con la unidad para asegurar una correcta instalación. El uso de piezas no autorizadas puede provocar un mal funcionamiento del sistema.
- Consulte con su distribuidor más cercano si la instalación requiere taladrar agujeros u otras modificaciones a su navío.
- Instale la unidad donde no interfiera con la conducción y no pueda herir a los pasajeros durante una parada abrupta o de emergencia.
- Evite instalar la unidad donde será sometida a altas temperaturas causadas por la luz directa del sol, el aire caliente, o por un calefactor, o sometida a exceso de polvo, suciedad o vibraciones.

Montaje Frontal

1. Verifique el tamaño de la abertura de la consola deslizando la radio dentro de ella. Si la abertura no es suficientemente grande, corte cuidadosamente o lime lo necesario hasta que la radio se deslice fácilmente dentro de la abertura. Verifique que haya suficiente espacio en la parte trasera de la consola para el chasis de la radio.



PRECAUCIÓN: La parte posterior de la radio debe estar soportada con la tira para evitar daños a la radio y las estructuras de soporte.

2. Coloque la radio frente a la abertura de la consola de forma tal que el cableado pueda pasarse por la abertura.
3. Siga cuidadosamente el diagrama de cableado y asegúrese que todas las conexiones están seguras para un funcionamiento adecuado y seguro.
4. Después de terminar las conexiones de cableado, encienda la unidad para confirmar el funcionamiento (el interruptor de accesorios del navío debe estar en "on"). Si la unidad no funciona, vuelva a verificar todo el cableado hasta corregir el problema. Una vez que se logra el funcionamiento correcto, cierre el interruptor de encendido y proceda con el montaje final del chasis.
5. Deslice cuidadosamente la radio dentro de la abertura, asegurándose que está el lado correcto arriba.
6. Asegure la radio a la consola usando los tornillos provistos.
7. Vuelva a colocar las cubiertas en ambos lados de la radio.
8. Fije un extremo de la tira perforada de soporte (provista) al tornillo prisionero en la parte posterior del chasis usando la tuerca hexagonal y la arandela de presión provista. Sujete el otro extremo de la tira perforada a una parte segura de la consola tanto arriba o debajo de la radio usando un tornillo y la tuerca hexagonal provista. Doble la tira, como sea necesario para posicionarla.
9. Pruebe el funcionamiento de la radio dirigiéndose a las instrucciones de funcionamiento de la unidad.

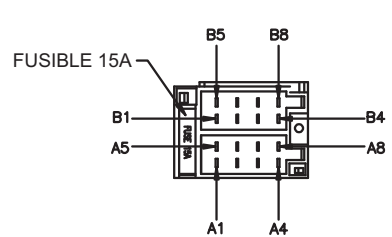
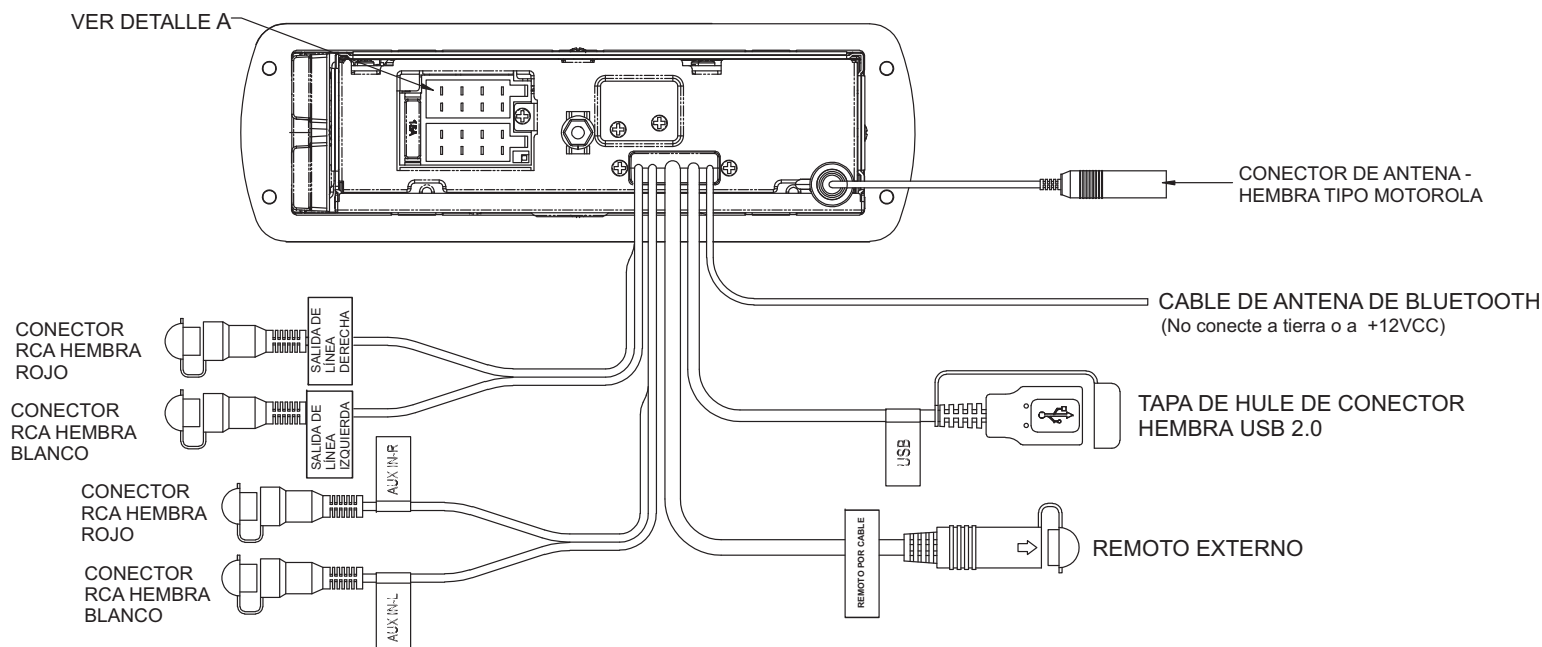
Retirar la Unidad

Para retirar la radio después de la instalación, quite las tapas quite los tornillos de instalación y empuje la radio hacia afuera.

Reconecte la Batería

Cuando el cableado esté terminado, reconecte el terminal negativo de la batería.

CABLEADO



DETALLE A
MOSTRAR VISTA DE PIN

PIN NO.	DESCRIPCIÓN	COLOR DEL CABLE
A1	ALTAVOZ IZQ. TRAS (+)	VERDE
A2	ALTAVOZ IZQ. DEL (+)	BLANCO
A3	ALTAVOZ DER. DEL. (+)	GRIS
A4	ALTAVOZ DER. TRAS (+)	VIOLETA
A5	ALTAVOZ IZQ. TRAS (-)	VERDE/NEGRO
A6	ALTAVOZ IZQ. DEL (-)	BLANCO/NEGRO
A7	ALTAVOZ DER. DEL (-)	GRIS/NEGRO
A8	ALTAVOZ DER. TRAS (-)	VIOLETA/NEGRO
B1	SIN CONEXIÓN	VACÍO
B2	AMPLIFICADOR REMOTO	AZUL
B3	SIN CONEXIÓN	VACÍO
B4	SIN CONEXIÓN	VACÍO
B5	TIERRA	NEGRO
B6	SIN CONEXIÓN	VACÍO
B7	+12V CONMUTADO	ROJO
B8	SIN CONEXIÓN	VACÍO

REMOTO DEL AMPLIFICADOR

Conectar para dar energía a la antena o al amplificador. Si no se usa, encintar el extremo.

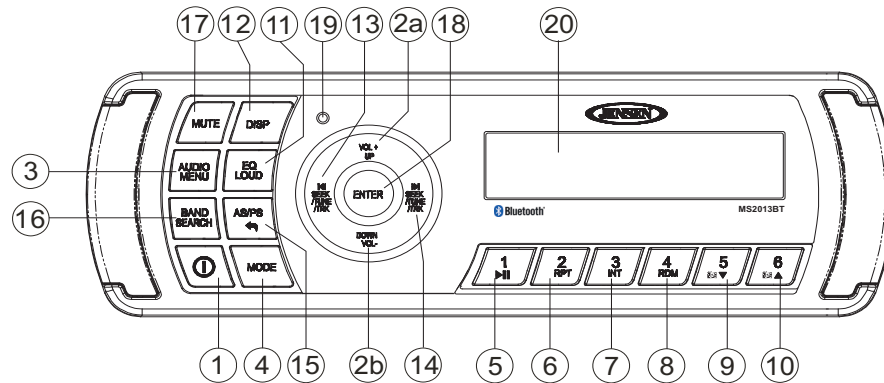
+ 12V ENCENDIDO

Conectar al cable de radio/fusible existente.

TIERRA

Conectar al terminal de tierra.

OPERACIÓN BÁSICA



Encendido / Apagado

Presione el botón en el panel frontal para encender la unidad. Presione el botón de encendido (1) para encender/apagar la unidad.

Control de Volumen

Para aumentar el volumen, presione el botón **VOL +** (2a). Para disminuir el volumen, presione el Botón **VOL -** (2b).

Silenciar

Presione el botón **MUTE** (17) en el panel de control para silenciar la salida de audio. Presione **MUTE** nuevamente para re-establecer la salida de audio al nivel anterior.

Modo

Presione el botón **MODE** (4) en el panel de control para seleccionar un modo de operación distinta, como se indica en la pantalla del panel. Los módulos disponible incluyen Sintonizador, iPod, USB y AUX in (Entrada Auxiliar opcional), Audio BT.

Restablecer

El botón de restablecer debería activarse por las siguientes razones:

- Instalación inicial de la unidad cuando todo el cableado está terminado
- Los botones de función no funcionan
- Símbolo de error en pantalla

Use la punta de una pluma o un objeto metálico fino para presionar el botón restablecer (19). Esto podría ser necesario si la unidad muestra un código de error.

Puede recuperar los valores de fábrica usando la función restablecer ubicada en el menú del sistema. Con "RESET" (SI) parpadeando, presione el botón **ENTER** (18) para activar.

Menú Audio

Presione el botón **AUDIO/MENU** (3) en el panel de control para acceder el menú de audio. Puede navegar por los ítems del menú de audio presionando el botón **AUDIO/MENU** repetidamente. Una vez que el ítem de menú deseado aparece en la pantalla, ajuste la opción presionando los botones **VOL +/-** (2) dentro de los 5 segundos. La unidad saldrá automáticamente del menú audio después de cinco segundos de inactividad. Los siguientes ítems de menú pueden ajustarse.

Nivel de Graves

Use los botones **VOL** para ajustar el rango de nivel de Graves de "-6" a "+6".

Nivel de Agudos

Use los botones **VOL** para ajustar el rango de nivel de Agudos de "-6" a "+6".

Balance

Use los botones **VOL** para ajustar el Balance entre los parlantes izquierdo y derecho desde "L12" (todo a la izquierda) a "R12" (todo a la derecha).

Esfumar

Use los botones **VOL** para ajustar el esfumado entre los parlantes traseros y delanteros "R12" (todo atrás) a "F12" (todo adelante).

Menú del Sistema

1. Presione y mantenga el botón **AUDIO/MENU** (3) por más de 3 segundos para acceder al menú del sistema. Aparecerá "MENU" en la pantalla, seguido por el primer ítem de menú, "CONTRASTE."
2. Presione el botón **SEEK/TUNE/TRK >>|** o **|<<** (14, 13) o presione el botón **AUDIO/MENU** repetidamente para navegar el menú de sistema y seleccione el ítem deseado.
3. Presione los botones **VOL +/-** (2) para ajustar el ítem de menú seleccionado.
4. Presione el botón **AS/PS** (15) para volver al menú anterior.

Los siguientes ítems pueden ajustarse.

- CONTRAST (0 – 10): Fija el contraste del LCD.
- LOW BATT (ON/OFF): Monitorea el voltaje en la línea CAC.
- DISTANT/LOC: Modo "Local" favorece el acceso a estaciones locales cuyas señales son mucho más fuertes, mejorando así la recepción. Seleccione "Distant" para terminar el modo de recepción local y volver al modo normal.
- AREA (USA/Latin/Europe): Fija el espaciado de frecuencia para varias regiones.
- VOL PGM (0 – 46): Seleccione un volumen automático de encendido.
- BEEPTONE (ON/OFF): Encender/Apagar el bip audible (Escuchado cuando son seleccionadas las funciones/botones). *NOTA: el tono bip apagado no afectará al tono audible de LOW BATT.*
- LCD BRIT (1-10): Ajusta el brillo del LCD.
- BT ON/OFF: Seleccione "BT ON" o "BT OFF".
- BT PAIR (ON/OFF): Seleccione "YES" para aparear automáticamente un dispositivo apareado anteriormente.
- BT DEVICE (Bloquear/Desbloquear, Desconectar/Conectar, Borrar): Ver, bloquear y borrar de una lista de modelos de dispositivos telefónicos móviles previamente apareados.
- RESET: Volver el EEPROM a los valores prefijados de fábrica. "RESET" parpadeará en el LCD para confirmar. Presione el botón **ENTER** (18) para seleccionar.

NOTA: Las opciones de menú de **Aparear BT** y **Dispositivo BT** están solo disponibles mientras la función **BT** está Encendido y la radio está en modo de **Audio BT**.

Operación LOW BATTERY

Si **LOW BATT** está fijado en "ON", sonará una alarma (8 bips cada 30 seg) cuando el voltaje cae a 10.8V (+/- 0.3V). Una advertencia visual (**LOBA**) aparecerá parpadeando (8 parpadeos cada 30 seg) en ola esquina inferior izquierda de la pantalla **LCD**.

NOTA: "OFF" es la fijación predeterminada para **LOW BATT**. Si el audio está silenciado o el volumen está en 0, el bip audible no se escuchará.

Ecualizador

Presione el botón **EQ/LOUD** (11) para encender la función de ecualización y seleccionar entre las cinco curvas predefinidas de graves y agudos: **USER > FLAT > POP > CLAS > ROCK**.

Sonoridad

Presione y mantenga el botón **EQ/LOUD** (11) para alternar la sonoridad alineada en on/off. Cuando escucha música a volúmenes bajos, esta función reforzará los rangos de graves y agudos para compensar las características de la audición humana.

Entrada Auxiliar

Para acceder un dispositivo auxiliar:

1. Conecte el reproductor de audio portátil a los cables **AUX IN** ruteados desde la parte de atrás de la radio.
2. Presione el botón **MODE** (4) para seleccionar un modo "Aux In".
3. Presione **MODE** nuevamente para cancelar el modo **Aux In** e ir al modo siguiente.

Pantalla de Cristal Líquido (LCD)

La frecuencia actual y las funciones activadas son mostradas en el panel **LCD** (20).

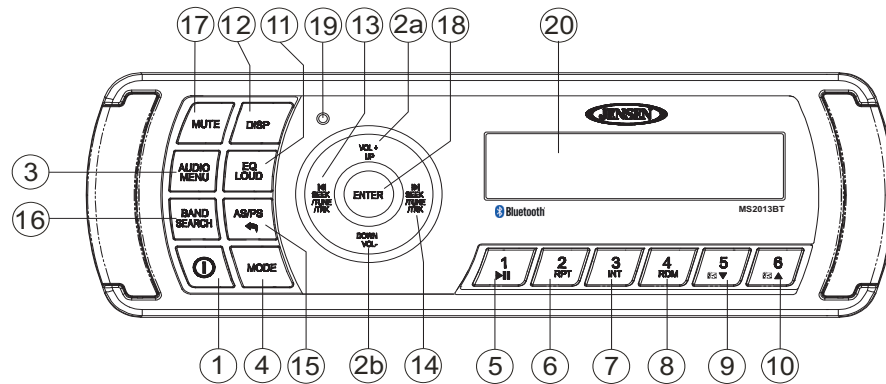
NOTA: Los paneles **LCD** podrían tomar mas tiempo a responder cuando están sujetos a temperaturas frías por un largo período de tiempo. Además, la visibilidad de los números en el **LCD** podría disminuir ligeramente. La pantalla **LCD** volverá a normal cuando la temperatura aumenta a valores normales.

Tecla de Salida Rápida ↩

En los siguientes modos y condiciones, presione el botón **AS/PS** ↩ (15) < 3 segundos para salir rápidamente de la operación actual sin esperar el tiempo de espera prefijado en el sistema:

- Operación del menú del Sistema
- Modo de Búsqueda
- Operación de menú de Audio

OPERACIÓN DE SINTONIZADOR



Seleccionar una Banda

Presione el botón **BAND/SEARCH** (16) para cambiar entre tres bandas FM y dos bandas AM.

Sintonizado Manual

Presione los botones **SEEK/TUNE/TRK** |<< o >>| (13, 14) para buscar estaciones arriba/abajo paso a paso.

Búsqueda Automática de Sintonizado

Presione y mantenga los botones **SEEK/TUNE/TRK** |<< o >>| (13, 14) para buscar automáticamente la próxima o previa estación fuerte.

Estaciones Prefijadas

Seis botones numerados de prefijado almacenan y activan estaciones para cada banda.

Almacenar una Estación

Seleccione una banda (si es necesario), luego seleccione una estación. Presione y mantenga uno de los botones de prefijado 1-6 por dos segundos. El número prefijado aparecerá en la pantalla.

Activar una Estación

Seleccione una banda (si es necesario). Presione un botón prefijado (5-10) para seleccionar la estación almacenada correspondiente.

Buscar Automáticamente Almacenado / Prefijado (AS/PS ↵)

Almacenar Automáticamente

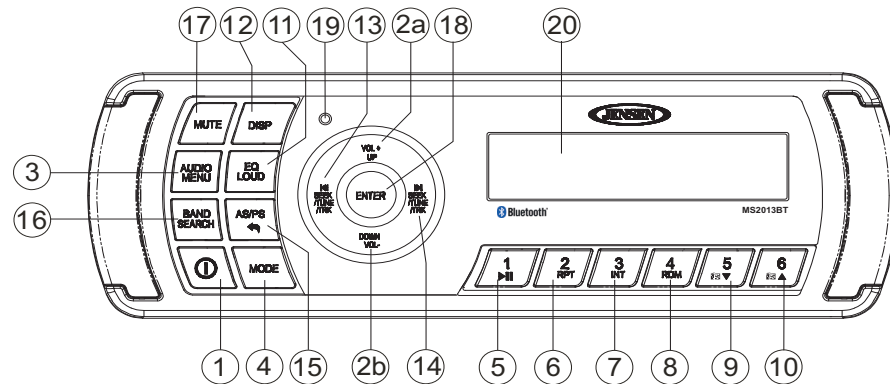
Seleccione una banda (si es necesario). Presione y mantenga el botón **AS/PS** ↵ (15) por más de tres segundos para seleccionar automáticamente seis estaciones fuertes y almacenarlas en la banda actual. Las nuevas estaciones reemplazan cualquier estación ya almacenada en esa banda.

NOTA: Durante el Auto Almacenamiento (AS), el sintonizador irá al modo predeterminado "Local" mientras explora la banda inicialmente. Después de explorar toda la banda una vez, la unidad cambiará a modo "Distante" para todas las sintonizaciones de Auto Almacenamiento subsiguientes.

Buscar Prefijadas

Seleccione una banda (si es necesario). Presione el botón **AS/PS** ↵ (15) para explorar estaciones almacenadas en la banda actual. La unidad pausará por diez segundos en cada estación prefijada. Presione el botón **AS/PS** ↵ nuevamente para detener la exploración cuando se alcanza la estación deseada.

OPERACIÓN DE MP3/WMA



Requerimientos de archivos de MP3/WMA.

Esta unidad puede reproducir MP3 (MPEG1, 2, 2.5 capa de audio 2/3) y WMA (versión 8/07/09).

Requisitos de Medios

Los siguientes formatos están disponibles para los medios usados en esta unidad. El número máximo de caracteres usados para nombre de archivo incluyendo el delimitador (".") y la extensión de tres caracteres están indicados en paréntesis.

- ISO 9660 Nivel 1 (11 caracteres)
- ISO 9660 Nivel 2 (31 caracteres)
- Joliet (31 caracteres)
- Romeo (31 caracteres)

El medio reproducible en esta unidad tiene las siguientes limitaciones:

- Numero máximo de niveles de carpetas: 8
- Numero máximo de archivos por dispositivo: 999
- Numero máximo de carpetas por dispositivo: 99

Use las siguientes preferencias cuando comprime datos de audio en datos MP3 con el codificador de MP3.

- Tasa de transferencia de bit: 32 - 320 kbps
- Frecuencia de la Muestra:
 - 32/44.1/48 KHz, MPEG2:
 - 16/22.05/24 KHz, MPEG2:
 - 8/11.025 KHz, MPEG2.5:
 - 22/32/44/48 KHz, WMA:
- Máximo de nombre de archivo/directorio: 64 bytes

Soporte ID3

Esta unidad soporta etiquetas ID3 versión 1.0, 1.1, 2.0 y 2.3 (Max 32 bytes).

Cómo instalar un Dispositivo USB

Inserte su dispositivo USB dentro del conector USB ruteado desde la parte de atrás de la radio. La unidad automáticamente buscará por archivos MP3 y WMA en el dispositivo y

comienza la reproducción. Puede acceder el modo USB desde cualquier otro modo presionando el botón **MODE** (4).

ADVERTENCIA: No quitar el dispositivo cuando está activo el modo USB PLAY. Presione **MODE** (4) para cambiar a otro modo antes de quitar el dispositivo.

Cómo controlar la Reproducción

Pause/Play

Presione el botón **1>||** (5) para suspender la reproducción. Presione el botón **1>||** nuevamente para volver a la reproducción del disco.

Selección de Pista

Presione el botón **SEEK/TUNE/TRK >>** (14) o **<<** (13) por menos de un segundo para avanzar al siguiente archivo, o **presione y mantenga** para avance o retroceso rápido. La reproducción comienza cuando se libera el botón.

Repetir (RPT)

Presione el botón **2 RPT** (6) para reproducir repetidamente el archivo actual. Presione **2 RPT** nuevamente para repetir todas las canciones en la carpeta actual. Presione **2 RPT** por tercera vez para volver a la reproducción normal.

Exploración de Introducción (INT)

Presione el botón **3 INT** (7) una vez para reproducir los primeros 10 segundos de cada pista en la carpeta actual. Presione **3 INT** nuevamente para reproducir los primeros 10 segundos de cada archivo en el dispositivo actual. Cuando se alcanza el archivo deseado, presione **3 INT** por tercera vez al final de la exploración y reproduce el archivo seleccionado.

Aleatorio (RDM)

Presione el botón **4 RDM** (8) para reproducir aleatoriamente todos los archivos en la carpeta actual. Presione **4 RDM** nuevamente para reproducir aleatoriamente todos los archivos en el dispositivo. Presione **4 RDM** por tercera vez para volver a la reproducción normal.

Cómo navegar por Carpetas

Presione el botón **5** (9) para moverse a la carpeta anterior y comenzar la reproducción de la primera canción en la carpeta. Presione el botón **6** (10) para avanzar a la carpeta siguiente y comenzar la reproducción de la primera canción en la carpeta.

Información de Pantalla Alterna

Presione el botón **DISP** (12) para cambiar la información de pantalla en el siguiente orden: ALBUM > SONG TITLE > ARTIST > FILE X of Y > ALBUM.

Búsqueda de Directorio MP3/WMA

1. Presione el botón **BAND/SEARCH** (16) para ingresar al modo de búsqueda de directorio.
2. Presione el botón **ENTER** (18) para confirmar el modo de búsqueda. El LCD mostrará la lista de carpetas.
3. Navegue la lista de carpetas presionando los botones **VOL +/-** (2).
4. Presione el botón **ENTER** para seleccionar una carpeta. El LCD mostrará la lista de archivos dentro de la carpeta.
5. Navegue la lista de archivos presionando los botones **VOL +/-**.
6. Presione el botón **ENTER** para seleccionar un archivo.

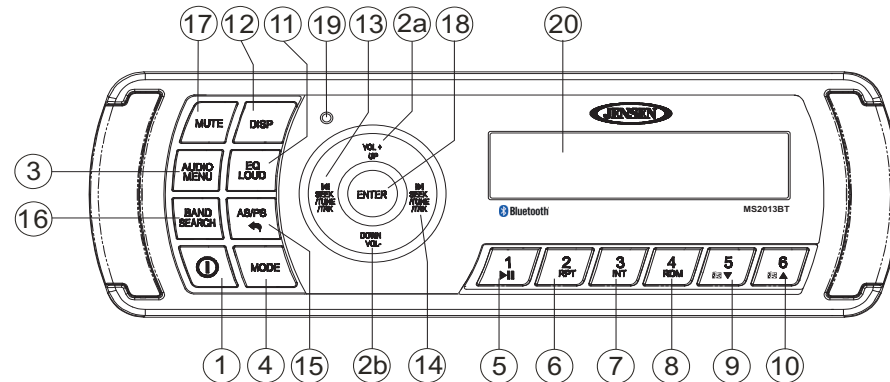
OPERACIÓN DE iPod

Esta unidad está equipada con una función lista para iPod® que le permitirá controlar su iPod (si es compatible) usando los botones de panel de control. Están soportadas las siguientes versiones de iPod:

- iPod Nano 5G, iPod Nano 6G
- iPod 5G
- iPod Classic
- iPhone 4, iPhone 4S
- iPod Touch 3G, iPod Touch 4G

NOTA: los modelos anteriores de iPod podrían no estar soportados debido a que no implementan el protocolo de control USB. Tampoco el iPod Shuffle está soportado debido a que no utiliza el conector Apple iPod de 30 pines. Estos modelos iPod no soportados podrían conectarse a la radio usando entradas auxiliares.

Cómo Acceder el Modo iPod



Conecte un iPod o iPhone compatible al conector USB del panel frontal. El icono de iPod se ilumina en la esquina inferior derecha de la pantalla cada vez que un iPod o iPhone es conectado al conector USB. La reproducción de música comienza automáticamente.

Para entrar en modo iPod desde cualquier otra fuente, presione el botón **MODE (4)** hasta que aparezca "USB" en la pantalla. **Si el usuario conecta un iPod que no contiene canciones, la radio mostrará un mensaje anunciando "No Songs" cuando entra en modo iPod.**

Cómo encender/apagar el iPod

El iPod enciende automáticamente cuando se conecta un iPod al conector USB, siempre y cuando el encendido del vehículo esté encendido. Puede apagar el iPod desconectándolo o apagando el encendido. Cuando se apaga el encendido, el iPod pausará y luego ingresa a modo dormir después de 2 minutos. Mientras el iPod está conectado, no puede encenderse o apagarse desde el iPod mismo.

NOTA: El iPod se recargará continuamente cuando está conectado a la unidad, siempre que el encendido del vehículo esté encendido.

Cómo controlar la Reproducción

Cómo Seleccionar Pistas

Durante la reproducción, presione el botón **SEEK/TUNE/TRK / >>| (14)** para reproducir la pista siguiente en la categoría actual. Presione el botón **SEEK/TUNE/TRK |<< (13)** dos veces para reproducir la pista previa.

Presione y mantenga el botón **SEEK/TUNE/TRK |<< / >>| (13, 14)** para avance/retroceso rápido de la canción.

Cómo Pausar la Reproducción

Durante la reproducción, presione el botón **1/>|| (5)** para pausar el reproductor iPod. Aparecerá "PAUSE" (Pausa) en el LCD. Presione **1/>||** nuevamente para volver a la reproducción.

Repetir Reproducción

Durante la reproducción, presione el botón **2 RPT (6)** para repetir la canción actual. Aparecerá "REPEA" en el LCD. Presione **2 RPT** nuevamente para detener la repetición de reproducción.

Reproducción aleatoria

Durante la reproducción, presione el botón **4 RDM (8)** para reproducir todas las canciones en la categoría actual en forma aleatoria. La reproducción aleatoria comenzará una vez que la canción actual ha finalizado su reproducción. Aparecerá "SHUFF" en el LCD. Presione **4 RDM** nuevamente para detener la reproducción aleatoria.

NOTA: Si presiona y mantiene el botón SEEK/TUNE/TRK |<< / >>| para cambiar la canción actual a la canción previa/siguiente, saldrá del modo de avance/retroceso rápido.

Información de Pantalla Alternativa

Presione el botón **DISP (12)** para cambiar la información de pantalla en el siguiente orden: ARTIST > TITLE > FOLDER > FILE NAME > ARTIST.

Modo de Búsqueda

Presione el botón **BAND/SEARCH (16)** para ingresar al modo búsqueda iPod y seleccionar entre los siguientes criterios de búsqueda: Lista de reproducción, artista, Álbum Canción, Género o Compositor (Playlist, Artist, Album, Song, Genre or Composer) (consecutivamente).

Cuando se selecciona modo de búsqueda, presione el botón **ENTER (18)** para confirmar la selección. Use los botones de **VOL +/- (2)** para navegar a través de distintas selecciones de listas. Presione **ENTER (18)** para hacer su selección final.

OPERACIÓN DE BLUETOOTH

El MS2013BT incluye tecnología Bluetooth incorporada que le permite conectar esta unidad principal a dispositivos Bluetooth para reproducción de archivos de audio.

Acerca de la tecnología Bluetooth

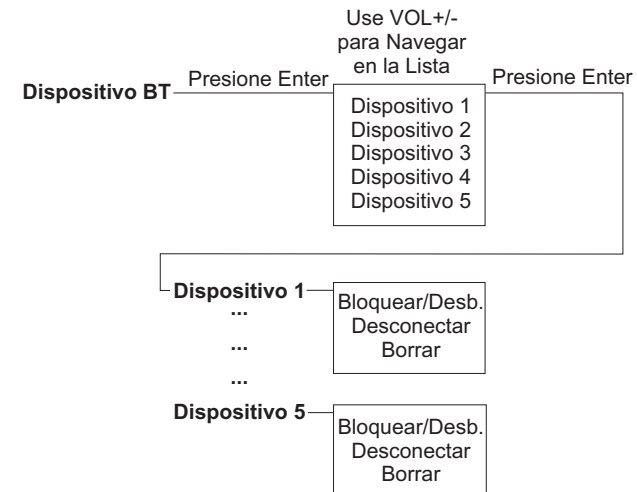
Bluetooth es una tecnología de conectividad de radio inalámbrica de corto alcance que está desarrollada como un remplazo de cables para distintos dispositivos electrónicos. Bluetooth funciona en el rango de frecuencia de 2.4 GHz y transmite voz y datos hasta 1 megabits por segundo. Bluetooth fue presentado por un grupo especial de interés (SIG) compuesto por Ericsson Inc., Intel Corp., Nokia Corp., Toshiba e IBM en 1998, y actualmente es desarrollado por cerca de 2.000 compañías en el mundo. La palabra, marca y logos Bluetooth son propiedad de Bluetooth SIG, Inc. y cualquier uso de tales marcas es bajo licencia. Otras marcas y nombres de marcas son aquellos de sus respectivos propietarios.

Opciones de Menú Bluetooth

NOTA: Advierta que algunas opciones de menú BT están solo disponibles mientras la unidad está en modo Audio BT.

Presione y mantenga el botón **AUDIO/MENU** (3) para ingresar al modo de menú de ajuste. Presione el botón **AUDIO/MENU** para acceder a las siguientes opciones de menú Bluetooth.

- **BT ON/OFF:** Presione el botón **VOL+** o **VOL-** para seleccionar "BT ON" o "BT OFF", luego presione el botón **ENTER** (18) para seleccionar.
- **BT PAIR:** Presione el botón **VOL+** o **VOL-** para seleccionar "ON" o "OFF", luego presione el botón **enter** (18) para seleccionar.
- **BT DEVICE:** Presione el botón **ENTER** para Ver una lista de modelos de dispositivos telefónicos móviles previamente apareados. Presione los botones **SEEK/TUNE/TRK** (13, 14) para ver dispositivos de la lista. No puede borrar un dispositivo que está conectado activamente. Presione el botón **ENTER** para seleccionar el dispositivo. Presione el botón **VOL+** o **VOL-** para seleccionar bloquear/desbloquear, desconectar o borrar para este dispositivo.
 - **BLOCK/UNLOCK:** El MS2013BT puede almacenar hasta 5 dispositivos para conexión BT. Los dispositivos son almacenados en orden de arriba (FIFO). Para evitar que un dispositivo de sea eliminado de la lista cuando se usan más de 5 dispositivos, debe bloquear el dispositivo. Para bloquear/desbloquear un dispositivo, presione el botón **ENTER** para mostrar/cambiar el ícono Bloqueado (🔒) o Desbloqueado (🔓).
 - **DISCONNECT:** Para desconectar un dispositivo apareado, presione el botón **ENTER** para quitar temporalmente el enlace BT. El enlace puede re-establecerse a través del menú de su teléfono seleccionando el MS2013BT para conexión.
 - **DELETE:** Para borrar un dispositivo de la lista, presione el botón **ENTER**.



Cómo aparear un dispositivo Bluetooth

Antes de comenzar, consulte el manual de usuario del dispositivo Bluetooth que desea aparear al MS2013BT.



1. Asegúrese que el dispositivo esté encendido y listo para recibir una señal del MS2013BT. Con el MS2013BT en modo Audio BT, seleccione BT PAIR del menú MS2013BT y presione el botón **VOL-** para seleccionar ON. La unidad está esperando para conectar a un dispositivo telefónico móvil. Con la función BT del dispositivo telefónico móvil encendido, busque un dispositivo Bluetooth.
2. Cuando el dispositivo Bluetooth ha completado su búsqueda, el teléfono móvil mostrará el nombre del dispositivo Bluetooth (MS2013BT).
3. Seleccionar MS2013BT se mostrará el ícono AUDIO BT (🎵) en el LCD de la radio.
4. Ingrese la contraseña de apareamiento (0000), se requiere.

Después de conectar satisfactoriamente, podrá escuchar la música almacenada en su dispositivo Bluetooth habilitado a través de la radio.

Cómo responder un llamado

Cuando responde un llamado usando el teléfono conectado, el AUDIO BT se pausará. Después de colgar por el llamado, el AUDIO BT continúa en algunos teléfonos. Podría ser necesario presionar el botón play para reiniciar el AUDIO BT.

Audio BT (A2DP)

La música A2DP está disponible para teléfonos habilitados Bluetooth cuando el teléfono está conectado. Para acceder al modo Bluetooth y reproducir canciones almacenadas en su teléfono, presione el botón **MODE** (4). Mientras está en modo BT , el ícono AUDIO BT () se enciende en el LCD.

Cómo Seleccionar Pistas

Durante la reproducción, presione el botón **SEEK/TUNE/TRK** |<< / >>| (13, 14) para reproducir la pista anterior o siguiente.

Cómo Pausar la Reproducción

Durante la reproducción, presione el botón **1/ >||** (5) para pausar el reproductor AUDIO BT. Aparecerá "BT AUDIO II" en el LCD. Presione **1/ >||** nuevamente para volver a la reproducción.

Si cambia a otro modo, el audio de teléfono móvil se pausará. Presione el botón **MODE** (4) para volver al modo BT y vuelve a la reproducción de audio del teléfono móvil.

NOTA: Si un dispositivo Bluetooth se desconecta porque se apaga o si el dispositivo es desconectado inadvertidamente, La unidad buscará automáticamente para aparear el teléfono móvil BT cuando se re-establece la energía.

CUIDADO Y MANTENIMIENTO

- Mantenga el producto seco. Si se moja, séquelo inmediatamente. Los líquidos podrían contener minerales que pueden corroer los circuitos electrónicos.
- Mantenga el producto alejado del polvo y suciedad, que puede causar el desgaste prematuro de sus partes.
- Manipule el producto cuidadosamente. Las caídas pueden dañar las placas de circuitos y la cubierta, y pueden causar el mal funcionamiento del producto.
- Limpie ocasionalmente el producto con un paño humedecido para mantener su aspecto como nuevo. No use productos químicos abrasivos, disolventes, o detergentes fuertes para limpiar el producto.
- Use y guarde el producto solo en ambientes con temperatura normal. Las altas temperaturas pueden acortar la vida útil de los dispositivos electrónicos, dañar las baterías, y deformar o derretir las partes plásticas.

Arranque

La fuente más común de ruido en la recepción es el sistema de arranque. Este es el resultado cuando la radio se ubica cerca del sistema de arranque (motor). Este tipo de ruido puede ser detectado fácilmente ya que la intensidad del tono cambiará con la velocidad del motor.

Por lo general, el ruido de arranque puede ser considerablemente suprimido mediante el uso de un cable de arranque de alto voltaje de tipo radio supresor y una resistencia del supresor en el sistema de arranque. (La mayoría de los navíos emplean este tipo de cables y resistor pero podría ser necesario verificar su correcto funcionamiento.) Otro método de supresión es el uso de supresores de ruido adicionales. Estos pueden obtenerse en la mayoría de las tiendas de radio CB/A o las de suministros electrónicos.

Interferencia

La recepción de radio en un entorno en movimiento es muy diferente de la recepción en un entorno fijo (hogar). Es muy importante entender la diferencia.

La recepción de AM se deteriora al pasar bajo un puente o cuando se pasa por debajo de líneas de alta tensión. Aunque la AM está sujeta a ruido ambiental, tiene la capacidad de ser recibida a gran distancia. Esto se debe a que las señales de transmisión siguen la curvatura de la tierra y son reflejadas por la atmósfera superior.

RESOLUCIÓN DE PROBLEMAS

Síntoma	Causa	Solución
Apagado	El interruptor de accesorios del navío no está encendido	Si el suministro de energía está conectado correctamente al terminal de accesorios del navío, coloque la llave de encendido en la posición "ACC".
	Fusible quemado	Reemplace el fusible.
Sin Sonido	Volumen demasiado bajo	Ajuste el volumen al nivel audible:
	El cableado no está correctamente conectado	Verificar las conexiones de cableado.
Las teclas de funcionamiento no funcionan	Microcomputador incorporado no está funcionando adecuadamente debido al ruido	Presione el botón restablecer (19).
No puede sintonizar estaciones de radio, la auto-búsqueda no funciona	Cable de Antena no conectado	Inserte el cable de antena firmemente.
	Señales demasiado débiles	Seleccione una estación manualmente.

ESPECIFICACIONES

RADIO FM

Cobertura de Frecuencia (EE.UU.)	87.5 a 107.9 MHz
Cobertura de Frecuencia (Europa.)	87.5 a 108 MHz
Sensibilidad (S/N=30dB)	4 μ V
Rechazo de la Imagen	>45 dB
Separación Estéreo.	> 25 dB

AM/MW

Rango de Frecuencia (EE.UU.)	530-1710 kHz
Rango de Frecuencia (latino)	520-1620 kHz
Rango de Frecuencia (Europa.)	522-1620 kHz
Sensibilidad (S/N=20dB)	30 dB

General

Voltaje de Funcionamiento	12 Volts CC
Sistema de Tierra	Negativo a tierra
Impedancia de Parlante	4-8 ohms por canal
Controles de Tono:	
Bajos (a 100 Hz)	\pm 14 dB
Agudos (a 10 kHz)	\pm 13 dB
Potencia de Salida	40W x 4
Especificación de Fusible	15 Amperes (max.)
Dimensiones del Gabinete	182 (A) x 52.2 (P) x 173 (A)
Dimensiones del Panel Frontal	188 (A) x 58 (P) x 21 (A)



CONSIGNES DE SECURITE IMPORTANTE

1. Lisez ces instructions.
2. Gardez ces instructions.
3. Faites attention à tous les avertissements.
4. Suivez toutes les instructions.
5. N'utilisez pas cet appareil près de l'eau.
6. Nettoyez qu'avec un tissu sec.
7. Ne bloquez pas les ouvertures de ventilation. Installez selon les instructions du fabricant.
8. N'installez pas près des sources de chaleur telles que des radiateurs, registres de chaleur, des réchauds ou d'autres appareils (y compris des amplificateurs) qui produisent de la chaleur.
9. Ne défaites pas le but de sécurité d'une prise du type terre ou polarisée. Une prise polarisée a deux rasoirs l'un plus large que l'autre. Une prise du type terre a deux rasoirs et une troisième dent de terre. Le rasoir large ou la troisième dent sont fournis pour votre sécurité. Lorsque la prise fournie ne va pas dans votre sortie consultez un électricien pour un remplacement d'une sortie datée.
10. Voyez à ce que des personnes ne marchent pas dessus la corde d'alimentation et empêchez que celle-ci soit pincée particulièrement aux prises, aux réceptacles de commodité et au point où elle sort de l'appareil.
11. N'utilisez que des attachements/accessoires spécifiés par le fabricant.
12. N'utilisez qu'avec un chariot, un guéridon, un trépied; une équerre, ou une table spécifiés par le fabricant ou vendu avec l'appareil. Lorsqu'un chariot est utilisé, soyez prudent quand vous déplacez le chariot/appareil combinaison pour éviter des blessures d'un renversement.

Avertissement de chariot portable

1. Débranchez l'appareil pendant des orages aux éclairs ou lorsqu'il n'est pas en usage depuis longtemps. .



2. Référez tout l'entretien à un personnel d'entretien qualifié. L'entretien est exigé lorsque l'appareil a été endommagé d'une manière ou d'une autre, telle l'endommagement de la corde d'alimentation ou de la prise, de la liquide a été versée ou des objets sont tombés dans l'appareil, l'appareil a été exposé à la pluie ou à l'humidité excessive, ne fonctionne pas normalement ou est tombé des mains d'un quiconque.

AVERTISSEMENT! Pour réduire le risque d'un choc électrique, n'exposez pas cet appareil à la pluie ou à l'humidité.

AVERTISSEMENT! L'appareil ne sera pas exposé à l'égouttement ou l'esclaboussage et aucun objet rempli de liquides tels des vases, ne sera placé sur l'appareil.

A NOTER : Gardez le niveau de volume tel que vous puissiez être conscient de votre environnement.

A NOTER : UTILISEZ LA BONNE ALIMENTATION! Ce produit est conçu pour opérer avec un système à pile terre négative 12 volts DC. This product is designed to operate with a 12 volt DC negative ground battery system.

INTRODUCTION

Fonctions du système

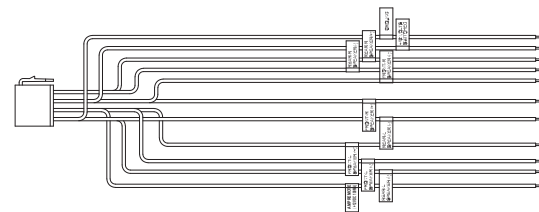
Fonctions du système d'audio marin Jensen MS2013BT comprennent :

- Diode Electro-lumineuse blanche et l'affichage aux cristaux liquides rétro-éclairé
- iPX5 Etanchéité
- Alerte à pile épuisée
- Tuner AM/FM US/EURO avec 30 pré-réglés (12 AM, 18 FM)
- Bluetooth (Soutient A2DP et AVRCP)
- Reproduction USB des fichiers MP3/WMA avec un interface iPod/iPhone
- Assourdissement
- Egaliseur pré-réglé - 5 réglages (USER > FLAT > POP > CLASSIC > ROCK)
- Commandes électroniques de basse, aigu, balance et équilibreur
- Puissance sortie 40W x 4
- Prêt pour la télécommande câblée (MWR150 et MWR75 vendus séparément)
- Sorties niveaux de ligne pré-amplificateur à 2 canaux
- Entrée d'audio auxiliaire (RCA arrière)

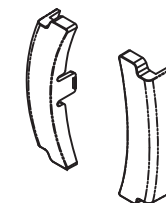
Liste des contenus

- Radio Jensen MS2013BT
- Harnais de câblage
- Trousse de matériel
- Manuel du propriétaire

Trousse de Matériel



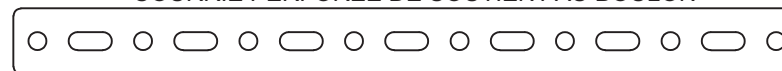
HARNAIS DE CÂBLAGE x 1



COUVERTURES x 2

M5 L'ÉCROU HEXAGONAL x 1 

COURRIE PERFORÉE DE SOUTIENT AU BOULON



INSTALLATION

Avant que vous ne commenciez

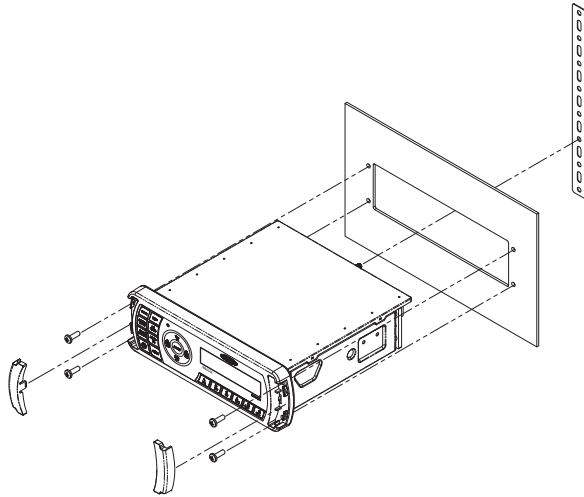
Avant de commencer débranchez toujours la borne négative de la pile.

Notes importantes

- Avant l'installation finale, testez les branchements du câblage pour vous assurer que l'appareil est bien connecté et que le système fonctionne.
- N'utilisez que les pièces incluses avec l'appareil pour garantir une bonne installation. L'utilisation des pièces non-autorisées peut causer des malfunctions.
- Consultez le concessionnaire le plus proche si l'installation a besoin du perçage des trous ou d'autres modifications à votre vaisseau.
- Installez l'appareil là où il n'interfère pas avec la conduite et ne peut pas blesser des passagers s'il y a un arrêt soudain ou d'urgence.
- Evitez d'installer l'appareil là où il sera soumis à des hautes températures des rayons de soleil directs, ou d'un radiateur, ou là où il sera soumis à de la poussière, des ordures ou des vibrations excessives.

Montage par devant

1. Vérifiez l'ouverture du tableau de bord en glissant la radio dedans. Si l'ouverture n'est pas assez large, coupez ou limez comme il faut jusqu'à ce que la radio se glisse facilement dans l'ouverture. Vérifiez qu'il y a assez de place derrière le tableau de bord pour le châssis de la radio.



CAUTION : L'arrière de la radio doit être soutenue avec la courroie pour éviter d'endommager la radio et les structures de support.

2. Placez la radio devant l'ouverture du tableau de bord pour que le câblage puisse être ramené à travers l'ouverture.

3. Suivez le diagramme du câblage avec soin et assurez-vous que toutes les connexions sont sûres pour avoir une bonne opération.
4. Après avoir terminé les connexions de câblage allumez l'appareil pour confirmer l'opération (le commutateur d'accessoire du vaisseau doit être allumé). Si l'appareil ne fonctionne pas, revérifiez tout le câblage jusqu'à ce que le problème soit résolu. Lorsque vous avez une bonne opération, éteignez le commutateur d'accessoire et procédez au montage final du châssis.
5. Glissez avec soin la radio dans l'ouverture en veillant à ce qu'il soit bien orienté.
6. Attachez la radio au tableau de bord en utilisant les écrous fournis.
7. Remplacez les couvertures à chaque côté de la radio.
8. Attachez un bout de la courroie perforée de soutien (fournie) au boulon à l'arrière du châssis en utilisant l'écrou hexagonal et la rondelle fournis. Serrez l'autre bout de la courroie perforée pour attachez une partie sûre du tableau de bord soit au-dessus ou au-dessous de la radio en utilisant l'écrou et la rondelle fournis. Pliez la courroie comme il faut pour la positionner.
9. Testez l'opération de la radio en vous référant aux instructions d'opération pour cet appareil.

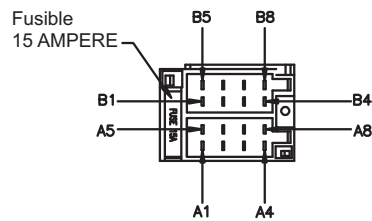
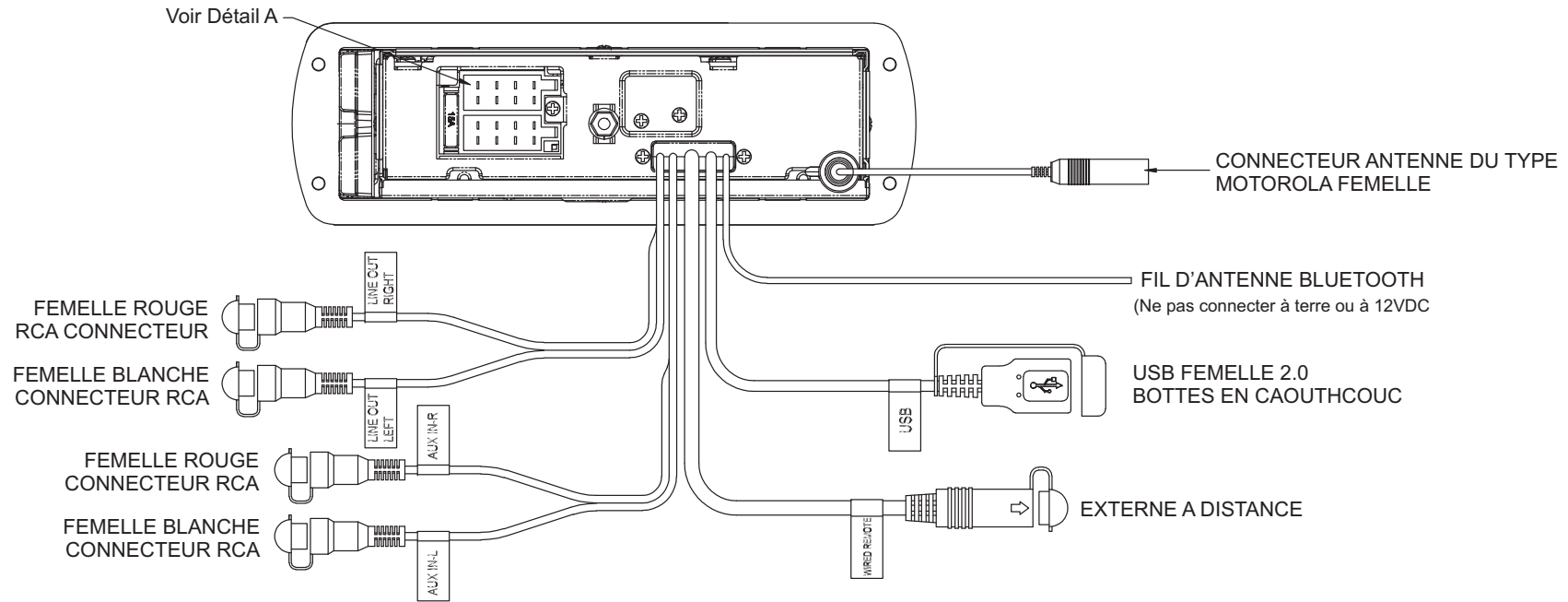
Enlèvement de l'appareil

Pour enlever la radio après l'installation, enlevez les couvertures, dévissez les écrous d'installation et tirez la radio dehors.

Rebranchez la pile

Lorsque le câblage est terminé, rebranchez la borne négative de la pile.

WIRING



DETAIL A
MONTRE DU POINT DE VUE D'AIGUILLE

PIN NO.	DESCRIPTION	Couleur de fil
A1	Haut parleur de gauche arrière	Vert
A2	Haut parleur de gauche avant	Blanc
A3	Haut parleur de droite avant	Gris
A4	Haut parleur de droite arrière	Violet
A5	Haut parleur de gauche arrière	Vert/Noir
A6	Haut parleur de gauche avant	Blanc/Noir
A7	Haut parleur de droite avant	Gris/Noir
A8	Haut parleur de droite arrière(-)	Violet/Noir
B1	Pas de connexion	Vide
B2	Amplificateur à distance	Bleu
B3	Pas de connexion	Vide
B4	Pas de connexion	Vide
B5	Terre	Noir
B6	Pas de connexion	Vide
B7	+12V SWITCHED	Rouge
B8	Pas de connexion	Vide

AMPLIFICATEUR A DISTANCE

Connecter à amplificateur ou à antenne de puissance. S'il n'est pas utilisé, mettez le ruban sur le bout nu.

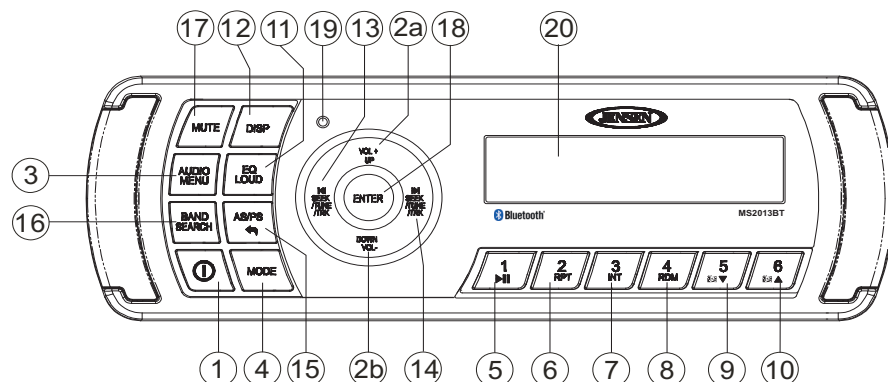
+12V SWITCHED

Connecter à radio existantes le fil et le fusible.

TERRE

Connecter à la connexion à la terre de la batterie.

OPERATION DE BASE



Allumer/Eteindre

Pressez n'importe quel bouton sur le panneau d'avant pour allumer l'appareil. Pressez le bouton puissance (1) pour allumer/éteindre l'appareil.

Commander le volume

Pour augmenter le volume, pressez le bouton **VOL +** (2a). Pour diminuer le volume, pressez le bouton **VOL -** (2b).

Assourdissement

Pressez le bouton **MUTE** (17) sur le panneau de commande pour assourdir la sortie audio. Pressez **MUTE** de nouveau pour rétablir la sortie audio au niveau précédent.

Mode

Pressez le bouton **MODE** (4) sur le panneau de commande pour sélectionner un mode d'opération différent, comme indiqué sur le panneau d'affichage. Des modes disponibles comprennent Tuner, iPod, USB, AUX In (entrée Auxiliaire facultatif), BT Audio.

Reset

Le bouton de réinitialisation doit être activé pour des raisons suivantes :

- installation du départ de l'appareil lorsque le câblage est terminé
- les boutons fonctions ne fonctionnent pas
- symbole erreur sur l'affichage

Utilisez une bille ou un objet semblable pour presser le bouton réinitialisation (19). Ceci peut être nécessaire au cas où l'appareil afficherait un code d'erreur.

Vous pouvez récupérer les réglages d'usine par défaut en utilisant la fonction RESET situé sur le menu système. Avec « RESET » clignotant, pressez le bouton **ENTER** (18) pour activer.

Menu Audio

Pressez le bouton **AUDIO/MENU** (3) sur le panneau de commande pour accéder au menu audio. Vous pouvez naviguer à travers les articles sur le menu audio en pressant le bouton **AUDIO/MENU** plusieurs fois de suite. Lorsque l'article du menu désiré apparaît sur l'affichage ajustez cette option-là en pressant les boutons **VOL +/-** (2) dans 5 secondes. L'appareil va automatiquement quitter le menu audio au bout de cinq secondes d'inactivité. Les articles du menu suivants peuvent être ajustés.

Niveau de basse

Utilisez les boutons **VOL** pour ajustez la gamme de niveau Basse de « -6 » à « +6 ».

Niveau d'aigu

Utilisez les boutons **VOL** pour ajuster la gamme de niveau Aigu de « -6 » à « +6 ».

Balance

Utilisez les boutons **VOL** pour ajuster la Balance entre les hauts parleurs de gauche et de droite de « L12 » (tout à fait à gauche) à « R12 » (tout à fait à droite).

Equilibreur

Utilisez les boutons **VOL** pour ajuster l'Equilibreur entre les hauts parleurs d'arrière et d'avant de « R12 » (tout à fait à l'arrière) à « F12 » (tout à fait à l'avant).

Menu Système

1. Pressez et maintenez le bouton **AUDIO/MENU** (3) pendant plus de 3 secondes pour entrer dans le menu système. « MENU » apparaîtra sur l'affichage suivi par le premier article du menu « CONTRAST ».
2. Pressez le bouton **SEEK/TUNE/TRK >>|** ou **<<|** (14, 13) ou bien pressez le bouton **AUDIO/MENU** plusieurs fois de suite pour naviguer le menu système et sélectionner l'article désiré.
3. Pressez les boutons **VOL +/-** (2) pour ajuster l'article du menu sélectionné.
4. Pressez le bouton **AS/PS** (15) pour retourner à l'opération précédente.

Les articles suivants peuvent être ajusté :

- CONTRAST (0 – 10) : Régler le contraste pour l'affichage aux cristaux liquides.
- LOW BATT (ON/OFF) : Surveiller le voltage sur la ligne ACC.
- DISTANT/LOC : Le mode « Local » favorise l'accès aux stations locales dont les signaux sont plus forts, améliorant la réception. Sélectionner « Distant » pour terminer le mode de réception locale et reprendre le mode normal.
- AREA (USA/Latin/Europe) : Réglez l'espacement de fréquence pour des régions diverses.
- VOL PGM (0 – 46) : Sélectionnez un volume d'allumage automatique.
- BEEP TONE (ON/OFF) : Allumer/éteindre la tonalité bip (entendu lorsque les boutons/fonctions sont sélectionnés). A NOTER : Eteindre la tonalité bip n'affectera pas la tonalité audible de LOW BATT).
- LCD BRIT (0-10) : Ajustez la brillance d'affichage aux cristaux liquides.
- BT ON/OFF : Choisissez « BT ON » ou « BT OFF ».
- BT PAIR (ON/OFF) : Choisissez « YES » pour automatiquement apparier un dispositif précédemment apparier.
- BT DEVICE (Lock/Unlock, Disconnect/Connect, Delete) : Visionnez, verrouillez et effacez depuis une liste des modèles du dispositif téléphoniques précédemment apparier.

- **RESET** : Retourner l'EEPROM aux valeurs par défaut d'usine. « RESET va clignoter sur l'affichage aux cristaux liquides pour confirmer. Pressez le bouton **ENTER** (18) pour sélectionner.

A NOTER : Les choix menu BT Pair et BT Device ne sont disponibles que lorsque la fonction BT est ON et la radio est en mode BT Audio.

Opération LOW BATTERY

Si LOW BATT est réglé à « ON », un alarme va sonner (8 bips toutes les 30 secondes) lorsque le voltage baisse jusqu'à 10.8V (+/- 0.3V). Un avertissement visuel (LOBA) va apparaître clignotant (8 clignotements toutes les 30 secondes) dans le coin gauche inférieur de l'affichage aux cristaux liquides.

A NOTER : « OFF » est un réglage par défaut pour LOW BATT. Si l'audio est assourdi ou le volume est réglé à 0, le bip audible ne sera pas entendu.

Egaliseur

Pressez le bouton **EQ/LOUD** (11) pour allumer la fonction d'égalisation et sélectionner entre les cinq courbes basse et aigu prédéfinies : USER > FLAT > POP > CLAS > ROCK.

Intensité

Pressez et maintenez le bouton **EQ/LOUD** (11) pour basculer l'intensité allumée/éteinte.

Lorsque vous écoutez à la musique à des volumes bas cette fonction va augmenter les gammes de basse et d'aigu pour compenser les caractéristiques de l'ouïe humaine.

Entrée auxiliaire

Pour accéder à un dispositif auxiliaire :

1. Connectez le lecteur audio portable aux câbles Aux In à l'arrière de la radio.
2. Pressez le bouton **MODE** (4) pour sélectionner le mode Aux In.
3. Pressez **MODE** de nouveau pour annuler le mode Aux In et changer au mode prochain.

L'affichage aux cristaux liquides (LCD)

La fréquence actuelle et les fonctions activées se montrent sur le panneau d'affichage aux cristaux liquides (20).

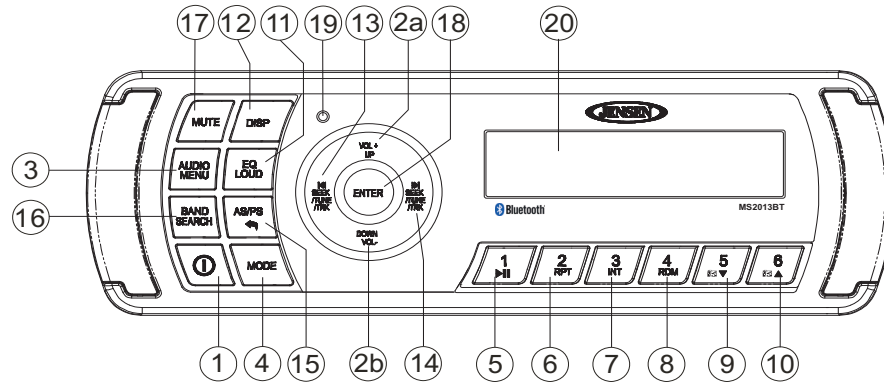
A NOTER : Des panneaux d'affichage aux cristaux liquides peuvent mettre plus longtemps à répondre lorsqu'ils sont soumis à des températures foides pour une période prolongée. En outre, la visibilité des numéros sur l'affichage aux cristaux liquides peut diminuer légèrement. L'affichage aux cristaux liquides va retourner à normal lorsque la température augmente pour atteindre le niveau normal.

Clé pour sortie rapide ↩

Dans les modes et conditions suivants, pressez le bouton **AS/PS** ↩ (15) pendant plus de 3 secondes pour quitter rapidement l'opération actuelle sans attendre le temps mort par défaut du système.

- Opération menu du système
- Mode recherche
- Opération menu audio

OPERATION TUNER



Sélectionnez une bande

Pressez le bouton **BAND/SEARCH** (16) pour changer entre les trois bandes FM et deux bandes AM (MW).

Syntonisation à la main

Pressez les boutons **SEEK/TUNE/TRK** |<< ou >>| (13, 14) pour chercher des stations vers le haut/vers le bas étape par étape.

Syntonisation à recherche automatique

Pressez et maintenez les boutons **SEEK/TUNE/TRK** |<< ou >>| (13, 14) pour chercher automatiquement la station forte prochaine ou précédente.

Des stations prérégées

Six boutons numérotés prérégés mettent en mémoire et rappellent des stations pour chaque bande.

Mettre une station en mémoire

Sélectionnez une bande (s'il le faut), et puis sélectionnez une station. Pressez et maintenez un bouton prérégé (5-10) pendant deux secondes. Le numéro prérégé va apparaître dans l'affichage.

Rappeler une station

Sélectionnez une bande (s'il le faut). Pressez un bouton prérégé (5-10) pour sélectionner la station mise en mémoire correspondante.

Mise en mémoire automatique/Scan prérégé(AS/PS ↵)

Mise en mémoire automatique

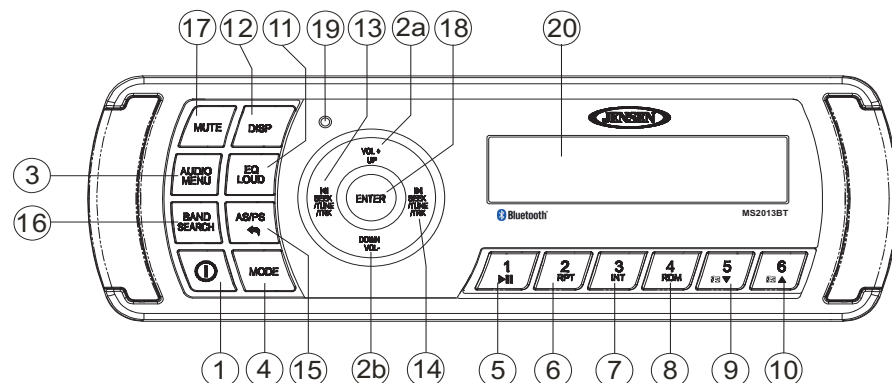
Sélectionnez une bande (s'il le faut). Pressez et maintenez le bouton **AS/PS** ↵ (15) pendant plus de trois secondes pour sélectionner automatiquement six stations fortes et les mettre en mémoire dans la bande actuelle. Les nouvelles stations remplacent des stations déjà mises en mémoire dans cette bande.

A NOTER : Pendant la mise en mémoire automatique (AS), le tuner va se retourner par défaut au mode « Local » en scanant la bande au départ. Après avoir scané la bande tout entière une fois, l'appareil va changer au mode « Distant » pour toute la syntonisation Auto Store ultérieure.

Scan prérégé

Sélectionnez une bande (s'il le faut). Pressez le bouton **AS/PS** ↵ (15) pour scanner des stations mises en mémoire dans la bande actuelle. L'appareil va s'arrêter pendant dix secondes à chaque station prérégée. Pressez le bouton **AS/PS** ↵ de nouveau pour arrêter le scan lorsque vous avez la station désirée.

OPERATION MP3/WMA



Besoins du fichier MP3/WMA

Cet appareil peut jouer MP3 (MPEG1, 2, 2.5 Audio Layer 2/3) et WMA (version 7/8/9).

Exigences Média

Les formats suivants sont disponibles pour la média utilisée dans cet appareil. Le nombre maximum de caractères utilisé pour le nom du fichier, y compris le délimiteur (« . ») et l'extension à trois caractères sont indiqués en parenthèse.

- ISO 9660 Level 1 (11 caractères)
- ISO 9660 Level 2 (31 caractères)
- Joliet (31 caractères)
- Romeo (31 caractères)

La média reproductible sur cet appareil a les limitations suivantes :

- Le nombre maximum de dossiers emboîtés : 8
- Le nombre maximum de fichier par dispositif : 999
- Le nombre maximum de dossiers par dispositif : 99

Utilisez les réglages suivants lorsque vous comprenez des données audio dans des données MP3 avec un encodeur MP3.

- Taux du transfert du bit : 32 - 320 kbps
- Fréquence d'échantillonnage
 - MPEG1 : 32/44.1/48 KHz
 - MPEG2 : 16/22.05/24 KHz
 - MPEG2.5 : 8/11.025/12KHz
 - WMA : 22/32/44/48KHz
- Nom de fichier/répertoire maximum : 64 bytes

Support ID3

Cet appareil soutient des versions étiquette ID3 1.0, 1.1, 2.0 et 2.3 (Max 32 bytes).

Installation d'un dispositif USB

Insérer votre clé USB dans le connecteur USB transporté depuis l'arrière de la radio. L'appareil va automatiquement chercher des fichiers MP3 et WMA sur le dispositif et commencer la

reproduction. Vous pouvez accéder le mode USB depuis n'importe quel autre mode en pressant le bouton **MODE** (4).

AVERTISSEMENT : N'enlevez pas le dispositif lorsque le mode USB PLAY est actif. Pressez MODE (4) pour changer à un autre mode avant d'enlever le dispositif.

Commander la reproduction

Pause/Play

Pressez le bouton **1 >||** (5) pour suspendre la reproduction. Pressez le bouton **1 >||** de nouveau pour reprendre la reproduction.

Sélection de chanson

Pressez le bouton **SEEK/TUNE/TRK >>>** (14) ou **<<<** (13) pendant moins d'une seconde pour avancer jusqu'au prochain fichier; ou pressez et maintenez pour faire avance ou recul rapides. La reproduction commencer lorsque le bouton est relâché.

Répéter (RPT)

Pressez le bouton **2 RPT** (6) pour jouer le fichier actuel plusieurs fois de suite. Pressez **2 RPT** de nouveau pour répéter toutes les chansons dans le dossier actuel. Pressez **2 RPT** une troisième fois pour reprendre la reproduction normale.

Intro Scan (INT)

Pressez le bouton **3 INT** (7) une fois pour jouer les dix premières secondes de chaque fichier dans le dossier actuel. Pressez **3 INT** de nouveau pour jouer les dix premières secondes de chaque fichier dans le dossier actuel. Lorsque vous avez le fichier désiré, pressez **3 INT** une troisième fois pour terminer le scan et jouer le fichier sélectionné.

Aléatoire (RDM)

Pressez le bouton **4 RDM** (8) pour jouer d'une manière aléatoire tous les fichiers dans le dossier actuel. Pressez **4 RDM** de nouveau pour jouer de manière aléatoire tous les fichiers sur le dispositif. Pressez **4 RDM** une troisième fois pour reprendre la reproduction normale.

Naviguer les dossiers

Pressez le bouton **5** (9) pour aller au dossier précédent et commencer la reproduction à partir de la première chanson dans le dossier. Pressez **6** (10) pour avancer jusqu'au prochain dossier et commencer la reproduction à partir de la première chanson dans le dossier.

Information d'affichage alternatif

Pressez le bouton **DISP** (12) pour changer l'information d'affichage dans l'ordre suivant : ALBUM > SONG TITLE > ARTIST > FILE X of Y > ALBUM.

Recherche répertoire MP3/WMA

1. Pressez **BAND/SEARCH** (16) pour entrer dans le mode de recherche répertoire.
2. Pressez le bouton **ENTER** (18) pour confirmer le mode de recherche. L'affichage aux cristaux liquides va afficher la liste des dossiers.
3. Naviguer la liste des dossiers en pressant les boutons **VOL +/-** (2).
4. Pressez le bouton **ENTER** pour sélectionner un dossier. L'affichage aux cristaux liquides va afficher la liste des fichiers dans ce dossier.
5. Naviguer la liste des fichiers en pressant les boutons **VOL +/-**.
6. Pressez le bouton **ENTER** pour sélectionner un fichier.

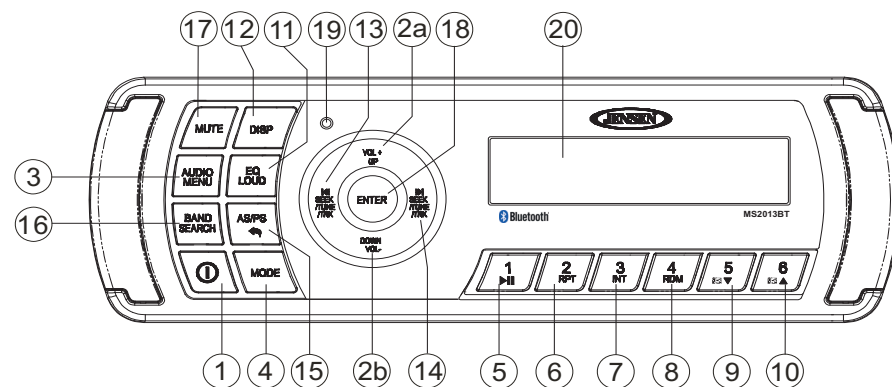
OPÉRATION iPod

Cet appareil est équipé d'une fonction prête pour l'iPod qui vous permettra de commander votre iPod (si compatible) en utilisant les boutons du panneau de commande. Les versions iPod suivantes sont supportées :

- iPod Nano 5G, iPod Nano 6G
- iPod 5G
- iPod Classic
- iPhone 4, iPhone 4S
- iPod Touch 3G, iPod Touch 4G

A NOTER : Les modèles anciens de l'iPod peut ne pas être supporté parce qu'ils ne mettent pas en oeuvre le protocole de commande de l'USB. Aussi; l'iPod Shuffle n'est pas supporté parce qu'il n'utilise pas le connecteur iPod Apple à 30 aiguille. Ces modèles iPod non-supportés peuvent être branché à la radio en utilisant l'une des entrées Auxiliaires.

Accéder au mode iPod



Connectez un iPod ou un iPhone supporté au connecteur USB. L'icône iPod s'illumine au coin gauche inférieur de l'affichage aux cristaux liquides chaque fois qu'un iPod ou un iPhone est attaché à un connecteur USB. La reproduction de la musique commence immédiatement.

Pour entrer dans le mode iPod de n'importe quelle autre source, pressez le bouton **MODE** (4) jusqu'à ce que « USB » apparaisse sur l'affichage. **Si l'utilisateur connecte un iPod qui ne contient pas de chansons, la radio va afficher un message disant « No Songs » lorsqu'il entre dans le mode iPod.**

Allumer/Eteindre l'iPod

La puissance iPod s'allume automatiquement lorsqu'un iPod est connecté au connecteur USB aussi longtemps que le commutateur d'allumage du véhicule est allumé. Vous pouvez éteindre l'iPod en le débranchant ou en éteignant le commutateur d'allumage. Quand le commutateur d'allumage est éteint, l'iPod va faire pause et puis entrer dans le mode sommeil au bout de 2 minutes. Lorsque l'iPod est connecté; la puissance ne peut pas être allumée ni éteinte depuis l'iPod lui-même.

A NOTER : L'iPod va se recharger de manière continue lorsqu'il est connecté à l'appareil, aussi longtemps que le commutateur d'allumage du véhicule est allumé.

Commander la reproduction

Sélectionner des chansons

Pendant la reproduction, pressez le bouton **SEEK/TUNE/TRK >>|** (14) pour jouer la chanson prochaine dans la catégorie actuelle. Pressez le bouton **SEEK/TUNE/TRK |<<** (13) deux fois pour jouer la chanson précédente.

Pressez et maintenez le bouton **SEEK/TUNE/TRK |<< / >>|** (13/14) pour faire avance ou recul rapides sur la chanson.

Suspendre la reproduction

Pendant la reproduction, pressez le bouton **1/>||** (5) pour suspendre le lecteur iPod.

« PAUSE » va apparaître sur l'affichage aux cristaux liquides. Pressez **1/>||** de nouveau pour reprendre la reproduction.

Répéter la reproduction

Pendant la reproduction, pressez le bouton **2 RPT** (6) pour répéter la chanson actuelle.

« REPEA » va apparaître sur l'affichage aux cristaux liquides. Pressez **2 RPT** de nouveau pour arrêter la reproduction répétée.

Reproduction aléatoire

Pendant la reproduction, pressez le bouton **4 RDM** (8) pour jouer toutes les chansons dans la catégorie actuelle dans un ordre aléatoire. La reproduction aléatoire va commencer dès que la chanson actuelle se termine. « SHUFF » va apparaître sur l'affichage aux cristaux liquides.

Pressez **4 RDM** de nouveau pour arrêter la reproduction aléatoire.

A NOTER : Si vous pressez et maintenez le bouton SEEK/TUNE/TRK |<< / >>| pour changer la chanson actuelle à la chanson prochaine/précédente, vous sortirez du mode avance/recul rapides.

Information d'affichage alternatif

Pressez le bouton **DISP** (12) pour changer l'information d'affichage dans l'ordre suivant : ARTIST > TITLE > FOLDER > FILE NAME > ARTIST.

Mode recherche

Pressez le bouton **BAND/SEARCH** (16) pour entrer dans le mode de recherche iPod et choisissez à partir des critères de recherche suivants : Liste d'écoute, Artist, Album, Chanson, Genre ou Compositeur (en séquence).

Lorsque le mode de recherche est sélectionné, pressez le bouton **ENTER** (18) pour confirmer la sélection. Utilisez les boutons **VOL +/-** (2) pour naviguer à travers les sélection des listes diverses. Pressez **ENTER** (18) pour effectuer votre sélection finale.

OPERATION BLUETOOTH

Le MS2013BT comprend la technologie Bluetooth encastree qui vous permettra de connecter cet appareil à des dispositifs Bluetooth pour un jet de reproduction audio.

Au sujet de Bluetooth

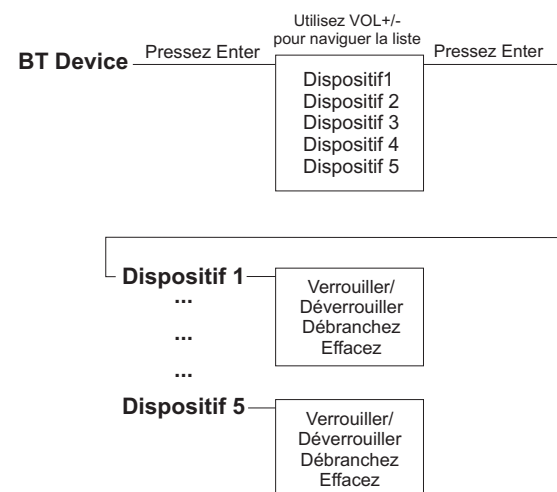
Bluetooth est une technologie de connectivité radio sans fil à portée courte développée comme un remplacement de câble pour des dispositifs électroniques divers. Bluetooth fonctionne dans la gamme de fréquence 2.4 GHz et transmet de la voix et des données à des vitesses qui vont jusqu'à 1 mégaoctet par seconde. Bluetooth a été lancé par un groupe d'intérêt spécial (SIG) comprenant Ericsson Inc., Intel Corp., Nokia Corp., Toshiba et IBM en 1998 et est développé actuellement par près de 2000 sociétés dans le monde. La marque Bluetooth et les logos sont la propriété du Bluetooth SIG, Inc., et tout utilisation de ces marques est sous licence. D'autres marques déposées et noms commerciaux sont ceux de leur propriétaires respectifs.

Options Menu Bluetooth

A NOTER : Veuillez noter que certaines options menu BT ne sont disponibles que lorsque l'appareil est en mode Audio BT.

Pressez et maintenez le bouton **AUDIO/MENU** (3) pour entrer dans le mode d'ajustement menu. Pressez le bouton **AUDIO/MENU** plusieurs fois de suite pour accéder aux options Menu Bluetooth suivant :

- **BT ON/OFF** : Pressez le bouton **VOL+** ou **VOL-** pour choisir « BT ON » ou « BT OFF », et puis pressez le bouton **ENTER** (18) pour sélectionner.
- **BT PAIR** : Pressez le bouton **VOL+** ou **VOL-** pour choisir « ON » ou « OFF », et puis pressez le bouton **ENTER** pour sélectionner.
- **BT DEVICE** : Pressez le bouton **ENTER** pour voir une liste des modèles des dispositifs de téléphones portables précédemment appariés. Pressez les boutons **SEEK/TUNE/TRK** (13, 14) pour voir des dispositifs depuis une liste. Vous ne pouvez effacer un dispositif qui est activement connecté. Pressez le bouton **ENTER** pour sélectionner le dispositif. Pressez le bouton **VOL+** ou **VOL-** pour choisir Verrouiller/Déverrouiller, Débranchez ou Effacer pour ce dispositif.
 - **LOCK/UNLOCK** : Le MS2013BT peut mettre en mémoire jusqu'à 5 dispositifs pour une connexion BT. Les dispositifs sont mis en mémoire dans l'ordre FIFO (Premier Venu Premier Sorti). Pour empêcher qu'un dispositif ne soit sorti d'une liste lorsqu'il y a plus de 5 dispositifs vous devez verrouiller le dispositif. Pour Verrouiller/Déverrouiller un dispositif, pressez le bouton **ENTER** pour afficher/changer l'icône Verrouillé (🔒) ou Déverrouillé (🔓).
 - **DISCONNECT** : Pour débrancher un dispositif apparié pressez le bouton **ENTER** pour temporairement enlever le lien BT. Le lien peut être rétabli à travers votre menu téléphone en sélectionnant le MS2013BT pour branchement.
 - **DELETE** : Pour effacer un dispositif dans une liste; pressez le bouton **ENTER**.



Apparier un Dispositif Bluetooth

Avant de commencer, consultez le manuel du propriétaire pour un dispositif Bluetooth que vous voulez apparier avec le MS2013BT.


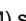
1. Assurez-vous que le dispositif est allumé et prêt à recevoir un signal du MS2013BT. Avec le MS2013BT en mode BT Audio, choisissez BT PAIR depuis le menu MS2013BT et pressez le bouton VOL- pour sélectionner ON. L'appareil est prêt à connecter à un dispositif du téléphone portable. Avec la fonction BT du dispositif du téléphone portable allumé, chercher pour un dispositif Bluetooth.
2. Lorsque le dispositif Bluetooth a terminé sa recherche, le téléphone portable affichera le nom du dispositif Bluetooth (MS2013BT).
3. Sélectionnez MS2013BT. L'icône BT AUDIO (🎵) sur l'affichage aux cristaux liquides de la radio va afficher.
4. Entrez le mot de passe de l'appariement (0000) si vous êtes prié.

Après une connexion réussie, vous êtes capable d'écouter de la musique mise en mémoire sur votre dispositif activé Bluetooth à travers la radio.

Répondre à un appel

Lorsque vous répondez à un appel en utilisant un téléphone connecté, BT AUDIO va faire pause. Après avoir accroché BT AUDIO va continuer sur certains téléphones. Il peut être nécessaire de presser le bouton play pour reprendre BT AUDIO.

BT Audio (A2DP)

La musique A2DP est disponible pour des téléphones activés Bluetooth lorsque le téléphone est branché. Pour accéder au mode Bluetooth et jouer des chansons mises en mémoire sur votre téléphone, pressez le bouton **MODE** (4). Lorsque vous êtes en mode BT , l'icône BT AUDIO () s'allume sur l'affichage aux cristaux liquides.

Sélectionner des chansons

Pendant la reproduction, pressez le bouton **SEEK/TUNE/TRK** |<< / >>| (13/14) pour jouer la chanson précédente ou prochaine.

Suspendre la reproduction

Pendant la reproduction, pressez le bouton **1/>||** (5) pour suspendre le lecteur BT AUDIO. « BT AUDIO » apparaîtra sur l'affichage aux cristaux liquides. Pressez **1/>||** de nouveau pour reprendre la reproduction.

Si vous changez à un autre mode, l'audio du téléphone portable va faire pause. Pressez le bouton **MODE** (4) pour revenir au mode BT et reprendre la reproduction audio du téléphone portable.

A NOTER : Si un dispositif Bluetooth est débranché parce que la puissance est éteinte ou si le dispositif est débranché accidentellement, l'appareil va automatiquement chercher pour le téléphone portable BT apparié lorsque la puissance est rétablie.

SOIN ET MAINTENANCE

- Gardez le produit sec. S'il arrive à se mouiller, essayez avec un tissu immédiatement. Des liquides peuvent contenir des minerais qui peuvent corroder les circuits électroniques.
- Gardez le produit loin de la poussière et des ordures qui peuvent user prématurément les pièces.
- Manipulez le produit doucement et soigneusement. Le laisser tomber peut endommager des circuits et peut donner une malfonction du produit.
- Essayez le produit avec un tissu moite pour qu'il apparaisse neuf. N'utilisez pas de produits chimiques corrosifs, des solutions de nettoyage ou des détergents forts pour nettoyer le produit.
- Utilisez et stockez le produit à des températures environnantes. Des hautes températures peut raccourcir la vie des dispositifs électroniques, endommager les piles et tordre ou couler des pièces en plastique.

Commutateur d'allumage

La source la plus commune du bruit dans la réception est le système du commutateur d'allumage. C'est le résultat lorsque la radio est placée trop près du système du commutateur d'allumage (moteur). Ce type de bruit peut être facilement détecté parce qu'il variera en intensité avec la vitesse du moteur.

Normalement, le bruit du commutateur d'allumage peut être supprimé considérablement en utilisant un type de câble d'allumage à haut voltage de la suppression de la radio et un résisteur supprimeur dans le système du commutateur d'allumage. (La plupart des vaisseaux emploie ce fil et résisteur, mais il peut être nécessaire de les vérifier pour une opération correcte). Une autre méthode de suppression est l'utilisation des supprimeurs de bruit supplémentaires. Ceux-ci peuvent être obtenus de la plupart des boutiques de fournitures électroniques ou la radio CB/A.

Interférence

La réception radio dans un environnement mobile est très différent de la réception dans un environnement stable (chez soi). Il est très important de comprendre la différence.

La réception AM va se détériorer lorsque vous passez sous un pont ou sous les lignes de haut voltage. Bien que AM soit soumis à du bruit environnemental, il a la capacité de recevoir à des grandes distances. Ceci parce que les signaux d'émission suivent la courbe de la terre et sont réfléchis dans l'atmosphère supérieure.

DEPANNAGE

Symptôme	Cause	Solution
Pas de puissance	L'interrupteur d'accessoire du vaisseau n'est pas allumé	Si la puissance est bien branchée à la borne d'accessoire du vaisseau, changez le commutateur d'allumage à « ACC ».
	Fusible a sauté	Remplacez le fusible.
Pas de son	Le volume est trop bas	Ajustez le volume à des niveaux audibles.
	Le câblage n'est pas bien branché	Vérifiez le branchement du câblage.
Les clés d'opération ne fonctionnent pas	Le micro-ordinateur encastéré ne fonctionne pas bien à cause du bruit.	Pressez le bouton réinitialisation (19).
Ne peut syntoniser à la station de radio, recherche automatique ne marche pas	Câble d'antenne n'est pas branché	Insérer le câble d'antenne de manière ferme.
	Les signaux sont trop faibles	Sélectionnez une station à la main.

SPECIFICATIONS

FM Radio

Couverture de fréquence (USA)	87.5 to 107.9 MHz
Couverture de fréquence (Europe)	87.5 to 108 MHz
Sensibilité (S/N=30dB)4µV
Rejet d'image	> 45 dB
Séparation de stéréo.....	> 25 dB

AM/MW

Gamme de fréquence (USA)	530-1710 kHz
Gamme de fréquence (Latin)	520-1620 kHz
Gamme de fréquence (Europe)	522-1620 kHz
Sensibilité (S/N=20dB)	30 dB

Général

Voltage d'opération	DC 12 Volts
Système de terre.....	Terre négative
Impédance haut parleur	4-8 ohms par canal
Commandes de tonalité :	
Basse (à 100 Hz)	±14 dB
Aigu (à 10 kHz)	±13 dB
Sortie de puissance.....	40W x 4
Rating du fusible	15 Ampere (max.)
Dimensions du châssis	182(L) x 52.2(W) x 173(H)
Dimensions du panneau d'avant.....	188(L) x 58(W) x 21(H)



ASA Electronics Corporation

www.asaelectronics.com

www.jensenmarinedirect.com

©2012 ASA Electronics Corporation

v.060512