

RIPTIDE ST

BOW-MOUNT TROLLING MOTOR

USER MANUAL

CE MASTER USER MANUAL (FOR CE/C-TICK CERTIFIED MODELS)

Conforms to 89/336/EEC (EMC) under standards EN 55022A, EN 50082-2 since 1996 LN V9677264

THANK YOU

Thank you for choosing Minn Kota. We believe that you should spend more time fishing and less time positioning your boat. That's why we build the smartest, toughest, most intuitive trolling motors on the water. Every aspect of a Minn Kota trolling motor is thought out and rethought until it's good enough to bear our name. Countless hours of research and testing provide you the Minn Kota advantage that can truly take you "Anywhere. Anytime." We don't believe in shortcuts. We are Minn Kota. And we are never done helping you catch more fish.

REMEMBER TO KEEP YOUR RECEIPT AND IMMEDIATELY REGISTER YOUR TROLLING MOTOR.

A registration card is enclosed or you can complete registration on our website at minnkotamotors.com.

NOTE: Do not return your Minn Kota motor to your retailer. Your retailer is not authorized to repair or replace this unit. You may obtain service by: calling Minn Kota at (800) 227-6433; returning your motor to the Minn Kota Factory Service Center; sending or taking your motor to any Minn Kota authorized service center. A list of authorized service centers is available on our website, at minnkotamotors.com. Please include proof of purchase, serial number and purchase date for warranty service with any of the above options.

Please thoroughly read this user manual. Follow all instructions and heed all safety and cautionary notices below. Use of this motor is only permitted for persons that have read and understood these user instructions. Minors may use this motor only under adult supervision.

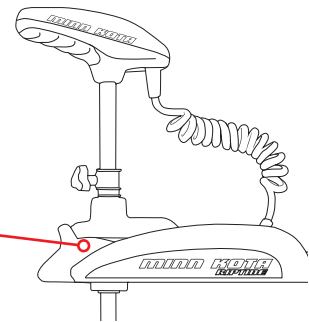
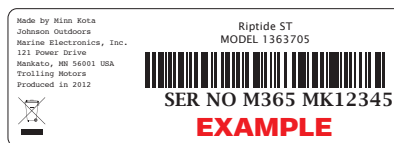
ATTENTION: Never run the motor out of the water, as this may result in injuries from the rotating propeller. The motor should be disconnected from the power source when it is not in use or is off the water. When connecting the power-supply cables of the motor to the battery, ensure that they are not kinked or subject to chafe and route them in such a way that persons cannot trip over them. Before using the motor make sure that the insulation of the power cables is not damaged. Disregarding these safety precautions may result in electric shorts of battery(s) and/or motor. Always disconnect motor from battery(s) before cleaning or checking the propeller. Avoid submerging the complete motor as water may enter the lower unit through control head and shaft. If the motor is used while water is present in the lower unit considerable damage to the motor can occur. This damage will not be covered by warranty.

CAUTION: Take care that neither you nor other persons approach the turning propeller too closely, neither with body parts nor with objects. The motor is powerful and may endanger or injure you or others. While the motor is running watch out for persons swimming and for floating objects. Persons whose ability to run the motor or whose reactions are impaired by alcohol, drugs, medication, or other substances are not permitted to use this motor. This motor is not suitable for use in strong currents. The constant noise pressure level of the motor during use is less than 70dB(A). The overall vibration level does not exceed 2,5m/sec².

LOCATING YOUR SERIAL NUMBER

Your Minn Kota 11-character serial number is very important. It helps to determine the specific model and year of manufacture. When contacting Consumer Service or registering your product, you will need to know your product's serial number. We recommend that you write the serial number down in the space provided below so that you have it available for future reference.

The serial number on your Riptide ST is located inside the mount, below the motor rests.



Model: _____

Serial Number: _____

Purchase Date: _____

Store Where Purchased: _____

TABLE OF CONTENTS

Two-Year Limited Warranty	4
Features	5
Mount Installation	8
Battery & Wiring Installation	7-9
Boat Rigging & Product Installation	7
Conductor Gauge and Circuit Breaker Sizing Table	7
Selecting the Correct Batteries	8
Connecting the Batteries	8-9
Push-to-Test Battery Meter	9
Motor Wiring Diagram	10
Using The Motor	11-13
Stowing & Deploying	11
AutoPilot Controls	12
Adjusting the Depth of the Motor	12
Installing an External Transducer	13
Service & Maintenance	14
Troubleshooting & Repair	15
Environmental Compliance Statement	16
Parts Diagram	17
Parts List	18-19

TWO-YEAR LIMITED WARRANTY

WARRANTY ON MINN KOTA SALTWATER TROLLING MOTORS

Johnson Outdoors Marine Electronics, Inc. ("JOME") extends the following limited warranty to the original retail purchaser only. Warranty coverage is not transferable.

MINN KOTA LIMITED TWO-YEAR WARRANTY ON THE ENTIRE PRODUCT

JOME warrants to the original retail purchaser only that the purchaser's new Minn Kota saltwater trolling motor will be materially free from defects in materials and workmanship appearing within two (2) years after the date of purchase. JOME will (at its option) either repair or replace, free of charge, any parts found by JOME to be defective during the term of this warranty. Such repair, or replacement shall be the sole and exclusive liability of JOME and the sole and exclusive remedy of the purchaser for breach of this warranty.

MINN KOTA LIMITED LIFETIME WARRANTY ON COMPOSITE SHAFT

JOME warrants to the original retail purchaser only that the composite shaft of the purchaser's Minn Kota trolling motor will be materially free from defects in materials and workmanship appearing within the original purchaser's lifetime. JOME will provide a new composite shaft, free of charge, to replace any composite shaft found by JOME to be defective during the term of this warranty. Providing a new composite shaft shall be the sole and exclusive liability of JOME and the sole and exclusive remedy of the purchaser for breach of this warranty; **and purchaser shall be responsible for installing, or for the cost of labor to install, any new composite shaft provided by JOME.**

EXCLUSIONS & LIMITATIONS

This limited warranty does not apply to products that have been used commercially or for rental purposes. This limited warranty does not cover normal wear and tear, blemishes that do not affect the operation of the product, or damage caused by accidents, abuse, alteration, modification, shipping damages, acts of God, negligence of the user or misuse, improper or insufficient care or maintenance. **DAMAGE CAUSED BY THE USE OF OTHER REPLACEMENT PARTS NOT MEETING THE DESIGN SPECIFICATIONS OF THE ORIGINAL PARTS WILL NOT BE COVERED BY THIS LIMITED WARRANTY.**

The cost of normal maintenance or replacement parts which are not in breach of the limited warranty are the responsibility of the purchaser. Prior to using products, the purchaser shall determine the suitability of the products for the intended use and assumes all related risk and liability. Any assistance JOME provides to or procures for the purchaser outside the terms, limitations or exclusions of this limited warranty will not constitute a waiver of the terms, limitations or exclusions, nor will such assistance extend or revive the warranty. JOME will not reimburse the purchaser for any expenses incurred by the purchaser in repairing, correcting or replacing any defective products or parts, except those incurred with JOME's prior written permission. **JOME'S AGGREGATE LIABILITY WITH RESPECT TO COVERED PRODUCTS IS LIMITED TO AN AMOUNT EQUAL TO THE PURCHASER'S ORIGINAL PURCHASE PRICE PAID FOR SUCH PRODUCT.**

MINN KOTA SERVICE INFORMATION

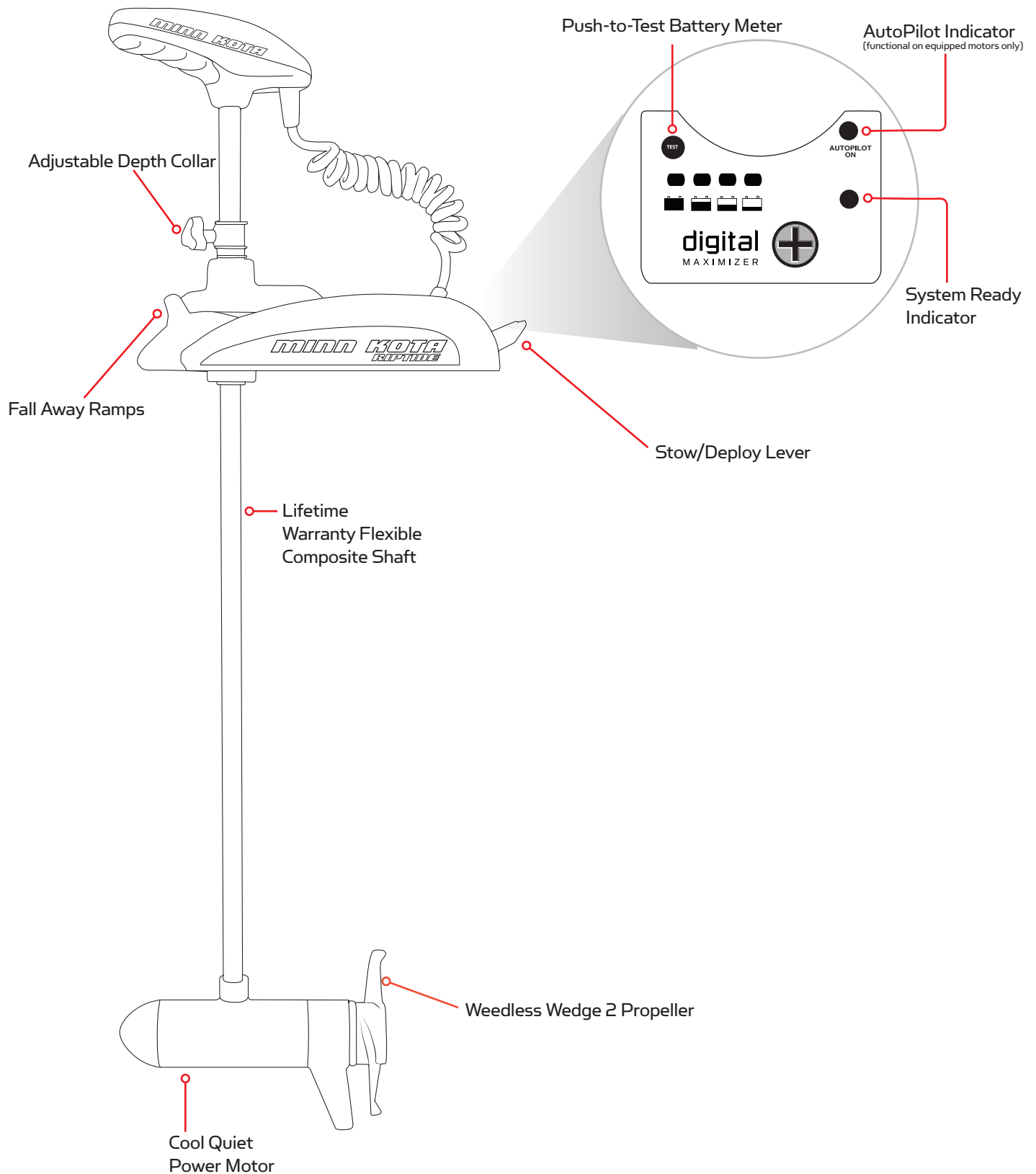
To obtain warranty service in the U.S., the product believed to be defective, and proof of original purchase (including the date of purchase), must be presented to a Minn Kota Authorized Service Center or to Minn Kota's factory service center in Mankato, MN. Any charges incurred for service calls, transportation or shipping/freight to/from the Minn Kota Authorized Service Center or factory, labor to haul out, remove, re-install or re-rig products removed for warranty service, or any other similar items are the sole and exclusive responsibility of the purchaser. Products purchased outside of the U.S. must be returned prepaid with proof of purchase (including the date of purchase and serial number) to any Authorized Minn Kota Service Center in the country of purchase. Warranty service can be arranged by contacting a Minn Kota Authorized Service Center or by contacting the factory at 1-800-227-6433 or email service@minnkotamotors.com. **Products repaired or replaced will be warranted for the remainder of the original warranty period [or for 90 days from the date of repair or replacement, whichever is longer]. For any product that is returned for warranty service that JOME finds to be not covered by or not in breach of this limited warranty, there will be a billing for services rendered at the prevailing posted labor rate and for a minimum of at least one hour.**

NOTE: Do not return your Minn Kota product to your retailer. Your retailer is not authorized to repair or replace products.

THERE ARE NO EXPRESS WARRANTIES OTHER THAN THESE LIMITED WARRANTIES. IN NO EVENT SHALL ANY IMPLIED WARRANTIES INCLUDING ANY IMPLIED WARRANTIES OF MERCHANTABILITY OR FITNESS FOR PARTICULAR PURPOSE, EXTEND BEYOND THE DURATION OF THE RELEVANT EXPRESS LIMITED WARRANTY. IN NO EVENT SHALL JOME BE LIABLE FOR PUNITIVE, INDIRECT, INCIDENTAL, CONSEQUENTIAL OR SPECIAL DAMAGES. Without limiting the foregoing, JOME assumes no responsibility for loss of use of product, loss of time, inconvenience or other damage.

Some states do not allow limitations on how long an implied warranty lasts or the exclusion or limitation of incidental or consequential damages, so the above limitations and/or exclusions may not apply to you. This warranty gives you specific legal rights and you may also have other legal rights which vary from state to state.

FEATURES



Specifications subject to change without notice.

*This diagram is for reference only and may differ from your actual motor.

MOUNT INSTALLATION

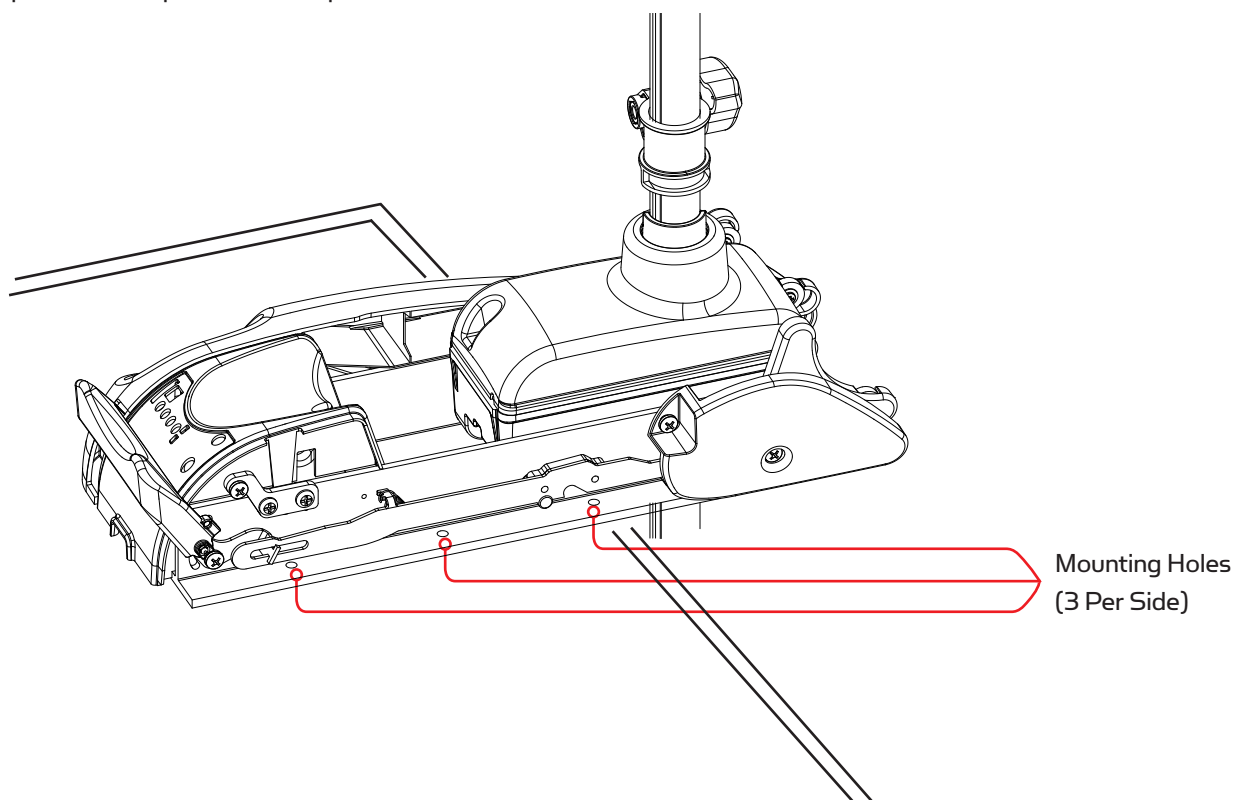
TOOLS AND RESOURCES REQUIRED:

- #3 Phillips Screw Driver
- Drill
- 9/32" Drill Bit
- 7/16" Box End Wrench
- A second person to help with the installation

1. Remove the four sideplate screws. Remove the right sideplate and swing the left sideplate out and away from the base extrusion.
2. Place the motor on the bow of the boat in the deployed position.
 - a. We recommend that the motor be mounted as close to the centerline of the boat as possible.
 - b. Make sure that the area under the mounting location is clear and unobstructed for drilling and accessible for you to attach nuts and washers.
 - c. Make sure the mount is positioned so that the shaft is out beyond the rub rail of the boat by 1-1/2". The lower unit, as it is lowered into the water or raised into the boat, must not encounter any obstructions.

CAUTION: Make sure the motor is mounted on a level surface and is not connected to a power source. Use the rubber washers to create a level surface if necessary.

3. Once in position, mark four of the six holes (two on each side) provided in the bow mount base for drilling. If possible, use the four holes that are farthest apart. Drill through the marked holes using the 9/32" drill bit.
4. Mount the plate to the bow using the provided bolts, nuts, and washers.
5. Replace the sideplates and sideplate screws.



BATTERY WIRING & INSTALLATION

BOAT RIGGING & PRODUCT INSTALLATION

For safety and compliance reasons, we recommend that you follow American Boat and Yacht Council (ABYC) standards when rigging your boat. Altering boat wiring should be completed by a qualified marine technician. The following specifications are for general guidelines only:

CAUTION: These guidelines apply to general rigging to support your Minn Kota motor. Powering multiple motors or additional electrical devices from the same power circuit may impact the recommended conductor gauge and circuit breaker size. If you are using wire longer than that provided with your unit, follow the conductor gauge and circuit breaker sizing table below. If your wire extension length is more than 25 feet, we recommend that you contact a qualified marine technician.

An over-current protection device (circuit breaker or fuse) must be used. Coast Guard requirements dictate that each ungrounded current-carrying conductor must be protected by a manually reset, trip-free circuit breaker or fuse. The type (voltage and current rating) of the fuse or circuit breaker must be sized accordingly to the trolling motor used. The table below gives recommended guidelines for circuit breaker sizing.

Reference:

United States Code of Federal Regulations: 33 CFR 183 – Boats and Associated Equipment
 ABYC E-11: AC and DC Electrical Systems on Boats

CONDUCTOR GAUGE AND CIRCUIT BREAKER SIZING TABLE

Motor Thrust / Model	Max Amp Draw	Circuit Breaker	Wire Extension Length *				
			5 feet	10 feet	15 feet	20 feet	25 feet
30 lb.	30	50 Amp @ 12 VDC	10 AWG	10 AWG	8 AWG	6 AWG	4 AWG
40 lb., 45 lb.	42		10 AWG	8 AWG	6 AWG	4 AWG	4 AWG
50 lb., 55 lb.	50	60 Amp @ 12 VDC	8 AWG	6 AWG	4 AWG	4 AWG	2 AWG
70 lb.	42	50 Amp @ 24 VDC	10 AWG	10 AWG	8 AWG	8 AWG	6 AWG
80 lb.	56	60 Amp @ 24 VDC	8 AWG	8 AWG	8 AWG	6 AWG	6 AWG
101 lb.	46	50 Amp @ 36 VDC	8 AWG	8 AWG	8 AWG	8 AWG	8 AWG
Engine Mount 101	50	60 Amp @ 36 VDC	8 AWG	6 AWG	4 AWG	4 AWG	2 AWG
112 lb.	52	60 Amp @ 36 VDC	8 AWG	8 AWG	8 AWG	8 AWG	8 AWG
Engine Mount 160	116	(2) x 60 Amp @ 24 VDC	2 AWG	2 AWG	2 AWG	2 AWG	2 AWG
E-Drive	40	50 Amp @ 48 VDC	10 AWG	10 AWG	10 AWG	10 AWG	10 AWG

This conductor and circuit breaker sizing table is only valid for the following assumptions:

1. No more than 3 conductors are bundled together inside of a sheath or conduit outside of engine spaces.
2. Each conductor has 105° C temp rated insulation.
3. No more than 5% voltage drop allowed at full motor power based on published product power requirements.

***Wire Extension Length refers to the distance from the batteries to the trolling motor leads.**

SELECTING THE CORRECT BATTERIES

The motor will operate with any lead acid, deep cycle marine 12 volt battery/batteries. For best results, use a deep cycle, marine battery with at least a 105 ampere hour rating. Maintain battery at full charge. Proper care will ensure having battery power when you need it, and will significantly improve the battery life. Failure to recharge lead-acid batteries (within 12-24 hours) is the leading cause of premature battery failure. Use a multi-stage charger to avoid overcharging. We offer a wide selection of chargers to fit your charging needs. If you are using a crank battery to start a gasoline outboard, we recommend that you use a separate deep cycle marine battery/batteries for your Minn Kota trolling motor.

Advice Regarding Batteries:

- Never connect the (+) and the (-) terminals of the same battery together. Take care that no metal object can fall onto the battery and short the terminals. This would immediately lead to a short and extreme fire danger.
- It is highly recommended that a circuit breaker or fuse be used with this trolling motor. Refer to “Conductor Gauge and Circuit Breaker Sizing Table” in the previous section to find the appropriate circuit breaker or fuse for your motor. For motors requiring a 60-amp breaker, the Minn Kota MKR-19 60-amp circuit breaker is recommended.

CONNECTING THE BATTERIES

12 VOLT SYSTEMS:

1. Make sure that the motor is switched off (speed selector on “OFF” or “O”).
2. Connect positive (+) red lead to positive (+) battery terminal.
3. Connect negative (-) black lead to negative (-) battery terminal.
4. For safety reasons do not switch the motor on until the propeller is in the water.

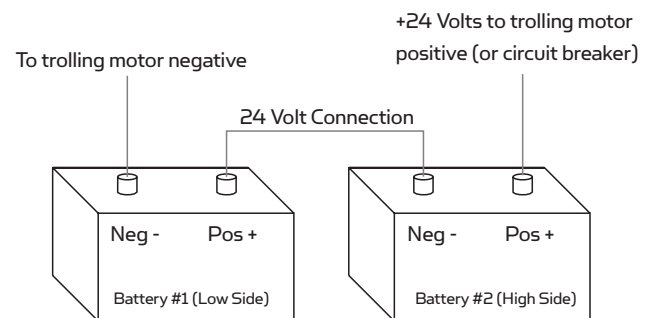
CAUTION:

For safety reasons, disconnect the motor from the battery/batteries when the motor is not in use or while the battery/batteries are being charged.

CONNECTING THE BATTERIES IN SERIES (IF REQUIRED FOR YOUR MOTOR)

24 VOLT SYSTEMS:

1. Make sure that the motor is switched off (speed selector on “O”).
2. Two 12 volt batteries are required.
3. The batteries must be wired in series, only as directed in wiring diagram, to provide 24 volts.
 - a. Connect a connector cable to the positive (+) terminal of battery 1 and to the negative (-) terminal of battery 2.
 - b. Connect positive (+) red motor lead to positive (+) terminal on battery 2.
 - c. Connect negative (-) black motor lead to negative (-) terminal of battery 1.
4. For safety reasons do not switch the motor on until the propeller is in the water. If installing a leadwire plug, observe proper polarity and follow instructions in your boat owner’s manual. See wiring diagram on following pages.



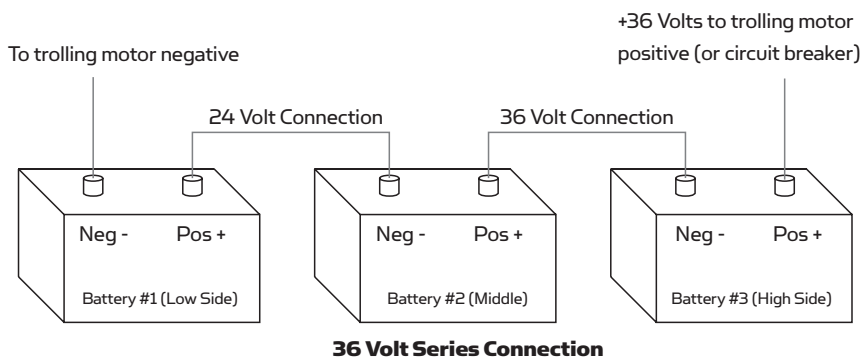
24 Volt Series Connection

CAUTION

- **For safety reasons, disconnect the motor from the battery or batteries when the motor is not in use or while the battery/batteries are being charged.**
- **Improper wiring of 24/36 volt systems could cause battery explosion!**
- **Keep leadwire wing nut connections tight and solid to battery terminals.**
- **Locate battery in a ventilated compartment.**

36 VOLT SYSTEMS:

1. Make sure that the motor is switched off (speed selector on "0").
2. Three 12 volt batteries are required.
3. The batteries must be wired in series, only as directed in wiring diagram, to provide 36 volts.
 - a. Connect a connector cable to the positive (+) terminal of battery 1 and to the negative (-) terminal of battery 2 and another connector cable from the positive (+) terminal of battery 2 to the negative (-) terminal of battery of battery 3.
 - b. Connect positive (+) red motor lead to positive (+) terminal on battery 3.
 - c. Connect negative (-) black motor lead to negative (-) terminal of battery 1.
4. For safety reasons do not switch the motor on until the propeller is in the water. If installing a leadwire plug, observe proper polarity and follow instructions in your boat owner's manual. See wiring diagram on following pages.



CAUTION

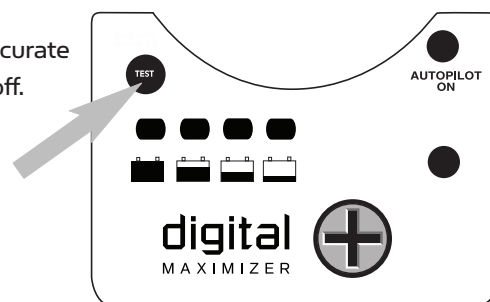
- **Improper wiring of 24/36 volt systems could cause battery explosion!**
- **Keep leadwire wing nut connections tight and solid to battery terminals.**
- **Locate battery in a ventilated compartment.**
- **For safety reasons, disconnect the motor from the battery or batteries when the motor is not in use or while the battery/batteries are being charged.**

PUSH-TO-TEST BATTERY METER

This motor is equipped with a "push-to-test" battery meter. The LED provides an accurate display of the remaining charge in the battery. It is only accurate when the motor is off.

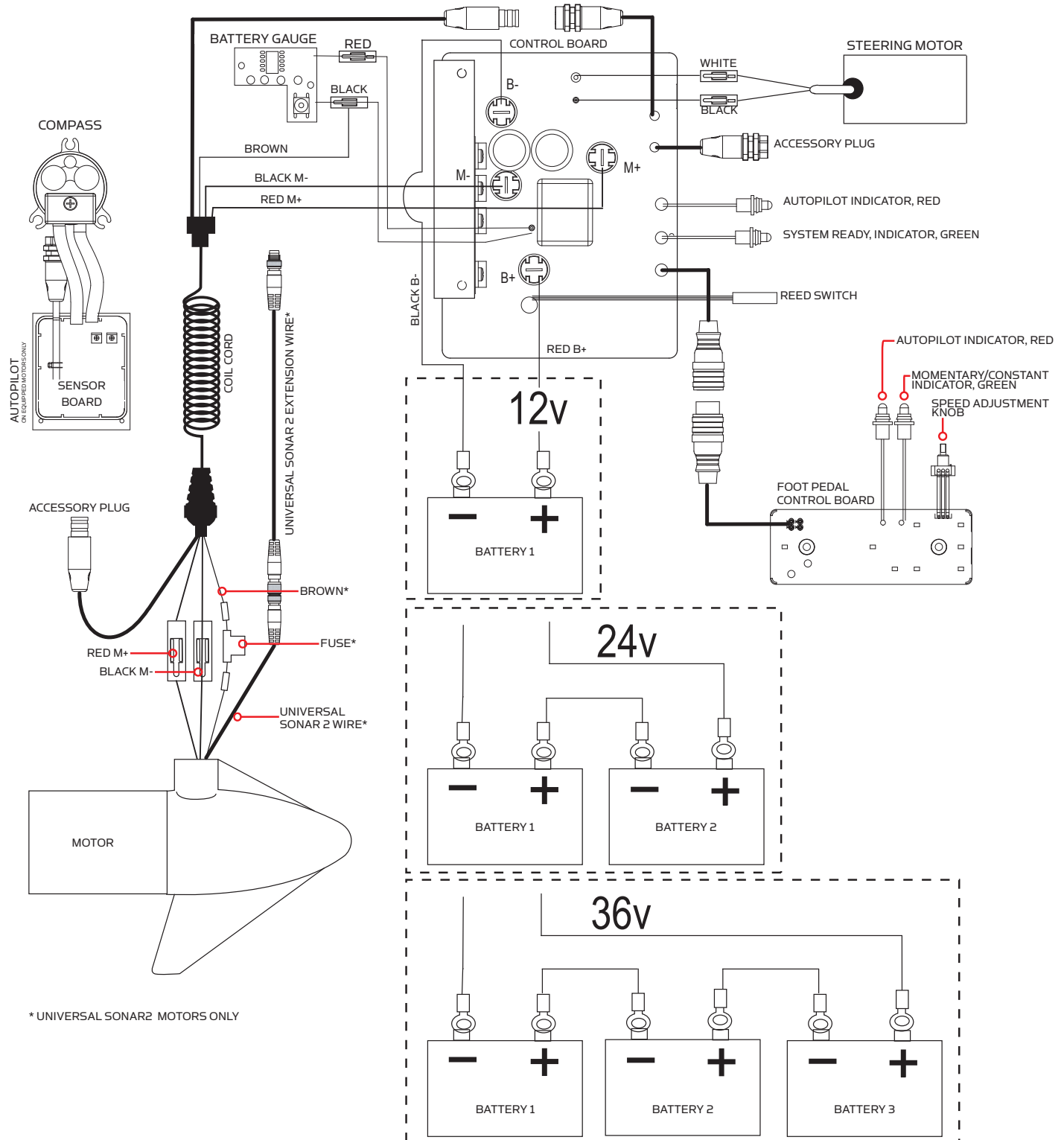
The meter reads as:

- One light indicates recharge.
- Two lights indicate low charge.
- Three lights indicate good charge.
- Four lights indicate full charge.



MOTOR WIRING DIAGRAM

NOTE: This is a universal, multi-voltage diagram. Double check your motor's voltage for proper connections. Over-Current Protection Devices not shown in this illustration.



USING & ADJUSTING THE MOTOR

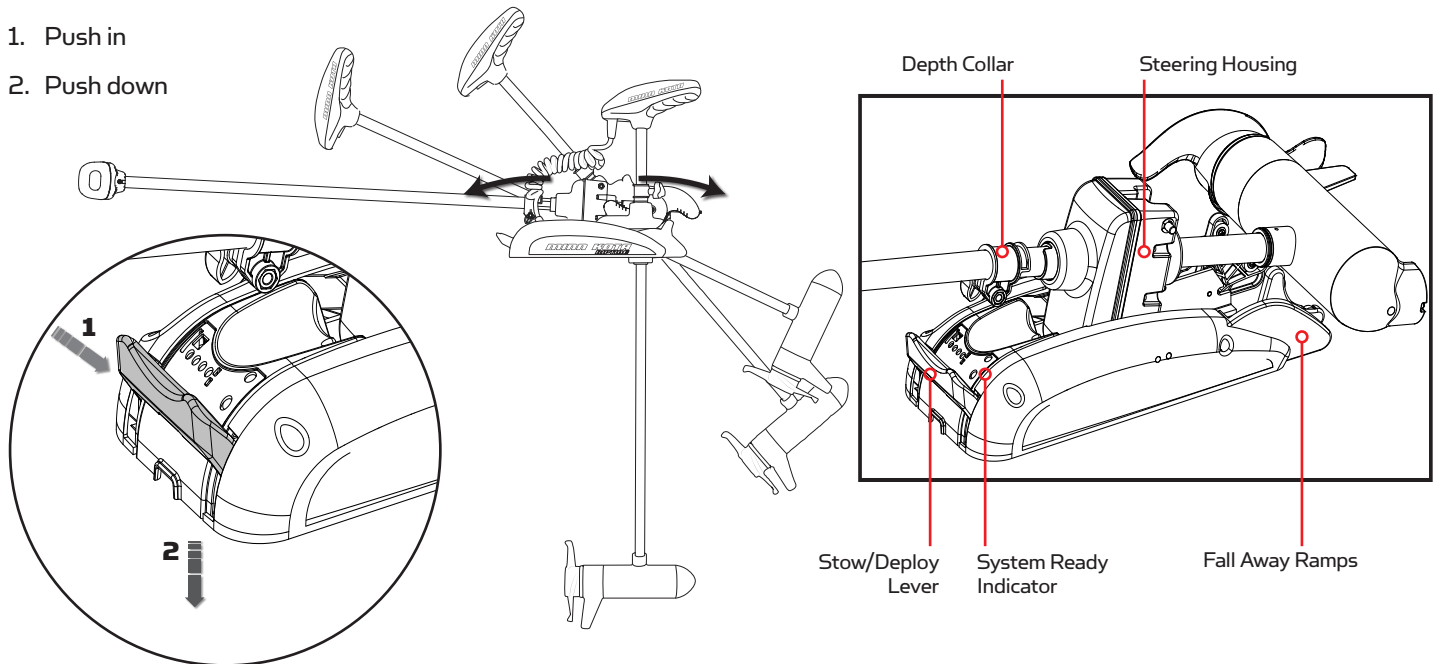
STOWING AND DEPLOYING THE MOTOR

WARNING:

When raising or lowering the motor, keep fingers clear of all hinge and pivot points and all moving parts.

STOW/DEPLOY LEVER OPERATION:

1. Push in
2. Push down



GENERAL

System Ready (green LED): The motor is equipped with a system ready indicator. Indicator light will be on when motor is deployed and power is applied to the motor. When the motor is properly stowed the indicator light will go off indicating all power has been turned off to the motor. If this indicator light does not come on when deployed, check that motor is connected to battery properly and motor is completely deployed. If indicator light does not go off when stowed, be sure that stow/deploy lever is fully latched and locked into the stowed position.

TO DEPLOY THE MOTOR

Push in and rotate the stow/deploy lever down. Gently slide the motor out from the ramps. Lower the motor to the desired depth, making sure that it clicks into a secure, verticle position. The System Ready indicator light (green) will be lit, indicating motor is ready for operation.

TO STOW THE MOTOR

Push and hold the stow/deploy lever down. Gently tilt and pull the composite shaft or control head until the motor engages the motor ramps. Motor should rest on the motor ramps and lock into place. The stow/deploy lever should latch automatically into the stowed position. The system ready indicator light (green) **MUST** go off for the motor to be stowed properly.

TRANSPORTATION

In conditions where the stowed motor is subject to high levels of shock or vibration, ensure the motor is securely stowed. Move the depth collar snug against the steering motor and tighten.

AUTOPILOT™ CONTROLS

(ON AUTOPILOT EQUIPPED MOTORS ONLY)

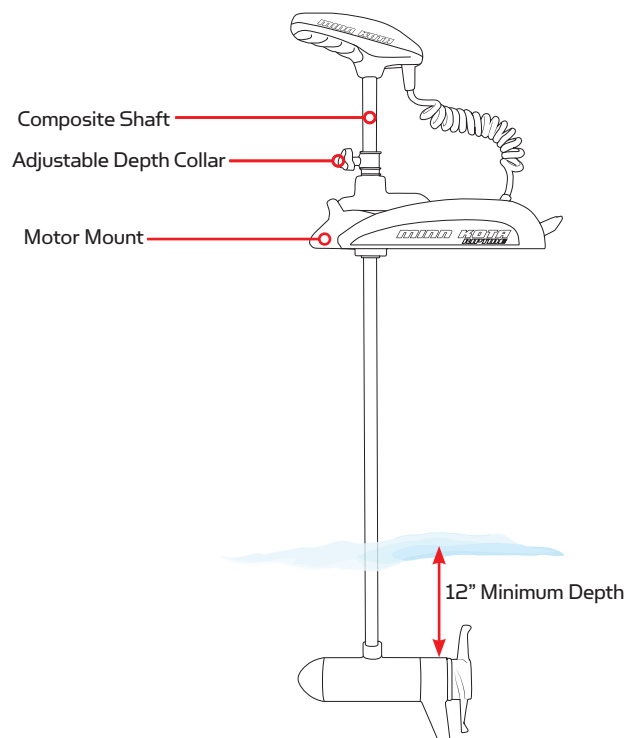
The Minn Kota AutoPilot™ uses a magnetic compass and a microprocessor chip to keep the trolling motor pointed in the direction you want to go. Each time the wind or water current moves the boat off course, the AutoPilot senses the change and steers itself back to the original heading. The AutoPilot direction is set every time a steering change is made. To change direction, steer until the control head points to the desired course. The AutoPilot will pull the bow of the boat around and correct automatically until the boat is moving in the direction you chose.

1. This unit has an automatic steering shutdown for safety. In conditions where an obstruction prevents the trolling motor from turning, or in extremely windy conditions, the automatic steering may stop. Any steering input will reset the system to normal.
2. When the AutoPilot is on and the trolling motor is pulled out of the water to the stow position, the steering motor will continue to run until the motor is stowed properly. Once the motor is stowed properly, AutoPilot will turn off and the System Ready indicator will go off.
3. This unit uses a magnetic compass to detect direction of travel. The compass can be adversely affected by magnets or large, ferrous metal objects near (within 12" of) the trolling motor control head.
4. After steering to a new direction, there is a short delay before the direction is locked in to allow the compass to stabilize.
5. Obstructions on the propeller may cause excessive vibration of the motor head. This vibration can cause the compass to wander and erratic steering to occur. Clear the obstruction to return the motor to normal operation.
6. When broad speed changes are made, the motor heading may change slightly. This is normal.

ADJUSTING THE DEPTH OF THE MOTOR

When setting the depth be sure the top of the motor is submerged at least 12" to avoid churning or agitation of surface water. The propeller must be completely submerged.

1. With the motor deployed, firmly grasp the composite shaft above the mount.
2. Loosen the adjustable depth collar until the shaft slides freely.
3. Raise or lower the motor to the desired depth.
4. Turn the motor control head to the desired position.
5. Tighten adjustable depth collar to secure the motor in place.



INSTALLING AN EXTERNAL TRANSDUCER

An external sonar transducer can be installed onto the motor as shown.

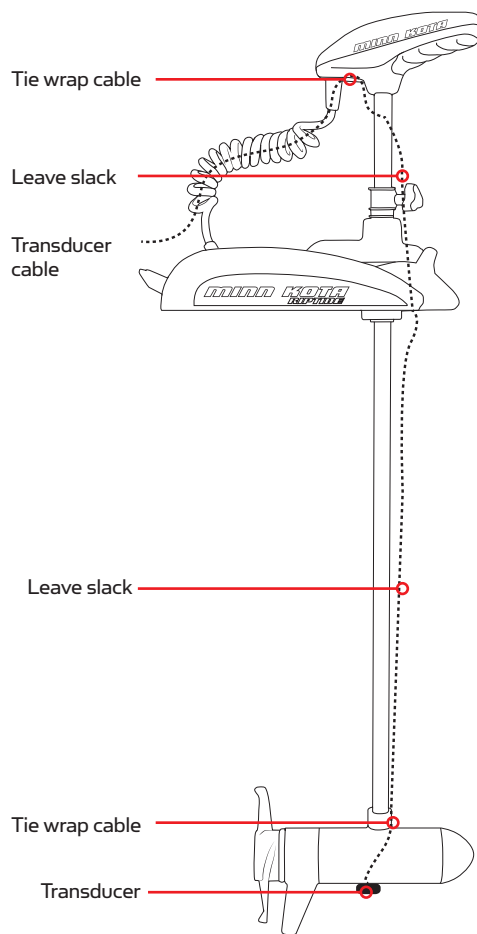
1. Transducer cables should be routed through the coil cable as depicted in the illustration to the right.
2. Leave enough slack for proper stow and deploy.
3. Mount transducer according to transducer instructions.

Note: An external transducer is not included with your trolling motor. Your trolling motor may be pre-installed with a Universal Sonar 2 transducer system. In this case, the transducer is integrated into the motor unit.

For compatibility and more information on Universal Sonar 2, please visit minnkotamotors.com/us2.

ACCESSORY RECOMMENDATIONS:

- Minn Kota Transducer Mounting Kit (MKR-15)



SERVICE & MAINTENANCE

PROPELLER REPLACEMENT

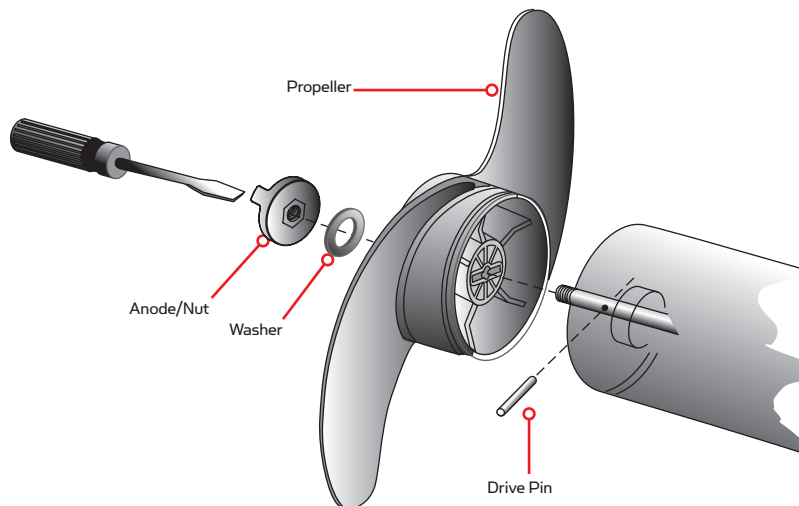
TOOLS AND RESOURCES REQUIRED:

- Box End Wrench
 - 1/2" for motors with 70 lbs thrust or lower.
 - 9/16" for motors with 80 lbs thrust or higher.
- Screwdriver (optional)

CAUTION:

Disconnect the motor from the battery before beginning any prop work or maintenance.

NOTE: The propeller on your motor may differ from the one pictured.



1. Disconnect motor from battery prior to changing the propeller.
2. Hold the propeller and loosen the anode/nut with a wrench.
3. Remove anode/nut and washer. If the drive pin is sheared/broken, you will need to hold the shaft steady with a screwdriver blade pressed into the slot on the end of the shaft.
4. Turn the old prop to horizontal (as illustrated) and pull it straight off. If drive pin falls out, push it back in.
5. Align new propeller with drive pin.
6. Install prop washer and anode/nut.
7. Tighten anode/ nut 1/4 turn past snug. [25-35 inch lbs.] Be careful, over tightening can damage prop.

GENERAL MAINTENANCE

1. After use, the entire motor should be rinsed with freshwater, then wiped down with a cloth dampened with an aqueous based silicone spray.
2. The propeller must be inspected and cleaned of weeds and fishing line after every use. Fishing line and weeds can get behind the prop, damage the seals and allow water to enter the motor.
3. Verify the prop nut is secure each time the motor is used.
4. To prevent accidental damage during transportation or storage, disconnect the battery whenever the motor is off of the water. For prolonged storage, lightly coat all metal parts with an aqueous based silicone spray.
5. For maximum battery life, recharge the battery(s) as soon as possible after use. For maximum motor performance, restore battery to full charge prior to use.
6. Keep battery terminals clean with fine sandpaper or emery cloth.
7. The propeller is designed to provide optimum operation with very high efficiency. To maintain this top performance, the leading edge of the blades must be kept smooth. If they are rough or nicked from use, restore to smooth by sanding with fine sandpaper.

TROUBLESHOOTING & REPAIR

TROUBLESHOOTING THE MOTOR

1. Motor fails to run or lacks power:
 - Check battery connections for proper polarity.
 - Make sure terminals are clean and corrosion free. Use fine sandpaper or emery cloth to clean terminals.
 - Check battery water level. Add water if needed.
2. Motor loses power after a short running time:
 - Check battery charge. If low, restore to full charge.
3. You experience prop vibration during normal operation:
 - Remove and rotate the prop 180°. See removal instructions in the Propeller Replacement Section.
4. Experiencing interference with your fishfinder:
 - You may, in some applications, experience interference in your depth finder display. We recommend that you use a separate deep cycle marine battery for your trolling motor and that you power the depth finder from the starting/cranking battery. If problems still persist, call our service department at 1-800-227-6433.

NOTE: For any other malfunctions, visit an Authorized Service Center. You can search for an Authorized Service Center in your area by visiting our Authorized Service page, found online at minnkotamotors.com, or by calling our customer service number at 800-227-6433.

FOR FURTHER TROUBLESHOOTING AND REPAIR

We offer several options to help you troubleshoot and/or repair your product. Please read through the options listed below.



FREQUENTLY ASKED QUESTIONS

We have FAQs available on our website to help answer all of your Minn Kota questions. Visit minnkotamotors.com and click on “Frequently Asked Questions” to find an answer to your question.



CALL US (FOR U.S. AND CANADA)

Our consumer service representatives are available Monday – Friday between 7:00 a.m. – 4:30 p.m. CST at 800-227-6433. If you are calling to order parts, please have the 11-character serial number from your product, specific part numbers, and credit card information available. This will help expedite your call and allow us to provide you with the best consumer service possible. You can reference the parts list located in your manual to identify the specific part numbers.



EMAIL US

You can email our consumer service department with questions regarding your Minn Kota products. To email your question, visit minnkotamotors.com and click on “Support”.



AUTHORIZED SERVICE CENTERS

Minn Kota has over 300 authorized service centers in the United States and Canada where you can purchase parts or get your products repaired. Please visit our Authorized Service Center page on our website to locate a service center in your area.

COMPLIANCE STATEMENTS

ENVIRONMENTAL COMPLIANCE STATEMENT:

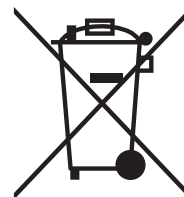
It is the intention of JOME to be a responsible corporate citizen, operating in compliance with known and applicable environmental regulations, and a good neighbor in the communities where we make or sell our products.

WEEE DIRECTIVE:

EU Directive 2002/96/EC “Waste of Electrical and Electronic Equipment Directive (WEEE)” impacts most distributors, sellers, and manufacturers of consumer electronics in the European Union. The WEEE Directive requires the producer of consumer electronics to take responsibility for the management of waste from their products to achieve environmentally responsible disposal during the product life cycle.

WEEE compliance may not be required in your location for electrical & electronic equipment (EEE), nor may it be required for EEE designed and intended as fixed or temporary installation in transportation vehicles such as automobiles, aircraft, and boats. In some European Union member states, these vehicles are considered outside of the scope of the Directive, and EEE for those applications can be considered excluded from the WEEE Directive requirement.

This symbol (WEEE wheelie bin) on product indicates the product must not be disposed of with other household refuse. It must be disposed of and collected for recycling and recovery of waste EEE. Johnson Outdoors Inc. will mark all EEE products in accordance with the WEEE Directive. It is our goal to comply in the collection, treatment, recovery, and environmentally sound disposal of those products; however, these requirements do vary within European Union member states. For more information about where you should dispose of your waste equipment for recycling and recovery and/or your European Union member state requirements, please contact your dealer or distributor from which your product was purchased.



DISPOSAL:

Minn Kota motors are not subject to the disposal regulations EAG-VO (electric devices directive) that implements the WEEE directive. Nevertheless never dispose of your Minn Kota motor in a garbage bin but at the proper place of collection of your local town council.

Never dispose of battery in a garbage bin. Comply with the disposal directions of the manufacturer or his representative and dispose of them at the proper place of collection of your local town council.

WARNING: This product contains chemicals known to the State of California to cause cancer and birth defects or other reproductive harm.

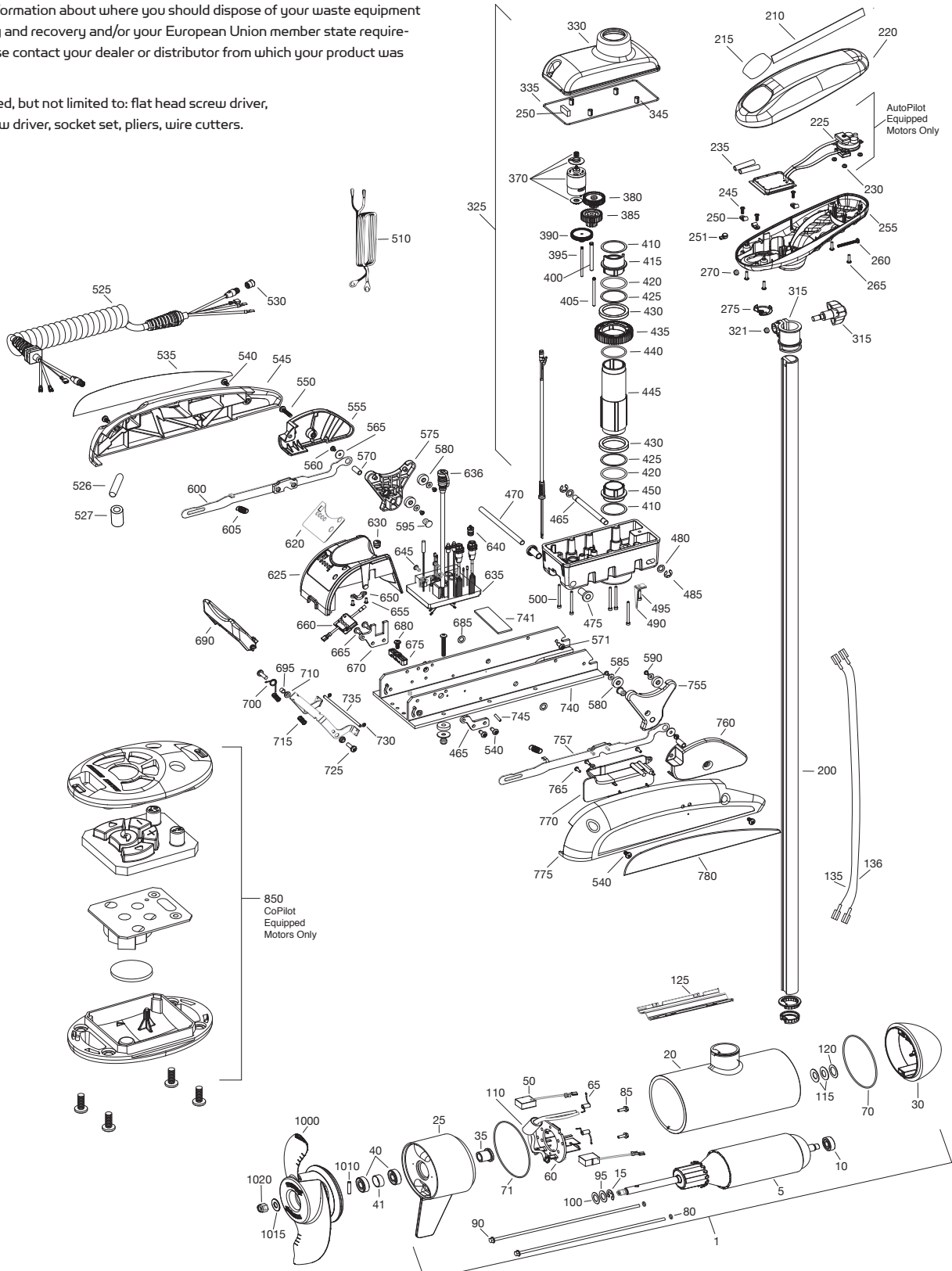
PARTS DIAGRAM

RIPTIDE ST 112

112 LBS THRUST - 36 VOLT - 60"/72" SHAFT

This page provides Minn Kota® WEEE compliance disassembly instructions. For more information about where you should dispose of your waste equipment for recycling and recovery and/or your European Union member state requirements, please contact your dealer or distributor from which your product was purchased.

Tools required, but not limited to: flat head screw driver, Phillips screw driver, socket set, pliers, wire cutters.



PARTS LIST

RIPTIDE ST 112

112 LBS THRUST - 36 VOLT - 60"/72" SHAFT

ITEM	QTY	PART NUMBER	DESCRIPTION
1	1	2777091	36V MOTOR 60" SW W/TUBE
	1	2777093	36V MOTOR 72" SW W/TUBE
5	1	2-100-245	ARMATURE ASSEMBLY
10	1	140-014	BEARING
15	1	788-040	RETAINING RING
20			CENTER HSG. W/TUBE [INCLUDED IN #200]
25	1	2-300-151	BRUSH END HOUSING ASSEMBLY
30	1	421-241	PLAIN END HOUSING ASSEMBLY SW
35	1	144-017	FLANGE BEARING
40	2	880-025	SEAL
41	1	725-095	PAPER TUBE - SEAL BORE
50	2	188-095	BRUSH
60	1	9-738-011	BRUSH PLATE ASSEMBLY
65	2	975-045	BRUSH SPRING
■		2881450	SEAL & O-RING KIT [INCLUDES 40, 70-80]
70	1	701-098	O-RING, PLAIN END
71	1	701-046	O-RING, BRUSH END
80	2	701-009	O-RING, THRU-BOLT
85	2	2053410	SCREW, 10-32 X 1/2"
90	2	830-094	THRU-BOLT 12-24
95	2	990-051	WASHER, STEEL
100	2	990-052	WASHER, NYLATRON
110	1	2777312	FERRITE BEAD W/SHRINK
115	2	992-011	WASHER, BELLEVILLE
120	1	990-011	WASHER, SHIM
125	1	582-016	CLIP, RETAINING, SONAR
135	1	640-044	LEADWIRE, BLACK 60"
136	1	640-144	LEADWIRE, RED 60"
200	1	2777345	TUBE, COMP. 60" SW [INCLUDES 20]
	1	2777346	TUBE, COMP. 72" SW [INCLUDES 20]
210	2	2325666	DECAL, COVER
215	1	2325690	DECAL, CTRL BOX COVER, RT AUTOPILOT
220	1	2320201	COVER, CTRL BOX
225	1	2324032	CTRL BOARD, COMPASS, AUTOPILOT ONLY
230	3	2302960	GROMMET, COMPASS, AUTOPILOT ONLY
235	2	2305415	WIRE INSULATOR
245	3	2372100	SCREW, 8-18 X .625
250	3	2052510	CABLE CLAMP
255	1	2322501	CONTROL BOX
260	1	2332102	SCREW, 10-24
265	4	2372100	SCREW, 8-18 X .625
270	1	2333101	NUT, 10-24
275	1	2224702	PLUG, CTRL BOX
305	1	2771500	DEPTH COLLAR ASSEMBLY
315	1	2260906	KNOB [INCLUDED IN #305]
320	1	2321706	WASHER [INCLUDED IN #305]
321	1	2323102	NUT [INCLUDED IN #305, NOT SHOWN]
325	1	2997028	STEERING HSG. ASY. [INCLUDES 330-500]
330	1	2326502	STEERING HOUSING TOP
335	1	2324604	O-RING, CASE SEAL

ITEM	QTY	PART NUMBER	DESCRIPTION
345	4	2302605	ROLL PIN 5/16
350	1	2308601	BREATHER, FILTER
360	1	2302240	PINION GEAR
365	1	2300265	CAP, MOTOR, PLASTIC
■		2777024	DUAL STEERING MOTOR ASSEMBLY, 36V
370	1	2777025	MOTOR, STEERING, 36V
380	1	2302255	GEAR, CLUSTER 3RD STAGE
385	1	2302250	GEAR, CLUSTER 2ND STAGE
390	1	2302245	GEAR, CLUSTER 1ST STAGE
395	1	2302610	SHAFT, GEAR 1ST STAGE
400	1	2302620	SHAFT, GEAR 3RD STAGE
405	1	2302615	SHAFT, GEAR 2ND STAGE
410	2	2321704	WASHER, THRUST
415	2	2321515	LINER, OUTPUT TUBE
420	2	2324608	O-RING, 224
425	2	2321720	SHIM, O-RING
430	2	2327315	BUSHING, ALUMINUM SPACER
435	1	2322200	GEAR, OUTPUT
440	2	2327314	BUSHING, PRO STEERING SW
445	1	2322031	TUBE, OUTPUT MACHINED
450	1	2321510	COLLAR, DRIVE, BOTTOM
455	1	2326507	STEERING HOUSING, BOTTOM
460	1	2320605	LEADWIRE, STEERING
465	1	2322601	PIN, LATCH, SS
470	1	2322603	PIN, PIVOT, SS
475	2	2327310	BUSHING, PIVOT PIN
480	2	2321702	WASHER, FLAT .375
485	2	2263011	E-RING .375
490	2	2322702	SPRING, LATCH PIN
495	1	2323410	SCREW, 8-32 X .75
500	7	2323408	SCREW, 8-32 X 2
510	1	2090651	LEAWIRE, 10 GA
515	4	2305403	SHRINK TUBE, .5 ID X 1.0 ADHESIVE
520	3	2305410	SHRINK TUBE, .315 OD X 2.25"
521	1	2305415	SHRINK TUBE, .472 OD X 2.25"
525	1	2991271	COIL CORD, 60"
530	1	2320202	CAP, DUST, COIL CORD, NON-AP ONLY
535	1	2325643	DECAL, SIDEPLATE, LEFT
540	4	2323405	SCREW, 1/4-20
545	1	2321916	SIDEPLATE, LEFT
550	2	2323403	SCREW, 1/4-20 X .375 SS
555	1	2321927	SKID, LEFT
560	2	2323422	SCREW, 10-24 X .375
565	2	2321700	WASHER, #10 SS
570	2	2322921	STAND-OFF, ALUMINUM ANODIZED
571	2	2323405	SCREW 1/4-20 X 1/2" MCH SS
575	1	2323907	RAMP, 4.5" LEFT
580	4	2325117	PAD, RUBBER REST
585	4	2321706	WASHER, #8
590	4	2323412	SCREW, 8-18 X .25

PARTS LIST

RIPTIDE ST 112

112 LBS THRUST - 36 VOLT - 60"/72" SHAFT

ITEM	QTY	PART NUMBER	DESCRIPTION
595	2	2324706	INSERT, RAMP
600	1	2994203	ARM, RELEASE, LEFT
605	2	2322710	SPRING, EXTENSION
■	1	2770251	COVER, SPEED CONTROL WITH DECAL
620	1	2325651	DECAL, SPEED CONTROL
625	1	2320211	COVER, SPEED CONTROL
630	1	2322901	STRAIN RELIEF
■		2884050	SWITCH-REED REPAIR KIT
635	1	2324023	CONTROL BOARD, I-PILOT/LINK
	1	2324017	CONTROL BOARD
636	1	2320208	DUST PLUG
640	1	2320203	CAP, DUST, CONTROL BOARD
645	2	2323406	SCREW, 10-24 X
650	1	2321315	HOLDER, CONNECTOR
655	2	2332103	SCREW, 6-20 X .375
660	1	2074082	BATTERY METER, 36V
665	4	2323402	SCREW, 1/4-20 X .375
670	1	2321941	BRACKET, STRAIN RELIEF
675	1	2321310	STRAIN RELIEF, WIRE
680	1	2323405	SCREW, 1/4-20 X .5
685	2	2333100	SPEED NUT, .375
690	1	2320216	HANDLE, RELEASE COVER
695	1	2301700	BUSHING,
700	1	2322701	SPRING, RELEASE HANDLE
710	1	2320401	HANDLE, RELEASE SW
715	2	2322712	SPRING, RELEASE HANDLE
720	2	2322604	BUSHING, HANDLE
725	2	2332104	SCREW, 1/4-20 X .625

ITEM	QTY	PART NUMBER	DESCRIPTION
730	2	2323000	E-CLIP, 3/16, SS
735	1	2322607	PIN, FOLLOWER, HANDLE
740	1	2321906	BASE EXTRUSION, MACHINED
741	1	2321721	SHIM, 2 X 4 X .025"
745	2	2322912	SPRING PIN,
750	1	2321951	BRACKET, SIDEPLATE
755	1	2323902	RAMP, 4.5" RIGHT
757	1	2994201	ARM, RELEASE, RIGHT
760	1	2321922	SKID, RIGHT
765	3	2301310	SCREW, 8-18 X .5
770	1	2370221	COVER, ACCESS, SW
772	1	2374097	COPILOT RECIEVER BOARD
775	1	2321911	SIDEPLATE, RIGHT, SW
780	1	2325642	DECAL, SIDEPLATE, RIGHT
850	1	2994095	REMOTE ASSEMBLY
851	1	2372502	CASE, COVER, TRANSMITTER
860	1	2375112	KEYPAD, TRANSMITTER
865	1		TRANSMITTER BOARD
870	1		BATTERY, TRANSMITTER
875	1	2372505	CASE, BOTTOM, TRANSMITTER
880	4	2373440	SCREW, 4-24
■		1378160	PROPELLER KIT WW2 [1000-1020]
■		2994876	PROPELLER BAG ASSY [1010-1020]
1000	1	2341160	PROPELLER WW2
1010	1	2262658	DRIVE PIN, LARGE
1015	1	2091701	WASHER, PROP, LARGE
1020	1	2198401	NUT, ANODE, NYLOCK, PROP, LARGE
■		2994864	MOUNTING HARDWARE BAG ASSY

■ THIS ITEM IS PART OF AN ASSEMBLY.

*THIS ITEM IS PART OF A KIT AND ONLY LISTED FOR VIEWING PURPOSES.

RECOMMENDED ACCESSORIES

ON-BOARD & PORTABLE BATTERY CHARGERS

Stop buying new batteries and start taking care of the ones you've got. Many chargers can actually damage your battery over time – creating shorter run times and shorter overall life. Digitally controlled Minn Kota chargers are designed to provide the fastest charge that protect and extend battery life.



MK345PC



MK210D



MK110P

TALON SHALLOW WATER ANCHOR

Talon deploys faster, holds stronger and runs quieter than any other shallow water anchor. Available in depths up to 12' and bold color options, it boasts an arsenal of features and innovations that no other anchor can touch:



- Vertical, Multi-Stage Deployment
- User-Selectable Anchoring Modes
- 2x Anchoring Force
- Fast Deploy
- Auto Up/Down
- Triple Debris Shields*
- Built-In Wave Absorption
- Noise Dissipation
- Versatile Adjustments

*available on 10' and 12' models only

MINN KOTA ACCESSORIES

We offer a wide variety of trolling motor accessories, including:



- 60-Amp Circuit Breaker
- Mounting Brackets
- Stabilizer Kits
- Extension Handles
- Battery Connectors
- Battery Boxes
- Quick Connect Plugs

For a complete listing of Minn Kota accessories, visit minnkotamotors.com

Follow us:



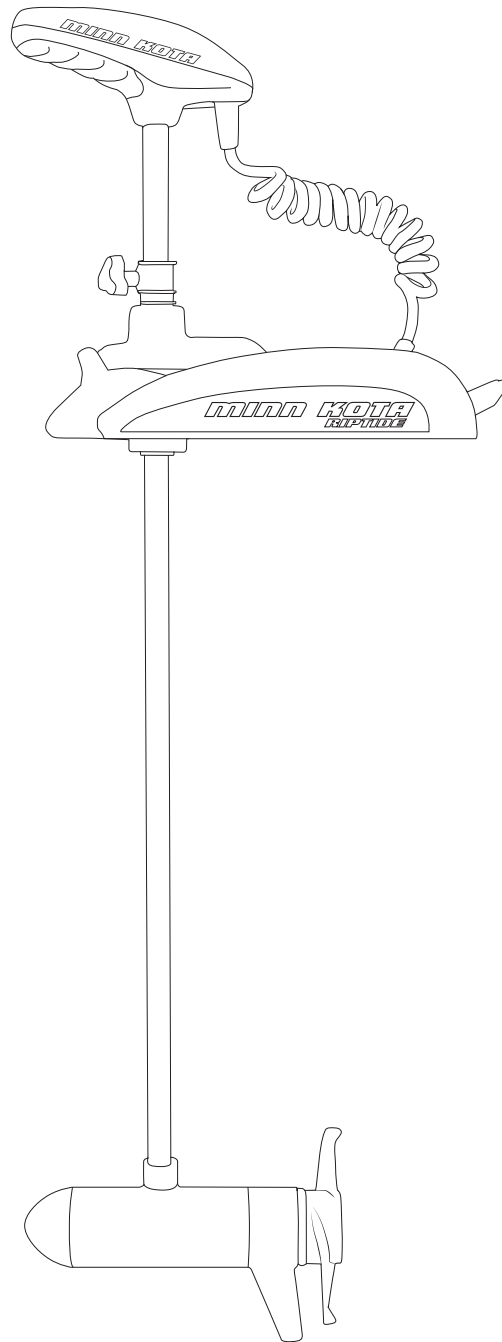
minnkotamotors.com

Minn Kota Consumer & Technical Service
Johnson Outdoors Marine Electronics, Inc.
PO Box 8129
Mankato, MN 56001

121 Power Drive
Mankato, MN 56001
Phone (800) 227-6433
Fax (800) 527-4464



©2015 Johnson Outdoors Marine Electronics, Inc.
All rights reserved.



RIPTIDE ST

MOTEUR DE PÊCHE À LA TRAÎNE
MONTÉ SUR L'ÉTRAVE

MANUEL DE L'UTILISATEUR

MANUEL CE D'UN MASTER (CE/C-TICK CERTIFIED MODELS)

Conforme à la norme 89/336/EEC (EMC) selon les normes EN 55022A, EN 50082-2 depuis 1996 LN V9677264

MERCI

Nous vous remercions d'avoir choisi Minn Kota. Nous sommes persuadés que vous devriez consacrer plus de temps à pêcher et moins de temps à amarrer votre embarcation. C'est pourquoi nous construisons les propulseurs électriques les plus intelligents, les plus solides et les plus intuitifs. Chaque aspect d'un propulseur électrique Minn Kota est envisagé et étudié jusqu'à ce qu'il soit digne de porter notre nom. Des heures incalculables de recherche et d'essai vous assurent les avantages d'un article Minn Kota qui vous mènera n'importe où, et n'importe quand. Notre principe est simple, nous faisons les choses selon les règles. Nous sommes Minn Kota. Et nous ne cesserons jamais de vous aider à pêcher plus de poissons.

N'OUBLIEZ PAS DE CONSERVER VOTRE REÇU ET D'ENREGISTRER IMMÉDIATEMENT VOTRE PROPULSEUR ÉLECTRIQUE.

Un formulaire d'enregistrement est compris ou vous pouvez remplir le formulaire d'enregistrement par Internet sur le site Web minnkotamotors.com.

REMARQUE : ne pas retourner le moteur Minn Kota au détaillant. Le détaillant n'est pas autorisé à réparer ou à remplacer cet appareil. Pour le service communiquer avec Minn Kota au +1 (800) 227-6433; retourner le moteur au Centre de service de l'usine de Minn Kota; envoyer ou apporter le moteur à un centre de service agréé de Minn Kota. Une liste de centres de service agréés est disponible sur notre site Web minnkotamotors.com. Pour obtenir un service au titre de la garantie, y compris toutes les options susmentionnées, veuillez inclure la preuve d'achat, le numéro de série et la date de l'achat.

Veillez lire attentivement ce manuel de l'utilisateur. Suivre toutes les instructions et tenir compte de toutes les consignes de sécurité et les mises en garde décrites ci-dessous. L'utilisation de ce moteur n'est autorisée que pour les personnes qui ont lu et compris ces consignes pour l'utilisateur. Les personnes mineures peuvent utiliser ce moteur uniquement sous la supervision d'un adulte.

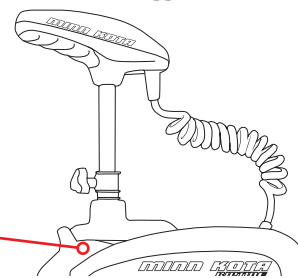
ATTENTION : ne jamais faire fonctionner le moteur hors de l'eau, puisque cela entraînerait des blessures causées par l'hélice en rotation. Le moteur doit être débranché de la source d'alimentation lorsqu'il n'est pas utilisé ou lorsqu'il est hors de l'eau. Au moment de brancher les câbles d'alimentation du moteur à la batterie, veiller à ce qu'ils ne soient pas entortillés ou exposés au frottement, puis les placer de telle manière que les personnes ne puissent pas faire trébucher. Avant d'utiliser le moteur, s'assurer que l'isolant des câbles d'alimentation n'est pas endommagé. Ne pas tenir compte de ces mesures de sécurité peut entraîner des courts-circuits avec les batteries et/ou le moteur. Toujours débrancher le moteur des batteries avant le nettoyage ou la vérification de l'hélice. Éviter de submerger complètement le moteur, car l'eau pourrait pénétrer dans l'unité inférieure par la tête de contrôle et l'arbre. Si le moteur est utilisé alors que de l'eau est présente dans l'unité inférieure, ce dernier pourrait subir des dommages considérables. Ces dommages ne seront pas couverts par la garantie.

ATTENTION : veillez à ce que ni vous, ni les autres personnes ne s'approchent trop près de l'hélice en rotation, que ce soit seulement avec une partie du corps ou des objets. Le moteur est puissant et pourrait provoquer des situations périlleuses ou des blessures, pour vous ou les autres. Lorsque le moteur est en marche, se méfier des objets flottants ou des personnes qui pourraient être en train de nager. Les personnes, dont les réactions ou la capacité à faire fonctionner le moteur est/sont affaiblie (s) par l'alcool, la drogue, les médicaments ou d'autres substances, ne sont pas autorisées à utiliser ce moteur. Ce moteur n'est pas adapté à l'utilisation dans de forts courants. Le niveau de pression sonore constant du moteur au moment de l'utilisation est inférieur à 70 dB (A). Le niveau de vibration général ne dépasse pas 2,5 m/s².

LOCALISATION DU NUMÉRO DE SÉRIE

Le numéro de série à 11 caractères Minn Kota est très important. Il permet de déterminer le modèle spécifique et l'année de fabrication. Lorsque vous contactez le service à la clientèle ou que vous enregistrez votre article, vous aurez besoin du numéro de série de votre article. Nous vous suggérons d'inscrire le numéro de série dans l'espace fourni ci-dessous afin qu'il soit disponible ultérieurement.

Le numéro de série de votre Riptide ST se trouve à l'intérieur du support de montage, sous le point d'appui du moteur.



Modèle : _____

Numéro de série : _____

Date de l'achat : _____

Magasin où l'achat a été effectué : _____

TABLE DES MATIÈRES

Garantie Limitée de Deux Ans	24
Caractéristiques	25
Installation du support	26
Installation des Batteries et du Câblage	27-29
Grément de l'embarcation et Installation du Produit	27
Tableau des Dimensions de Gabarit des Conducteurs et Disjoncteurs	27
Sélectionner une Batterie Adéquate	28
Comment Brancher les Batteries	28-29
Gabarit « Poussoir d'essai » de la batterie	29
Schéma de Câblage du Moteur	30
Utilisation et Réglage du Moteur	31-33
L'arrimage et le Déploiement du Moteur	31
Commandes de l'AUTOPILOT™	32
Ajuster la Profondeur du Moteur	32
Installation d'un Transducteur Externe	33
Service et Entretien	34
Remplacement de l'hélice	34
Entretien général	34
Dépannage & Repair	35
Déclaration de conformité	36
Schéma des Pièces	37
Liste des Pièces	38-39

GARANTIE LIMITÉE

GARANTIE LIMITÉE DES MOTEURS DE PÊCHE À LA TRAÎNE EN EAU SALÉE MINN KOTA

Johnson Outdoors Marine Electronics, Inc. (« JOME ») offre la garantie limitée suivante uniquement à l'acheteur au détail initial. La garantie n'est pas transférable.

GARANTIE LIMITÉE DE DEUX ANS DE MINN KOTA SUR L'ENSEMBLE DU PRODUIT

JOME garantit à l'acheteur au détail initial seulement que son nouveau moteur de pêche à la traîne en eau salée Minn Kota est exempt de défauts résultant d'un vice de fabrication et de main-d'œuvre pour une période de deux (2) ans suivant la date d'achat. JOME se réserve le droit de réparer ou de remplacer, au choix et gratuitement, toute pièce pouvant s'avérer défectueuse pendant la durée de la présente garantie. Cette réparation ou ce remplacement est l'unique et exclusive responsabilité de JOME et constitue le seul recours de l'acheteur pour tout manquement à la présente garantie.

GARANTIE À VIE LIMITÉE DE MINN KOTA SUR L'ARBRE COMPOSITE

JOME garantit uniquement à l'acheteur au détail initial que l'arbre composite de son propulseur électrique Minn Kota est exempt de défauts résultant d'un vice de fabrication et de main-d'œuvre pouvant survenir au cours de la durée de vie de l'acheteur initial. JOME fournira, gratuitement, un arbre composite neuf pour remplacer tout arbre composite pouvant s'avérer défectueux pendant la durée de la présente garantie. Fournir un arbre composite neuf sera la seule et exclusive responsabilité de JOME et le seul et unique recours de l'acheteur pour tout manquement à la présente garantie; et l'acheteur sera responsable de l'installation ou du coût de la main-d'œuvre pour l'installation de tout arbre composite neuf, fourni par JOME.

EXCLUSIONS & LIMITATIONS

La présente garantie limitée ne s'applique pas aux produits qui ont été utilisés en eau salée, en eau saumâtre ou à des fins commerciales ou locatives. Cette garantie ne couvre pas l'usure normale, les imperfections qui n'affectent pas le fonctionnement du moteur, ni les dommages causés par les accidents, l'abus, l'altération, la modification, les dommages durant le transport, les désastres naturels, la négligence de l'utilisateur, l'utilisation abusive, un soin ou un entretien inadéquat. **LES DOMMAGES CAUSÉS PAR L'UTILISATION DE PIÈCES DE REMPLACEMENT NON CONFORMES AUX SPÉCIFICATIONS DE CONCEPTION DES PIÈCES ORIGINALES NE SONT PAS COUVERTS PAR LA PRÉSENTE GARANTIE LIMITÉE.** Le coût de l'entretien normal ou des pièces de rechange qui ne contreviennent pas à la garantie limitée incombe à l'acheteur. Avant utilisation, l'acheteur doit déterminer si le produit convient à l'emploi prévu et assume tous les risques et responsabilités connexes. Toute assistance fournie par JOME à l'acheteur ou au nom de ce dernier hors du cadre des modalités, des restrictions et des exclusions de la présente garantie limitée ne constitue pas une renonciation à l'égard de telles modalités, restrictions ou exclusions, et une telle assistance n'aura pas pour effet de prolonger ni de restaurer la garantie. JOME ne remboursera aucune dépense encourue par l'acheteur dans le cadre de la réparation, de la correction ou du remplacement de pièces ou de produits défectueux, à l'exception des dépenses engagées sur consentement écrit préalable de JOME. **LA RESPONSABILITÉ GLOBALE DE JOME À L'ÉGARD DES PRODUITS COUVERTS PAR LA GARANTIE EST LIMITÉE À UN MONTANT ÉQUIVALENT AU PRIX D'ACHAT PAYÉ POUR LE PRODUIT EN QUESTION.**

INFORMATION SUR LE SERVICE MINN KOTA

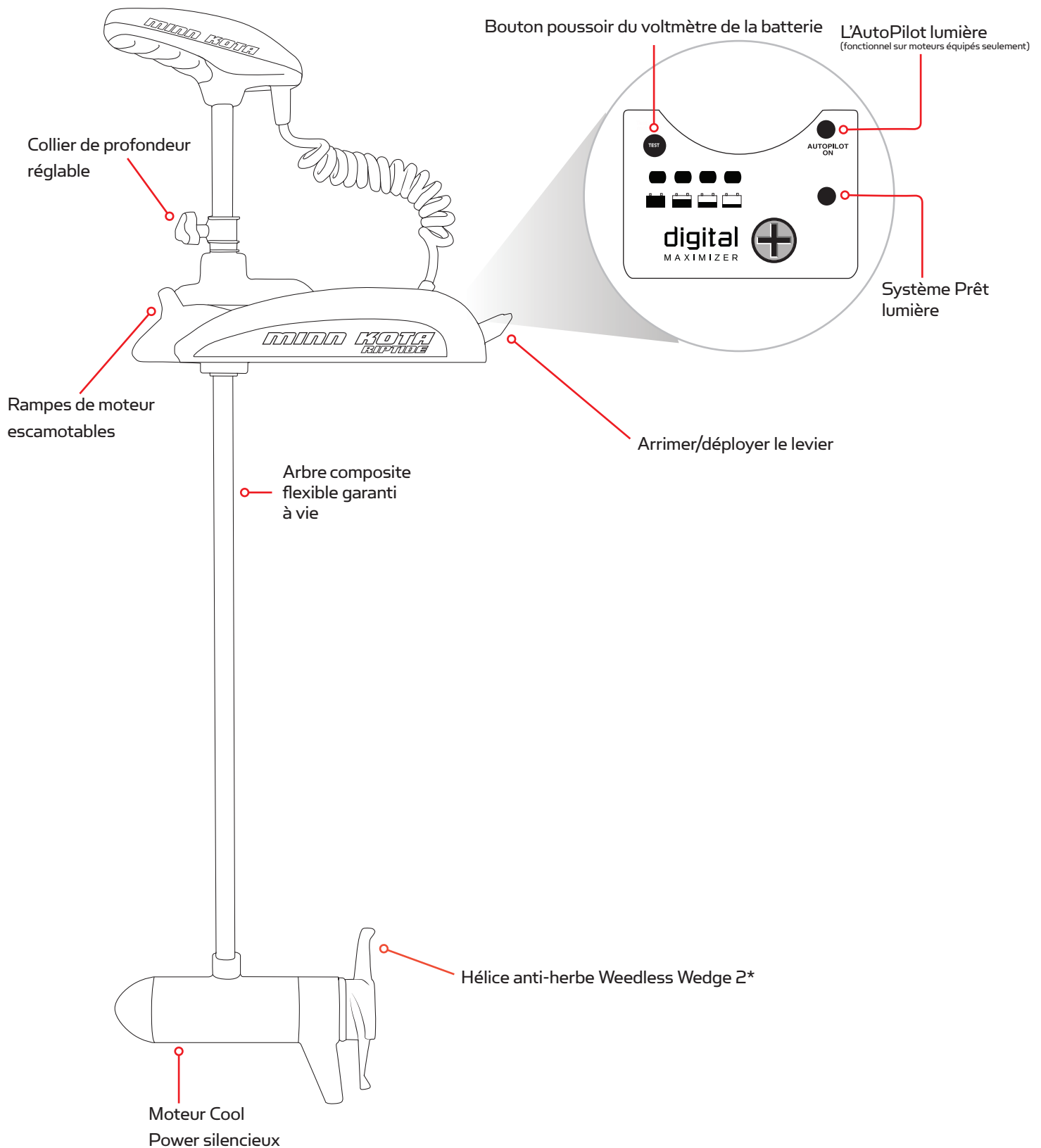
Pour obtenir le service au titre de la garantie aux États-Unis, le produit jugé défectueux et la preuve d'achat originale (comportant la date d'achat), doivent être présentés à un centre de service agréé Minn Kota ou au centre de service de l'usine de Minn Kota à Mankato, au Minnesota. Tous les frais encourus pour des appels de service, de transport ou d'expédition à destination ou à partir du centre de service agréé ou de l'usine Minn Kota, de main-d'œuvre pour transporter, retirer, réinstaller ou regréer les articles retirés pour le service de garantie, ou tout autre élément similaire, sont sous la seule et unique responsabilité unique et exclusive de l'acheteur. Les articles achetés à l'extérieur des États-Unis doivent être retournés, port payé avec la preuve d'achat (y compris la date d'achat et le numéro de série), à tout centre de service agréé Minn Kota dans le pays de l'achat. Le service au titre de la garantie peut être obtenu en communiquant avec le centre de service agréé de Minn Kota ou l'usine au +1 (800) 227-6433 ou par courriel à l'adresse suivante service@minnkotamotors.com. Les produits réparés ou remplacés seront garantis pour la durée restante de la période de garantie initiale [ou pendant 90 jours à compter de la date de réparation ou de remplacement, la période la plus longue étant retenue]. Tout produit retourné aux fins de services en vertu de la garantie qui, selon JOME, n'est pas couvert par la garantie limitée ou n'y contrevient pas sera facturé pour les services rendus au taux horaire de main-d'œuvre affiché en vigueur, pour une facturation minimale d'une heure.

REMARQUE: ne pas retourner l'article Minn Kota au détaillant. Le détaillant n'est pas autorisé à le réparer ou à le remplacer.

IL N'Y A AUCUNE GARANTIE EXPRESSE AUTRE QUE LES PRÉSENTES GARANTIES LIMITÉES. AUCUNE GARANTIE IMPLICITE, Y COMPRIS QUELQUE GARANTIE IMPLICITE DE QUALITÉ MARCHANDE OU D'ADÉQUATION À UN USAGE PARTICULIER, NE SE PROLONGERA AU-DELÀ DE LA DURÉE DE LA PRÉSENTE GARANTIE LIMITÉE EXPRESSE. JOME NE POURRA EN AUCUNE FAÇON ÊTRE TENUE RESPONSABLE DES DOMMAGES PUNITIFS, INDIRECTS, ACCESSOIRES, CONSÉCUTIFS OU PARTICULIERS. Sans limiter la portée de ce qui précède, JOME décline toute responsabilité en cas de perte d'utilisation du produit, perte de temps, d'inconvénient et d'autre dommage.

Certains états ne permettent pas de limites sur la durée d'une garantie implicite ou l'exclusion ou limitation des dommages accessoires ou indirects, donc, les limitations ou exclusions ci-dessus peuvent ne pas s'appliquer à vous. La présente garantie vous donne des droits légaux spécifiques et vous pouvez également bénéficier d'autres droits qui varient d'un État à l'autre.

CARACTÉRISTIQUES



Les spécifications peuvent faire l'objet de modifications sans préavis.

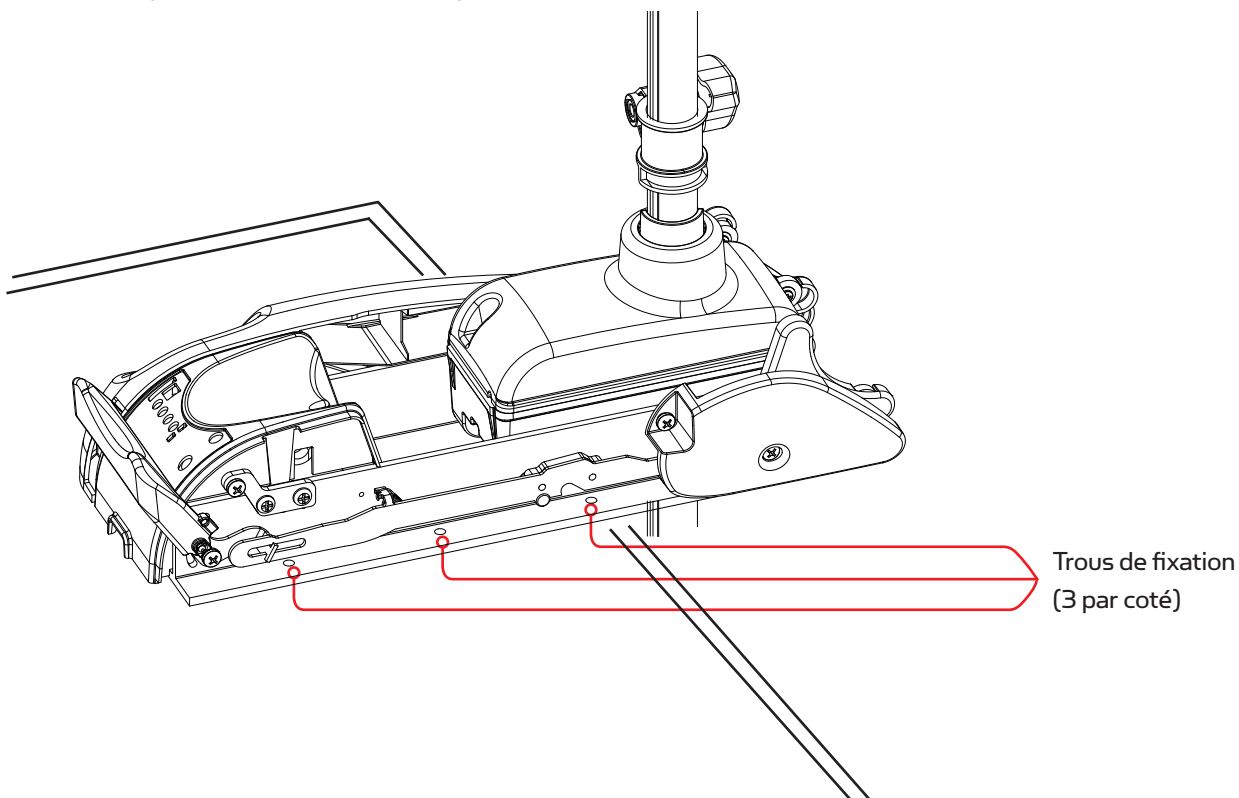
* Le schéma est fourni aux fins de référence seulement et peut différer de votre moteur actuel.

INSTALLATION DU SUPPORT

OUTILS ET RESSOURCES NÉCESSAIRES :

- Tournevis Phillips
- Perceuse
- Mèche de 7,144 mm (9/32")
- Clé à oeil de 11 mm (7/16 ")
- Une deuxième personne pour vous aider avec l'installation

1. Déposer les quatre vis des capots latéraux. Déposer le capot latéral droit et faire glisser le capot gauche vers l'extérieur en le retirant de l'extrusion de base.
2. Placer le moteur sur la proue du bateau en position déployée.
 - a. Il est recommandé de monter le moteur le plus près possible de l'axe du bateau.
 - b. S'assurer qu'il n'y pas d'obstacle au perçage dans la zone de la proue située sous l'emplacement de montage et qu'il est possible de placer les écrous et les rondelles.
 - c. S'assurer que le support est placé de façon à ce que l'arbre se trouve assez loin derrière la bande de frottement du bateau par 38,1 mm (1-1/2 in). L'unité inférieure ne doit rencontrer aucun obstacle lorsqu'elle est abaissée ou remontée.**Attention: Lors de la descente ou du relevage du moteur, ne pas approcher les doigts des pivots et des pièces mobiles.**
3. Une fois le support positionné, tracer l'emplacement de quatre des six trous sur le support de proue pour le perçage. Si possible, utiliser les trous les plus éloignés les uns des autres et percer les trous avec une mèche de 7,144mm (9/32 in).
4. Monter la plaque sur la proue à l'aide des vis, écrous et rondelles fournis.
5. Remettre les capots latéraux et leurs vis en place.



INSTALLATION DES BATTERIES ET DU CÂBLAGE

GRÉEMENT DE L'EMBARCATION ET INSTALLATION DU PRODUIT

Pour des raisons de sécurité et de conformité, nous vous recommandons de suivre les normes du conseil américain sur les embarcations et les yachts (ABYC) pour le gréement de l'embarcation. Les altérations dans le câblage de l'embarcation devraient être complétées par un technicien de marine qualifié. Les spécifications suivantes sont seulement des lignes directrices générales:

MISE EN GARDE! ces lignes directrices s'appliquent au gréement général pour soutenir le moteur de Minn Kota. L'alimentation de multiples moteurs ou d'autres appareils électriques, à partir du même circuit d'alimentation, peut influencer sur le gabarit de conducteurs et le dimensionnement des disjoncteurs recommandé. Pour un fil plus long que celui fourni avec l'appareil, suivre le tableau de dimensionnement de gabarit des conducteurs et des disjoncteurs du tableau ci-dessous. Si la longueur totale de la rallonge est de plus de 25 pi (7,60 m), nous vous recommandons de communiquer avec un technicien maritime qualifié.

Un dispositif de protection contre la surintensité (disjoncteur ou fusible) doit être utilisé. Les préalables de la garde côtière exigent que chaque conducteur de courant, qui n'est pas fixé, soit protégé par un fusible ou un disjoncteur qui se réinitialise manuellement et qui ne peut se déclencher automatiquement. Le dimensionnement du type (courant et tension de puissance nominale) de fusible ou de disjoncteur doit être choisi en fonction du propulseur électrique utilisé. Le tableau ci-dessous donne les lignes directrices recommandées pour ce qui est du dimensionnement des disjoncteurs.

Référence :

Le code des règlements fédéraux des États-Unis : article 183 du titre 33 du CFR - Embarcations et équipements associés ABYC E-11 : systèmes électriques CA et CC sur les embarcations.

TABLEAU DES DIMENSIONS DE GABARIT DES CONDUCTEURS ET DISJONCTEURS

Modèle / poussée du moteur	Courant Tiré Max	Disjoncteur	Longueur de la Rallonge*				
			1.5 mètres	3 mètres	4.5 mètres	6 mètres	7.5 mètres
30 lb.	30	50 Amp @ 12 VDC	5 mm	5 mm	8 mm	13 mm	21 mm
40 lb., 45 lb.	42		5 mm	8 mm	13 mm	21 mm	21 mm
50 lb., 55 lb.	50	60 Amp @ 12 VDC	8 mm	13 mm	21 mm	21 mm	33 mm
70 lb.	42	50 Amp @ 24 VDC	5 mm	5 mm	8 mm	8 mm	13 mm
80 lb.	56	60 Amp @ 24 VDC	8 mm	8 mm	8 mm	13 mm	13 mm
101 lb.	46	50 Amp @ 36 VDC	8 mm	8 mm	8 mm	8 mm	8 mm
Engine Mount 101	50	60 Amp @ 36 VDC	8 mm	13 mm	21 mm	21 mm	33 mm
112 lb.	52	60 Amp @ 36 VDC	8 mm	8 mm	8 mm	8 mm	8 mm
Engine Mount 160	116	(2) x 60 Amp @ 24 VDC	33 mm	33 mm	33 mm	33 mm	33 mm
E-Drive	40	50 Amp @ 48 VDC	5 mm	5 mm	5 mm	5 mm	5 mm

Le présent tableau des dimensions de gabarit des conducteurs et disjoncteurs est uniquement valable pour les hypothèses suivantes:

1. Il n'y a pas plus de 3 conducteurs qui sont regroupés à l'intérieur d'une gaine ou d'un conduit à l'extérieur de l'espace moteur.
2. Chaque conducteur est muni d'un isolant d'une température nominale de 105 °C.
3. Aucune chute de tension de plus de 5 % n'est autorisée lorsque le moteur est à plein régime, en fonction des exigences en matière d'alimentation du produit qui ont été publiées.

***La longueur de la rallonge fait référence à la distance séparant les batteries des fils du propulseur électrique.**

SÉLECTIONNER UNE BATTERIE ADÉQUATE

Le moteur fonctionnera avec toute batterie marine plomb/acide à décharge profonde de 12 volts. Pour un meilleur résultat, utiliser une batterie marine à décharge profonde avec ampérage nominal d'au moins 105 ampères/heure. Selon une estimation générale effectuée sur l'eau, votre moteur de 12 volts utilisera un ampère par heure et votre moteur de 24 volts, 0,75 ampère par heure, pour chaque coup de poussée produite lorsque le moteur tourne à plein régime. L'ampérage réel utilisé est en fonction des conditions environnementales spécifiques et des exigences de fonctionnement. Maintenir la batterie complètement chargée. Un entretien adéquat fera en sorte que le courant sera disponible le moment venu et améliorer considérablement la durée de vie de la batterie. Le fait de ne pas recharger les batteries au plomb (dans les 12 à 24 heures) est la principale cause de défaillance prématurée de celles-ci. Utiliser un chargeur à taux variable afin d'éviter une surcharge. Nous offrons une vaste sélection de chargeurs en fonction de vos besoins. Si vous utilisez une batterie à manivelle pour démarrer un moteur hors-bord à essence, nous vous recommandons d'utiliser des batteries marines à décharge profonde séparées pour votre propulseur électrique Minn Kota.

Conseils concernant les batteries :

- ne jamais brancher les bornes (+) et (-) de la même batterie ensemble. S'assurer qu'aucun objet métallique ne puisse tomber sur la batterie et provoquer un court-circuit aux bornes. Cela provoquerait immédiatement un court-circuit et un risque extrême d'incendie.
- Il est fortement recommandé d'utiliser un disjoncteur ou un fusible avec ce propulseur électrique. Consulter le « Tableau des dimensions de gabarit des conducteurs et disjoncteurs » dans la section précédente pour trouver le disjoncteur ou fusible approprié convenant à votre moteur. Pour les moteurs nécessitant un disjoncteur de 60-A, le disjoncteur Minn Kota MKR-19 60-A est recommandé.

COMMENT RACCORDER LA BATTERIE

SYSTÈMES DE 12 VOLTS:

1. S'assurer que le moteur est coupé (sélecteur de vitesse sur « 0 »).
2. Raccorder le fil rouge positif (+) à la borne positive (+) de la batterie.
3. Raccorder le fil noir négatif (-) à la borne négative (-) de la batterie.
4. Pour des raisons de sécurité, ne pas allumer le moteur jusqu'à ce que l'hélice soit dans l'eau.

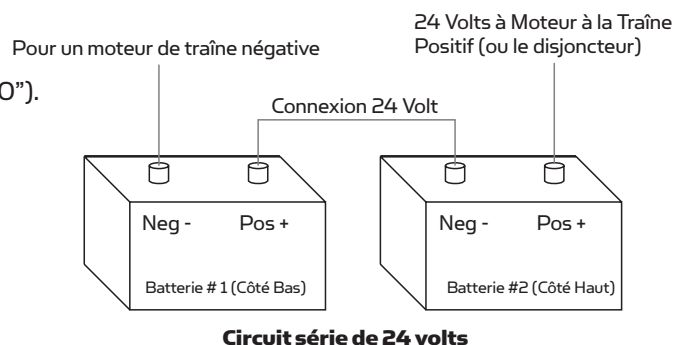
MISE EN GARDE

Pour des raisons de sécurité, débrancher le moteur des batteries lorsque le moteur n'est pas utilisé ou pendant la charge.

COMMENT BRANCHER LES BATTERIES

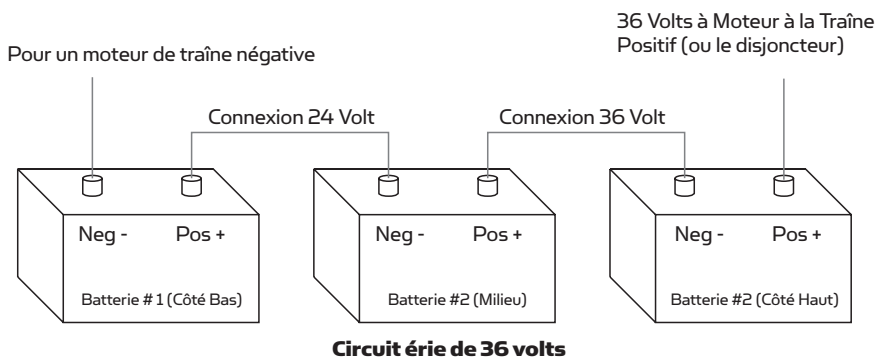
SYSTÈMES DE 24 VOLTS :

1. Assurez-vous que le moteur est éteint (sélecteur de vitesse sur "0").
2. Deux batteries de 12 volts sont nécessaires.
3. Les batteries doivent être branchées en série, uniquement tel qu'illustré dans le schéma de câblage, afin de fournir 24 volts.
 - a. Branchez un câble de raccordement à la borne positive (+) de la batterie 1 et à la borne négative (-) de la batterie 2.
 - b. Branchez le fil rouge positif (+) à la borne positive (+) sur la batterie 2.
 - c. Branchez le fil noir négatif (-) à la borne négative (-) de la batterie 1.
4. Pour des raisons de sécurité, n'allumez pas le moteur jusqu'à ce que l'hélice soit dans l'eau. Si vous installez un raccordement en fil de plomb, respectez les polarités appropriées et suivez les instructions qui se trouvent dans votre manuel du propriétaire du bateau. Voir le schéma de câblage sur les pages suivantes.



SYSTÈMES DE 36 VOLTS :

1. Assurez-vous que le moteur est éteint (sélecteur de vitesse sur "0").
2. Trois batteries de 12 volts sont nécessaires.
3. Les batteries doivent être branchées en série, uniquement tel qu'illustré dans le schéma de câblage, afin de fournir 24 volts.
 - a. Branchez un câble de raccordement à la borne positive (+) de la batterie 1 et à la borne négative (-) de la batterie 2.
 - b. Branchez le fil rouge positif (+) à la borne positive (+) sur la batterie 3.
 - c. Branchez le fil noir négatif (-) à la borne négative (-) de la batterie 1.
4. Pour des raisons de sécurité, n'allumez pas le moteur jusqu'à ce que l'hélice soit dans l'eau. Si vous installez un raccordement en fil de plomb, respectez les polarités appropriées et suivez les instructions qui se trouvent dans votre manuel du propriétaire du bateau. Voir le schéma de câblage sur les pages suivantes.



CAUTION

- **Une mauvaise installation du câblage des systèmes de 24/36 volts pourrait provoquer une explosion des batteries!**
- **Gardez les écrous papillons de raccordement solides et bien serrés autour des bornes de la batterie.**
- **Installez la batterie dans un compartiment ventilé.**
- **Pour des raisons de sécurité, débrancher le moteur des batteries lorsque le moteur n'est pas utilisé ou pendant la charge.**

GABARIT « POUSSOIR D'ESSAI » DE LA BATTERIE

La batterie de ce moteur est munie d'un gabarit « Poussoir d'essai ». La DEL assure un affichage précis de la charge restante dans la batterie. Il est uniquement précis lorsque le moteur est coupé.

Le gabarit se lit comme suit:

- Un voyant indique une recharge.
- Deux voyants indiquent une faible charge.
- Trois voyants indiquent une bonne qualité de charge.
- Quatre voyants indiquent une pleine charge.

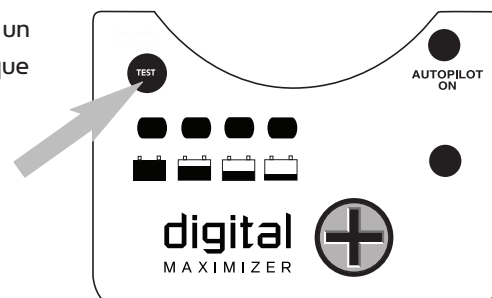
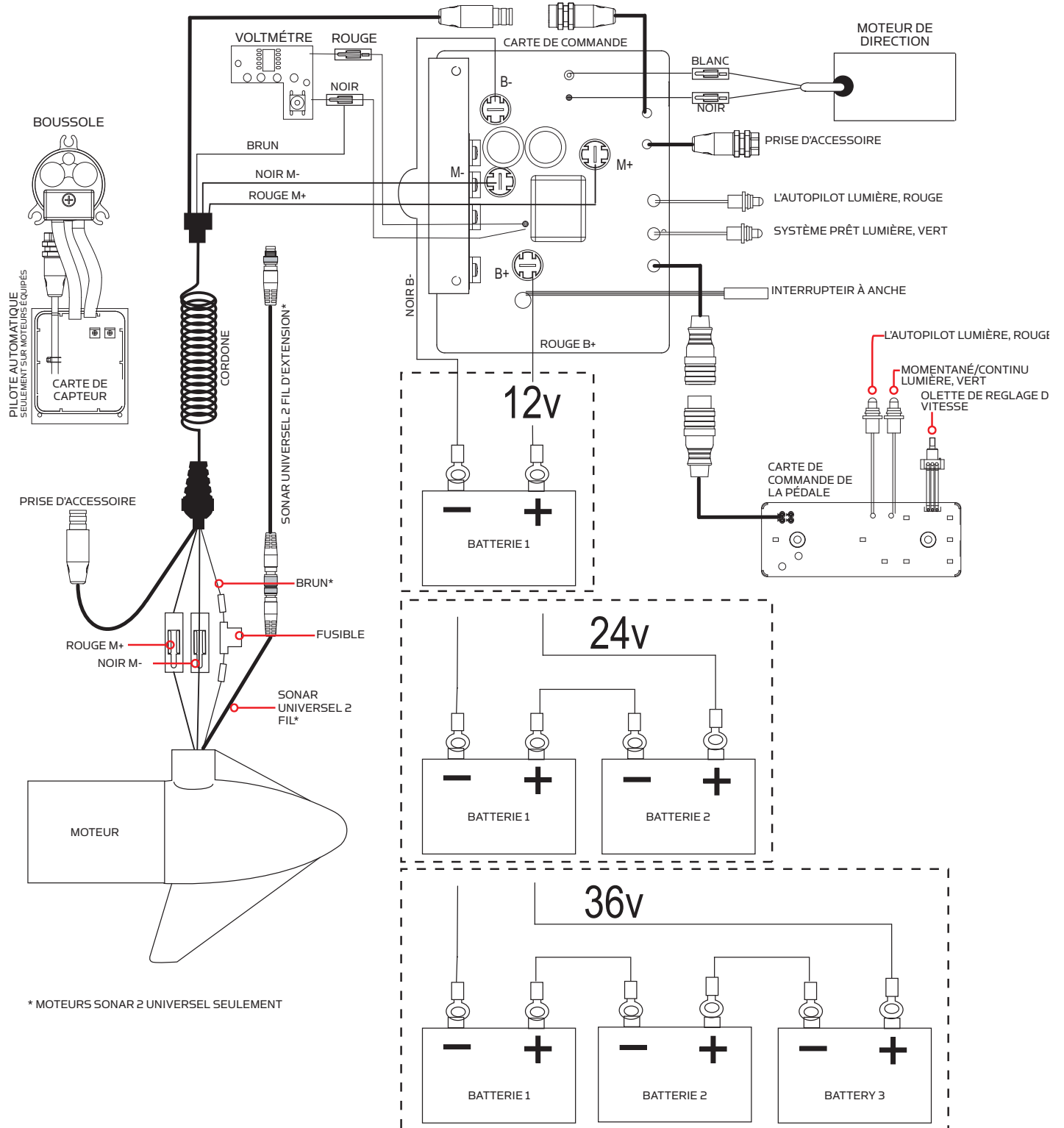


SCHÉMA DE CÂBLAGE DU MOTEUR

REMARQUE: Il s'agit d'un schéma multi-tensions universel. Vérifier à nouveau la tension du moteur afin de vous assurer que les raccordements sont appropriés. Les dispositifs de protection contre la surintensité ne figurent pas dans cette illustration.



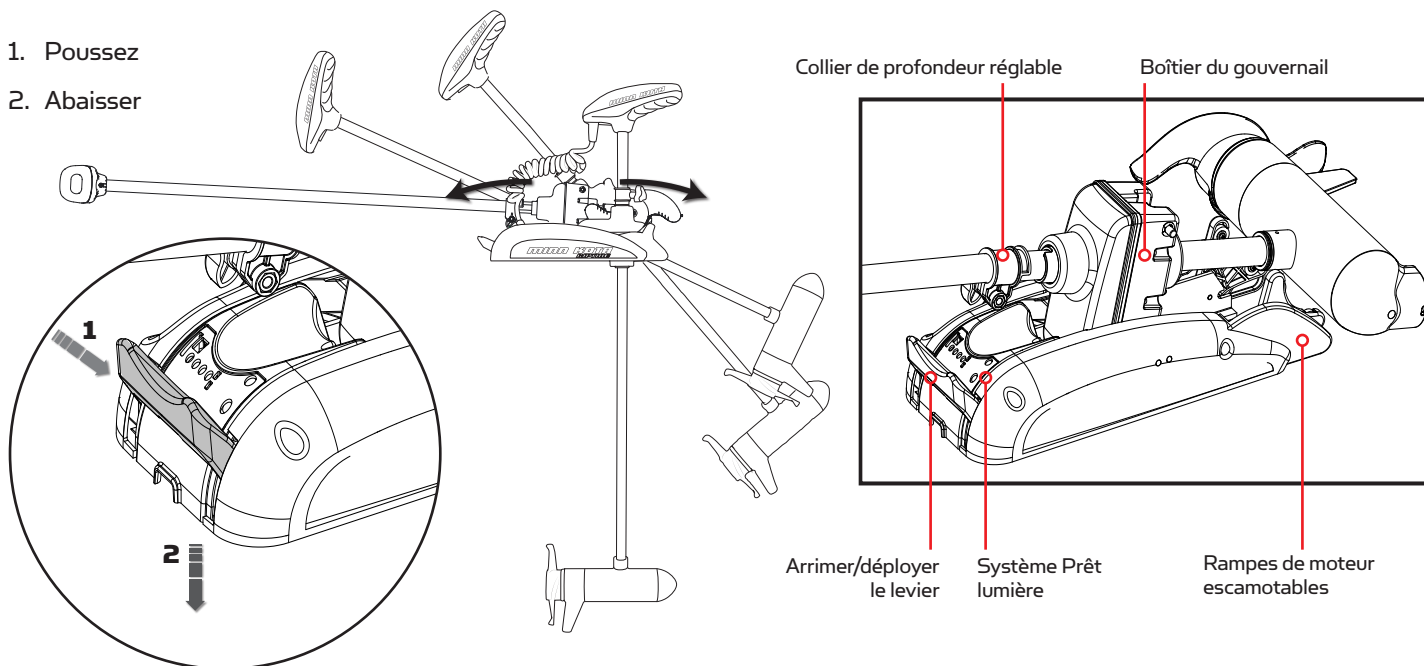
UTILISATION ET RÉGLAGE DU MOTEUR

L'ARRIMAGE ET LE DÉPLOIEMENT DU MOTEUR

AVERTISSEMENT! : Lorsque vous remontez ou abaissez le moteur, gardez vos doigts loin de toutes charnières et points de pivot et de toutes pièces mobiles.

LE LEVIER OPÉRATIONNEL DE VERROUILLAGE D'INCLINAISON:

1. Pousser
2. Abaisser



GÉNÉRALE

Système prêt (vert) : Le moteur est équipé d'un voyant indiquant que le système est prêt. Le voyant est allumé quand le moteur est déployé et sous tension. Quand le moteur est correctement rangé, le voyant s'éteint indiquant ainsi que le courant au moteur a été coupé. Si le voyant ne s'allume pas quand le moteur est déployé, assurez-vous que le moteur est bien connecté à la batterie et complètement déployé. Si le voyant ne s'éteint pas quand le moteur est rangé, assurez-vous que le levier de rangement/déploiement est complètement enclenché et verrouillé en position rangé.

DÉPLOIEMENT

Enfoncez et tournez le levier de rangement/déploiement vers le bas. Glissez gentiment le moteur hors des rampes. Abaissez le moteur à la profondeur désirée en vous assurant qu'il s'enclenche dans une position verticale sûre. Le voyant (vert) indiquant que le système est prêt à fonctionner sera allumé.

ARRIMAGE

Enfoncez et tenez le levier de rangement/déploiement vers le bas. Inclinez gentiment et tirez l'arbre de composite ou la tête de commande jusqu'à ce que le moteur entre sur les rampes. Le moteur devrait reposer sur les rampes et se bloquer en place. Le levier de rangement/déploiement devrait s'enclencher automatiquement en position rangée. Le voyant (vert) indiquant que le système est prêt DOIT s'éteindre indiquant ainsi que le moteur est correctement rangé.

TRANSPORT

Dans le cas où le moteur est soumis à des vibrations ou à des chocs violents, veiller à assurer un arrimage ferme. Mettre le collier de profondeur contre le moteur de direction et le serrer.

COMMANDES DE L'AUTOPILOT™

(PILOTE AUTOMATIQUE SEULEMENT SUR MOTEURS ÉQUIPÉS)

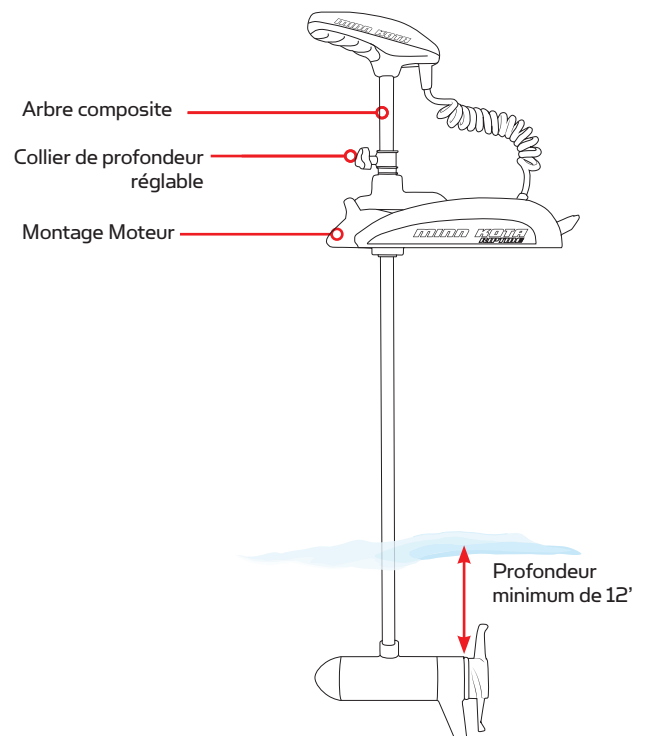
L'AutoPilot MINNKOTA utilise une boussole magnétique et un microprocesseur qui permettent de pointer le moteur de pêche dans la direction voulue. Si le vent ou les courants font dériver le bateau, l'AutoPilot note le changement de cap et remet le bateau dans la bonne direction. La direction de l'AutoPilot est réglée à chaque changement de direction. Pour changer de direction, tourner jusqu'à ce que la tête de commande pointe dans la direction désirée. L'AutoPilot tire alors le bateau dans la direction choisie et fait les corrections nécessaires pour naviguer dans la direction voulue.

1. Cet appareil est muni d'un interrupteur automatique de direction de sécurité. Au cas où un obstacle empêche le moteur de pêche de tourner ou par vent fort, la direction automatique peut s'interrompre. Toute entrée de pilotage réinitialiser le système à la normale.
2. Quand le pilote automatique est allumé et que le moteur de pêche à la traîne est sorti de l'eau et en position rangée, le moteur de direction continuera de fonctionner jusqu'à ce que le moteur soit correctement rangé. Une fois le moteur correctement rangé, le pilote automatique s'éteindra et le voyant indiquant que le système est prêt s'éteindra.
3. Cet appareil perçoit le cap du bateau au moyen d'une boussole magnétique. La boussole peut être faussée par des aimants ou par des masses importantes de métaux ferreux à proximité moins de 12 in. du moteur.
4. Lors d'un changement de cap, la direction se verrouille après un court délai destiné à laisser la boussole se stabiliser.
5. Des obstructions sur l'hélice peut entraîner des vibrations excessives au niveau du moteur. Ces vibrations peuvent entraîner des errements dans la direction. Éliminer les obstructions pour permettre au moteur de fonctionner normalement.
6. En cas de changements de vitesse importants, l'orientation du moteur peut varier légèrement. Cette situation est normale.

POUR AJUSTER LA PROFONDEUR DU MOTEUR

Au moment du réglage de la profondeur, s'assurer que le dessus du moteur est immergé à au moins 12 po (30,5 cm) afin d'éviter de faire tourbillonner ou d'agiter l'eau à la surface. L'hélice doit être complètement submergée.

1. Lorsque le propulseur est déployé, saisissez fermement le manche composite situé au-dessus du support.
2. Desserrer le bouton de profondeur/entraînement pour que l'arbre coulisse librement.
3. Remonter ou abaisser le moteur à la profondeur voulue.
4. Tournez la tête de contrôle du moteur à la position désirée.
5. Serrer le bouton pour fixer le moteur en place.



INSTALLATION D'UN TRANSDUCTEUR EXTERNE

Un transducteur sonar externe peut être installé sur le propulseur comme indiqué.

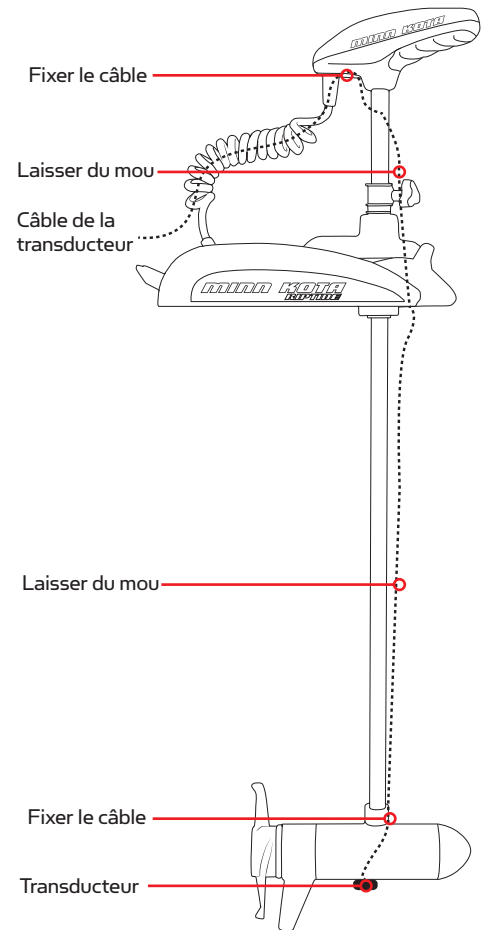
1. Les câbles du transducteur doivent passer par le câble enroulé comme illustré par l'image de droite.
2. Laissez suffisamment de jeu pour permettre un déploiement et une rétraction appropriés.
3. Assemblez le transducteur selon ses propres instructions.

REMARQUE: aucun transducteur externe n'est inclus avec votre propulseur électrique. Un transducteur sonar universel 2 peut être préinstallé sur votre propulseur électrique. Dans ce cas, le transducteur est intégré à l'unité du propulseur.

Pour plus d'informations sur le Universal Sonar 2, visitez minnkotamotors.com/us2

ACCESSOIRES RECOMMANDÉS:

- Minn Kota Transducer Mounting Kit (MKR-15)



SERVICE ET ENTRETIEN

REPLACEMENT DE L'HÉLICE

OUTILS ET RESSOURCES NÉCESSAIRES:

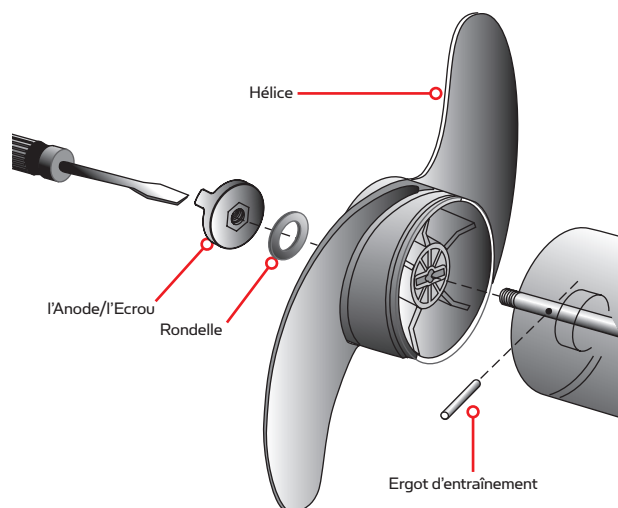
- Clé à oeil
 - 12.5mm pour les moteurs à £ 70 ou moins poussée.
 - 14.2875 mm pour les moteurs à poussée £ 80 ou plus)
- Tournevis (facultatif)

MISE EN GARDE:

Débrancher le moteur de la batterie avant d'effectuer tout travail ou entretien sur l'hélice.

NOTE: L'hélice sur votre moteur peut différer de celui illustré.

1. Débrancher le moteur de toute source d'alimentation avant de changer l'hélice.
2. Tenir l'hélice, puis desserrer anode/écrou à l'aide d'une pince ou d'une clé.
3. Retirer l'anode/l'écrou et la rondelle de l'hélice. Si l'ergot d'entraînement est cisailé ou cassé, tenir l'arbre stable à l'aide d'une lame de tournevis enfoncée dans la fente à l'extrémité de l'arbre.
4. Tourner la vieille hélice à l'horizontale (comme illustré), puis la retirer à la verticale. Si l'ergot d'entraînement tombe, le repousser à l'intérieur.
5. Aligner la nouvelle hélice avec l'ergot d'entraînement.
6. Installer la rondelle et anode/l'écroue.
7. Serrer l'hélice l'anode/l'écrou 1/4 de tour de plus que le serrage initial [25 à 35 lb/po, 2,8 à 4 J]. Ne pas trop serrer, car cela



ENTRETIEN GÉNÉRAL

1. Après utilisation, le moteur en entier doit être rincé à l'eau douce, puis essuyé avec un chiffon humidifié avec un spray de silicone à base aqueuse.
2. L'hélice doit être inspectée et exempte d'herbe et de ligne de pêche, après chaque utilisation.
3. Les lignes de pêche et les herbes peuvent se nicher derrière l'hélice, abîmer les joints et laisser l'eau pénétrer dans le moteur.
4. Chaque fois que le moteur est utilisé, s'assurer que l'écrou de l'hélice est fixé solidement.
5. Afin de prévenir les dommages accidentels, pendant le transport ou l'entreposage, débrancher la batterie lorsque le moteur est hors de l'eau.
6. Pour un entreposage prolongé, enduire légèrement toutes les parties métalliques d'un protecteur aqueux à base de silicone.
7. Pour une durée de vie maximale de la batterie, recharger les batteries dès que possible après utilisation. Pour une performance maximale du moteur, recharger la batterie complètement avant utilisation.
8. Garder les bornes de la batterie propres à l'aide d'un papier de verre fin ou d'une toile d'émeri.
9. L'hélice est conçue pour assurer un fonctionnement optimal et un niveau d'efficacité très élevé. Pour maintenir ce haut rendement, le bord d'attaque des pales doit être gardé lisse. S'il est rugueux ou ébréché en raison de l'utilisation, le rendre lisse à nouveau à l'aide de papier de verre fin.

DÉPANNAGE ET RÉPARATION

1. Le moteur ne s'allume pas ou manque de puissance :
 - Vérifiez que les raccordements de la batterie respectent les bonnes polarités.
 - Assurez-vous que les bornes sont propres et sans corrosion. Utilisez du papier sablé fin ou de la toile d'émeri pour nettoyer les bornes.
 - Vérifiez le niveau d'eau de la batterie. Ajoutez de l'eau si nécessaire.
2. Le moteur perd de la puissance après avoir fonctionné un court laps de temps :
 - Vérifiez la charge de la batterie. Si le niveau est bas, remettez-la à pleine charge.
3. Vous ressentez des vibrations provenant de l'hélice lors du fonctionnement normal :
 - Retirez et faites pivoter l'hélice à 180 °. Voir les instructions de retrait dans la section hélice.
4. Votre sondeur fait l'objet d'interférences:
 - Dans certaines applications, de l'interférence à l'écran de l'échosondeur pourra survenir. Nous recommandons qu'une batterie marine à décharge profonde séparée soit utilisée pour votre propulseur électrique et que l'échosondeur soit alimenté à l'aide d'une batterie de démarrage/à manivelle. Si les problèmes persistent, communiquer avec le service technique au +1 (800) 227-6433.

REMARQUE: Pour tout défaut de fonctionnement, visiter un centre de service agréé. Pour un centre de service agréé dans la région, consulter la liste de nos centres de service agréés sur le site Web minnkotamotors.com ou communiquer avec notre service à la clientèle au +1 (800) 227-6433.

POUR D'AUTRES SERVICES DE DÉPANNAGE ET DE RÉPARATION

Nous offrons plusieurs options de dépannage et/ou de réparation pour le produit. Veuillez parcourir les options énumérées ci-dessous.



FOIRE AUX QUESTIONS

Notre site Web présente FAQ visant à répondre à toutes vos questions au sujet des produits Minn Kota. Veuillez visiter le site Web minnkotamotors.com, puis cliquer sur « Foire aux questions » pour trouver réponse à vos questions.



COMMUNIQUEZ AVEC NOUS (POUR LES ÉTATS-UNIS ET LE CANADA)

Nos représentants du service à la clientèle sont disponibles du lundi au vendredi, de 7 h 00 à 16 h 30 (HNC), au +1 (800) 227-6433. Pour commander des pièces, veuillez avoir sous la main le numéro de série à 11 chiffres du produit, les numéros des pièces nécessaires et les renseignements relatifs à la carte de crédit. Vous économiserez ainsi du temps pour un service à la clientèle de qualité supérieure. Vous pouvez consulter la liste de votre manuel pour obtenir les numéros exacts de pièce.



ENVOYEZ-NOUS UN COURRIEL

Envoyez-nous un courriel pour transmettre à notre service à la clientèle vos questions au sujet des produits Minn Kota. Pour transmettre votre question par courriel, visitez le site Web minnkotamotors.com, puis cliquer sur « Nous contacter ».



CENTRES DE SERVICE AGRÉÉS

On compte plus de 300 centres de service agréés Minn Kota aux États-Unis et au Canada pour acheter des pièces et faire réparer vos produits. Veuillez consulter la page Web pour la liste des centres de service agréés et trouver un centre de service dans votre région.

DÉCLARATION DE CONFORMITÉ

DÉCLARATION DE CONFORMITÉ ENVIRONNEMENTALE

Il est dans l'intention de JOME d'être une entreprise citoyenne responsable, dont l'exploitation est conforme à la réglementation environnementale en vigueur et qui est connue pour être un bon voisin dans les collectivités où nous fabriquons ou vendons nos produits.

DIRECTIVE DEEE:

La directive européenne 2002/96/CE « Directive concernant les déchets d'équipements électriques et électroniques (DEEE) » a un impact sur la plupart des distributeurs, vendeurs et fabricants d'électronique pour le grand public au sein de l'Union européenne. La directive DEEE exige que le producteur d'électronique pour le grand public prenne une part de responsabilité, en ce qui concerne la gestion des déchets de leurs produits, afin d'atteindre une élimination écologique, et ce, tout au long du cycle de vie du produit.

Il se peut que, selon votre emplacement, vous ne soyez pas tenu (e) de vous conformer à la directive DEEE pour ce qui est des équipements électriques et électroniques (EEE), et il se peut qu'il en soit de même pour les EEE conçus et destinés à être utilisés comme installations fixes ou temporaires dans les véhicules de transport tels que les voitures, les avions et les bateaux. Dans certains États de l'Union européenne, ces véhicules sont réputés ne pas relever de la directive, et les EEE, pour ces applications peuvent être considérés comme exclus de l'exigence de la directive DEEE.



Ce symbole (DEEE poubelle sur roues) sur le produit indique que ce dernier ne doit pas être jeté avec les déchets domestiques. Il doit être éliminé et collecté pour le recyclage et la récupération des DEEE. Johnson Outdoors Inc. marquera tous les produits EEE en conformité avec la directive DEEE. C'est notre but de nous conformer à la collecte, au traitement, à la récupération et à l'élimination écologique judicieuse de ces produits, mais ces exigences varient au sein des différents États membres de l'Union européenne. Pour de l'information supplémentaire sur l'endroit où vous pouvez éliminer les équipements usagés pour leur recyclage et leur récupération et/ou ou selon les exigences particulières de l'État membre de l'Union européenne, veuillez communiquer avec le détaillant ou le distributeur duquel vous avez acheté le produit.

ÉLIMINATION:

Les moteurs Minn Kota ne sont pas soumis à la réglementation concernant l'élimination VGE-VO (directive pour les dispositifs électriques), qui transpose la directive DEEE. Néanmoins, ne jamais jeter le moteur Minn Kota dans une poubelle, mais plutôt à l'endroit approprié où s'effectue la collecte, recommandé par le conseil municipal local.

Ne jamais jeter aucune batterie à la poubelle. Se conformer aux directives d'élimination du fabricant ou de son représentant et la jeter à l'endroit approprié où s'effectue la collecte, recommandé par le conseil municipal local.

AVERTISSEMENT: Ce produit contient des produits chimiques reconnus par l'État de la Californie comme causant le cancer, des anomalies congénitales ou d'autres effets nocifs sur la reproduction.

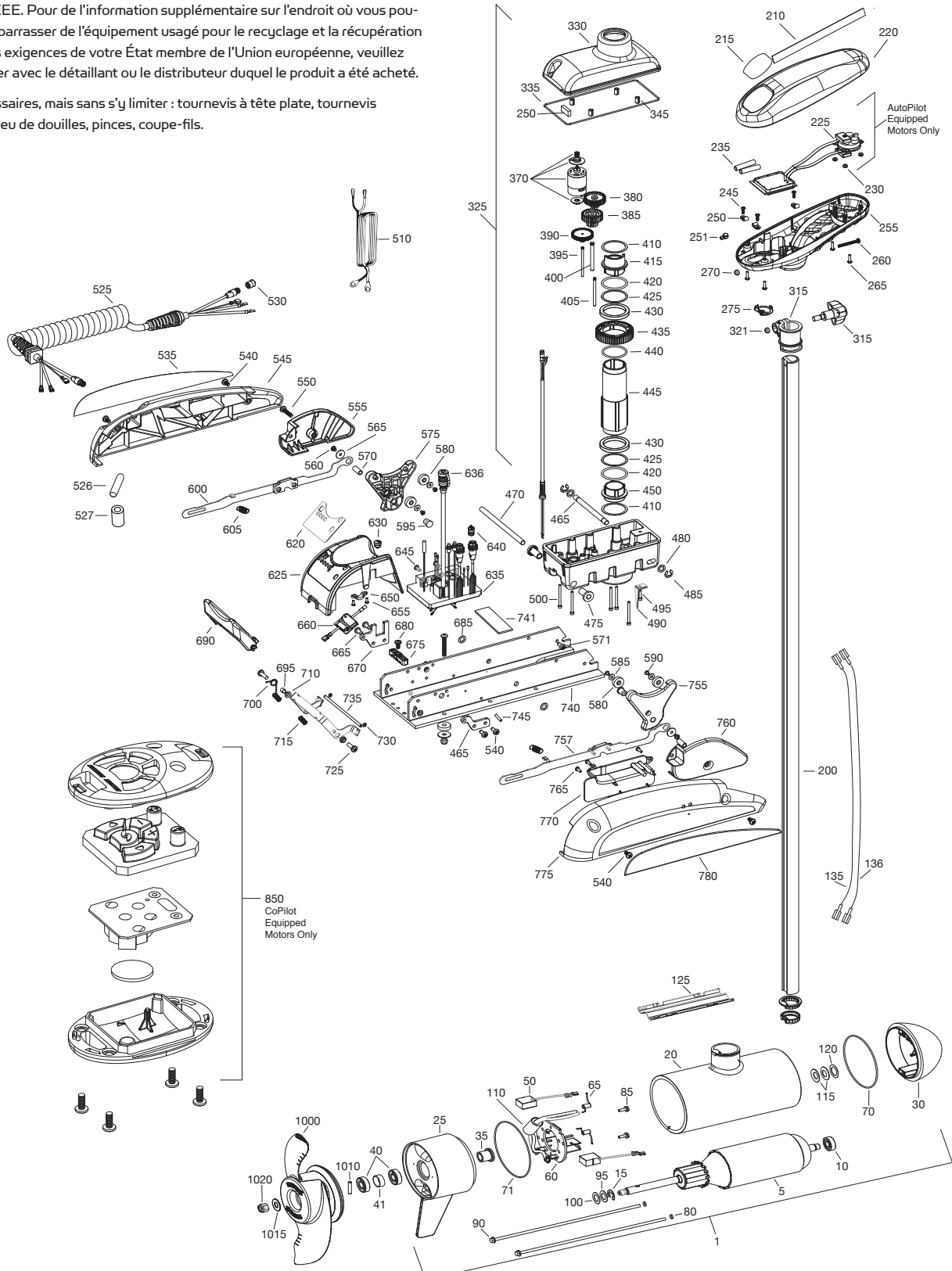
SCHÉMA DES PIÈCES

RIPTIDE ST 112

POUSSÉE DE 112 LBS - 36 VOLT - ARBRE 60/72 PO

Cette page fournit les consignes de dépose de Minn Kota® en conformité avec la directive DEEE. Pour de l'information supplémentaire sur l'endroit où vous pouvez vous débarrasser de l'équipement usagé pour le recyclage et la récupération et/ou sur les exigences de votre État membre de l'Union européenne, veuillez communiquer avec le détaillant ou le distributeur duquel le produit a été acheté.

Outils nécessaires, mais sans s'y limiter : tournevis à tête plate, tournevis cruciforme, jeu de douilles, pinces, coupe-fils.



LISTES DES PIÈCES

RIPTIDE ST 112

POUSSÉE DE 112 LBS - 36 VOLT - ARBRE 60/72 PO

ARTICLE	QTÉ	NUMÉRO DE PIÈCE	DESCRIPTION
1	1	2777091	ENSEMBLE TUBE PROPULSEUR SU2 36 V 60 PO
1	1	2777093	ENSEMBLE TUBE PROPULSEUR SU2 36 V 72 PO
5	1	2-100-245	ENSEMBLE ARMATURE
10	1	140-014	PALIER
15	1	788-040	ANNEAU DE RETENUE
20			BOÎTIER CENTRAL W/TUBE [COMPRIS DANS 200]
25	1	2-300-151	ENSEMBLE BOÎTIER EXTRÉMITÉ BALAI
30	1	421-241	BOÎTIER EXTRÉMITÉ LISSE SU2 54 PO/60 PO
35	1	144-017	PALIER BRIDE
40	2	880-025	JOINT
41	1	725-095	ALÉSAGE ÉTANCHE DU TUBE PAPIER
50	2	188-095	BALAI
60	1	9-738-011	ENSEMBLE PLAQUE DE BALAI
65	2	975-045	RESSORT DE BALAI
■		2881450	ENSEMBLE JOINT D'ÉTANCHÉITÉ ET JOINT TORIQUE [COMPREND 40, 70-80]
70	1	701-098	JOINT TORIQUE DE L'EXTRÉMITÉ LISSE DU PROPULSEUR
71	1	701-046	JOINT TORIQUE DE L'EXTRÉMITÉ BALAI DU PROPULSEUR
80	2	701-009	JOINT TORIQUE DU BOULON TRAVERSANT
85	2	2053410	VIS, 10-32 1/2 PO
90	2	830-094	BOULON TRAVERSANT 12-24
95	2	990-051	RONDELLE D'ACIER
100	2	990-052	RONDELLE NYLATRON
110	1	2777312	PERLE EN FERRITE
115	2	992-011	RONDELLE BELLEVILLE
120	1	990-011	RONDELLE DE RÉGLAGE
125	1	582-016	AGRAFE-RETENUE
135	1	640-044	FIL CONDUCTEUR, NOIR
136	1	640-144	FIL CONDUCTEUR, ROUGE
200	1	2777345	TUBE COMPOSITE, 60 PO, AVANT [20 INCLUS]
	1	2777346	TUBE COMPOSITE, 72 PO, AVANT [20 INCLUS]
210	2	2325666	AUTOCOLLANT COUVERCLE
215	1	2325690	AUTOCOLLANT BOÎTE DE COMMANDE 112 SU2
220	1	2320201	COUVERCLE DE LA BOÎTE DE COMMANDE
225	1	2324032	BOÎTE DE COMMANDE, COMPAS, AUTOPILOTE SEULEMENT
230	3	2302960	PASSE-FIL, COMPAS, AUTOPILOTE SEULEMENT
235	2	2305415	ISOLATEUR DE FIL
245	3	2372100	VIS, 8-18 0,625 PO (1,59 CM)
250	3	2052510	SERRE-CÂBLE
255	1	2322501	BOÎTE DE COMMANDE
260	1	2332102	VIS, 10-24
265	4	2372100	VIS, 8-18 0,625 PO (1,59 CM)
270	1	2333101	ÉCROU, 10-24
275	1	2224702	PRISE DE LA BOÎTE DE COMMANDE SU2
305	1	2771500	ENSEMBLE COLLIER DE PROFONDEUR
315	1	2260906	MOLLETTE [INCLUDE DANS 305]
320	1	2321706	RONDELLE [INCLUDE DANS 305]

ARTICLE	QTÉ	NUMÉRO DE PIÈCE	DESCRIPTION
321	1	2323102	ÉCROU [INCLUDE DANS 305]
325	1	2997028	BOÎTIER DU GOUVERNAIL [COMPREND 330-500]
330	1	2326502	DESSUS DU BOÎTIER DU GOUVERNAIL
335	1	2324604	JOINT TORIQUE DU BOÎTIER
345	4	2302605	GOUPILLE CYLINDRIQUE, 5/16 PO (0,79 CM)
350	1	2308601	RENIFLARD FILTRANT
360	1	2302240	PIGNON
365	1	2300265	COUVERCLE DU MOTEUR EN PLASTIQUE
■		2777024	DUAL STEERING MOTOR ASSEMBLY, 36V
370	1	2777025	ENSEMBLE SERVO-MOTEUR DE GOUVERNAIL
380	1	2302255	PIGNON EN GRAPPE, NIVEAU 3
385	1	2302250	PIGNON EN GRAPPE, NIVEAU 2
390	1	2302245	PIGNON EN GRAPPE, NIVEAU 1
395	1	2302610	ARBRE PORTE-PIGNON, NIVEAU 1
400	1	2302620	ARBRE PORTE-PIGNON, NIVEAU 3
405	1	2302615	ARBRE PORTE-PIGNON, NIVEAU 2
410	2	2321704	RONDELLE DE BUTÉE
415	1	2321515	CHEMISE DU TUBE DE SORTIE
420	2	2324608	JOINT TORIQUE, 224
425	2	2321720	CALE DU JOINT TORIQUE
430	2	2327308	DOUILLE, ALUMINIUM
435	1	2322200	ENGRENAGE DE SORTIE
440	1	2324601	DOUILL
445	1	2322030	TUBE DE SORTIE, USINÉ
450	1	2321510	COLLIER D'ENTRAÎNEMENT, BAS
455	1	2326507	BOÎTIER DU GOUVERNAIL, BAS
460	1	2320605	FIL CONDUCTEUR DU PILOTAGE
465	1	2322601	AXE DE VERROUILLAGE, ZP
470	1	2322603	TOURILLON, ZP
475	2	2327310	BAGUE DU TOURILLON
480	2	2321702	RONDELLE PLATE, 0,375 PO (0,95 CM)
485	2	2263011	DEMI-RONDELLE, 0,375 PO (0,95 CM)
490	2	2322702	AXE DE VERROUILLAGE À RESSORT
495	1	2323410	VIS, 8-32 0,75 PO (1,91 CM)
500	7	2323408	VIS, 8-32 2 PO (5,08 CM)
510	1	2090651	FIL CONDUCTEUR, CAL. 10
515	4	2305403	GAINÉ RÉTRACTABLE 5 ID X 1.0 ADHÉSIF
520	3	2305410	GAINÉ RÉTRACTABLE .315 OD X 2.25
521	1	2305415	GAINÉ RÉTRACTABLE .472 OD X 2.25
525	1	2991271	CORDON ENROULÉ, 60 PO
530	1	2320202	CAPUCHON ANTIPOUSSIERE DU CORDON ENROULÉ, NON-AUTOPILOTE SEULEMENT
535	1	2325643	AUTOCOLLANT PLAQUE LATÉRALE, GAUCHE
540	4	2323405	VIS, 1/4-20
545	1	2321916	PLAQUE LATÉRALE, GAUCHE
550	2	2323403	VIS, 1/4-20 0,375 PO
555	1	2321927	PATIN, GAUCHE
560	2	2323422	VIS, 10-24 0,375 PO
565	2	2321700	RONDELLE, N°10 AI
570	2	2322921	SUPPORT D'ATTENTE, ALUMINIUM LISSE

LISTES DES PIÈCES

RIPTIDE ST 112

POUSSÉE DE 112 LBS - 36 VOLT - ARBRE 60/72 PO

ARTICLE	QTÉ	NUMÉRO DE PIÈCE	DESCRIPTION
571	2	2323405	VIS, 1/4-20 1/2 PO
575	1	2323907	RAMPE, 4-1/2 PO, GAUCHE
580	4	2325117	SUPPORT-PLAQUETTE DE CAOUTCHOUC
585	4	2321706	RONDELLE, N°8
590	4	2323412	VIS, 8-18 0,25 PO
595	2	2324706	INSERT DE RAMPE
600	1	2994203	BRAS DE DÉVERROUILLAGE, GAUCHE
605	2	2322710	RESSORT D'EXTENSION
■	1	2770251	COUVERCL AVEC AUTOCOLLANT
620	1	2325651	AUTOCOLLANT COMMANDE DE VITESSE
625	1	2320211	COUVERCLE DE COMMANDE DE VITESSE
630	1	2322901	RÉDUCTEUR DE TENSION
■		2884050	TROUSSE DE RÉPARATION DU COMMUTATEUR À LAMES
635	1	2324023	TABLEAU DE COMMANDE IPILOT/LINK
	1	2324017	TABLEAU DE COMMANDE
636	1	2320208	BOUCHON PROTECTEUR
640	1	2320203	CAPUCHON ANTIPOUSSIÈRE DU TABLEAU DE COMMANDE
645	2	2323406	VIS, 10-24 0,5 PO
650	1	2321315	SUPPORT DE CONNECTEUR
655	2	2332103	VIS, 6-20 0,375 PO
660	1	2074082	JAUGE DE BATTERIE, 36 V
665	4	2323402	VIS, 1/4-20 0,375 PO
670	1	2321941	RÉDUCTEUR DE TENSION DU SUPPORT
675	1	2321310	FIL RÉDUCTEUR DE TENSION
680	1	2323405	VIS, 1/4-20 0,5 PO
685	2	2333100	ÉCROU DE VITESSE, 0,375 PO
690	1	2320216	POIGNÉE DE DÉBLOCAGE DU COUVERCLE
695	1	2301700	BAGUE
700	1	2322701	RESSORT DE LA POIGNÉE DE DÉBLOCAGE
710	1	2320401	POIGNÉE DE DÉBLOCAGE

ARTICLE	QTÉ	NUMÉRO DE PIÈCE	DESCRIPTION
715	2	2322712	RESSORT DE LA POIGNÉE DE DÉBLOCAGE
720	2	2322604	BAGUE DE LA POIGNÉE
725	2	2332104	VIS, 1/4-20 0,625 PO
730	2	2323000	DEMI-ATTACHE, 3/16 PO, AI
735	1	2322607	TIGE D'APPUI DE LA POIGNÉE
740	1	2321906	EXTRUSION DE BASE, USINÉE
741	1	2321721	CALE, 2 X 4 0,025 PO
745	2	2322912	GOUPILLE-RESSORT
750	1	2321951	SUPPORT DE LA PLAQUE LATÉRALE
755	1	2323902	RAMPE, 4-1/2 PO, CÔTÉ DROIT
757	1	2994201	BRAS DE DÉVERROUILLAGE, CÔTÉ DROIT
760	1	2321922	PATIN, CÔTÉ DROIT
765	3	2301310	VIS, 8-18 0,5 PO
770	1	2370221	COUVERCLE D'ACCÈS
772	1	2374097	CARTE DE COMMANDE RÉCEPTEUR COPILOTE
775	1	2321911	PLAQUE LATÉRALE, CÔTÉ DROIT
780	1	2325642	AUTOCOLLANT, PLAQUE LATÉRALE, CÔTÉ DROIT
850	1	2994095	ASSEMBLAGE TÉLÉCOMMANDE
851	1	2372502	ÉMETTEUR CAS COUVERCLE DU BOÎTIER
860	1	2375112	ÉMETTEUR ASSEMBLÉE DU CLAVIER
865	1		ÉMETTEUR CARTE DE CONTRÔLE ASSY
870	1		PILE DE L'ÉMETTEUR
875	1	2372505	ÉMETTEUR ASSEMBLÉE BOTTOM CASE
880	4	2373440	VIS-#4-24 X 1/4
■		1378160	TROUSSE D'HÉLICE WW2 [1000-1020]
■		2994876	ASSEMBLAGE DE SAC D'HÉLICE [1010-1020]
1000	1	2341160	HÉLICE WW2
1010	1	2262658	GOUPILLE MOLETÉE À CARTOUCHE, GRANDE
1015	1	2091701	RONDELLE D'HÉLICE, GRANDE
1020	1	2198401	ÉCROU-FREIN D'HÉLICE, GRAND
■		2994864	ASSEMBLAGE DE SAC DE PIÈCES DE MONTAGE

■ CET ARTICLE NE FAIT PARTIE D'AUCUN ENSEMBLE.

*CET ARTICLE FAIT PARTIE D'UN ENSEMBLE ET EST SEULEMENT ÉNUMÉRÉ À DES FINS D'ILLUSTRATION.

RECOMMENDED ACCESSORIES

ON-BOARD & PORTABLE BATTERY CHARGERS

Stop buying new batteries and start taking care of the ones you've got. Many chargers can actually damage your battery over time – creating shorter run times and shorter overall life. Digitally controlled Minn Kota chargers are designed to provide the fastest charge that protect and extend battery life.



MK345PC



MK210D



MK110P

TALON SHALLOW WATER ANCHOR

Talon deploys faster, holds stronger and runs quieter than any other shallow water anchor. Available in depths up to 12' and bold color options, it boasts an arsenal of features and innovations that no other anchor can touch:



- Vertical, Multi-Stage Deployment
- User-Selectable Anchoring Modes
- 2x Anchoring Force
- Fast Deploy
- Auto Up/Down
- Triple Debris Shields*
- Built-In Wave Absorption
- Noise Dissipation
- Versatile Adjustments

*available on 10' and 12' models only

MINN KOTA ACCESSORIES

We offer a wide variety of trolling motor accessories, including:



- 60-Amp Circuit Breaker
- Mounting Brackets
- Stabilizer Kits
- Extension Handles
- Battery Connectors
- Battery Boxes
- Quick Connect Plugs

For a complete listing of Minn Kota accessories, visit minnkotamotors.com

Follow us:



minnkotamotors.com

Minn Kota Consumer & Technical Service
Johnson Outdoors Marine Electronics, Inc.
PO Box 8129
Mankato, MN 56001

121 Power Drive
Mankato, MN 56001
Phone (800) 227-6433
Fax (800) 527-4464



©2015 Johnson Outdoors Marine Electronics, Inc.
All rights reserved.