

# **POWERDRIVE V2**

## **BOW-MOUNT TROLLING MOTOR**

### **USER MANUAL**

## CE MASTER USER MANUAL (FOR CE/C-TICK CERTIFIED MODELS)

Conforms to 89/336/EEC (EMC) under standards EN 55022A, EN 50082-2 since 1996 LN V9677264

## THANK YOU

Thank you for choosing Minn Kota. We believe that you should spend more time fishing and less time positioning your boat. That's why we build the smartest, toughest, most intuitive trolling motors on the water. Every aspect of a Minn Kota trolling motor is thought out and rethought until it's good enough to bear our name. Countless hours of research and testing provide you the Minn Kota advantage that can truly take you "Anywhere. Anytime." We don't believe in shortcuts. We are Minn Kota. And we are never done helping you catch more fish.

### REMEMBER TO KEEP YOUR RECEIPT AND IMMEDIATELY REGISTER YOUR TROLLING MOTOR.

A registration card is enclosed or you can complete registration on our website at [minnkotamotors.com](http://minnkotamotors.com).

**NOTE:** Do not return your Minn Kota motor to your retailer. Your retailer is not authorized to repair or replace this unit. You may obtain service by: calling Minn Kota at (800) 227-6433; returning your motor to the Minn Kota Factory Service Center; sending or taking your motor to any Minn Kota authorized service center. A list of authorized service centers is available on our website, at [minnkotamotors.com](http://minnkotamotors.com). Please include proof of purchase, serial number and purchase date for warranty service with any of the above options.

**Please thoroughly read this user manual.** Follow all instructions and heed all safety and cautionary notices below. Use of this motor is only permitted for persons that have read and understood these user instructions. Minors may use this motor only under adult supervision.

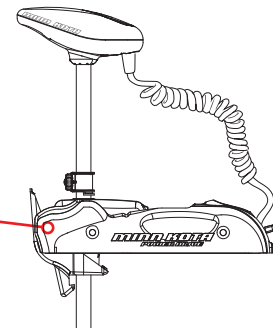
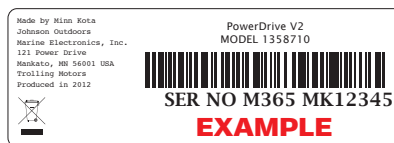
**ATTENTION:** Never run the motor out of the water, as this may result in injuries from the rotating propeller. The motor should be disconnected from the power source when it is not in use or is off the water. When connecting the power-supply cables of the motor to the battery, ensure that they are not kinked or subject to chafe and route them in such a way that persons cannot trip over them. Before using the motor make sure that the insulation of the power cables is not damaged. Disregarding these safety precautions may result in electric shorts of battery(s) and/or motor. Always disconnect motor from battery(s) before cleaning or checking the propeller. Avoid submerging the complete motor as water may enter the lower unit through control head and shaft. If the motor is used while water is present in the lower unit considerable damage to the motor can occur. This damage will not be covered by warranty.

**CAUTION:** Take care that neither you nor other persons approach the turning propeller too closely, neither with body parts nor with objects. The motor is powerful and may endanger or injure you or others. While the motor is running watch out for persons swimming and for floating objects. Persons whose ability to run the motor or whose reactions are impaired by alcohol, drugs, medication, or other substances are not permitted to use this motor. This motor is not suitable for use in strong currents. The constant noise pressure level of the motor during use is less than 70dB(A). The overall vibration level does not exceed 2,5m/sec<sup>2</sup>.

### LOCATING YOUR SERIAL NUMBER

Your Minn Kota 11-character serial number is very important. It helps to determine the specific model and year of manufacture. When contacting Consumer Service or registering your product, you will need to know your product's serial number. We recommend that you write the serial number down in the space provided below so that you have it available for future reference.

**The serial number on your PowerDrive V2 is located inside the mount below the motor rests.**



Model: \_\_\_\_\_

Serial Number: \_\_\_\_\_

Purchase Date: \_\_\_\_\_

Store Where Purchased: \_\_\_\_\_

# TABLE OF CONTENTS

---

<b>Two-Year Limited Warranty</b>	<b>4</b>
<b>Features</b>	<b>5</b>
<b>Mount Installation</b>	<b>6</b>
<b>Battery &amp; Wiring Installation</b>	<b>7-8</b>
Boat Rigging & Product Installation	7
Conductor Gauge and Circuit Breaker Sizing Table	7
Push-to-test Battery Meter	7
Selecting the Correct Batteries	8
Connecting the Batteries	8
<b>Motor Wiring Diagram</b>	<b>9</b>
<b>Using The Motor</b>	<b>10-12</b>
Stowing & Deploying	10
AutoPilot Controls	11
Adjusting the Depth of the Motor	11
Installing an External Transducer	12
<b>Using the Foot Pedal</b>	<b>13</b>
<b>Service &amp; Maintenance</b>	<b>14</b>
<b>Troubleshooting</b>	<b>15</b>
<b>Parts Diagram</b>	<b>16</b>
<b>Parts List</b>	<b>17</b>
<b>Environmental Compliance Statement</b>	<b>18</b>
<b>Notes</b>	<b>19</b>

# TWO-YEAR LIMITED WARRANTY

---

## WARRANTY ON MINN KOTA FRESHWATER TROLLING MOTORS

Johnson Outdoors Marine Electronics, Inc. ("JOME") extends the following limited warranty to the original retail purchaser only. Warranty coverage is not transferable.

### MINN KOTA LIMITED TWO-YEAR WARRANTY ON THE ENTIRE PRODUCT

JOME warrants to the original retail purchaser only that the purchaser's new Minn Kota freshwater trolling motor will be materially free from defects in materials and workmanship appearing within two (2) years after the date of purchase. JOME will (at its option) either repair or replace, free of charge, any parts found by JOME to be defective during the term of this warranty. Such repair, or replacement shall be the sole and exclusive liability of JOME and the sole and exclusive remedy of the purchaser for breach of this warranty.

### MINN KOTA LIMITED LIFETIME WARRANTY ON COMPOSITE SHAFT

JOME warrants to the original retail purchaser only that the composite shaft of the purchaser's Minn Kota trolling motor will be materially free from defects in materials and workmanship appearing within the original purchaser's lifetime. JOME will provide a new composite shaft, free of charge, to replace any composite shaft found by JOME to be defective during the term of this warranty. Providing a new composite shaft shall be the sole and exclusive liability of JOME and the sole and exclusive remedy of the purchaser for breach of this warranty; **and purchaser shall be responsible for installing, or for the cost of labor to install, any new composite shaft provided by JOME.**

### EXCLUSIONS & LIMITATIONS

This limited warranty does not apply to products that have been used in saltwater or brackish water, commercially or for rental purposes. This limited warranty does not cover normal wear and tear, blemishes that do not affect the operation of the product, or damage caused by accidents, abuse, alteration, modification, shipping damages, acts of God, negligence of the user or misuse, improper or insufficient care or maintenance. **DAMAGE CAUSED BY THE USE OF OTHER REPLACEMENT PARTS NOT MEETING THE DESIGN SPECIFICATIONS OF THE ORIGINAL PARTS WILL NOT BE COVERED BY THIS LIMITED WARRANTY.** The cost of normal maintenance or replacement parts which are not in breach of the limited warranty are the responsibility of the purchaser. Prior to using products, the purchaser shall determine the suitability of the products for the intended use and assumes all related risk and liability. Any assistance JOME provides to or procures for the purchaser outside the terms, limitations or exclusions of this limited warranty will not constitute a waiver of the terms, limitations or exclusions, nor will such assistance extend or revive the warranty. JOME will not reimburse the purchaser for any expenses incurred by the purchaser in repairing, correcting or replacing any defective products or parts, except those incurred with JOME's prior written permission. **JOME'S AGGREGATE LIABILITY WITH RESPECT TO COVERED PRODUCTS IS LIMITED TO AN AMOUNT EQUAL TO THE PURCHASER'S ORIGINAL PURCHASE PRICE PAID FOR SUCH PRODUCT.**

### MINN KOTA SERVICE INFORMATION

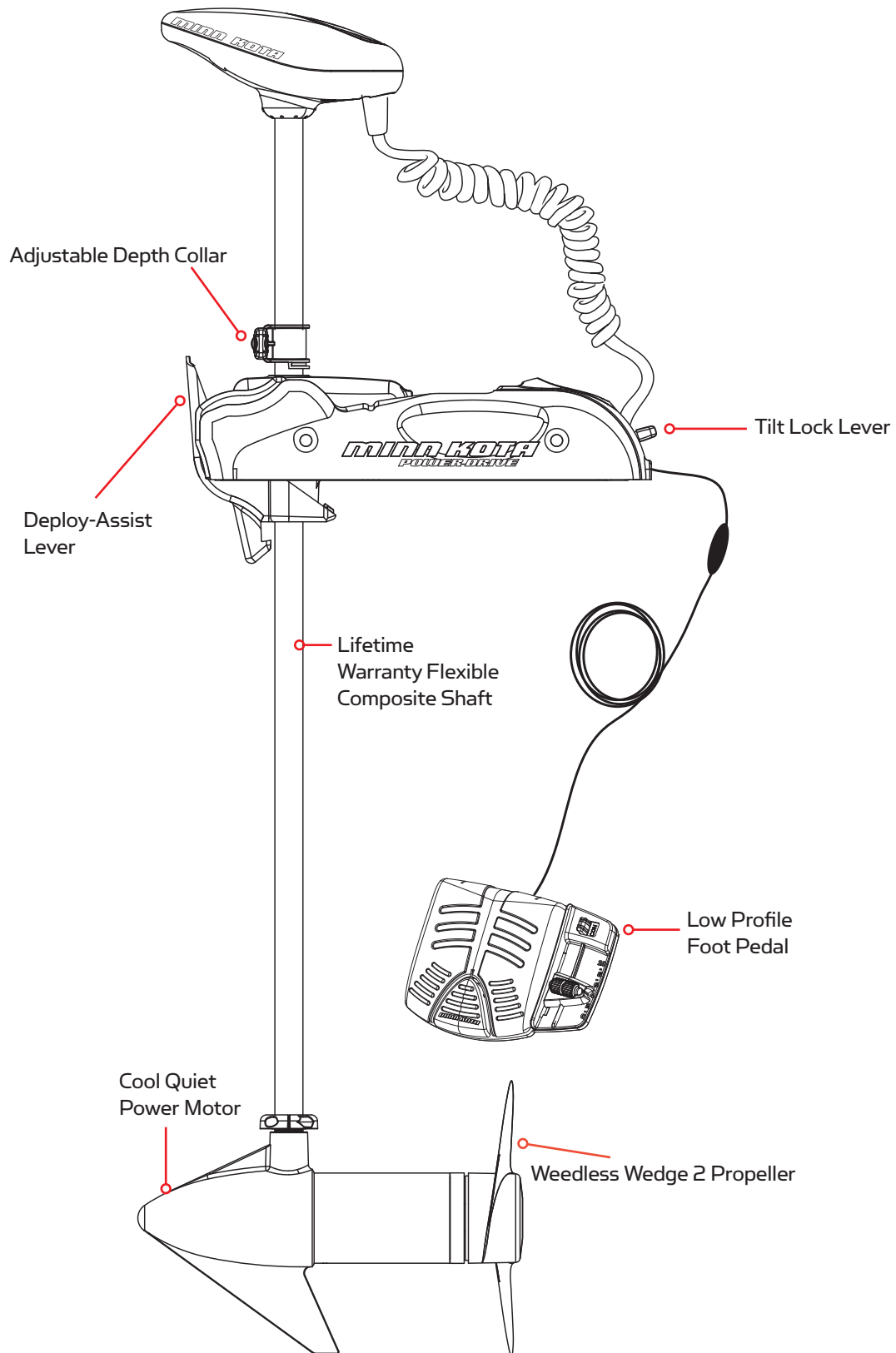
To obtain warranty service in the U.S., the product believed to be defective, and proof of original purchase (including the date of purchase), must be presented to a Minn Kota Authorized Service Center or to Minn Kota's factory service center in Mankato, MN. Any charges incurred for service calls, transportation or shipping/freight to/from the Minn Kota Authorized Service Center or factory, labor to haul out, remove, re-install or re-rig products removed for warranty service, or any other similar items are the sole and exclusive responsibility of the purchaser. Products purchased outside of the U.S. must be returned prepaid with proof of purchase (including the date of purchase and serial number) to any Authorized Minn Kota Service Center in the country of purchase. Warranty service can be arranged by contacting a Minn Kota Authorized Service Center or by contacting the factory at 1-800-227-6433 or email [service@minnkotamotors.com](mailto:service@minnkotamotors.com). **Products repaired or replaced will be warranted for the remainder of the original warranty period [or for 90 days from the date of repair or replacement, whichever is longer]. For any product that is returned for warranty service that JOME finds to be not covered by or not in breach of this limited warranty, there will be a billing for services rendered at the prevailing posted labor rate and for a minimum of at least one hour.**

**NOTE:** Do not return your Minn Kota product to your retailer. Your retailer is not authorized to repair or replace products.

**THERE ARE NO EXPRESS WARRANTIES OTHER THAN THESE LIMITED WARRANTIES. IN NO EVENT SHALL ANY IMPLIED WARRANTIES INCLUDING ANY IMPLIED WARRANTIES OF MERCHANTABILITY OR FITNESS FOR PARTICULAR PURPOSE, EXTEND BEYOND THE DURATION OF THE RELEVANT EXPRESS LIMITED WARRANTY. IN NO EVENT SHALL JOME BE LIABLE FOR PUNITIVE, INDIRECT, INCIDENTAL, CONSEQUENTIAL OR SPECIAL DAMAGES. Without limiting the foregoing, JOME assumes no responsibility for loss of use of product, loss of time, inconvenience or other damage.**

Some states do not allow limitations on how long an implied warranty lasts or the exclusion or limitation of incidental or consequential damages, so the above limitations and/or exclusions may not apply to you. This warranty gives you specific legal rights and you may also have other legal rights which vary from state to state.

# FEATURES



Specifications subject to change without notice.

\*This diagram is for reference only and may differ from your actual motor.

# MOUNT INSTALLATION

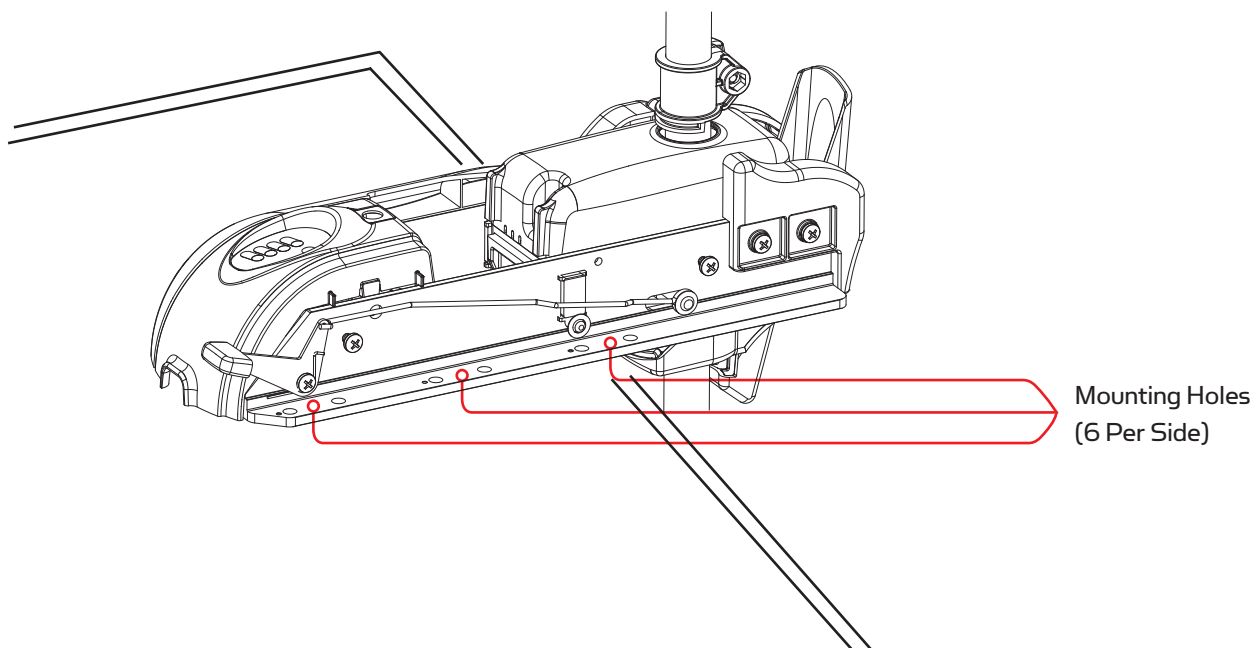
## TOOLS AND RESOURCES REQUIRED:

- #3 Phillips Screw Driver
- Drill
- 9/32" Drill Bit
- 7/16" Box End Wrench
- A second person to help with the installation

1. Remove the four sideplate screws. Remove the right sideplate and swing the left sideplate out and away from the base extrusion.
2. Place the motor on the bow of the boat in the deployed position.
  - a. We recommend that the motor be mounted as close to the centerline of the boat as possible.
  - b. Make sure that the area under the mounting location is clear and unobstructed for drilling and accessible for you to attach nuts and washers.
  - c. Make sure the mount is positioned so that the shaft is out beyond the rub rail of the boat by 1-1/2". The lower unit, as it is lowered into the water or raised into the boat, must not encounter any obstructions.

**CAUTION: Make sure the motor is mounted on a level surface and is not connected to a power source. Use the rubber washers to create a level surface if necessary.**

3. Once in position, mark four of the twelve holes (two on each side) provided in the bow mount base for drilling. If possible, use the four holes that are farthest apart.
4. Drill through the marked holes using the 9/32" drill bit.
5. Mount the plate to the bow using the provided bolts, nuts, and washers.



# BATTERY WIRING & INSTALLATION

## BOAT RIGGING & PRODUCT INSTALLATION

For safety and compliance reasons, we recommend that you follow American Boat and Yacht Council (ABYC) standards when rigging your boat. Altering boat wiring should be completed by a qualified marine technician. The following specifications are for general guidelines only:

**CAUTION:** These guidelines apply to general rigging to support your Minn Kota motor. Powering multiple motors or additional electrical devices from the same power circuit may impact the recommended conductor gauge and circuit breaker size. If you are using wire longer than that provided with your unit, follow the conductor gauge and circuit breaker sizing table below. If your wire extension length is more than 25 feet, we recommend that you contact a qualified marine technician.

**An over-current protection device (circuit breaker or fuse) must be used.** Coast Guard requirements dictate that each ungrounded current-carrying conductor must be protected by a manually reset, trip-free circuit breaker or fuse. The type (voltage and current rating) of the fuse or circuit breaker must be sized accordingly to the trolling motor used. The table below gives recommended guidelines for circuit breaker sizing.

### Reference:

United States Code of Federal Regulations: 33 CFR 183 – Boats and Associated Equipment  
 ABYC E-11: AC and DC Electrical Systems on Boats

## CONDUCTOR GAUGE AND CIRCUIT BREAKER SIZING TABLE

Motor Thrust / Model	Max Amp Draw	Circuit Breaker	Wire Extension Length *				
			5 feet	10 feet	15 feet	20 feet	25 feet
30 lb.	30	50 Amp @ 12 VDC	10 AWG	10 AWG	8 AWG	6 AWG	4 AWG
40 lb., 45 lb.	42		10 AWG	8 AWG	6 AWG	4 AWG	4 AWG
50 lb., 55 lb.	50	60 Amp @ 12 VDC	8 AWG	6 AWG	4 AWG	4 AWG	2 AWG
70 lb.	42	50 Amp @ 24 VDC	10 AWG	10 AWG	8 AWG	8 AWG	6 AWG
80 lb.	56	60 Amp @ 24 VDC	8 AWG	8 AWG	8 AWG	6 AWG	6 AWG
101 lb.	46	50 Amp @ 36 VDC	8 AWG	8 AWG	8 AWG	8 AWG	8 AWG
Engine Mount 101	50	60 Amp @ 36 VDC	8 AWG	6 AWG	4 AWG	4 AWG	2 AWG
112 lb.	52	60 Amp @ 36 VDC	8 AWG	8 AWG	8 AWG	8 AWG	8 AWG
Engine Mount 160	116	(2) x 60 Amp @ 24 VDC	2 AWG	2 AWG	2 AWG	2 AWG	2 AWG
E-Drive	40	50 Amp @ 48 VDC	10 AWG	10 AWG	10 AWG	10 AWG	10 AWG

**This conductor and circuit breaker sizing table is only valid for the following assumptions:**

1. No more than 3 conductors are bundled together inside of a sheath or conduit outside of engine spaces.
2. Each conductor has 105° C temp rated insulation.
3. No more than 5% voltage drop allowed at full motor power based on published product power requirements.

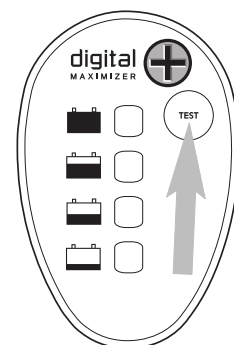
**\*Wire Extension Length refers to the distance from the batteries to the trolling motor leads.**

## PUSH-TO-TEST BATTERY METER

This motor is equipped with a “push-to-test” battery meter. The LED provides an accurate display of the remaining charge in the battery. It is only accurate when the motor is off.

The meter reads as:

- One light indicates recharge.
- Two lights indicate low charge.
- Three lights indicate good charge.
- Four lights indicate full charge.



## SELECTING THE CORRECT BATTERIES

The motor will operate with any lead acid, deep cycle marine 12 volt battery/batteries. For best results, use a deep cycle, marine battery with at least a 105 ampere hour rating. Maintain battery at full charge. Proper care will ensure having battery power when you need it, and will significantly improve the battery life. Failure to recharge lead-acid batteries (within 12-24 hours) is the leading cause of premature battery failure. Use a multi-stage charger to avoid overcharging. We offer a wide selection of chargers to fit your charging needs. If you are using a crank battery to start a gasoline outboard, we recommend that you use a separate deep cycle marine battery/batteries for your Minn Kota trolling motor.

### Advice Regarding Batteries:

- Never connect the (+) and the (-) terminals of the same battery together. Take care that no metal object can fall onto the battery and short the terminals. This would immediately lead to a short and extreme fire danger.
- It is highly recommended that a circuit breaker or fuse be used with this trolling motor. Refer to “Conductor Gauge and Circuit Breaker Sizing Table” in the previous section to find the appropriate circuit breaker or fuse for your motor. For motors requiring a 60-amp breaker, the Minn Kota MKR-19 60-amp circuit breaker is recommended.

## CONNECTING THE BATTERIES

### 12 VOLT SYSTEMS:

1. Make sure that the motor is switched off (speed selector on “OFF” or “O”).
2. Connect positive (+) red lead to positive (+) battery terminal.
3. Connect negative (-) black lead to negative (-) battery terminal.
4. For safety reasons do not switch the motor on until the propeller is in the water.

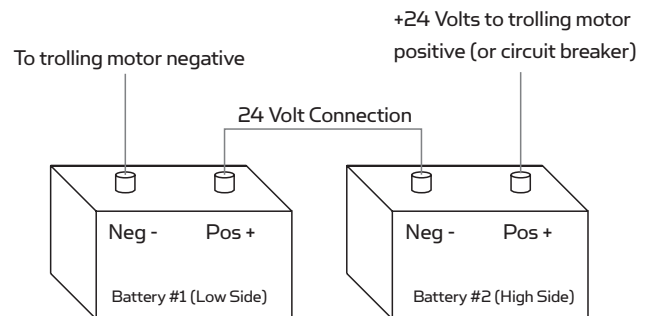
### CAUTION:

**For safety reasons, disconnect the motor from the battery/batteries when the motor is not in use or while the battery/batteries are being charged.**

## CONNECTING THE BATTERIES IN SERIES (IF REQUIRED FOR YOUR MOTOR)

### 24 VOLT SYSTEMS:

1. Make sure that the motor is switched off (speed selector on “O”).
2. Two 12 volt batteries are required.
3. The batteries must be wired in series, only as directed in wiring diagram, to provide 24 volts.
  - a. Connect a connector cable to the positive (+) terminal of battery 1 and to the negative (-) terminal of battery 2.
  - b. Connect positive (+) red motor lead to positive (+) terminal on battery 2.
  - c. Connect negative (-) black motor lead to negative (-) terminal of battery 1.
4. For safety reasons do not switch the motor on until the propeller is in the water. If installing a leadwire plug, observe proper polarity and follow instructions in your boat owner’s manual. See wiring diagram on following pages.



**24 Volt Series Connection**

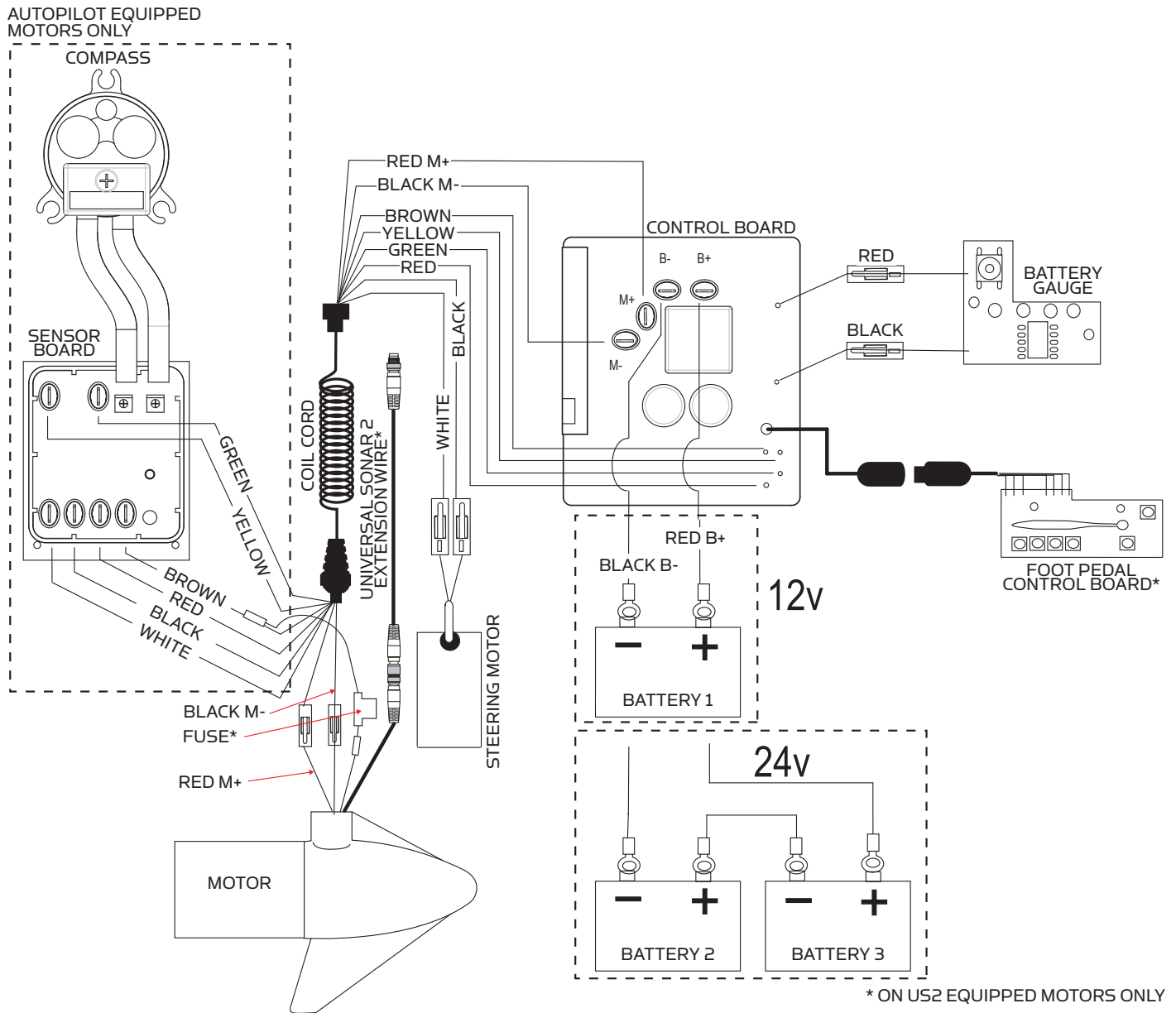
### CAUTION

- **For safety reasons, disconnect the motor from the battery or batteries when the motor is not in use or while the battery/batteries are being charged.**
- **Improper wiring of 24/36 volt systems could cause battery explosion!**
- **Keep leadwire wing nut connections tight and solid to battery terminals.**
- **Locate battery in a ventilated compartment.**



# MOTOR WIRING DIAGRAM

**NOTE:** This is a universal, multi-voltage diagram. Double check your motor's voltage for proper connections. Over-Current Protection Devices not shown in this illustration.



# USING & ADJUSTING THE MOTOR

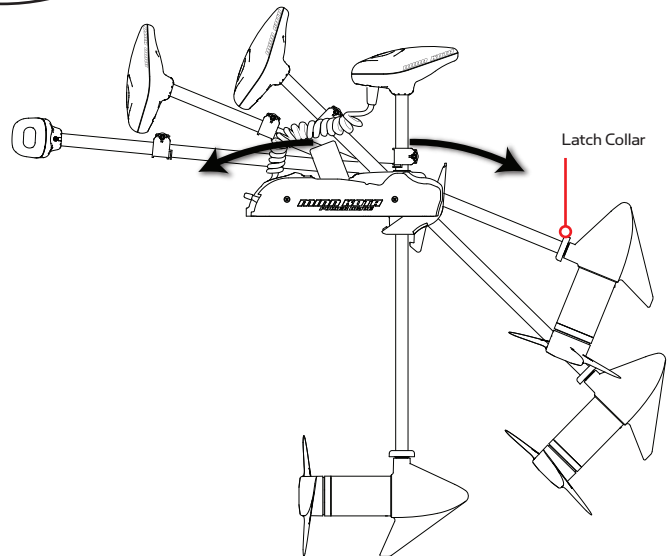
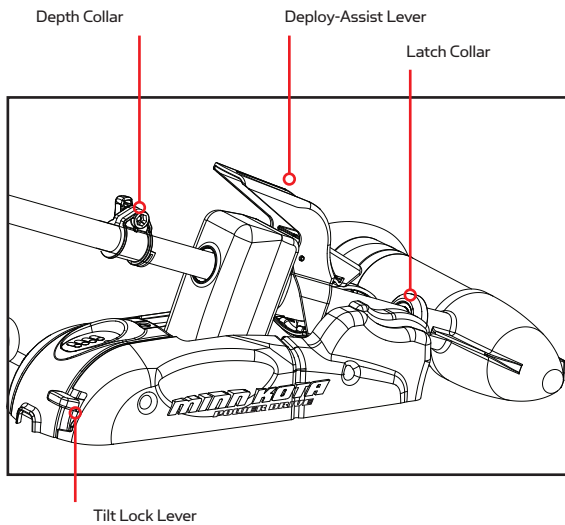
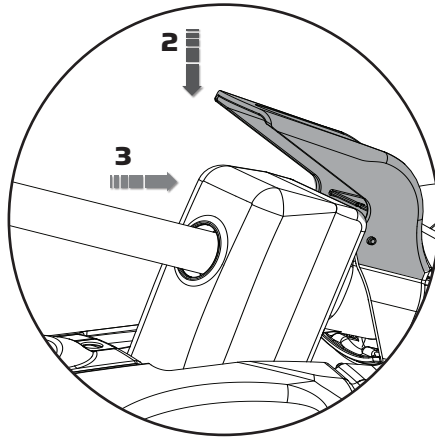
## STOWING AND DEPLOYING THE MOTOR

### WARNING:

When raising or lowering the motor, keep fingers clear of all hinge and pivot points and all moving parts.

### DEPLOY-ASSIST LEVER OPERATION:

1. Loosen the depth collar screw.
2. Push Deploy-Assist Lever down.
3. Push motor out.
4. Tighten the depth collar screw.



### TO DEPLOY THE MOTOR

Loosen the Dept Collar screw, then push firmly down on the Deploy-Assist Lever to release the collar and slide the motor forward, out from the ramp. Lower the motor to the desired depth. Make sure it clicks into a secure, vertical position.

### TO STOW THE MOTOR

Push down on the Tilt Lock Lever and raise the motor by pulling up on the composite shaft or control head. Pull the motor toward the stern until it rests securely on the ramp and the Deploy-Assist Lever captures the latch collar. Slide the depth collar down and secure it against the top of the steering housing to secure the motor in place and prevent accidental deployment.

### TRANSPORTATION

In conditions where the stowed motor is subject to high levels of shock or vibration, take care to provide a secure stow. Move the depth collar snug against the steering motor and tighten.

### TO ADJUST THE LATCH COLLAR

The latch collar is adjustable. If needed, loosen the Phillips head screw and rotate the collar up or down to re-align the latch and collar. The ideal adjustment is a slightly loose fit that completely captures the collar.

## AUTOPILOT™ CONTROLS

### (ON AUTOPILOT EQUIPPED MOTORS ONLY)

The Minn Kota AutoPilot™ uses a magnetic compass and a microprocessor chip to keep the trolling motor pointed in the direction you want to go. Each time the wind or water current moves the boat off course, the AutoPilot senses the change and steers itself back to the original heading. The AutoPilot direction is set every time a steering change is made. To change direction, steer until the control head points to the desired course. The AutoPilot will pull the bow of the boat around and correct automatically until the boat is moving in the direction you chose.

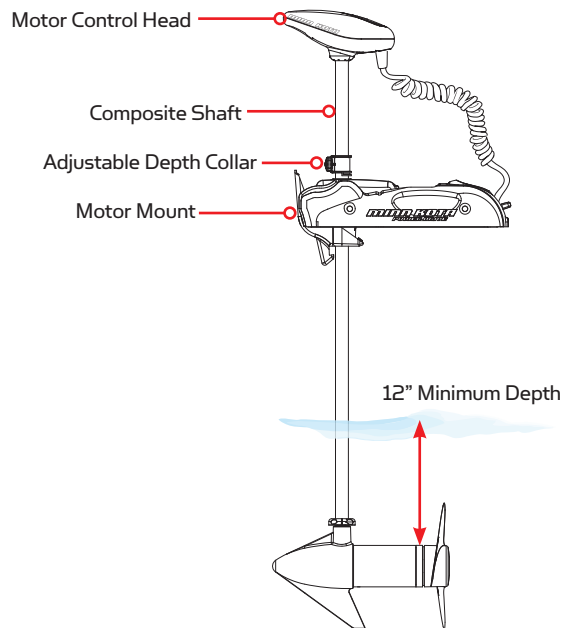
1. This unit has an automatic steering shutdown for safety. In conditions where an obstruction prevents the trolling motor from turning, or in extremely windy conditions, the automatic steering may stop. Any steering input will reset the system to normal.
2. When the AutoPilot is on and the trolling motor is pulled out of the water to the stow position, the steering motor will continue to run. Turn off the AutoPilot switch to stop the motor. If the switch is left on, the steering motor will shut off automatically after 10 seconds. The motor should not be soled in this condition for long periods as power is still being applied to all electronics. Always turn the Autopilot switch off and disconnect your motor from the battery when storing your boat.
3. This unit uses a magnetic compass to detect direction of travel. The compass can be adversely affected by magnets or large, ferrous metal objects near (within 12" of) the trolling motor control head.
4. After steering to a new direction, there is a short delay before the direction is locked in to allow the compass to stabilize.
5. Obstructions on the propeller may cause excessive vibration of the motor head. This vibration can cause the compass to wander and erratic steering to occur. Clear the obstruction to return the motor to normal operation.
6. When broad speed changes are made, the motor heading may change slightly. This is normal.

**NOTE:** Always turn the AutoPilot switch off and disconnect your motor from the battery when storing your boat.

## ADJUSTING THE DEPTH OF THE MOTOR

When setting the depth be sure the top of the motor is submerged at least 12" to avoid churning or agitation of surface water. The propeller must be completely submerged.

1. With the motor deployed, firmly grasp the composite shaft above the mount.
2. Loosen the adjustable depth collar until the shaft slides freely.
3. Raise or lower the motor to the desired depth.
4. Turn the motor control head to the desired position.
5. Tighten adjustable depth collar to secure the motor in place.



### INSTALLING AN EXTERNAL TRANSDUCER

An external sonar transducer can be installed onto the motor as shown.

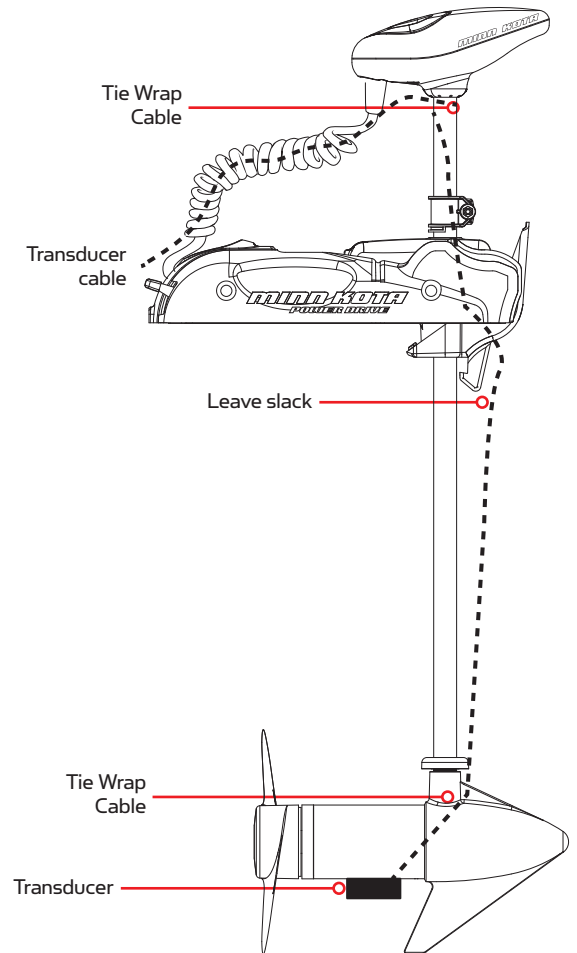
1. Transducer cables should be routed through the coil cable as depicted in the illustration to the right.
2. Leave enough slack for proper stow and deploy.
3. Mount transducer according to transducer instructions.

**Note:** An external transducer is not included with your trolling motor. Your trolling motor may be pre-installed with a Universal Sonar 2 transducer system. In this case, the transducer is integrated into the motor unit.

For compatibility and more information on Universal Sonar 2, please visit [minnkotamotors.com/us2](http://minnkotamotors.com/us2).

#### ACCESSORY RECOMMENDATIONS:

- Minn Kota Transducer Mounting Kit (MKR-15)



# USING THE FOOT PEDAL

All the controls in the foot pedal are easy to operate by either foot or hand. A light touch is all that is necessary.

## MOMENTARY

A toe touch on the momentary button turns the propeller on. Let up and the propeller stops.

## MOMENTARY/CONSTANT (MOM/CON) SWITCH

When the switch is in CON position the motor will run continuously without keeping your foot on the pedal. Slide the switch to momentary (MOM) to again operate the motor with toe touch.

## RIGHT/LEFT

Place your foot in the center of the steering pedal, rocking to the right steers right. Rocking to the left steers left. The heel of your foot can also be placed on the deck of the boat.

Using your heel to pivot on, depress and hold the center momentary to turn the motor on or depress and hold the left or right side of the pedal to steer left or right.

**NOTE:** The steering system is designed to turn your motor 360°. Be careful to avoid over-wrapping the coil cord around the composite shaft.

## FORWARD/REVERSE

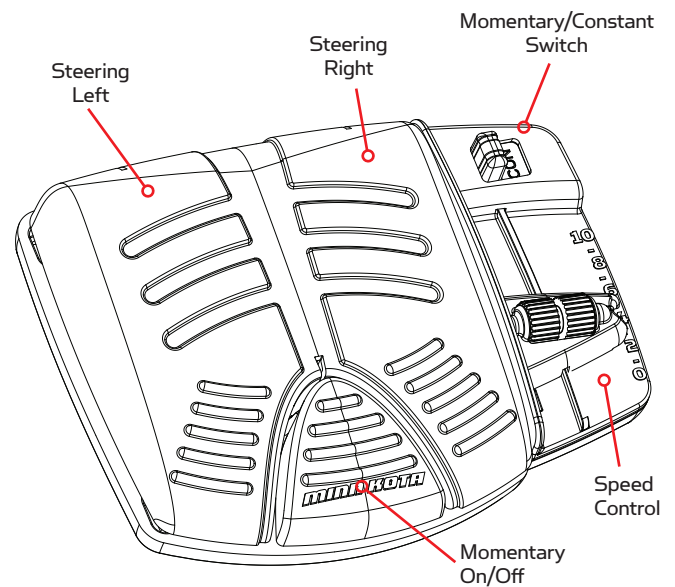
The propeller always turns in the forward direction. You can reverse the direction of thrust by turning the motor 180°.

## SPEED CONTROL

The speed selector is the calibrated sliding bar located on the right side of the foot pedal. The speed selector provides variable speed control with the built in pulse modulation system. Use your hand or foot to slide the bar forward to increase speed. Draw the bar back to decrease speed. The slider also contains a roller to aid in fine speed adjustment. Slide your foot over the roller with light down pressure to adjust speed. The motor may not start turning until the speed slider reaches speeds 1 or 2. This depends on manufacturing tolerances and if the CoPilot accessory is installed.

## NON-CARPETED BOAT USE

Enclosed with your motor are four (4) rubber bumpers. If the foot pedal is to be used primarily on non-carpeted surfaces, insert the rubber bumpers into the keyhole slots on the underside of the pedal. Slide the bumpers into the slot until they are locked into position.



# SERVICE & MAINTENANCE

## PROPELLER REPLACEMENT

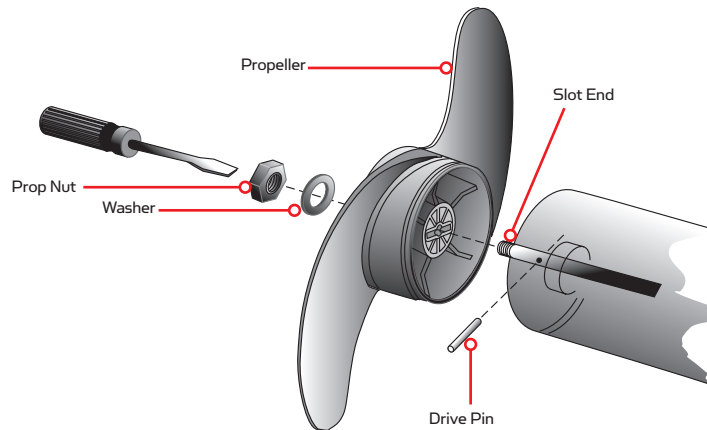
### TOOLS AND RESOURCES REQUIRED:

- Box End Wrench
  - 1/2" for motors with 70 lbs thrust or lower.
  - 9/16" for motors with 80 lbs thrust or higher.
- Screwdriver (optional)

### CAUTION:

**Disconnect the motor from the battery before beginning any prop work or maintenance.**

**NOTE:** The propeller on your motor may differ from the one pictured.



1. Disconnect the motor from all sources of power prior to changing the propeller.
2. Hold the propeller and loosen the prop nut with pliers or a wrench.
3. Remove the prop nut and washer. If the drive pin is sheared or broken, you will need to hold the shaft stationary with a blade screwdriver pressed into the slot on the end of the shaft.
4. Turn the old prop to horizontal (as illustrated) and pull it straight off. If drive pin falls out, push it back in.
5. Align the new propeller with the drive pin.
6. Install the prop washer and prop nut.
7. Tighten the prop nut 1/4 turn past snug [25-35 inch lbs.] Do not over tighten as this can damage the prop.

## GENERAL MAINTENANCE

1. After use, the entire motor should be rinsed with freshwater. This series of motors is not equipped for saltwater exposure.
2. The composite shaft requires periodic cleaning and lubrication for proper retraction and deployment. A coating of an aqueous based silicone spray will improve operation.
3. The propeller must be inspected and cleaned from weeds and fishing line after every use. Fishing line and weeds can get behind the prop, damage the seals and allow water to enter the motor.
4. Verify the prop nut is secure each time the motor is used.
5. To prevent accidental damage during transportation or storage, disconnect the battery whenever the motor is off of the water. For prolonged storage, lightly coat all metal parts with an aqueous based silicone spray.
6. For maximum battery life recharge the battery(s) as soon as possible after use. For maximum motor performance restore battery to full charge prior to use.
7. Keep battery terminals clean with fine sandpaper or emery cloth.
8. The propeller is designed to provide weed free operation with very high efficiency. To maintain this top performance, the leading edge of the blades must be kept smooth. If they are rough or nicked from use, restore to smooth by sanding with fine sandpaper.

# TROUBLESHOOTING & REPAIR

---

1. Motor fails to run or lacks power:
  - Check battery connections for proper polarity.
  - Make sure terminals are clean and corrosion free. Use fine sandpaper or emery cloth to clean terminals.
  - Check battery water level. Add water if needed.
2. Motor loses power after a short running time:
  - Check battery charge. If low, restore to full charge.
3. You experience prop vibration during normal operation:
  - Remove and rotate the prop 180°. See removal instructions in the Propeller Replacement Section.
4. Experiencing interference with your fishfinder:
  - You may, in some applications, experience interference in your depth finder display. We recommend that you use a separate deep cycle marine battery for your trolling motor and that you power the depth finder from the starting/cranking battery. If problems still persist, call our service department at 1-800-227-6433.

**NOTE:** For any other malfunctions, visit an Authorized Service Center. You can search for an Authorized Service Center in your area by visiting our Authorized Service page, found online at [minnkotamotors.com](http://minnkotamotors.com), or by calling our customer service number at 800-227-6433.

## FOR FURTHER TROUBLESHOOTING AND REPAIR

We offer several options to help you troubleshoot and/or repair your product. Please read through the options listed below.



### FREQUENTLY ASKED QUESTIONS

We have FAQs available on our website to help answer all of your Minn Kota questions. Visit [minnkotamotors.com](http://minnkotamotors.com) and click on “Frequently Asked Questions” to find an answer to your question.



### CALL US (FOR U.S. AND CANADA)

Our consumer service representatives are available Monday – Friday between 7:00 a.m. – 4:30 p.m. CST at 800-227-6433. If you are calling to order parts, please have the 11-character serial number from your product, specific part numbers, and credit card information available. This will help expedite your call and allow us to provide you with the best consumer service possible. You can reference the parts list located in your manual to identify the specific part numbers.



### EMAIL US

You can email our consumer service department with questions regarding your Minn Kota products. To email your question, visit [minnkotamotors.com](http://minnkotamotors.com) and click on “Support”.



### AUTHORIZED SERVICE CENTERS

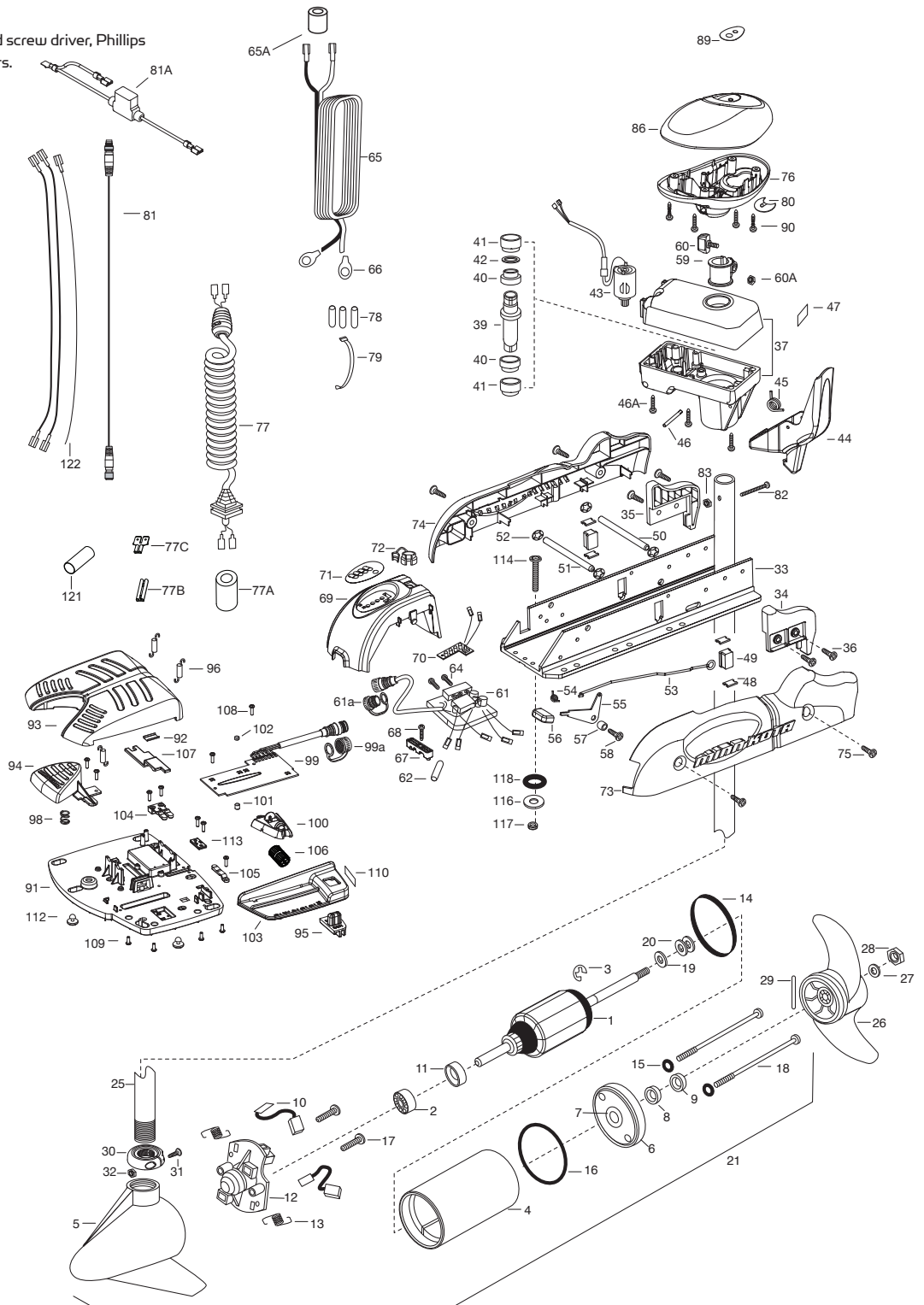
Minn Kota has over 300 authorized service centers in the United States and Canada where you can purchase parts or get your products repaired. Please visit our Authorized Service Center page on our website to locate a service center in your area.

# PARTS DIAGRAM

## POWERDRIVE 70 70 LBS THRUST - 24 VOLT - 54"/60" SHAFT

This page provides Minn Kota® WEEE compliance disassembly instructions. For more information about where you should dispose of your waste equipment for recycling and recovery and/or your European Union member state requirements, please contact your dealer or distributor from which your product was purchased.

Tools required, but not limited to: flat head screw driver, Phillips screw driver, socket set, pliers, wire cutters.





# PARTS LIST

## POWERDRIVE 70

### 70 LBS THRUST - 24 VOLT - 54"/60" SHAFT

ITEM	QTY	PART NUMBER	DESCRIPTION
1	1	2-100-119	ARMATURE ASSY 24V
2	1	140-010	BALL BEARING
3	1	788-015	RETAINING RING
4	1	2-200-005	HOUSING ASSY CENTER
5	1	421-065	HOUSING -BRUSH END
	1	9421-168	HOUSING - BRUSH END US2 ONLY
6	1	2-400-101	PLAIN END HOUSING ASSEMBLY 3.625
7	1	144-049	BEARING - FLANGE (SERVICE ONLY)
8	1	880-003	SEAL
9	1	880-006	SEAL WITH SHIELD
10	2	188-037	BRUSH ASSEMBLY
11	1	725-050	BRUSH RETENTION-PAPER TUBE
12	1	738-036	BRUSH PLATE W/HOLDER
■	1	2307314	FERRITE BEAD
13	2	975-040	SPRING - TORSION
14	1	337-036	GASKET
15	2	701-008	O-RING, THRU-BOLT
16	1	701-081	O-RING
17	2	830-007	SCREW-8-32
18	2	830-008	THRU-BOLT 10-32X9.205
19	1	990-067	WASHER- STEEL THRUST
20	2	990-070	WASHER - NYLATRON
21	1	2096051	MOTOR ASSY 24V 54"
	1	2096032	MOTOR ASSY 24V 60"
	1	2106036	MOTOR ASSY US2 24V 60"
	1	2106045	MOTOR ASSY US2 24V 54"
25	1	2032076	TUBE-54"
	1	2032074	TUBE-60"
■	1	1378131	PROPELLER KIT
26	1	2091160	PROPELLER W/WEDGE 2
27	1	2151726	WASHER-5/16 SS
28	1	2053101	NUT-PROP NYLOC
29	1	2092600	PIN-DRIVE
30	1	2301545	COLLAR- LATCH PD/AP
31	1	2303434	SCREW- 8-32X5/8 MACH
32	1	2303112	NUT 8-32 NYLOC SS
33	1	2301936	EXTRUSION- BASE MACH
34	1	2303932	MOTOR REST- RIGHT 3-5/8
35	1	2303937	MOTOR REST- LEFT 3-5/8
36	4	2303430	SCREW 1/4-20X5/8
37	1	2771826	DRIVE HOUSING / LATCH HANDLE ASSY
■	1	2882011	BUSHING/ OUTSHAFT KIT (INCLUDES 39-42)
*39	1	2302010	DRIVE HSG OUTPUT SHFT
*40	2	2307304	BUSHING- INNER
*41	2	2307305	BUSHING- OUTER
*42	1	2304603	O-RING
43	1	2307050	MOTOR- DRIVE HOUSING
44	1	2307201	LATCH HANDLE PD/AP
45	1	2302750	SPRING- LATCH TORSION
46	1	2302627	PIN- ROLL ZINC
46A	6	2303407	SCREW - DRIVE HOUSING
47	1	2305564	DECAL-STOW/DEPLOY
48	4	2305110	PAD-PIVOT SUPT
49	2	2305103	PIVOT PAD- NEW MTR'L
50	1	2300500	PIN-LATCH

ITEM	QTY	PART NUMBER	DESCRIPTION
51	1	2300510	PIN-PIVOT
52	4	2013100	NUT-SPEED
53	1	2303612	ROD-RELEASE RT/AP 5
54	1	2322700	SPRING-RELEASE LEVER
55	1	2303710	LEVER-RELEASE
56	1	2300101	RELEASE-KNOB
57	1	2301700	SPACER-RELEASE LEVER
58	1	2303430	SCREW-1/4-20 X 5/8
59	1	2031522	COLLAR- DRIVE (W/INSERT)
60	1	2011365	SCREW-COLLAR/NEW KNOB
60A	1	2323104	NUT
61	1	2304065	CONTROL BOARD ASSEMBLY- 24V AP
61A	1	2320208	DUST COVER
62	1	2355410	SHRINK TUBE-3/8 ODX2
64	3	2303434	SCREW-8-32 X 5/8
65	1	2090651	LEADWIRE LOGA 44"
65A	1	2307310	BEAD - FERRITE (CE MODELS ONLY)
66	2	2020700	TERMINAL RING
67	1	2321310	STRAIN RELIEF-BRACKET PD/AP
68	1	2323405	SCREW-1/4-20 X 5/8
69	1	2306555	HOUSING- CENTER
70	1	2074071	BATTERY GAUGE - 24V
71	1	2316605	DECAL, BATTERY GAUGE
72	1	2302935	STRAIN RELIEF-DR. HSGING
73	1	2303960	SIDEPLATE (RIGHT)PD
74	1	2303965	SIDEPLATE(LEFT)PD MK
75	4	2303430	SCREW-1/4-20 X 5/8
76	1	2302515	CONTROL BOX PD/AP
77	1	2991283	COIL CORD W/STRAIN RELIEF 48, 54"
	1	2991284	COIL CORD W/STRAIN RELIEF 60"
77A	1	2307313	FERRITE BEAD
77B	1	2320715	ADAPTER-TAB .25 F-F
77C	1	2320710	TERMINAL-AMP (T-TAB)
78	3	2065400	WIRE INSULATOR-LGE 1-3/4
79	1	2256300	TIE WRAP-5" BLACK
80	1	2224702	INSERT- PLUG
	1	2224700	INSERT- PLUG US2
81	1	2211415	UNIVERSAL SONAR II EXTENSION CABLE
81A	1	2218200	FUSE HOLDER, US2 MOTORS ONLY
82	1	2033400	SCREW-10-24 X 1-3/4 PPH Z/P
83	1	2013110	NUT-HEX 10-24 ZCP
86	1	2300237	CONTROL BOX COVER- POWERDRIVE
89	1	2315685	DECAL- COVER 70PD
	1	2315688	DECAL- COVER 70PD US
90	4	2012100	SCREW-8-18 X 5/8
■	1	2994725	FOOT PEDAL ASSEMBLY
91	1	2304505	FOOT PEDAL BASE
92	1	2308501	WEAR PLATE FOOT PDL
93	1	2300255	FT PDL, CORDED UPPER

ITEM	QTY	PART NUMBER	DESCRIPTION
94	1	2303723	BUTTON, MOMENTARY
95	1	2303722	BUTTON, MOM/CON
96	3	2302730	SPRING-LONG-UPPER PEDAL
98	1	2302732	SPRING-LOWER PEDAL
99	1	2304052	CONTROL BOARD ASSEMBLY-FT PDL
99A	1	2320207	DUST CAP
100	1	2308620	SLIDER, SPEED
101	1	2308409	MAGNET, 1/4 X 1/4
102	1	2778408	MAGNET, 1/4 X 1/8
103	1	2300252	COVER, SPEED SELECTOR
104	1	2308606	SWITCH, DOUBLE FINGER
105	1	2308608	SWITCH, SINGLE FINGER
106	1	2307900	WHEEL, SPEED
107	1	2308625	SLIDER, STEERING
108	9	2302100	SCREW-6-20 X 1/2
109	4	2372103	SCREW-6.20 X 3/8
110	1	2316600	DECAL, ON/OFF SWITCH
112	1	2994859	BAG ASSEMBLY- 5 RUBBER BUMPERS
113	1	2302907	STRN RLF PD FP
■	1	2994864	BAG ASSEMBLY-(BOLT,NUT,WASHERS)
*114	6	2263462	BOLT-MOUNTING-1/4X2
*116	6	2261713	WASHER-1/4
*117	6	2263103	NUT NYLON 1/4-20 MTG
*118	6	2301720	WASHER-MOUNTING RUBBER
■	1	2888460	SEAL & ORING KIT
119	1	2335400	SHRINK TUBE-1/2" OD X 2
120	1	2375400	SHRINK TUBE-1/4" OD X 1-3/4"
121	1	2325401	SHRINK TUBE-3/4" OD X 2" W/ADHS
122	1	640-316	LEADWIRE, BROWN 71"
	1	640-317	LEADWIRE, BROWN 86"

■ THIS ITEM IS PART OF AN ASSEMBLY.

\*THIS ITEM IS PART OF A KIT AND ONLY LISTED FOR VIEWING PURPOSES.

# COMPLIANCE STATEMENTS

---

## ENVIRONMENTAL COMPLIANCE STATEMENT:

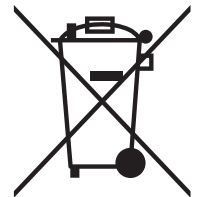
It is the intention of JOME to be a responsible corporate citizen, operating in compliance with known and applicable environmental regulations, and a good neighbor in the communities where we make or sell our products.

## WEEE DIRECTIVE:

EU Directive 2002/96/EC "Waste of Electrical and Electronic Equipment Directive (WEEE)" impacts most distributors, sellers, and manufacturers of consumer electronics in the European Union. The WEEE Directive requires the producer of consumer electronics to take responsibility for the management of waste from their products to achieve environmentally responsible disposal during the product life cycle.

WEEE compliance may not be required in your location for electrical & electronic equipment (EEE), nor may it be required for EEE designed and intended as fixed or temporary installation in transportation vehicles such as automobiles, aircraft, and boats. In some European Union member states, these vehicles are considered outside of the scope of the Directive, and EEE for those applications can be considered excluded from the WEEE Directive requirement.

This symbol (WEEE wheelie bin) on product indicates the product must not be disposed of with other household refuse. It must be disposed of and collected for recycling and recovery of waste EEE. Johnson Outdoors Inc. will mark all EEE products in accordance with the WEEE Directive. It is our goal to comply in the collection, treatment, recovery, and environmentally sound disposal of those products; however, these requirements do vary within European Union member states. For more information about where you should dispose of your waste equipment for recycling and recovery and/or your European Union member state requirements, please contact your dealer or distributor from which your product was purchased.



## DISPOSAL:

Minn Kota motors are not subject to the disposal regulations EAG-VO (electric devices directive) that implements the WEEE directive. Nevertheless never dispose of your Minn Kota motor in a garbage bin but at the proper place of collection of your local town council.

Never dispose of battery in a garbage bin. Comply with the disposal directions of the manufacturer or his representative and dispose of them at the proper place of collection of your local town council.

**WARNING: This product contains chemicals known to the State of California to cause cancer and birth defects or other reproductive harm.**



# RECOMMENDED ACCESSORIES

## ON-BOARD & PORTABLE BATTERY CHARGERS

**Stop buying new batteries and start taking care of the ones you've got.** Many chargers can actually damage your battery over time – creating shorter run times and shorter overall life. Digitally controlled Minn Kota chargers are designed to provide the fastest charge that protect and extend battery life.



MK345PC



MK210D



MK110P

## TALON SHALLOW WATER ANCHOR

Talon deploys faster, holds stronger and runs quieter than any other shallow water anchor. Available in depths up to 12' and bold color options including camo, it boasts an arsenal of features and innovations that no other anchor can touch:



- Vertical, Multi-Stage Deployment
- User-Selectable Anchoring Modes
- 2x Anchoring Force
- Fast Deploy
- Auto Up/Down
- Triple Debris Shields
- Built-In Wave Absorption
- Noise Dissipation
- Versatile Adjustments

## MINN KOTA ACCESSORIES

We offer a wide variety of trolling motor accessories, including:



- 60-Amp Circuit Breaker
- Mounting Brackets
- Stabilizer Kits
- Extension Handles
- Battery Connectors
- Battery Boxes
- Quick Connect Plugs

For a complete listing of Minn Kota accessories, visit [minnkotamotors.com](http://minnkotamotors.com)

Follow us:



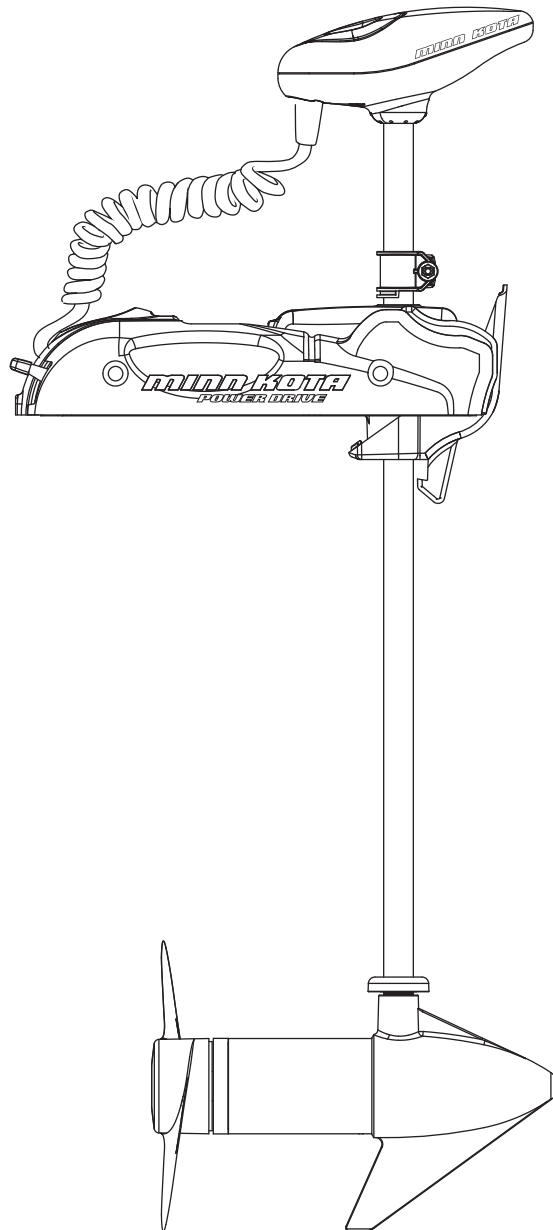
[minnkotamotors.com](http://minnkotamotors.com)

Minn Kota Consumer & Technical Service  
Johnson Outdoors Marine Electronics, Inc.  
PO Box 8129  
Mankato, MN 56001

121 Power Drive  
Mankato, MN 56001  
Phone (800) 227-6433  
Fax (800) 527-4464



©2015 Johnson Outdoors Marine Electronics, Inc.  
All rights reserved.



**POWERDRIVE V2**  
MOTEUR DE PÊCHE À LA TRAÎNE  
MONTÉ SUR L'ÉTRAVE  
MANUEL DE L'UTILISATEUR

## MANUEL CE D'UN MASTER (CE/C-TICK CERTIFIED MODELS)

Conforme à la norme 89/336/EEC (EMC) selon les normes EN 55022A, EN 50082-2 depuis 1996 LN V9677264

## MERCI

Nous vous remercions d'avoir choisi Minn Kota. Nous sommes persuadés que vous devriez consacrer plus de temps à pêcher et moins de temps à amarrer votre embarcation. C'est pourquoi nous construisons les propulseurs électriques les plus intelligents, les plus solides et les plus intuitifs. Chaque aspect d'un propulseur électrique Minn Kota est envisagé et étudié jusqu'à ce qu'il soit digne de porter notre nom. Des heures incalculables de recherche et d'essai vous assurent les avantages d'un article Minn Kota qui vous mènera n'importe où, et n'importe quand. Notre principe est simple, nous faisons les choses selon les règles. Nous sommes Minn Kota. Et nous ne cesserons jamais de vous aider à pêcher plus de poissons.

### N'OUBLIEZ PAS DE CONSERVER VOTRE REÇU ET D'ENREGISTRER IMMÉDIATEMENT VOTRE PROPULSEUR ÉLECTRIQUE.

Un formulaire d'enregistrement est compris ou vous pouvez remplir le formulaire d'enregistrement par Internet sur le site Web [minnkotamotors.com](http://minnkotamotors.com).

**REMARQUE :** ne pas retourner le moteur Minn Kota au détaillant. Le détaillant n'est pas autorisé à réparer ou à remplacer cet appareil. Pour le service communiquer avec Minn Kota au +1 (800) 227-6433; retourner le moteur au Centre de service de l'usine de Minn Kota; envoyer ou apporter le moteur à un centre de service agréé de Minn Kota. Une liste de centres de service agréés est disponible sur notre site Web [minnkotamotors.com](http://minnkotamotors.com). Pour obtenir un service au titre de la garantie, y compris toutes les options susmentionnées, veuillez inclure la preuve d'achat, le numéro de série et la date de l'achat.

**Veillez lire attentivement ce manuel de l'utilisateur.** Suivre toutes les instructions et tenir compte de toutes les consignes de sécurité et les mises en garde décrites ci-dessous. L'utilisation de ce moteur n'est autorisée que pour les personnes qui ont lu et compris ces consignes pour l'utilisateur. Les personnes mineures peuvent utiliser ce moteur uniquement sous la supervision d'un adulte.

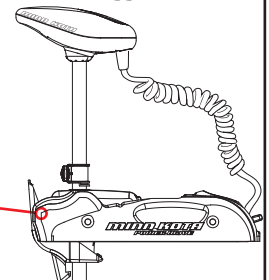
**ATTENTION :** ne jamais faire fonctionner le moteur hors de l'eau, puisque cela entraînerait des blessures causées par l'hélice en rotation. Le moteur doit être débranché de la source d'alimentation lorsqu'il n'est pas utilisé ou lorsqu'il est hors de l'eau. Au moment de brancher les câbles d'alimentation du moteur à la batterie, veiller à ce qu'ils ne soient pas entortillés ou exposés au frottement, puis les placer de telle manière que les personnes ne puissent pas faire trébucher. Avant d'utiliser le moteur, s'assurer que l'isolant des câbles d'alimentation n'est pas endommagé. Ne pas tenir compte de ces mesures de sécurité peut entraîner des courts-circuits avec les batteries et/ou le moteur. Toujours débrancher le moteur des batteries avant le nettoyage ou la vérification de l'hélice. Éviter de submerger complètement le moteur, car l'eau pourrait pénétrer dans l'unité inférieure par la tête de contrôle et l'arbre. Si le moteur est utilisé alors que de l'eau est présente dans l'unité inférieure, ce dernier pourrait subir des dommages considérables. Ces dommages ne seront pas couverts par la garantie.

**ATTENTION :** veillez à ce que ni vous, ni les autres personnes ne s'approchent trop près de l'hélice en rotation, que ce soit seulement avec une partie du corps ou des objets. Le moteur est puissant et pourrait provoquer des situations périlleuses ou des blessures, pour vous ou les autres. Lorsque le moteur est en marche, se méfier des objets flottants ou des personnes qui pourraient être en train de nager. Les personnes, dont les réactions ou la capacité à faire fonctionner le moteur est/sont affaiblie (s) par l'alcool, la drogue, les médicaments ou d'autres substances, ne sont pas autorisées à utiliser ce moteur. Ce moteur n'est pas adapté à l'utilisation dans de forts courants. Le niveau de pression sonore constant du moteur au moment de l'utilisation est inférieur à 70 dB (A). Le niveau de vibration général ne dépasse pas 2,5 m/s<sup>2</sup>.

### LOCALISATION DU NUMÉRO DE SÉRIE

Le numéro de série à 11 caractères Minn Kota est très important. Il permet de déterminer le modèle spécifique et l'année de fabrication. Lorsque vous contactez le service à la clientèle ou que vous enregistrez votre article, vous aurez besoin du numéro de série de votre article. Nous vous suggérons d'inscrire le numéro de série dans l'espace fourni ci-dessous afin qu'il soit disponible ultérieurement.

**Le numéro de série de votre PowerDrive / PowerDrive V2 se trouve à l'intérieur du support de montage, sous le point d'appui du moteur.**



Modèle : \_\_\_\_\_

Numéro de série : \_\_\_\_\_

Date de l'achat : \_\_\_\_\_

Magasin où l'achat a été effectué : \_\_\_\_\_

# TABLE DES MATIÈRES

---

<b>Garantie Limitée de Deux Ans</b>	<b>24</b>
<b>Caractéristiques</b>	<b>25</b>
<b>Installation du support</b>	<b>26</b>
<b>Installation des Batteries et du Câblage</b>	<b>27-29</b>
Gréage du bateau et installation du produit	27
Tableau des dimensions de gabarit des conducteurs et disjoncteurs	27
Gabarit « Poussoir d'essai » de la batterie	28
Sélectionner la batterie adéquate	28
Comment brancher les batteries	28
<b>Schéma de Câblage du Moteur</b>	<b>29</b>
<b>Utilisation de Votre Moteur</b>	<b>30-32</b>
L'arrimage et le déploiement du moteur	30
Commandes de l'AUTOPILOT™	31
Ajuster la Profondeur du Moteur	31
Installation Du Transducteur Externe	32
<b>Utilisation de la Pédale</b>	<b>33</b>
<b>Service et Entretien</b>	<b>34</b>
<b>Dépannage &amp; Repair</b>	<b>35</b>
<b>Schéma des Pièces</b>	<b>36</b>
<b>Liste des Pièces</b>	<b>37</b>
<b>Déclaration de conformité</b>	<b>38</b>
<b>Remarques</b>	<b>39</b>

# GARANTIE LIMITÉE

## GARANTIE DES PROPULSEURS ÉLECTRIQUES POUR EAU DOUCE

Johnson Outdoors Marine Electronics, Inc. (« JOME ») offre la garantie limitée suivante uniquement à l'acheteur au détail initial. La garantie n'est pas transférable.

### GARANTIE LIMITÉE DE DEUX ANS DE MINN KOTA SUR L'ENSEMBLE DU PRODUIT

JOME garantit uniquement à l'acheteur au détail initial que son nouveau propulseur électrique pour eau douce Minn Kota est exempt de défauts résultant d'un vice de fabrication et de main-d'œuvre pouvant survenir au cours des deux (2) ans suivant la date d'achat. JOME se réserve le droit de réparer ou de remplacer, au choix et gratuitement, toute pièce pouvant s'avérer défectueuse pendant la durée de la présente garantie. Cette réparation ou ce remplacement est l'unique et exclusive responsabilité de JOME et constitue le seul recours de l'acheteur pour tout manquement à la présente garantie.

### GARANTIE À VIE LIMITÉE DE MINN KOTA SUR L'ARBRE COMPOSITE

JOME garantit uniquement à l'acheteur au détail initial que l'arbre composite de son propulseur électrique Minn Kota est exempt de défauts résultant d'un vice de fabrication et de main-d'œuvre pouvant survenir au cours de la durée de vie de l'acheteur initial. JOME fournira, gratuitement, un arbre composite neuf pour remplacer tout arbre composite pouvant s'avérer défectueux pendant la durée de la présente garantie. Fournir un arbre composite neuf sera la seule et exclusive responsabilité de JOME et le seul et unique recours de l'acheteur pour tout manquement à la présente garantie; et l'acheteur sera responsable de l'installation ou du coût de la main-d'œuvre pour l'installation de tout arbre composite neuf, fourni par JOME.

### EXCLUSIONS & LIMITATIONS

La présente garantie limitée ne s'applique pas aux produits qui ont été utilisés en eau salée, en eau saumâtre ou à des fins commerciales ou locatives. Cette garantie ne couvre pas l'usure normale, les imperfections qui n'affectent pas le fonctionnement du moteur, ni les dommages causés par les accidents, l'abus, l'altération, la modification, les dommages durant le transport, les désastres naturels, la négligence de l'utilisateur, l'utilisation abusive, un soin ou un entretien inadéquat. **LES DOMMAGES CAUSÉS PAR L'UTILISATION DE PIÈCES DE REMPLACEMENT NON CONFORMES AUX SPÉCIFICATIONS DE CONCEPTION DES PIÈCES ORIGINALES NE SONT PAS COUVERTS PAR LA PRÉSENTE GARANTIE LIMITÉE.** Le coût de l'entretien normal ou des pièces de rechange qui ne contreviennent pas à la garantie limitée incombe à l'acheteur. Avant utilisation, l'acheteur doit déterminer si le produit convient à l'emploi prévu et assume tous les risques et responsabilités connexes. Toute assistance fournie par JOME à l'acheteur ou au nom de ce dernier hors du cadre des modalités, des restrictions et des exclusions de la présente garantie limitée ne constitue pas une renonciation à l'égard de telles modalités, restrictions ou exclusions, et une telle assistance n'aura pas pour effet de prolonger ni de restaurer la garantie. JOME ne remboursera aucune dépense encourue par l'acheteur dans le cadre de la réparation, de la correction ou du remplacement de pièces ou de produits défectueux, à l'exception des dépenses engagées sur consentement écrit préalable de JOME. **LA RESPONSABILITÉ GLOBALE DE JOME À L'ÉGARD DES PRODUITS COUVERTS PAR LA GARANTIE EST LIMITÉE À UN MONTANT ÉQUIVALENT AU PRIX D'ACHAT PAYÉ POUR LE PRODUIT EN QUESTION.**

### INFORMATION SUR LE SERVICE MINN KOTA

Pour obtenir le service au titre de la garantie aux États-Unis, le produit jugé défectueux et la preuve d'achat originale (comportant la date d'achat), doivent être présentés à un centre de service agréé Minn Kota ou au centre de service de l'usine de Minn Kota à Mankato, au Minnesota. Tous les frais encourus pour des appels de service, de transport ou d'expédition à destination ou à partir du centre de service agréé ou de l'usine Minn Kota, de main-d'œuvre pour transporter, retirer, réinstaller ou regérer les articles retirés pour le service de garantie, ou tout autre élément similaire, sont sous la seule et unique responsabilité unique et exclusive de l'acheteur. Les articles achetés à l'extérieur des États-Unis doivent être retournés, port payé avec la preuve d'achat (y compris la date d'achat et le numéro de série), à tout centre de service agréé Minn Kota dans le pays de l'achat. Le service au titre de la garantie peut être obtenu en communiquant avec le centre de service agréé de Minn Kota ou l'usine au +1 (800) 227-6433 ou par courriel à l'adresse suivante [service@minnkotamotors.com](mailto:service@minnkotamotors.com). Les produits réparés ou remplacés seront garantis pour la durée restante de la période de garantie initiale [ou pendant 90 jours à compter de la date de réparation ou de remplacement, la période la plus longue étant retenue]. Tout produit retourné aux fins de services en vertu de la garantie qui, selon JOME, n'est pas couvert par la garantie limitée ou n'y contrevient pas sera facturé pour les services rendus au taux horaire de main-d'œuvre affiché en vigueur, pour une facturation minimale d'une heure.

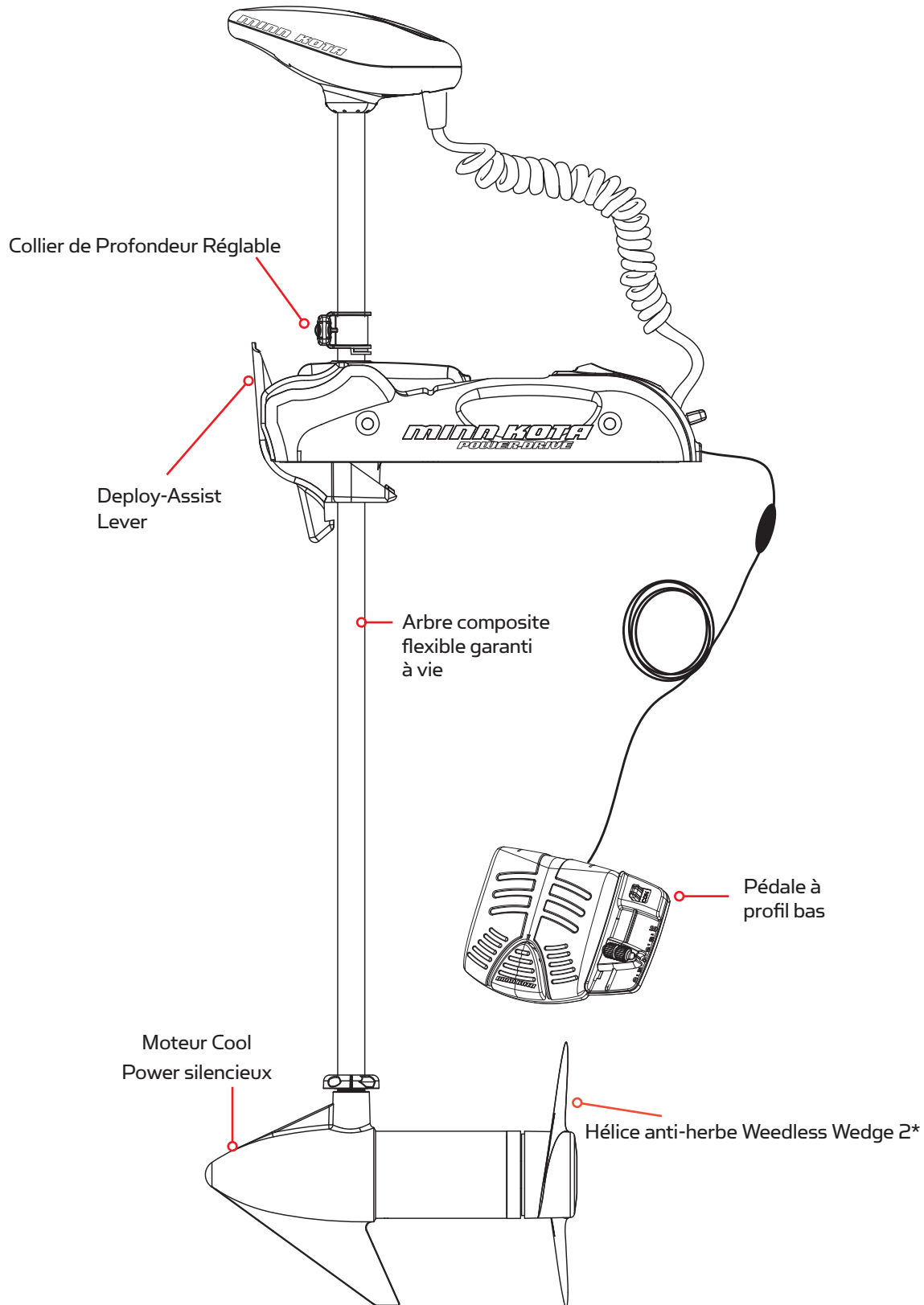
**REMARQUE:** ne pas retourner l'article Minn Kota au détaillant. Le détaillant n'est pas autorisé à le réparer ou à le remplacer.

**IL N'Y A AUCUNE GARANTIE EXPRESSE AUTRE QUE LES PRÉSENTES GARANTIES LIMITÉES. AUCUNE GARANTIE IMPLICITE, Y COMPRIS QUELQUE GARANTIE IMPLICITE DE QUALITÉ MARCHANDE OU D'ADÉQUATION À UN USAGE PARTICULIER, NE SE PROLONGERA AU-DELÀ DE LA DURÉE DE LA PRÉSENTE GARANTIE LIMITÉE EXPRESSE. JOME NE POURRA EN AUCUNE FAÇON ÊTRE TENUE RESPONSABLE DES DOMMAGES PUNITIFS, INDIRECTS, ACCESSOIRES, CONSÉCUTIFS OU PARTICULIERS. Sans limiter la portée de ce qui précède, JOME décline toute responsabilité en cas de perte d'utilisation du produit, perte de temps, d'inconvénient et d'autre dommage.**

Certains états ne permettent pas de limites sur la durée d'une garantie implicite ou l'exclusion ou limitation des dommages accessoires ou indirects, donc, les limitations ou exclusions ci-dessus peuvent ne pas s'appliquer à vous. La présente garantie vous donne des droits légaux spécifiques et vous pouvez également bénéficier d'autres droits qui varient d'un État à l'autre.



# CARACTÉRISTIQUES



Les spécifications peuvent faire l'objet de modifications sans préavis.

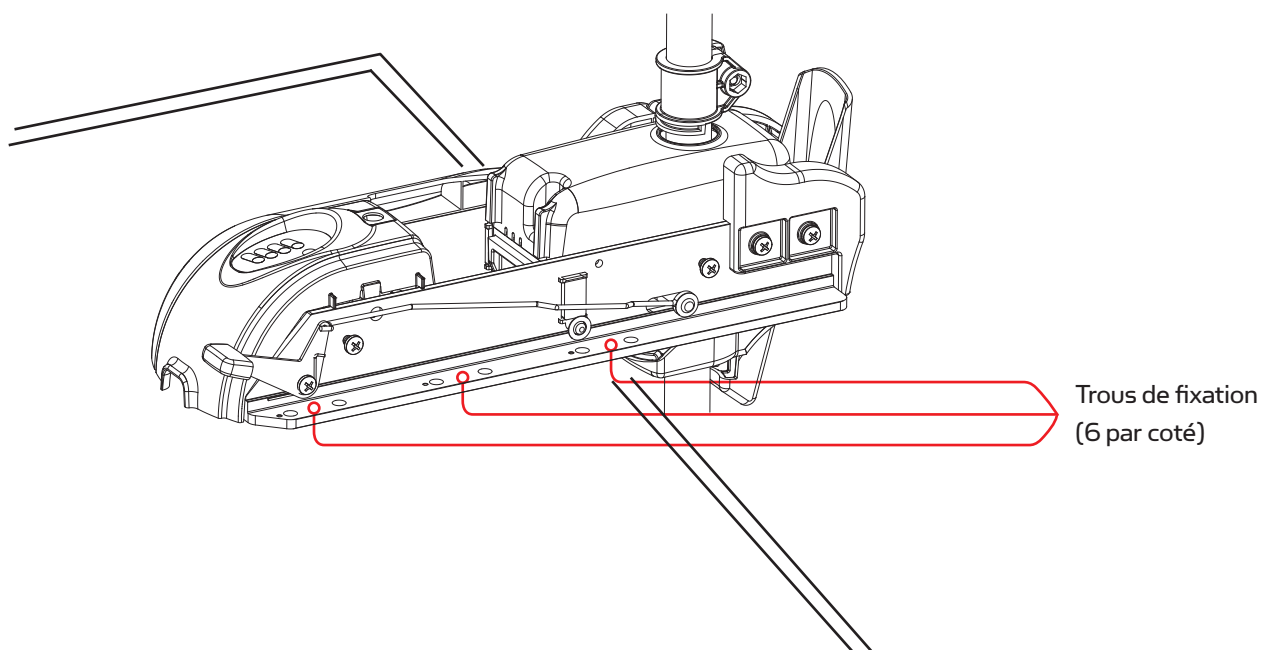
\* Le schéma est fourni aux fins de référence seulement et peut différer de votre moteur actuel.

# INSTALLATION DU SUPPORT

## OUTILS ET RESSOURCES NÉCESSAIRES :

- Tournevis Phillips
- Perceuse
- Mèche de 7,144 mm (9/32")
- Clé à oeil de 11 mm (7/16 ")
- Une deuxième personne pour vous aider avec l'installation

1. Déposer les quatre vis des capots latéraux. Déposer le capot latéral droit et faire glisser le capot gauche vers l'extérieur en le retirant de l'extrusion de base.
2. Placer le moteur sur la proue du bateau en position déployée.
  - a. Il est recommandé de monter le moteur le plus près possible de l'axe du bateau.
  - b. S'assurer qu'il n'y pas d'obstacle au perçage dans la zone de la proue située sous l'emplacement de montage et qu'il est possible de placer les écrous et les rondelles.
  - c. S'assurer que le support est placé de façon à ce que l'arbre se trouve assez loin derrière la bande de frottement du bateau par 38,1 mm (1-1/2 in). L'unité inférieure ne doit rencontrer aucun obstacle lorsqu'elle est abaissée ou remontée.  
**Attention: Lors de la descente ou du relevage du moteur, ne pas approcher les doigts des pivots et des pièces mobiles.**
3. Une fois le support positionné, tracer l'emplacement de quatre des douze trous sur le support de proue pour le perçage. Si possible, utiliser les trous les plus éloignés les uns des autres et percer les trous avec une mèche de 9/32 in.
4. Monter la plaque sur la proue à l'aide des vis, écrous et rondelles fournis.
5. Remettre les capots latéraux et leurs vis en place.



# INSTALLATION DES BATTERIES ET DU CÂBLAGE

## GRÉEMENT DE L'EMBARCATION ET INSTALLATION DU PRODUIT

Pour des raisons de sécurité et de conformité, nous vous recommandons de suivre les normes du conseil américain sur les embarcations et les yachts (ABYC) pour le gréement de l'embarcation. Les altérations dans le câblage de l'embarcation devraient être complétées par un technicien de marine qualifié. Les spécifications suivantes sont seulement des lignes directrices générales:

**MISE EN GARDE!** ces lignes directrices s'appliquent au gréement général pour soutenir le moteur de Minn Kota. L'alimentation de multiples moteurs ou d'autres appareils électriques, à partir du même circuit d'alimentation, peut influencer sur le gabarit de conducteurs et le dimensionnement des disjoncteurs recommandé. Pour un fil plus long que celui fourni avec l'appareil, suivre le tableau de dimensionnement de gabarit des conducteurs et des disjoncteurs du tableau ci-dessous. Si la longueur totale de la rallonge est de plus de 25 pi (7,60 m), nous vous recommandons de communiquer avec un technicien maritime qualifié.

**Un dispositif de protection contre la surintensité (disjoncteur ou fusible) doit être utilisé.** Les préalables de la garde côtière exigent que chaque conducteur de courant, qui n'est pas fixé, soit protégé par un fusible ou un disjoncteur qui se réinitialise manuellement et qui ne peut se déclencher automatiquement. Le dimensionnement du type (courant et tension de puissance nominale) de fusible ou de disjoncteur doit être choisi en fonction du propulseur électrique utilisé. Le tableau ci-dessous donne les lignes directrices recommandées pour ce qui est du dimensionnement des disjoncteurs.

### Référence :

Le code des règlements fédéraux des États-Unis : article 183 du titre 33 du CFR - Embarcations et équipements associés ABYC E-11 : systèmes électriques CA et CC sur les embarcations.

## TABLEAU DES DIMENSIONS DE GABARIT DES CONDUCTEURS ET DISJONCTEURS

Modèle / poussée du moteur	Courant Tiré Max	Disjoncteur	Longueur de la Rallonge*				
			1.5 mètres	3 mètres	4.5 mètres	6 mètres	7.5 mètres
30 lb.	30	50 Amp @ 12 VDC	5 mm	5 mm	8 mm	13 mm	21 mm
40 lb., 45 lb.	42		5 mm	8 mm	13 mm	21 mm	21 mm
50 lb., 55 lb.	50	60 Amp @ 12 VDC	8 mm	13 mm	21 mm	21 mm	33 mm
70 lb.	42	50 Amp @ 24 VDC	5 mm	5 mm	8 mm	8 mm	13 mm
80 lb.	56	60 Amp @ 24 VDC	8 mm	8 mm	8 mm	13 mm	13 mm
101 lb.	46	50 Amp @ 36 VDC	8 mm	8 mm	8 mm	8 mm	8 mm
Engine Mount 101	50	60 Amp @ 36 VDC	8 mm	13 mm	21 mm	21 mm	33 mm
112 lb.	52	60 Amp @ 36 VDC	8 mm	8 mm	8 mm	8 mm	8 mm
Engine Mount 160	116	(2) x 60 Amp @ 24 VDC	33 mm	33 mm	33 mm	33 mm	33 mm
E-Drive	40	50 Amp @ 48 VDC	5 mm	5 mm	5 mm	5 mm	5 mm

**Le présent tableau des dimensions de gabarit des conducteurs et disjoncteurs est uniquement valable pour les hypothèses suivantes:**

1. Il n'y a pas plus de 3 conducteurs qui sont regroupés à l'intérieur d'une gaine ou d'un conduit à l'extérieur de l'espace moteur.
2. Chaque conducteur est muni d'un isolant d'une température nominale de 105 °C.
3. Aucune chute de tension de plus de 5 % n'est autorisée lorsque le moteur est à plein régime, en fonction des exigences en matière d'alimentation du produit qui ont été publiées.

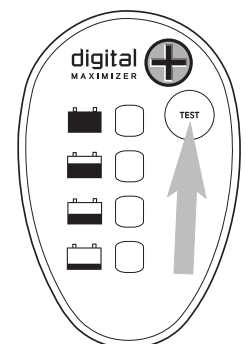
**\*La longueur de la rallonge fait référence à la distance séparant les batteries des fils du propulseur électrique.**

## GABARIT « POUSSOIR D'ESSAI » DE LA BATTERIE

La batterie de ce moteur est munie d'un gabarit « Poussoir d'essai ». La DEL assure un affichage précis de la charge restante dans la batterie. Il est uniquement précis lorsque le moteur est coupé.

Le gabarit se lit comme suit:

- Un voyant indique une recharge.
- Deux voyants indiquent une faible charge.
- Trois voyants indiquent une bonne qualité de charge.
- Quatre voyants indiquent une pleine charge.



## SÉLECTIONNER UNE BATTERIE ADÉQUATE

Le moteur fonctionnera avec toute batterie marine plomb/acide à décharge profonde de 12 volts. Pour un meilleur résultat, utiliser une batterie marine à décharge profonde avec ampérage nominal d'au moins 105 ampères/heure. Selon une estimation générale effectuée sur l'eau, votre moteur de 12 volts utilisera un ampère par heure et votre moteur de 24 volts, 0,75 ampère par heure, pour chaque coup de poussée produite lorsque le moteur tourne à plein régime. L'ampérage réel utilisé est en fonction des conditions environnementales spécifiques et des exigences de fonctionnement. Maintenir la batterie complètement chargée. Un entretien adéquat fera en sorte que le courant sera disponible le moment venu et améliorer considérablement la durée de vie de la batterie. Le fait de ne pas recharger les batteries au plomb (dans les 12 à 24 heures) est la principale cause de défaillance prématurée de celles-ci. Utiliser un chargeur à taux variable afin d'éviter une surcharge. Nous offrons une vaste sélection de chargeurs en fonction de vos besoins. Si vous utilisez une batterie à manivelle pour démarrer un moteur hors-bord à essence, nous vous recommandons d'utiliser des batteries marines à décharge profonde séparées pour votre propulseur électrique Minn Kota.

### Conseils concernant les batteries :

- ne jamais brancher les bornes (+) et (-) de la même batterie ensemble. S'assurer qu'aucun objet métallique ne puisse tomber sur la batterie et provoquer un court-circuit aux bornes. Cela provoquerait immédiatement un court-circuit et un risque extrême d'incendie.
- Il est fortement recommandé d'utiliser un disjoncteur ou un fusible avec ce propulseur électrique. Consulter le « Tableau des dimensions de gabarit des conducteurs et disjoncteurs » dans la section précédente pour trouver le disjoncteur ou fusible approprié convenant à votre moteur. Pour les moteurs nécessitant un disjoncteur de 60-A, le disjoncteur Minn Kota MKR-19 60-A est recommandé.

## COMMENT RACCORDER LA BATTERIE

### SYSTÈMES DE 12 VOLTS:

1. S'assurer que le moteur est coupé (sélecteur de vitesse sur « 0 »).
2. Raccorder le fil rouge positif (+) à la borne positive (+) de la batterie.
3. Raccorder le fil noir négatif (-) à la borne négative (-) de la batterie.
4. Pour des raisons de sécurité, ne pas allumer le moteur jusqu'à ce que l'hélice soit dans l'eau.

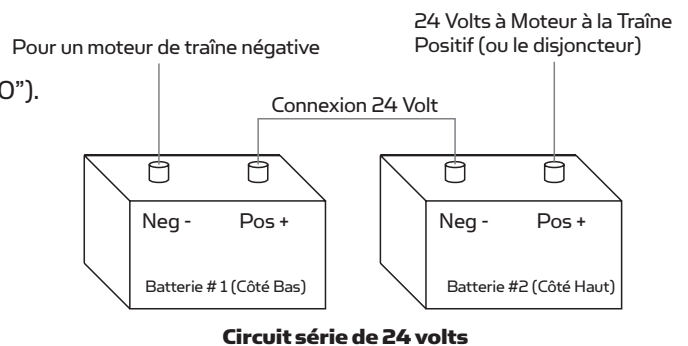
### MISE EN GARDE

**Pour des raisons de sécurité, débrancher le moteur des batteries lorsque le moteur n'est pas utilisé ou pendant la charge.**

## COMMENT BRANCHER LES BATTERIES

### SYSTÈMES DE 24 VOLTS :

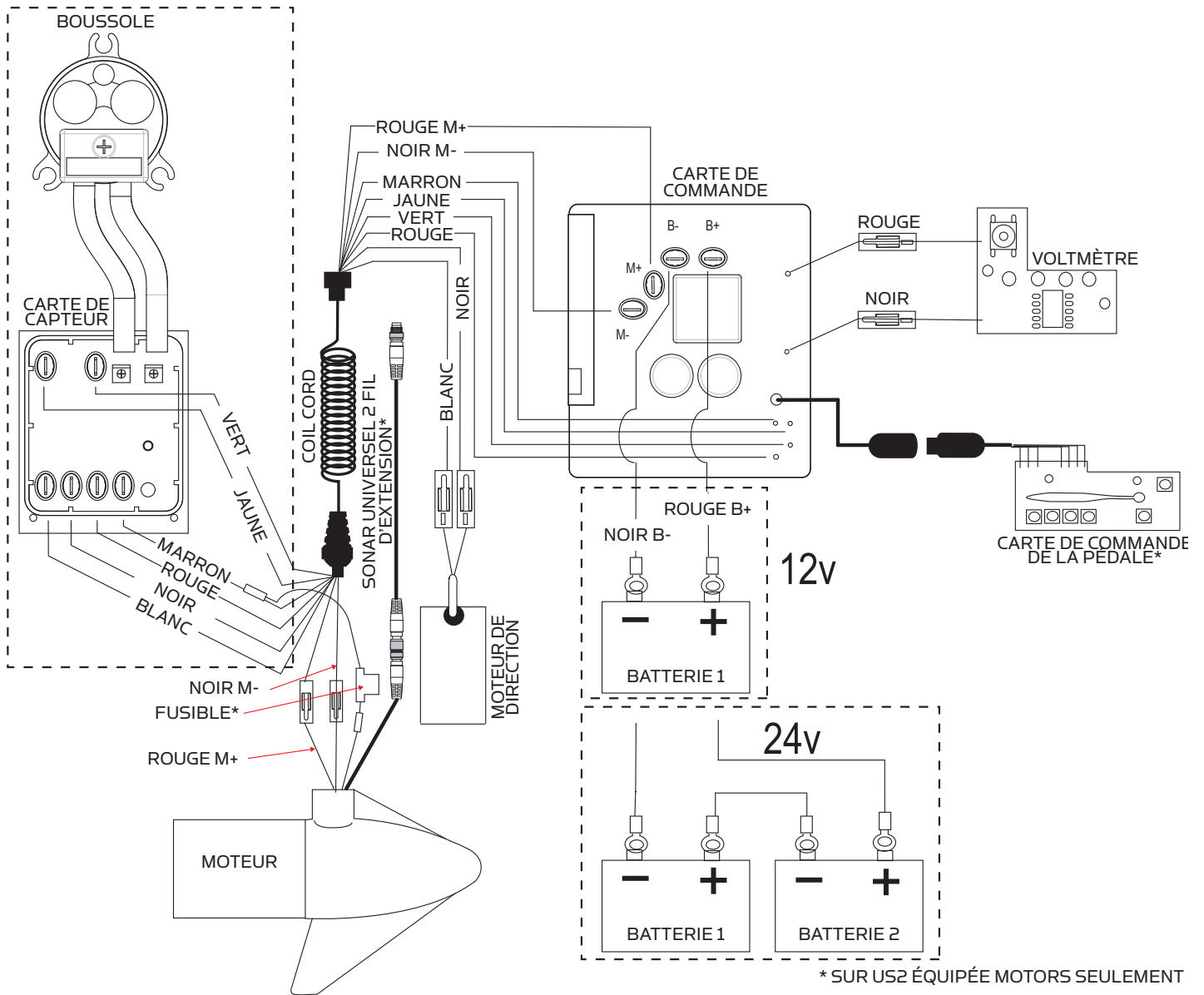
1. Assurez-vous que le moteur est éteint (sélecteur de vitesse sur "0").
2. Deux batteries de 12 volts sont nécessaires.
3. Les batteries doivent être branchées en série, uniquement tel qu'illustré dans le schéma de câblage, afin de fournir 24 volts.
  - a. Branchez un câble de raccordement à la borne positive (+) de la batterie 1 et à la borne négative (-) de la batterie 2.
  - b. Branchez le fil rouge positif (+) à la borne positive (+) sur la batterie 2.
  - c. Branchez le fil noir négatif (-) à la borne négative (-) de la batterie 1.
4. Pour des raisons de sécurité, n'allumez pas le moteur jusqu'à ce que l'hélice soit dans l'eau. Si vous installez un raccordement en fil de plomb, respectez les polarités appropriées et suivez les instructions qui se trouvent dans votre manuel du propriétaire du bateau. Voir le schéma de câblage sur les pages suivantes.



# SCHÉMA DE CÂBLAGE DU MOTEUR

**REMARQUE:** Il s'agit d'un schéma multi-tensions universel. Vérifier à nouveau la tension du moteur afin de vous assurer que les raccordements sont appropriés. Les dispositifs de protection contre la surintensité ne figurent pas dans cette illustration.

AUTOPILOT ÉQUIPÉE MOTORS SEULEMENT



# UTILISATION ET RÉGLAGE DU MOTEUR

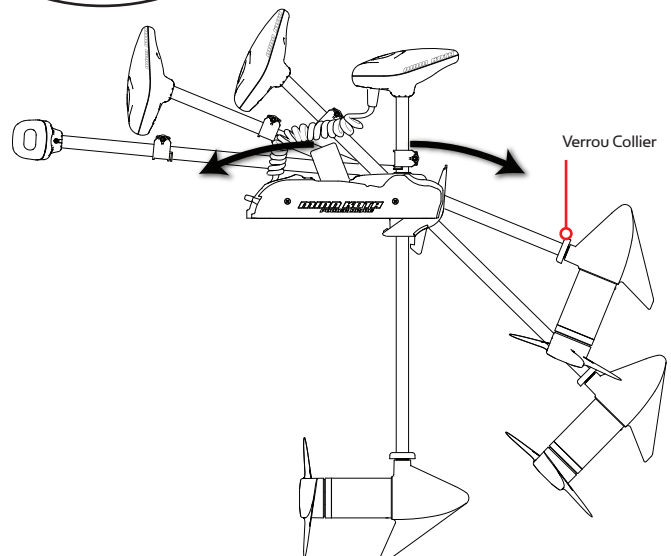
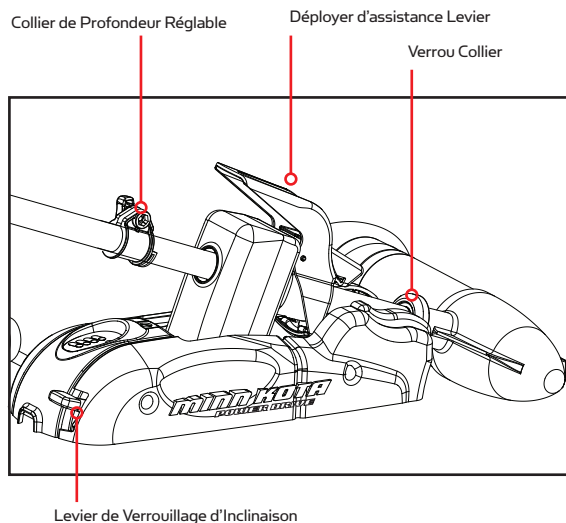
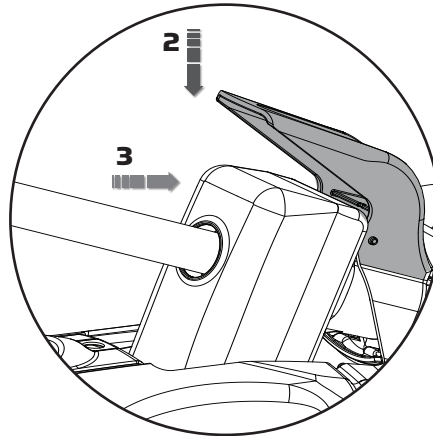
## L'ARRIMAGE ET LE DÉPLOIEMENT DU MOTEUR

### WARNING:

**AVERTISSEMENT! : Lorsque vous remontez ou abaissez le moteur, gardez vos doigts loin de toutes charnières et points de pivot et de toutes pièces mobiles..**

### LE LEVIER OPÉRATIONNEL VERROUILLAGE D'INCLINAISON:

1. Desserrez la bague de réglage de profondeur.
2. Poussez le levier d'aide au déploiement vers le bas.
3. Retirez le moteur.
4. Resserrez la bague de réglage de profondeur.



### DÉPLOIEMENT

Desserrez la bague de réglage de profondeur, puis appuyez fermement sur le levier d'aide au déploiement pour relâcher la bague et glissez le moteur vers l'avant, de l'extérieur de la rampe. Abaissez le moteur à la profondeur désirée. Assurez-vous qu'il s'enclenche en position verticale, de façon sécuritaire.

### ARRIMAGE

Appuyez sur le levier de verrouillage inclinable et levez le moteur en tirant sur le manche en composite ou sur la tête de contrôle. Tirez le moteur vers la poupe jusqu'à ce qu'il soit appuyé solidement sur la rampe et lorsque le levier d'aide au déploiement retient la bague de verrouillage. Glissez la bague de réglage de profondeur et fixez-la contre la partie supérieure du boîtier du gouvernail pour fixer le moteur en place et empêcher un déploiement accidentel.

### TRANSPORTATION

Dans le cas où le moteur est soumis à des vibrations ou à des chocs violents, veiller à assurer un arrimage ferme. Mettre le collier de profondeur contre le moteur de direction et le serrer.

### RÉGLAGE DU COLLIER DE VERROUILLAGE

Le collier de verrouillage est réglable. Si nécessaire, desserrer les vis Philips et tourner le collier vers le haut ou vers le bas pour réaligner le verrou et le collier. Le réglage idéal est un ajustement légèrement lâche qui emprisonne complètement le collier.

## COMMANDES DE L'AUTOPILOT™

### (PILOTE AUTOMATIQUE SEULEMENT SUR MOTEURS ÉQUIPÉS)

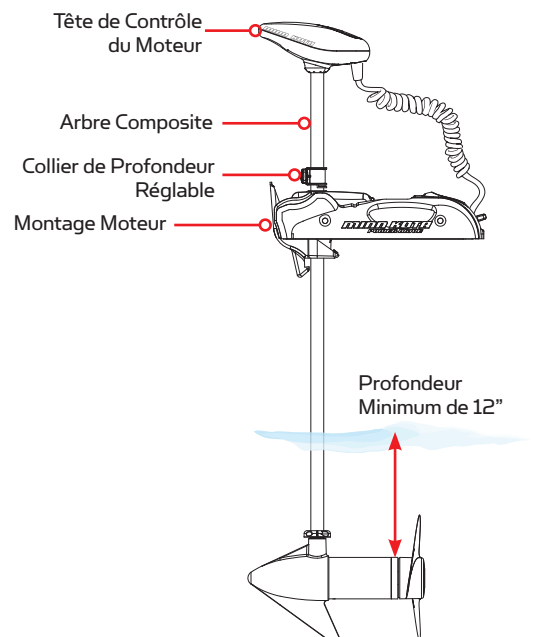
L'AutoPilot MINNKOTA utilise une boussole magnétique et un microprocesseur qui permettent de pointer le moteur de pêche dans la direction voulue. Si le vent ou les courants font dériver le bateau, l'AutoPilot note le changement de cap et remet le bateau dans la bonne direction. La direction de l'AutoPilot est réglée à chaque changement de direction. Pour changer de direction, tourner jusqu'à ce que la tête de commande pointe dans la direction désirée. L'AutoPilot tire alors le bateau dans la direction choisie et fait les corrections nécessaires pour naviguer dans la direction voulue.

1. Cet appareil est muni d'un interrupteur automatique de direction de sécurité. Au cas où un obstacle empêche le moteur de pêche de tourner ou par vent fort, la direction automatique peut s'interrompre. Toute entrée de pilotage réinitialiser le système à la normale.
2. Si la commande de l'AutoPilot est sur marche au moment du relevage du moteur, l'AutoPilot continue à fonctionner. Mettre la commande de l'AutoPilot sur arrêt pour arrêter le moteur. Si la commande est laissée sur marche, l'AutoPilot s'arrête automatiquement au bout de 10 secondes. Ne pas remiser le moteur pour de longues périodes dans cette condition: l'électronique est toujours sous tension. Toujours mettre l'AutoPilot sur arrêt et débrancher le moteur de la batterie lorsque le bateau est remisé.
3. Cet appareil perçoit le cap du bateau au moyen d'une boussole magnétique. La boussole peut être faussée par des aimants ou par des masses importantes de métaux ferreux à proximité moins de 12 in. du moteur.
4. Lors d'un changement de cap, la direction se verrouille après un court délai destiné à laisser la boussole se stabiliser.
5. Des obstructions sur l'hélice peut entraîner des vibrations excessives au niveau du moteur. Ces vibrations peuvent entraîner des errements dans la direction. Éliminer les obstructions pour permettre au moteur de fonctionner normalement.
6. En cas de changements de vitesse importants, l'orientation du moteur peut varier légèrement. Cette situation est normale.

## POUR AJUSTER LA PROFONDEUR DU MOTEUR

Au moment du réglage de la profondeur, s'assurer que le dessus du moteur est immergé à au moins 12 po (30,5 cm) afin d'éviter de faire tourbillonner ou d'agiter l'eau à la surface. L'hélice doit être complètement submergée.

1. Lorsque le propulseur est déployé, saisissez fermement le manche composite situé au-dessus du support.
2. Desserrer le bouton de profondeur/entraînement pour que l'arbre coulisse librement.
3. Remonter ou abaisser le moteur à la profondeur voulue.
4. Tournez la tête de contrôle du moteur à la position désirée.
5. Serrer le bouton pour fixer le moteur en place.



## INSTALLATION D'UN TRANSDUCTEUR EXTERNE

Un transducteur sonar externe peut être installé sur le propulseur comme indiqué.

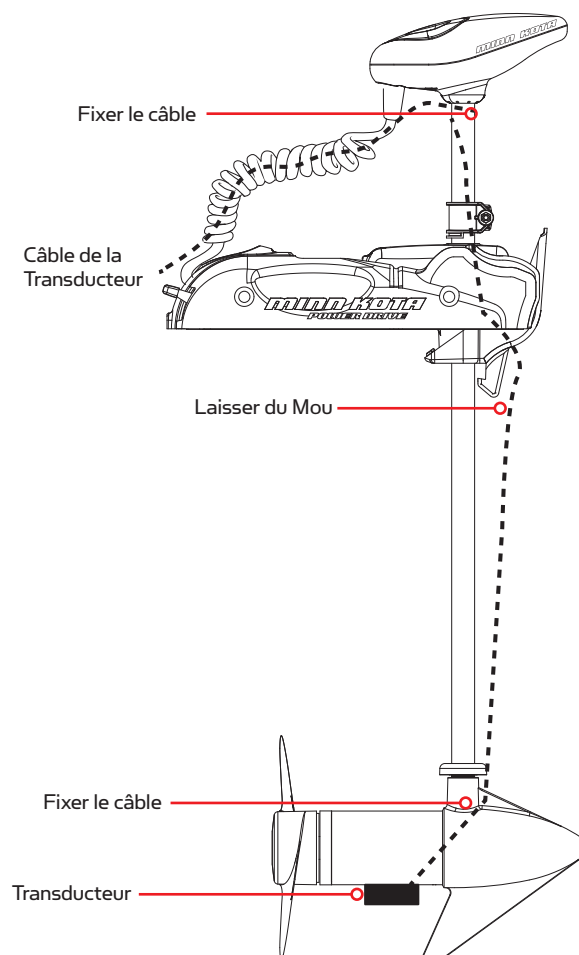
1. Les câbles du transducteur doivent passer par le câble enroulé comme illustré par l'image de droite.
2. Laissez suffisamment de jeu pour permettre un déploiement et une rétraction appropriés.
3. Assemblez le transducteur selon ses propres instructions.

**REMARQUE:** aucun transducteur externe n'est inclus avec votre propulseur électrique. Un transducteur sonar universel 2 peut être préinstallé sur votre propulseur électrique. Dans ce cas, le transducteur est intégré à l'unité du propulseur.

Pour plus d'informations sur le Universal Sonar 2, visitez [minnkotamotors.com/us2](http://minnkotamotors.com/us2)

### ACCESSOIRES RECOMMANDÉS:

- Minn Kota Transducer Mounting Kit (MKR-15)





# UTILISATION DE LA PÉDALE

Toutes les commandes dans la pédale sont faciles à utiliser du pied ou de la main. Une légère pression est tout ce qui est nécessaire.

## MOMENTANÉ

Pousser de l'orteil la pédale de « mise en marche temporaire » allume le moteur. Relâchez-la et le moteur s'éteint.

## INTERRUPTEUR DE FONCTIONNEMENT TEMPORAIRE/CONTINU

Quand l'interrupteur est en position de fonctionnement continu (CON), le moteur fonctionne continuellement sans garder votre pied sur la pédale. Glissez l'interrupteur sur la position de fonctionnement temporaire (MOM) pour de nouveau le faire fonctionner d'une pression de l'orteil.

## DROITE/GAUCHE

Placez votre pied au centre de la pédale de direction, inclinez-la vers la droite pour tourner à droite, vers la gauche pour tourner à gauche. Votre talon peut aussi reposer sur le pont du bateau. En vous servant de votre talon comme pivot, appuyez sur et maintenez enfoncé le centre temporairement pour mettre en marche le moteur ou le côté gauche ou droit de la pédale pour diriger vers la gauche ou la droite.

**REMARQUE:** Le système de direction est conçu pour tourner votre moteur sur 360°. Faites attention de ne pas trop enrouler le câble de la bobine autour de l'arbre composite.

## MARCHE AVANT/ARRIÈRE

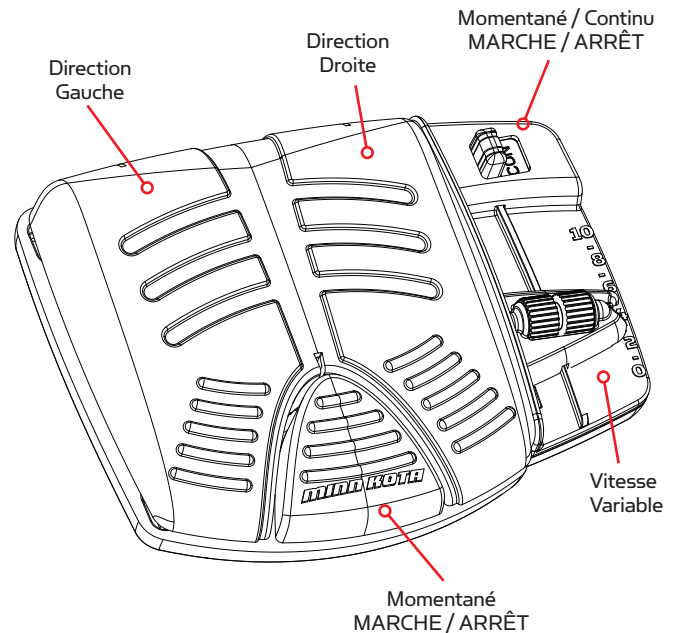
Les moteurs propulsent toujours vers l'avant quand vous enfoncez la pédale. Vous pouvez changer la direction de la poussée en tournant le moteur de 180°.

## COMMANDE DE VITESSE

Le sélecteur de vitesse est la barre coulissante étalonnée se trouvant sur le côté droit de la pédale. Le sélecteur de vitesse offre une commande de vitesse infiniment variable avec le système de modulation d'impulsion incorporé. Glissez la barre du pied ou de la main vers l'avant pour accélérer. Ramenez la barre vers l'arrière pour décélérer. Le système coulissant comporte aussi une roulette pour aider à régler précisément la vitesse. Glissez simplement votre pied sur la roulette en exerçant une légère pression pour régler la vitesse. Il se peut que le moteur ne commence pas à tourner avant que le coulisseau de vitesse n'atteigne la vitesse 1 ou 2. Ceci dépend des tolérances du fabricant et du fait que l'accessoire CoPilot est installé.

## UTILISATION D'UN BATEAU SANS TAPIS

Votre propulseur comprend quatre (4) butées de caoutchouc. Si la pédale de pied est utilisée principalement sur des surfaces sans tapis, insérez les butées de caoutchouc dans les trous en poire sur le dessous de la pédale. Faites glisser les butées dans les trous jusqu'à ce qu'elles soient en position verrouillée.



# SERVICE ET ENTRETIEN

## REPLACEMENT DE L'HÉLICE

### OUTILS ET RESSOURCES NÉCESSAIRES:

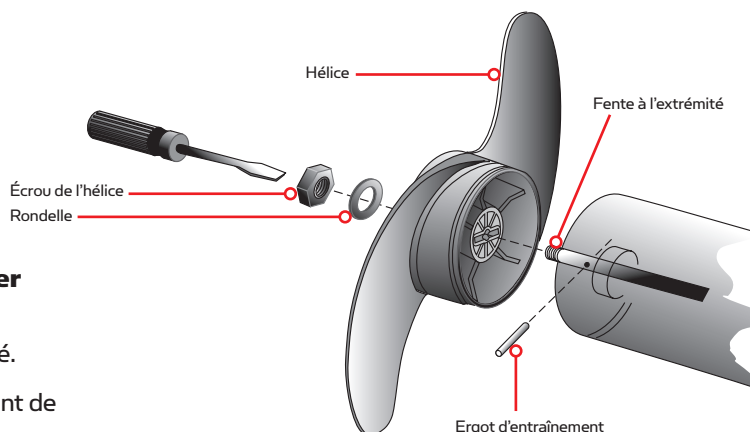
- Clé à oeil
  - 1/2" pour les moteurs à £ 70 ou moins poussée.
  - 9/16" pour les moteurs à poussée £ 80 ou plus.
- Tournevis (facultatif)

### MISE EN GARDE:

**Débrancher le moteur de la batterie avant d'effectuer tout travail ou entretien sur l'hélice.**

**NOTE:** L'hélice sur votre moteur peut différer de celui illustré.

1. Débrancher le moteur de toute source d'alimentation avant de changer l'hélice.
2. Tenir l'hélice, puis desserrer l'écrou de l'hélice à l'aide d'une pince ou d'une clé.
3. Retirer l'écrou et la rondelle de l'hélice. Si l'ergot d'entraînement est cisailé ou cassé, tenir l'arbre stable à l'aide d'une lame de tournevis enfoncée dans la fente à l'extrémité de l'arbre.
4. Tourner la vieille hélice à l'horizontale (comme illustré), puis la retirer à la verticale. Si l'ergot d'entraînement tombe, le repousser à l'intérieur.
5. Aligner la nouvelle hélice avec l'ergot d'entraînement.
6. Installer la rondelle et l'écrou de l'hélice.
7. Serrer l'écrou de l'hélice 1/4 de tour de plus que le serrage initial [25 à 35 lb/po, 2,8 à 4 J]. Ne pas trop serrer, car cela peut endommager l'hélice.



## ENTRETIEN GÉNÉRAL

1. Après utilisation, le moteur en entier devrait être rincé avec de l'eau douce. Cette série de moteurs ne peut pas être exposée à l'eau salée.
2. L'arbre composite nécessite un nettoyage périodique et de lubrification pour le retrait et le déploiement approprié. Un revêtement d'une pulvérisation aqueuse à base de silicone va améliorer le fonctionnement.
3. L'hélice doit être inspectée et les algues et lignes de pêche ôtées, toutes les 20 heures de fonctionnement. Les lignes de pêche et les algues peuvent se retrouver derrière l'hélice, endommager les joints et permettre à l'eau d'entrer dans le moteur.
4. Chaque fois que le moteur est utilisé, assurez-vous que l'écrou de l'hélice est bien serré.
5. Afin de prévenir les dommages accidentels, lors du transport ou de l'entreposage, débranchez la batterie lorsque le moteur est hors de l'eau. Pour un entreposage prolongé, enduisez légèrement toutes les parties métalliques avec un protecteur à base de silicone aqueux.
6. Pour profiter de la durée de vie maximale de la batterie, rechargez la ou les batteries dès que possible après utilisation. Pour une performance maximale du moteur, rechargez la batterie complètement avant de l'utiliser.
7. Gardez les bornes de la batterie propres à l'aide de papier sablé fin ou de toile d'émeri.
8. L'hélice est conçue pour fonctionner en repoussant les algues avec un niveau d'efficacité très élevé. Pour maintenir ce haut rendement, la pointe des lames doit être gardée lisse. Si elles sont rugueuses ou ébréchées dues au fait de l'utilisation, rendez-les lisses de nouveau à l'aide de papier sablé fin.

# DÉPANNAGE ET RÉPARATION

---

1. Le moteur ne s'allume pas ou manque de puissance :
  - Vérifiez que les raccordements de la batterie respectent les bonnes polarités.
  - Assurez-vous que les bornes sont propres et sans corrosion. Utilisez du papier sablé fin ou de la toile d'émeri pour nettoyer les bornes.
  - Vérifiez le niveau d'eau de la batterie. Ajoutez de l'eau si nécessaire.
2. Le moteur perd de la puissance après avoir fonctionné un court laps de temps :
  - Vérifiez la charge de la batterie. Si le niveau est bas, remettez-la à pleine charge.
3. Vous ressentez des vibrations provenant de l'hélice lors du fonctionnement normal :
  - Retirez et faites pivoter l'hélice à 180 °. Voir les instructions de retrait dans la section hélice.
4. Votre sondeur fait l'objet d'interférences:
  - Dans certaines applications, de l'interférence à l'écran de l'échosondeur pourra survenir. Nous recommandons qu'une batterie marine à décharge profonde séparée soit utilisée pour votre propulseur électrique et que l'échosondeur soit alimenté à l'aide d'une batterie de démarrage/à manivelle. Si les problèmes persistent, communiquer avec le service technique au +1 (800) 227-6433.

**REMARQUE:** Pour tout défaut de fonctionnement, visiter un centre de service agréé. Pour un centre de service agréé dans la région, consulter la liste de nos centres de service agréés sur le site [Web minnkotamotors.com](http://Web minnkotamotors.com) ou communiquer avec notre service à la clientèle au +1 (800) 227-6433.

## POUR D'AUTRES SERVICES DE DÉPANNAGE ET DE RÉPARATION

Nous offrons plusieurs options de dépannage et/ou de réparation pour le produit. Veuillez parcourir les options énumérées ci-dessous.



### FOIRE AUX QUESTIONS

Notre site Web présente FAQ visant à répondre à toutes vos questions au sujet des produits Minn Kota. Veuillez visiter le site [Web minnkotamotors.com](http://Web minnkotamotors.com), puis cliquer sur « Foire aux questions » pour trouver réponse à vos questions.



### COMMUNIQUEZ AVEC NOUS (POUR LES ÉTATS-UNIS ET LE CANADA)

Nos représentants du service à la clientèle sont disponibles du lundi au vendredi, de 7 h 00 à 16 h 30 (HNC), au +1 (800) 227-6433. Pour commander des pièces, veuillez avoir sous la main le numéro de série à 11 chiffres du produit, les numéros des pièces nécessaires et les renseignements relatifs à la carte de crédit. Vous économiserez ainsi du temps pour un service à la clientèle de qualité supérieure. Vous pouvez consulter la liste de votre manuel pour obtenir les numéros exacts de pièce.



### ENVOYEZ-NOUS UN COURRIEL

Envoyez-nous un courriel pour transmettre à notre service à la clientèle vos questions au sujet des produits Minn Kota. Pour transmettre votre question par courriel, visitez le site [Web minnkotamotors.com](http://Web minnkotamotors.com), puis cliquer sur « Nous contacter ».



### CENTRES DE SERVICE AGRÉÉS

On compte plus de 300 centres de service agréés Minn Kota aux États-Unis et au Canada pour acheter des pièces et faire réparer vos produits. Veuillez consulter la page Web pour la liste des centres de service agréés et trouver un centre de service dans votre région.

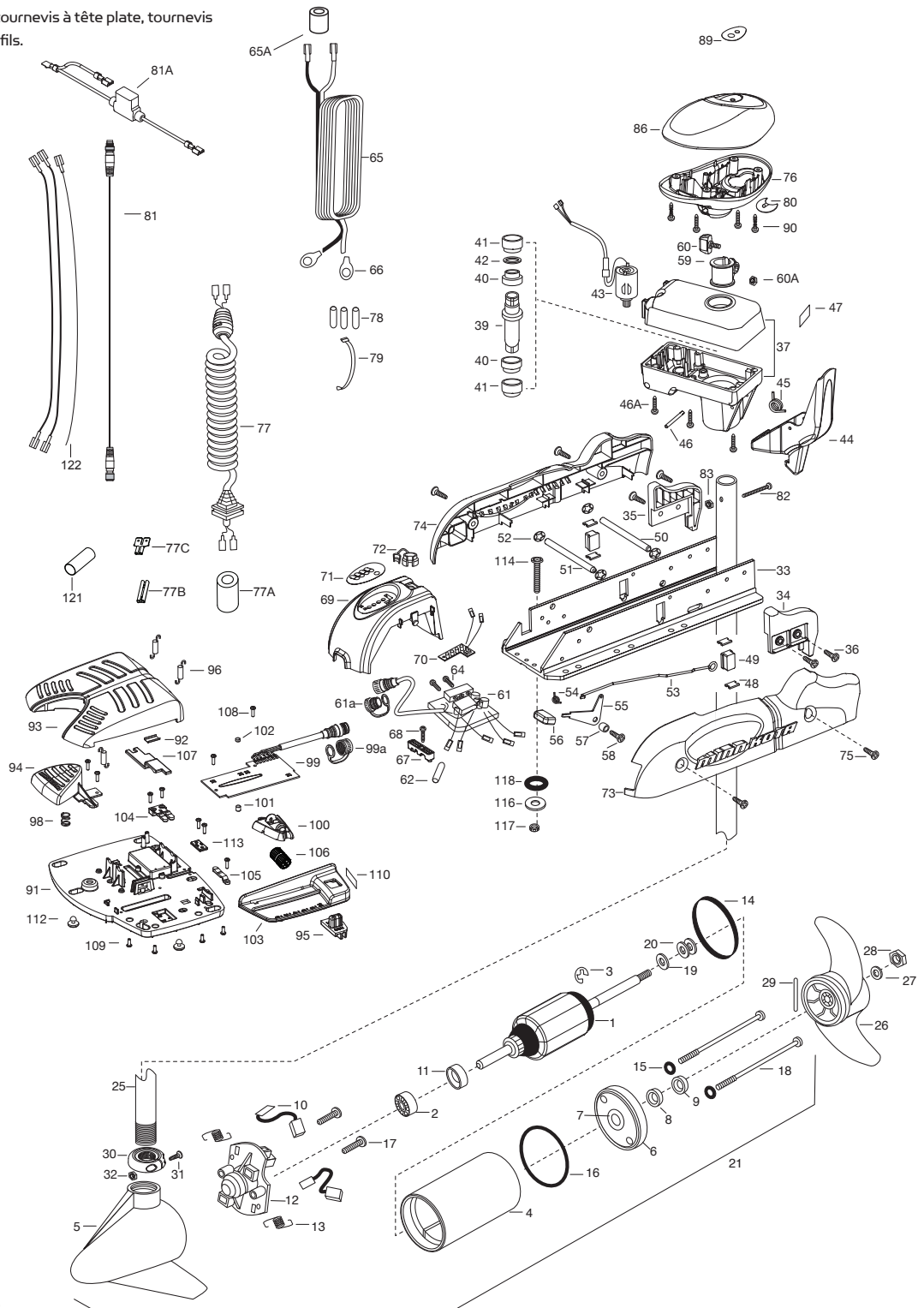
# SCHÉMA DES PIÈCES

## POWERDRIVE 70

### POUSSÉE DE 70 LB - 24 VOLTS - ARBRE 54/60 PO

Cette page fournit les consignes de dépose de Minn Kota® en conformité avec la directive DEEE. Pour de l'information supplémentaire sur l'endroit où vous pouvez vous débarrasser de l'équipement usagé pour le recyclage et la récupération et/ou sur les exigences de votre État membre de l'Union européenne, veuillez communiquer avec le détaillant ou le distributeur duquel le produit a été acheté.

Outils nécessaires, mais sans s'y limiter : tournevis à tête plate, tournevis cruciforme, jeu de douilles, pinces, coupe-fils.



# LISTES DES PIÈCES

## POWERDRIVE 70

### POUSSÉE DE 70 LB - 24 VOLTS - ARBRE 54/60 PO

ART.	QTÈ	NUMÉRO DE PIÈCE	DESCRIPTION
1	1	2-100-119	ASSEMBLAGE DE BRAS 24V
2	1	140-010	ROULEMENT À BILLES
3	1	788-015	ANNEAU DE RETENUE
4	1	2-200-005	ENSEMBLE BOÎTIER CENTRAL
5	1	421-065	ENSEMBLE - EXTRÉMITÉ BISEAUTÉE DU BOÎTIER
	1	9421-168	ENSEMBLE - EXTRÉMITÉ BISEAUTÉE DU BOÎTIER
6	1	2-400-101	ENSEMBLE EXTRÉMITÉ PLATE DU BOÎTIER
7	1	144-049	PALIER – BRIDE (SERVICE UNIQUEMENT)
8	1	880-003	JOINT
9	1	880-006	JOINT AVEC PROTECTEUR
10	2	188-037	ENSEMBLE BROSSE
11	1	725-050	RÉTENTION DE LA BROSSE
12	1	738-036	ENSEMBLE PLAQUE DE BROSSE AVEC PORTE
■	1	2307314	FERRITE BEAD
13	2	975-040	RESSORT - TORSION
14	1	337-036	JOINT D'ÉTANCHÉITÉ
15	2	701-008	BOULON TRAVERSANT
16	1	701-081	JOINT TORIQUE
17	2	830-007	VIS - 8-32
18	2	830-008	BOULON TRAVERSANT 10-32X8.83
19	1	990-067	RONDELLE BUTÉE D'ACIER
20	2	990-070	RONDELLE – NYLATRON
21	1	2096051	ENSEMBLE MOTEUR 54"
	1	2096032	ENSEMBLE MOTEUR US2
	1	2106036	ENSEMBLE MOTEUR US2
	1	2106045	ENSEMBLE MOTEUR US2
25	1	2032076	TUBE-CARBON 54"
	1	2032074	TUBE-CARBON 48"
■	1	1378131	ENSEMBLE HÉLICE
26	1	2091160	HÉLICE
27	1	2151726	RONDELLE-5/16 SS
28	1	2053101	ÉCROU NYLOC
29	1	2092600	ERGOT-ENTRAÎNEMENT
30	1	2301545	COLLET
31	1	2303434	VIS - 8-32X5/8 MACH
32	1	2303112	ÉCROU 8-32 NYLOC SS
33	1	2301936	EXTRUSION DE BASE, USINÉE
34	1	2303932	SUPPORT DE MOTEUR-DROITE 3-5/8
35	1	2303937	SUPPORT DE MOTEUR-GAUCHE 3-5/8
36	4	2303430	VIS 1/4-20X5/8
37	1	2771826	BOÎTIER D'ENTRAÎNEMENT ENSEMBLE
■	1	2882011	DOUILLE ENSEMBLE (INCLUDES 39-42)
*39	1	2302010	BOÎTIER D'ENTRAÎNEMENT
*40	2	2307304	DOUILLE – INFÉRIEURE
*41	2	2307305	DOUILLE – SUPÉRIEURE
*42	1	2304603	BOULON TRAVERSANT
43	1	2307050	BOÎTIER D'ENTRAÎNEMENT
44	1	2307201	VERROUILLAGE POIGNÉE

ART.	QTÈ	NUMÉRO DE PIÈCE	DESCRIPTION
45	1	2302750	RESSORT, TIGE DE VERROUILLAGE
46	1	2302627	CYLINDRE À CLOUS ZINC
46A	6	2303407	VIS - BOÎTIER D'ENTRAÎNEMENT
47	1	2305564	AUTOCOLLANT
48	4	2305110	PAD DE PIVOT
49	2	2305103	PAD DE PIVOT - NOUVEAU
50	1	2300500	AXE DE VERROUILLAGE
51	1	2300510	TOURILLON
52	4	2013100	ÉCROU-VITESSE
53	1	2303612	BARRE DÉVERROUILLAGE
54	1	2322700	RESSORT DE LA POIGNÉE DE DÉBLOCAGE
55	1	2303710	LEVIER DE DÉVERROUILLAGE
56	1	2300101	POIGNÉE DE DÉVERROUILLAGE
57	1	2301700	DOUILLE
58	1	2303430	VIS-1/4-20 X 5/8
59	1	2031522	COLLET
60	1	2011365	VIS-COLLET
60A	1	2323104	ÉCROU
61	1	2304065	ENSEMBLE TABLEAU DE CONTRÔLE
61A	1	2320208	BOUCHON PROTECTEUR
62	1	2355410	GAINÉ RÉTRACTABLE 3/8 ODX2
64	3	2303434	VIS-8-32 X 5/8
65	1	2090651	FIL CONDUCTEUR
65A	1	2307310	PERLE-FERRITE
66	2	2020700	BAGUE BORNE
67	1	2321310	DÉCHARGE DE TRACTION - SUPPORT
68	1	2323405	VIS-1/4-20 X 5/8
69	1	2306555	CENTRE DE LOGEMENT
70	1	2074071	JAUGE DE BATTERIE
71	1	2316605	DÉCALQUE, JAUGE DE BATTERIE
72	1	2302935	DÉCHARGE DE TRACTION
73	1	2303960	PLAQUE LATÉRALE - DROITE
74	1	2303965	PLAQUE LATÉRALE - GAUCHE
75	4	2303430	VIS-1/4-20 X 5/8
76	1	2302515	BOÎTE DE COMMANDE
77	1	2991283	ASSEMBLAGE DE BOBINE 48"/54"
	1	2991284	ASSEMBLAGE DE BOBINE 60"
77A	1	2307313	PERLE-FERRITE
77B	1	2320715	ADAPTATEUR
77C	1	2320710	BORNE D'INTENSITÉ (TABLEAU T)
78	3	2065400	FIL ISOLATEUR, LARGEUR
79	1	2256300	ATTACHE – 5,5 PO NOIRE
80	1	2224702	CONNECTEUR
	1	2224700	CONNECTEUR US2
81	1	2211415	RALLONGE DE CÂBLE US2
81A	1	2218200	PORTE-FUSIBLE US2 MOTEURS

ART.	QTÈ	NUMÉRO DE PIÈCE	DESCRIPTION
82	1	2033400	VIS-10-24 X 1-3/4
83	1	2013110	ÉCROU-HEX 10-24 ZCP
86	1	2300237	CONTROL BOX COVER-POWERDRIVE
89	1	2315685	AUTOCOLLANT – COUVERCLE
	1	2315688	AUTOCOLLANT – COUVERCLE
90	4	2012100	VIS-8-18 X 5/8 THD
■	1	2994725	ENSEMBLE PÉDALE
91	1	2304505	BASE DE PÉDALE
92	1	2308501	WEAR PLATE PÉDALE
93	1	2300255	PÉDALE
94	1	2303723	BOUTON, PROVISoire
95	1	2303722	BOUTON, MOM/CON
96	3	2302730	RESSORT-SUPÉRIEUR
98	1	2302732	RESSORT-INFÉRIEURE
99	1	2304052	PÉDALE TABLEAU DE CONTRÔLE
99A	1	2320207	BOUCHON COUVERCLE
100	1	2308620	GLISSIÈRE VITESSE
101	1	2308409	MAGNÉTIQUE, 1/4 X 1/4
102	1	2778408	MAGNÉTIQUE, 1/4 X 1/8
103	1	2300252	COUVERCLE COMMANDE DE VITESSE
104	1	2308606	MANETTE DOUBLE
105	1	2308608	MANETTE SINGLE
106	1	2307900	ROUE VITESSE
107	1	2308625	COMMUTATEUR GOUVERNAIL
108	9	2302100	VIS-6-20 X 1/2
109	4	2372103	VIS-6-20 X 3/8
110	1	2316600	AUTOCOLLANT MARCHÉ/ARRÊT
112	1	2994859	ENSEMBLE SAC
113	1	2302907	DÉCHARGE DE TRACTION
■	1	2994864	ENSEMBLE SAC
*114	6	2263462	BOULON DE MONTAGE
*116	6	2261713	RONDELLE-1/4
*117	6	2263103	ÉCROU NYLOC 1/4-20
*118	6	2301720	RONDELLE
■	1	2888460	ENSEMBLE JOINT TORIQUE ET JOINT
119	1	2335400	GAINÉ RÉTRACTABLE
120	1	2375400	GAINÉ RÉTRACTABLE
121	1	2325401	GAINÉ RÉTRACTABLE
122	1	640-316	CÂBLE DE LIAISON MARRON 71"
	1	640-317	CÂBLE DE LIAISON MARRON 86"

■ CET ARTICLE NE FAIT PARTIE D'AUCUN ENSEMBLE.  
\*CET ARTICLE FAIT PARTIE D'UN ENSEMBLE ET EST SEULEMENT ÉNUMÉRÉ À DES FINS D'ILLUSTRATION.

# DÉCLARATION DE CONFORMITÉ

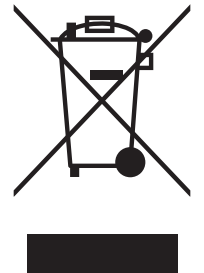
## DÉCLARATION DE CONFORMITÉ ENVIRONNEMENTALE

Il est dans l'intention de JOME d'être une entreprise citoyenne responsable, dont l'exploitation est conforme à la réglementation environnementale en vigueur et qui est connue pour être un bon voisin dans les collectivités où nous fabriquons ou vendons nos produits.

### DIRECTIVE DEEE:

La directive européenne 2002/96/CE « Directive concernant les déchets d'équipements électriques et électroniques (DEEE) » a un impact sur la plupart des distributeurs, vendeurs et fabricants d'électronique pour le grand public au sein de l'Union européenne. La directive DEEE exige que le producteur d'électronique pour le grand public prenne une part de responsabilité, en ce qui concerne la gestion des déchets de leurs produits, afin d'atteindre une élimination écologique, et ce, tout au long du cycle de vie du produit.

Il se peut que, selon votre emplacement, vous ne soyez pas tenu (e) de vous conformer à la directive DEEE pour ce qui est des équipements électriques et électroniques (EEE), et il se peut qu'il en soit de même pour les EEE conçus et destinés à être utilisés comme installations fixes ou temporaires dans les véhicules de transport tels que les voitures, les avions et les bateaux. Dans certains États de l'Union européenne, ces véhicules sont réputés ne pas relever de la directive, et les EEE, pour ces applications peuvent être considérés comme exclus de l'exigence de la directive DEEE.



Ce symbole (DEEE poubelle sur roues) sur le produit indique que ce dernier ne doit pas être jeté avec les déchets domestiques. Il doit être éliminé et collecté pour le recyclage et la récupération des DEEE. Johnson Outdoors Inc. marquera tous les produits EEE en conformité avec la directive DEEE. C'est notre but de nous conformer à la collecte, au traitement, à la récupération et à l'élimination écologique judicieuse de ces produits, mais ces exigences varient au sein des différents États membres de l'Union européenne. Pour de l'information supplémentaire sur l'endroit où vous pouvez éliminer les équipements usagés pour leur recyclage et leur récupération et/ou ou selon les exigences particulières de l'État membre de l'Union européenne, veuillez communiquer avec le détaillant ou le distributeur duquel vous avez acheté le produit.

### ÉLIMINATION:

Les moteurs Minn Kota ne sont pas soumis à la réglementation concernant l'élimination VGE-VO (directive pour les dispositifs électriques), qui transpose la directive DEEE. Néanmoins, ne jamais jeter le moteur Minn Kota dans une poubelle, mais plutôt à l'endroit approprié où s'effectue la collecte, recommandé par le conseil municipal local.

Ne jamais jeter aucune batterie à la poubelle. Se conformer aux directives d'élimination du fabricant ou de son représentant et la jeter à l'endroit approprié où s'effectue la collecte, recommandé par le conseil municipal local.

**AVERTISSEMENT: Ce produit contient des produits chimiques reconnus par l'État de la Californie comme causant le cancer, des anomalies congénitales ou d'autres effets nocifs sur la reproduction.**



# ACCESSOIRES RECOMMANDÉS

## CHARGEURS DE BATTERIE EMBARQUÉS ET PORTATIFS

**Ne plus acheter de nouvelles batteries et commencer à prendre soin de celles déjà en votre possession.** Plusieurs chargeurs peuvent en fait endommager les batteries à la longue, pouvant entraîner une autonomie réduite et une durée de vie plus courte. Les chargeurs Minn Kota à commande numérique assurent une charge rapide pour une protection et une durée de vie prolongée.



MK345PC



MK210D



MK110P

## ANCRE POUR EAUX PEU PROFONDES TALON

Les ancres Talon se déploient rapidement, ont une force de retenue plus élevée et sont plus silencieuses que tout autre ancre pour eaux peu profondes. Offerts en profondeurs allant jusqu'à 12 pi (3,66 m) et en options de couleurs vives, elles comportent plusieurs fonctionnalités et innovations uniques dans le domaine:



- Déploiement Vertical en Plusieurs Étapes
- Modes D'ancrage Pouvant être Sélectionnés par L'utilisateur
- 2x la Force d'ancrage
- Déploiement Rapide
- Descente/Montée Automatique
- Triple Protection Contre les Débris
- Amortisseur Automatique de Vague Intégré
- Dissipation de Bruit
- Réglages Polyvalents

## ACCESSOIRES MINN KOTA

Nous offrons un large éventail d'accessoires pour les propulseurs électriques, y compris:



- Un Disjoncteur de 60 A
- Des Supports de Montage
- Des Ensembles Stabilisateur
- Des Rallonges de Poignée
- Des connecteurs de batterie
- Bacs à Batterie
- Des fiches de connexion rapide

**Pour la liste complète des accessoires Minn Kota, veuillez visiter le site Web [minnkotamotors.com](http://minnkotamotors.com)**

Suivez-nous:



[minnkotamotors.com](http://minnkotamotors.com)

Minn Kota Consumer & Technical Service  
Johnson Outdoors Marine Electronics, Inc.  
PO Box 8129  
Mankato, MN 56001

121 Power Drive  
Mankato, MN 56001  
Phone (800) 227-6433  
Fax (800) 527-4464



©2015 Johnson Outdoors Marine Electronics, Inc.  
All rights reserved.