

ICB213 Wireless Bluetooth Speaker with Clock

IMPORTANT SAFETY INSTRUCTIONS

1. Read these Instructions.
2. Keep these Instructions.
3. Heed all Warnings.
4. Follow all instructions.
5. Do not use this apparatus near water.
6. Clean only with a dry cloth.
7. Do not block any ventilation openings. Install in accordance with the manufacturer's instructions.
8. Do not install near any heat sources such as radiators, heat registers, stoves, or other apparatus (including amplifiers) that produce heat.
9. Do not defeat the safety purpose of the polarized or grounding-type plug. A polarized plug has two blades with one wider than the other. A grounding type plug has two blades and a third grounding prong. The wide blade or the third prong are provided for your safety. When the provided plug does not fit into your outlet, consult an electrician for replacement of the obsolete outlet.
10. Protect the power cord from being walked on or pinched particularly at plugs, convenience receptacles, and the point where they exit from the apparatus.
11. Only use attachments/accessories specified by the manufacturer.
12. Use only with a cart, stand, tripod, bracket, or table specified by the manufacturer, or sold with the apparatus. When a cart is used, use caution when moving the cart/apparatus combination to avoid injury from tip-over. Unplug this apparatus during lightning storms or when unused for long periods of time.
13. Refer all servicing to qualified service personnel. Servicing is required when the apparatus has been damaged in any way, such as power-supply cord or plug is damaged, liquid has been spilled or objects have fallen into the apparatus, the apparatus has been exposed to rain or moisture, does not operate normally, or has been dropped.



FCC Warnings

Warning: Changes or modifications to this unit not expressly approved by the party responsible for compliance could void the user's authority to operate the equipment.

NOTE: This equipment has been tested and found to comply with the limits for a Class B digital device, pursuant to Part 15 of the FCC Rules. These limits are designed to provide reasonable protection against harmful interference in a residential installation. This equipment generates, uses, and can radiate radio frequency energy and, if not installed and used in accordance with the instructions, may cause harmful interference to radio communications. However, there is no guarantee that interference will not occur in a particular installation. If this equipment does cause harmful interference to radio or television reception, which can be determined by turning the equipment off and on, the user is encouraged to try to correct the interference by one or more of the following measures:

- Reorient or relocate the receiving antenna.
- Increase the separation between the equipment and receiver.
- Connect the equipment into an outlet on a circuit different from that to which the receiver is connected.
- Consult the dealer or an experienced radio/TV technician for help.

Additional Warnings

- The apparatus shall not be exposed to dripping or splashing and that no objects filled with liquids, such as vases, shall be placed on apparatus.
L'appareil ne doit pas être exposé aux écoulements ou aux éclaboussures et aucun objet ne contenant de liquide, tel qu'un vase, ne doit être placé sur l'objet.
- Main plug is used as disconnect device and it should remain readily operable during intended use. In order to disconnect the apparatus from the mains completely, the mains plug should be disconnected from the mains socket outlet completely.
La prise du secteur ne doit pas être obstruée ou doit être facilement accessible pendant son utilisation. Pour être complètement déconnecté de l'alimentation d'entrée, la prise doit être débranchée du secteur.
- Battery shall not be exposed to excessive heat such as sunshine, fire or the like.
Les piles ne doivent pas être exposées à de forte chaleur, tel qu'à la lumière du soleil, au feu ou autres choses de semblable.
- Caution marking is located at the rear or bottom of the apparatus.
Attention marquage est situé sur le panneau arrière ou inférieur de l'unité.
- The marking information is located at the rear or bottom of apparatus.
Le marquage est situé sur le panneau arrière ou inférieur de l'unité.

WARNINGS AND PRECAUTIONS

- **CAUTION:** TO PREVENT ELECTRIC SHOCK, MATCH WIDE BLADE OF PLUG TO WIDE SLOT, FULLY INSERT.
- **WARNING:** To reduce the risk of fire or electric shock, do not expose this apparatus to rain or moisture.
- **AVERTISSEMENT:** Pour réduire le risque d'incendie ou de choc électrique, ne pas exposer cet appareil sous la pluie et l'humidité.
- **CAUTION:** Use of controls or adjustments or performance of procedures other than those specified may result in hazardous radiation exposure.
- **WARNING:** Changes or modifications to this unit not expressly approved by the party responsible for compliance could void the user's authority to operate the equipment.
- **WARNING:** Do not place the unit on top of any soft, porous, or sensitive surfaces to avoid damaging the surface. Use a protective barrier between the unit and surface to protect the surface.
- **WARNING:** Use of this unit near fluorescent lighting may cause interference regarding use of the remote. If the unit is displaying erratic behavior move away from any fluorescent lighting, as it may be the cause.
- **CAUTION:** Danger of explosion if battery is incorrectly replaced. Replace only with the same or equivalent type.
Remplacer les piles seulement par le même type de pile ou l'équivalent.
- **WARNING:** There is a danger of explosion if you attempt to charge standard Alkaline batteries in the unit. Only use rechargeable NiMH batteries.
- **WARNING:** The remote control's button cell battery contains mercury. Do not put in the trash, instead recycle or dispose of as hazardous waste
- **WARNING:** Lithium batteries, like all rechargeable batteries are recyclable and should be recycled or disposed of in normal household waste. Contact your local government for disposal or recycling practices in your area. They should never be incinerated since they might explode.
- **WARNING:** Shock hazard - Do Not Open.
- **AVIS: RISQUE DE CHOC ÉLECTRIQUE - NE PAS OUVRIR**



WARNING: TO REDUCE THE RISK OF ELECTRIC SHOCK, DO NOT REMOVE COVER (OR BACK). NO USER-SERVICEABLE PARTS INSIDE. REFER SERVICING TO QUALIFIED SERVICE PERSONNEL.



The lightning flash with arrowhead symbol, within an equilateral triangle, is intended to alert the user to the presence of uninsulated "dangerous voltage" within the product's enclosure that may be of sufficient magnitude to constitute a risk of electric shock to persons.



The exclamation point within an equilateral triangle is intended to alert the user to the presence of important operating and maintenance (servicing) instructions in the literature accompanying the appliance.



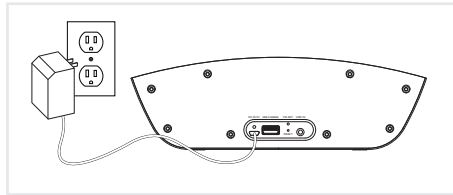
This symbol indicates that this product incorporates double insulation between hazardous mains voltage and user accessible parts.

Introduction and Setup

Power

Plug one end of the included USB charging cable and adapter into the **DC POWER INPUT** on the unit and an AC power outlet to power the dock.

Initial Charge time ~5 hrs



Charging

Charging a Device

1. Make sure the unit is plugged into the wall.
2. Using the appropriate USB charging cable (not included), connect one end to the device and the other to the **USB Charging Port** on the unit.

Refer to the user's manual for your specific device for manufacturers required charging amperage as well as determining the appropriate cable for your device before charging.

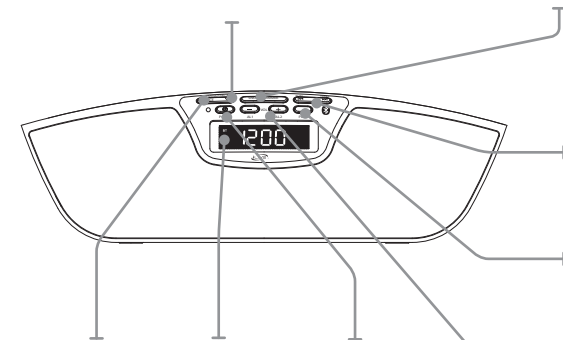
3. The device will now charge.
- Refer to the user's manual for your specific device for manufacturers required charging amperage as well as determining the appropriate cable for your device before charging.

Clock Set/Mem/Play/Pause/Speakerphone

In off mode, press to set the clock.
In FM Radio mode, press and hold to begin saving the current radio station as a preset. Press to play or pause a connected Bluetooth device.
Press to answer or end a call.

Snooze/Dimmer

In on mode, press timer to set the sleep timer.
Press to delay the alarm when it sounds.
Press and hold to adjust the brightness of the display.



Source
Press to switch between FM Radio, Bluetooth and Line In modes.

Pair Indicator

Power
Press to turn the unit on or off.

Tuning +/-
Press to tune the radio in FM Radio Mode.
Press and hold to search for the next available frequency.

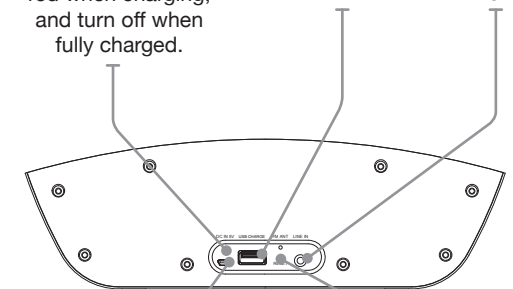
Pair
Press to begin pairing a Bluetooth device.

Volume/ Alarm 1/Alarm 2
Press to adjust the volume. In off mode, press and hold to activate or de-activate Alarm 1 and/or Alarm 2.

Battery Indicator
The indicator will flash red when charging, and turn off when fully charged.

USB Charging Port

Line In



DC Power Input

Reset

Clock and Sleep Timer

Setting the Clock

1. If powered on, press the **Power** button to turn the unit off.
2. Press the **Clock Set** button.
3. Press the **Tuning+/-** buttons to adjust the hour.
The PM indicator will light when the hour is set in the PM.
4. Press the **Clock Set** button.
5. Press the **Tuning+/-** buttons to adjust the minute.
6. Press the **Clock Set** button again to finish setting the time.

Setting the Sleep Timer

1. Power on the unit by pressing the **Power** button.
2. Press the **Snooze/Dimmer** button repeatedly to set the sleep timer (90, 80,70.... or OFF).
3. Once the set sleep time has expired the clock radio will automatically power off.

Alarm

Setting the Alarm

1. Press the **Power** button to turn the unit off.
2. Press the **AI1** or **AI2** button.
3. Press the **AI1** or **AI2** button if the source doesn't need to be adjusted.
4. If the source needs to be adjusted, press the **Source** button repeatedly to select a source, then press the **AI1** or **AI2** button.
Choose between Alarm and Radio
5. Press the **Tun+/-** button to adjust the hour.
The PM indicator will light when the hour is set in the PM.
6. Press the **AI 1** or **AI 2** button.
7. Press the **Tun+/-** button to adjust the minute.
8. Press the **AI 1** or **AI 2** button.
9. Press the **Tun+/-** button to adjust the volume.
10. Press the **AI 1** or **AI 2** button to finish setting the time.
11. Once the set alarm time is reached, the alarm will sound.

To set the other alarm, follow the above steps and choose the alarm not currently set.

Cancelling the Alarm

1. Follow the instructions for [Setting the Alarm](#).
2. Press and hold the **AI 1** or **AI 2** button until the indicator is no longer lit.

Snooze and Alarm Reset

After the alarm sounds:

Press the **Snooze** button to delay the alarm for several minutes.

OR

Press the **Power** button to turn the alarm off until the set alarm time is reached again.

Radio

Tuning the FM Radio

1. Power on the unit by pressing the **Power** button.
2. Press the **Source** button to switch to FM Radio mode.
3. Press the **Tun+** and **Tun-** buttons to adjust the radio to the desired frequency.
4. Press and hold the **Tun+** and **Tun-** buttons to search for the next available frequency.
5. Press the **Vol+/-** buttons to adjust the volume.
6. Turn the radio off by pressing the **Power** button.

Saving a Station as a Preset

1. Follow the instructions for [Tuning the FM Radio](#).
2. Tune to the desired station.
3. Press and hold the **Mem** button.
4. Press the **Tun+/-** buttons to choose the preset number.
5. Press the **Mem** button to save the station as a preset.

Up to 20 stations may be saved as presets.

Tuning to a Preset Radio Station

1. Follow the instructions for [Tuning the Radio](#) and [Saving a Station as a Preset](#).
2. Press the **Mem** button.
3. Press the **Tun+** and **Tun-** buttons to cycle through preset radio stations.

Radio Reception

Adjust the position of the **FM Antenna** to improve FM radio reception.

Line In

Using the Line In

Requires a 3.5mm audio cable (included)

1. Connect the 3.5mm audio cable to the **Line In** on the unit and an audio output on an MP3 player or other audio source.
2. Press the **Source** button to switch to Line In mode.
3. Use the native controls on the connected MP3 player or other audio source to play and control audio played through the clock radio.



Bluetooth Setup

Pairing a Bluetooth Device for the First Time

1. Power on the unit by pressing the **Power** button.
2. Press the **Source** button to switch to Bluetooth mode.

Bluetooth mode is indicated by "BT" on the display.

The pair indicator will flash blue slowly.

3. Press the **Pair** button until pair indicator flashes blue quickly.

When pairing, remain within 3 feet of the unit.

4. Using the native controls on your Bluetooth device, select the "ICB213" in your Bluetooth settings to pair.

If your device requests a password, enter the default password "0000".

Refer to the user's manual for your specific device for instructions on pairing and connecting Bluetooth devices.

5. When successfully paired and connected, the pair indicator will remain solid blue.

After initial pairing, the unit will stay paired unless unpaired manually by the user or erased due to a reset of the device.

If your device should become unpaired or you find it is unable to connect, repeat the above steps.

Playing Audio Wirelessly

1. Follow the instructions for [Pairing a Bluetooth Device](#).
2. Use the native controls on the connected Bluetooth Device to select a track.
3. To play or pause the selected track, use the native controls on the connected Bluetooth Device or press the **Play/Pause** button.
4. Audio played through the connected Bluetooth device will now be heard through the speakers.

Using the Speakerphone

1. Follow the instructions in [Pairing a Bluetooth Device](#).
2. When a call is received, a ringtone will sound through the speakers.
3. Press the **Speakerphone** button to accept the call or accept the call with the native controls on the connected device.
4. The incoming call received through the device will now be heard through the speakers.
5. To end the call, press the **Speakerphone** button or end the call using the native controls on the connected device.

International Support

To download this User's Guide in English, Spanish, or French, or to get answers to frequently asked questions, visit the support section at: www.iLiveElectronics.com

Para descargar este Manual del Usuario en inglés, español y francés, o para obtener respuestas a preguntas frecuentes, visite la sección de apoyo en www.iLiveElectronics.com

Pour télécharger ce guide de l'utilisateur en anglais, espagnol ou français, ou pour obtenir des réponses à des questions fréquemment posées, consultez la rubrique d'assistance sur www.iLiveElectronics.com