

UNDERCABINET MUSIC SYSTEM with BLUETOOTH

User's Guide for Model No. IKBC384S v976-01



Important Safety Instructions

1. Read these Instructions.
2. Keep these Instructions.
3. Heed all Warnings.
4. Follow all instructions.
5. Do not use this apparatus near water.
6. Clean only with a dry cloth.
7. Do not block any ventilation openings. Install in accordance with the manufacturer's instructions.
8. Do not install near any heat sources such as radiators, heat registers, stoves, or other apparatus (including amplifiers) that produce heat.
9. Do not defeat the safety purpose of the polarized or grounding-type plug. A polarized plug has two blades with one wider than the other. A grounding type plug has two blades and a third grounding prong. The wide blade or the third prong are provided for your safety. When the provided plug does not fit into your outlet, consult an electrician for replacement of the obsolete outlet.
10. Protect the power cord from being walked on or pinched particularly at plugs, convenience receptacles, and the point where they exit from the apparatus.
11. Only use attachments/accessories specified by the manufacturer.
12. Unplug this apparatus during lightning storms or when unused for long periods of time.
13. Refer all servicing to qualified service personnel. Servicing is required when the apparatus has been damaged in any way, such as power-supply cord or plug is damaged, liquid has been spilled or objects have fallen into the apparatus, the apparatus has been exposed to rain or moisture, does not operate normally, or has been dropped.
14. Use only with a cart, stand, tripod, bracket, or table specified by the manufacturer, or sold with the apparatus. When a cart is used, use caution when moving the cart/apparatus combination to avoid injury from tip-over.



FCC Warnings

Warning: Changes or modifications to this unit not expressly approved by the party responsible for compliance could void the user's authority to operate the equipment.

NOTE: This equipment has been tested and found to comply with the limits for a Class B digital device, pursuant to Part 15 of the FCC Rules. These limits are designed to provide reasonable protection against harmful interference in a residential installation. This equipment generates, uses, and can radiate radio frequency energy and, if not installed and used in accordance with the instructions, may cause harmful interference to radio communications. However, there is no guarantee that interference will not occur in a particular installation. If this equipment does cause harmful interference to radio or television reception, which can be determined by turning the equipment off and on, the user is encouraged to try to correct the interference by one or more of the following measures:

- Reorient or relocate the receiving antenna.
- Increase the separation between the equipment and receiver.
- Connect the equipment into an outlet on a circuit different from that to which the receiver is connected.
- Consult the dealer or an experienced radio/TV technician for help.

Additional Warnings and Precautions

- **CAUTION:** TO PREVENT ELECTRIC SHOCK, MATCH WIDE BLADE OF PLUG TO WIDE SLOT, FULLY INSERT.
- **WARNING:** To reduce the risk of fire or electric shock, do not expose this apparatus to rain, moisture, dripping, or splashing.
- **AVIS:** Pour réduire le risque d'incendie ou de choc électrique, ne pas exposer cet appareil sous la pluie et l'humidité.
- **CAUTION:** Use of controls or adjustments or performance of procedures other than those specified may result in hazardous radiation exposure.
- **WARNING:** Changes or modifications to this unit not expressly approved by the party responsible for compliance could void the user's authority to operate the equipment.
- **WARNING:** Do not place this unit directly onto furniture surfaces with any type of soft, porous, or sensitive finish. As with any rubber compound made with oils, the feet could cause marks or staining where the feet reside. We recommend using a protective barrier such as a cloth or a piece of glass between the unit and the surface to reduce the risk of damage and/or staining.
- **WARNING:** Use of this unit near fluorescent lighting may cause interference regarding use of the remote. If the unit is displaying erratic behavior move away from any fluorescent lighting, as it may be the cause.
- **CAUTION:** Danger of explosion if battery is incorrectly replaced. Replace only with the same or equivalent type.
- **AVIS:** Danger d'explosion si les piles sont remplacées de façon incorrecte. Remplacer les piles seulement par le même type de pile ou l'équivalent.
- **WARNING:** There is a danger of explosion if you attempt to charge standard Alkaline batteries in the unit. Only use rechargeable NiMH batteries.
- **WARNING:** The remote control's button cell battery mercury. Do not put in the trash, instead recycle or dispose of as hazardous waste.
- **WARNING:** Lithium batteries, like all rechargeable batteries, are recyclable and should be recycled or disposed of in normal household waste. Contact your local government for disposal or recycling practices in your area. They should never be incinerated since they might explode.
- **WARNING:** Shock hazard - Do Not Open.
- **AVIS:** Risque de choc électrique - ne pas ouvrir
- Caution and marking information is located at the rear or bottom of the apparatus.
- **Attention et de marquage des informations est situé sur le panneau arrière ou inférieur de l'unité.**
- **Objects filled with liquids, such as vases, shall not be placed on the apparatus.**
- **Objets remplis de liquides, comme des vases, ne doivent pas être placés sur l'appareil.**
- Mains plug is used as disconnect device and it should remain readily operable during intended use. In order to disconnect the apparatus from the mains completely, the mains plug should be disconnected from the mains socket outlet completely.
- **La prise du secteur est utilisée pour déconnecter le système. La prise du secteur ne doit pas être obstruée ou doit être facilement accessible pendant son utilisation. Pour être complètement déconnecté de l'alimentation d'entrée, la prise doit être débranchée du secteur.**
- Battery shall not be exposed to excessive heat such as sunshine, fire or the like.
- **Les piles ne doivent pas être exposées à de fortes chaleurs, tel qu'à la lumière du soleil, au feu ou autres choses de semblable.**

- This product is supplied with a coin/button cell battery. If the coin/button cell battery is swallowed, it can cause severe internal burns and can lead to death.
- **Ce produit est livré avec une pile pièce / touche. Si la pile pièce / bouton est avalé, il peut causer des brûlures internes graves et peut conduire à la mort.**
- Keep new and used batteries away from children. If the battery compartment does not close securely, stop using the product and keep it away from children.
- **Gardez les piles neuves et d'occasion à partir des enfants. Si le compartiment de la batterie ne pas fermer correctement, cessez d'utiliser le produit et garder loin des enfants.**
- If you think batteries might have been swallowed or placed inside any part of the body, seek immediate medical attention.
- **Si vous pensez que les batteries peuvent avoir été avalé ou placé à l'intérieur d'une partie du corps, consultez immédiatement un médecin.**
- Do not mix old and new batteries.
- **Ne pas mélanger vieilles et nouvelles batteries.**
- Completely replace all old batteries with new ones.
- **Remplacer complètement toutes les piles par des neuves.**
- Do not mix alkaline, standard (carbon-zinc), or rechargeable (ni-cad, ni-mh, etc) batteries.
- **Ne mélangez pas des piles alcalines, standard (carbone-zinc) ou rechargeables (Ni-Cd, Ni-MH, etc) batteries.**
- Batteries should be recycled or disposed of as per state and local guidelines.
- **Piles doivent être recyclées ou éliminées selon les directives étatiques et locales.**

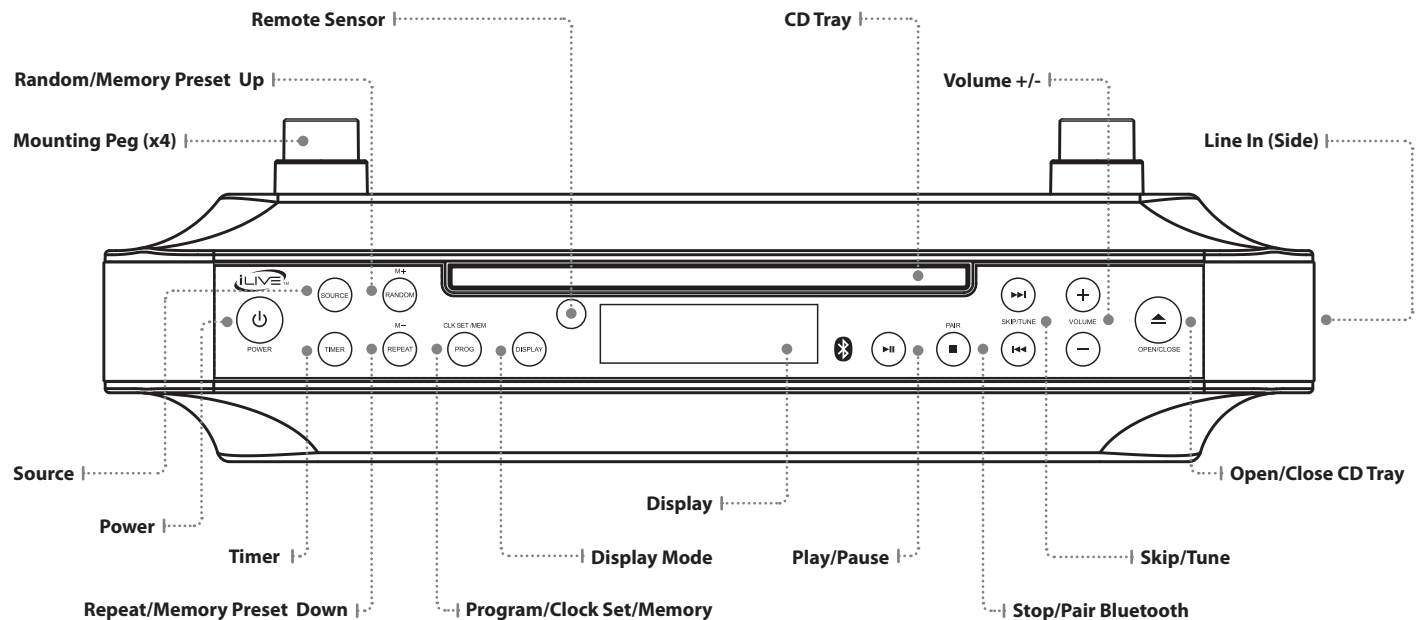


This product utilizes a Class I Laser to read Compact Discs. This Laser Compact Disc Player is equipped with safety switches to avoid exposure when the CD door is open and the safety interlocks are defeated. Invisible laser radiation is present when the CD Player's lid is open and the system's interlock has failed or been defeated. It is very important that you avoid direct exposure to the laser beam at all times. Please do not attempt to defeat or bypass the safety switches.



DO NOT INGEST BATTERY, CHEMICAL BURN HAZARD.

FEATURES AND CONTROLS

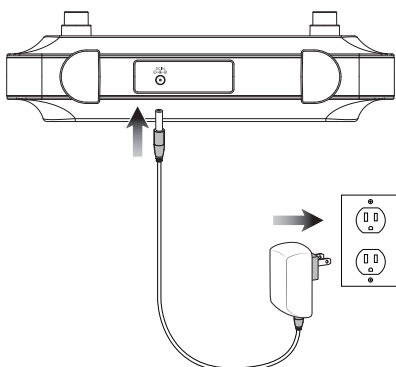
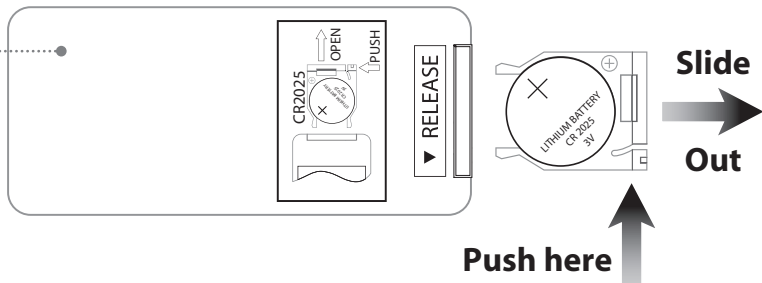


Remote

Requires one CR2025 button cell battery (included)

All of the above controls are duplicated on the unit's remote control.

The procedure for replacing the remote's CR2025 battery is also detailed on the back of the remote.



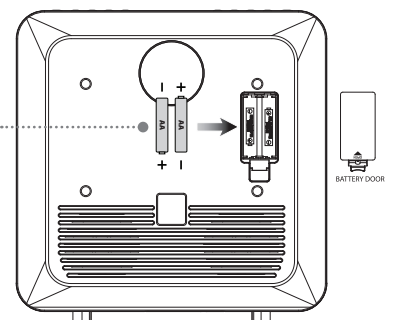
AC Power (Rear View)

To power the unit, plug the built-in AC Power cord into a standard wall outlet.

Battery Backup (Bottom View)

Requires 2, AA-size, batteries (not included).

The battery backup is intended for short power outages only. The unit's primary functions cannot run on the battery backup alone.



CLOCK AND TIMER

Setting the Clock

1. With the power off, press and hold the **Clk Set/Mem** button. *The hour on the display will begin flashing.*
2. Press the **Tune +/-** buttons to adjust the hour.
3. Press the **Clk Set** button again to adjust the minutes. *The minutes on the display will begin flashing.*
4. Press the **Tune +/-** buttons to adjust the minutes.
5. Press the **Clk Set** button to finish setting the time, or wait for the display to stop flashing.

Setting the Timer

1. With the power off, press the **Timer** button. *The display will flash.*

2. Press the **Timer** buttons to adjust the timer in increments of 10 min.
3. Press the **Tune +/-** buttons to adjust the timer in increments of 1 min.
4. Wait for the display to stop flashing.
5. After the set time has expired, the under cabinet music system will sound an alarm.

Disabling the Timer

To cancel the alarm after it has sounded, press the **Power** button.

To cancel the timer before the alarm has sounded, press the **Timer** button until the display reads 000 and the timer light is no longer lit.

CD

Note: This unit is not compatible with MP3 CDs.

Loading and Playing a CD

1. Open the **CD Door**.
2. Place a CD into the tray, label side facing up.
3. Close the **CD Door**.
4. Press the **Source** button to switch to CD mode.
5. Press the **Play/Pause** button to begin playing the loaded CD.
6. Press the **Skip/Tune** buttons to cycle through tracks.

Programming a CD

1. Press the **Stop** button to stop the CD during play.
2. Press the **Prog** button.
3. **"PROG"** will begin to blink on the display.
4. Press the **Tune +/-** buttons to select a track.
5. Press the **Program** button to save the selected track to the program.
6. Repeat steps 4 and 5 to program up to 20 tracks.

RADIO

Radio Reception

An **FM Antenna** is built into the unit. To improve FM radio reception, adjust the position of the unit.

Tuning the FM Radio

1. Press the **Power** button to turn the under cabinet music system on.
2. Press the **Source** button to switch to FM Radio Mode.
3. Press the **Tune +/-** button to tune the radio manually.
4. Hold down the **Tune +/-** button to scan for available stations.

Saving and Playing a Station as a Preset

1. Tune to the desired station.
2. Press the **Clk Set/Mem** button. *Preset number will appear on the display.*
3. Press the **M +/-** buttons to adjust to the desired preset number.
4. Press the **Clk Set/Mem** button to save the current radio station to the selected preset.
5. Press the **M +/-** buttons to cycle through preset radio stations.

BLUETOOTH AND LINE IN

Pairing a Bluetooth Device for the First Time

1. Power on the unit by pressing the **Power** button.
2. Press the **Source** button to switch to Bluetooth mode. *The Pairing Indicator will flash slowly.*
3. Press the **Pair** button. *The Pairing Indicator will flash quickly. When pairing, remain within 3 feet of the unit.*
4. Using the native controls on your Bluetooth device, select the **IKBC384** in your Bluetooth settings to pair.
5. If your device requests a password, enter the default password **0000**.
6. Refer to the user's manual for your specific device for instructions on pairing and connecting Bluetooth devices.
7. When successfully paired and connected, the Pairing Indicator will be solid.
8. After initial pairing, the unit will stay paired unless unpaired manually by the user or erased due to a reset of the device.
9. If your device should become unpaired or you find it is unable to connect, repeat the above steps or press the Pair button to start the pairing process pairing again.

Playing Audio through Bluetooth

1. After successfully pairing to a device, use the native controls on the connected Bluetooth Device to select a track.
2. To play or pause the selected track, use the native controls on the connected Bluetooth Device, or the **Play/Pause** button on the unit.
3. To skip forward or back on the selected track, use the native controls on the connected Bluetooth Device, or the **Skip/Tune +/-** buttons on the unit.
4. Audio played through the connected Bluetooth device will now be heard through the speakers.

Using the Audio Input

Requires a 3.5mm audio cable (not included).

1. Connect a 3.5mm audio cable to the **Line In Input** on the side of the unit and the **audio output** on an audio device.
2. Press the **Power** button to turn the unit on.
3. Press the **Source** button to switch to **Line In mode**.
4. Use the native controls on the connected device to play your audio through the unit.

INTERNATIONAL SUPPORT

To download this User's Guide in English, Spanish, or French, or to get answers to frequently asked questions, visit the support section at:

www.iLiveElectronics.com

Para descargar este Manual del Usuario en inglés, español y francés, o para obtener respuestas a preguntas frecuentes, visite la sección de apoyo en:

www.iLiveElectronics.com

Pour télécharger ce guide de l'utilisateur en anglais, espagnol ou français, ou pour obtenir des réponses à des questions fréquemment posées, consultez la rubrique d'assistance sur:

www.iLiveElectronics.com

For Warranty Information and the most up-to-date version of this User's Guide, go to www.iLiveElectronics.com
Customer Service: 1-888-999-4215 | Email Support: prodinfo@dpiinc.com | Email Parts: partsinfo@dpiinc.com

Copyright © 2013 Digital Products International (DPI, Inc.) All other trademarks appearing herein are the property of their respective owners. Specifications are subject to change without notice.

