

EO

TRANSOM-MOUNT ELECTRIC OUTBOARD MOTOR

USER MANUAL

CE MASTER USER MANUAL (FOR CE/C-TICK CERTIFIED MODELS)

Conforms to 89/336/EEC (EMC) under standards EN 55022A, EN 50082-2 since 1996 LN V9677264

THANK YOU

Thank you for choosing Minn Kota. We believe that you should spend more time fishing and less time positioning your boat. That's why we build the smartest, toughest, most intuitive motors on the water. Every aspect of a Minn Kota motor is thought out and rethought until it's good enough to bear our name. Countless hours of research and testing provide you the Minn Kota advantage that can truly take you "Anywhere. Anytime." We don't believe in shortcuts. We are Minn Kota. And we are never done helping you catch more fish.

REMEMBER TO KEEP YOUR RECEIPT AND IMMEDIATELY REGISTER YOUR MOTOR.

A registration card is enclosed or you can complete registration on our website at minnkotamotors.com.

NOTE: Do not return your Minn Kota motor to your retailer. Your retailer is not authorized to repair or replace this unit. You may obtain service by: calling Minn Kota at (800) 227-6433; returning your motor to the Minn Kota Factory Service Center; sending or taking your motor to any Minn Kota authorized service center. A list of authorized service centers is available on our website, at minnkotamotors.com. Please include proof of purchase, serial number and purchase date for warranty service with any of the above options.

Please thoroughly read this user manual. Follow all instructions and heed all safety and cautionary notices below. Use of this motor is only permitted for persons that have read and understood these user instructions. Minors may use this motor only under adult supervision.

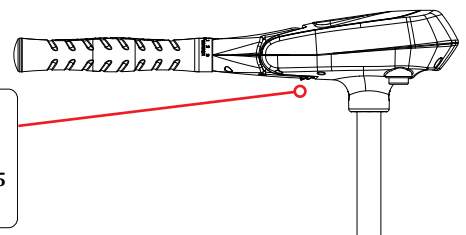
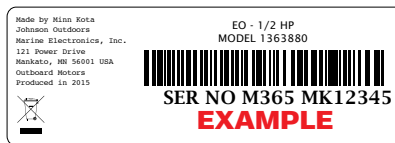
ATTENTION: Never run the motor out of the water, as this may result in injuries from the rotating propeller. The motor should be disconnected from the power source when it is not in use or is off the water. When connecting the power-supply cables of the motor to the battery, ensure that they are not kinked or subject to chafe and route them in such a way that persons cannot trip over them. Before using the motor make sure that the insulation of the power cables is not damaged. Disregarding these safety precautions may result in electric shorts of battery(s) and/or motor. Always disconnect motor from battery(s) before cleaning or checking the propeller. Avoid submerging the complete motor as water may enter the lower unit through control head and shaft. If the motor is used while water is present in the lower unit considerable damage to the motor can occur. This damage will not be covered by warranty.

CAUTION: Take care that neither you nor other persons approach the turning propeller too closely, neither with body parts nor with objects. The motor is powerful and may endanger or injure you or others. While the motor is running watch out for persons swimming and for floating objects. Persons whose ability to run the motor or whose reactions are impaired by alcohol, drugs, medication, or other substances are not permitted to use this motor. This motor is not suitable for use in strong currents. The constant noise pressure level of the motor during use is less than 70dB(A). The overall vibration level does not exceed 2,5m/sec².

LOCATING YOUR SERIAL NUMBER

Your Minn Kota 11-character serial number is very important. It helps to determine the specific model and year of manufacture. When contacting Consumer Service or registering your product, you will need to know your product's serial number. We recommend that you write the serial number down in the space provided below so that you have it available for future reference.

The serial number on your EO is located under the tiller handle.



Model: _____

Serial Number: _____

Purchase Date: _____

Store Where Purchased: _____

TABLE OF CONTENTS

Two-Year Limited Warranty	4
Features	5
Installation	6
Battery & Wiring Installation	7-8
Boat Rigging & Product Installation	7
Conductor Gauge and Circuit Breaker Sizing Table	7
Push-to-Test Battery Meter	7
Selecting the Correct Batteries	8
Connecting the Batteries	8
Motor Wiring Diagram	9
Using and Adjusting the Motor	10-11
Adjusting the Depth of the Motor	10
Adjusting the Steering	10
Adjusting the Bracket	11
Adjusting the Twist Tiller	11
Controlling Speed & Direction with the Tiller	10
Stowing the Motor	11
Service & Maintenance	12
Propeller Replacement	12
General Maintenance	12
Troubleshooting & Repair	13
Parts Diagram	14
Parts List	15
Compliance Statements	16
Notes	17

TWO-YEAR LIMITED WARRANTY

WARRANTY ON MINN KOTA EO ELECTRIC OUTBOARD MOTORS

Johnson Outdoors Marine Electronics, Inc. ("JOME") extends the following limited warranty to the original retail purchaser only. Warranty coverage is not transferable.

MINN KOTA LIMITED TWO-YEAR WARRANTY ON THE ENTIRE PRODUCT

JOME warrants to the original retail purchaser only that the purchaser's new Minn Kota primary propulsion motor will be materially free from defects in materials and workmanship appearing within two (2) years after the date of purchase. JOME will (at its option) either repair or replace, free of charge, any parts found by JOME to be defective during the term of this warranty. Such repair, or replacement shall be the sole and exclusive liability of JOME and the sole and exclusive remedy of the purchaser for breach of this warranty.

MINN KOTA LIMITED LIFETIME WARRANTY ON COMPOSITE SHAFT

JOME warrants to the original retail purchaser only that the composite shaft of the purchaser's Minn Kota motor will be materially free from defects in materials and workmanship appearing within the original purchaser's lifetime. JOME will provide a new composite shaft, free of charge, to replace any composite shaft found by JOME to be defective during the term of this warranty. Providing a new composite shaft shall be the sole and exclusive liability of JOME and the sole and exclusive remedy of the purchaser for breach of this warranty; **and purchaser shall be responsible for installing, or for the cost of labor to install, any new composite shaft provided by JOME.**

EXCLUSIONS & LIMITATIONS

This limited warranty does not apply to products that have been used commercially or for rental purposes. This limited warranty does not cover normal wear and tear, blemishes that do not affect the operation of the product, or damage caused by accidents, abuse, alteration, modification, shipping damages, acts of God, negligence of the user or misuse, improper or insufficient care or maintenance. **DAMAGE CAUSED BY THE USE OF OTHER REPLACEMENT PARTS NOT MEETING THE DESIGN SPECIFICATIONS OF THE ORIGINAL PARTS WILL NOT BE COVERED BY THIS LIMITED WARRANTY.**

The cost of normal maintenance or replacement parts which are not in breach of the limited warranty are the responsibility of the purchaser. Prior to using products, the purchaser shall determine the suitability of the products for the intended use and assumes all related risk and liability. Any assistance JOME provides to or procures for the purchaser outside the terms, limitations or exclusions of this limited warranty will not constitute a waiver of the terms, limitations or exclusions, nor will such assistance extend or revive the warranty. JOME will not reimburse the purchaser for any expenses incurred by the purchaser in repairing, correcting or replacing any defective products or parts, except those incurred with JOME's prior written permission. **JOME'S AGGREGATE LIABILITY WITH RESPECT TO COVERED PRODUCTS IS LIMITED TO AN AMOUNT EQUAL TO THE PURCHASER'S ORIGINAL PURCHASE PRICE PAID FOR SUCH PRODUCT.**

MINN KOTA SERVICE INFORMATION

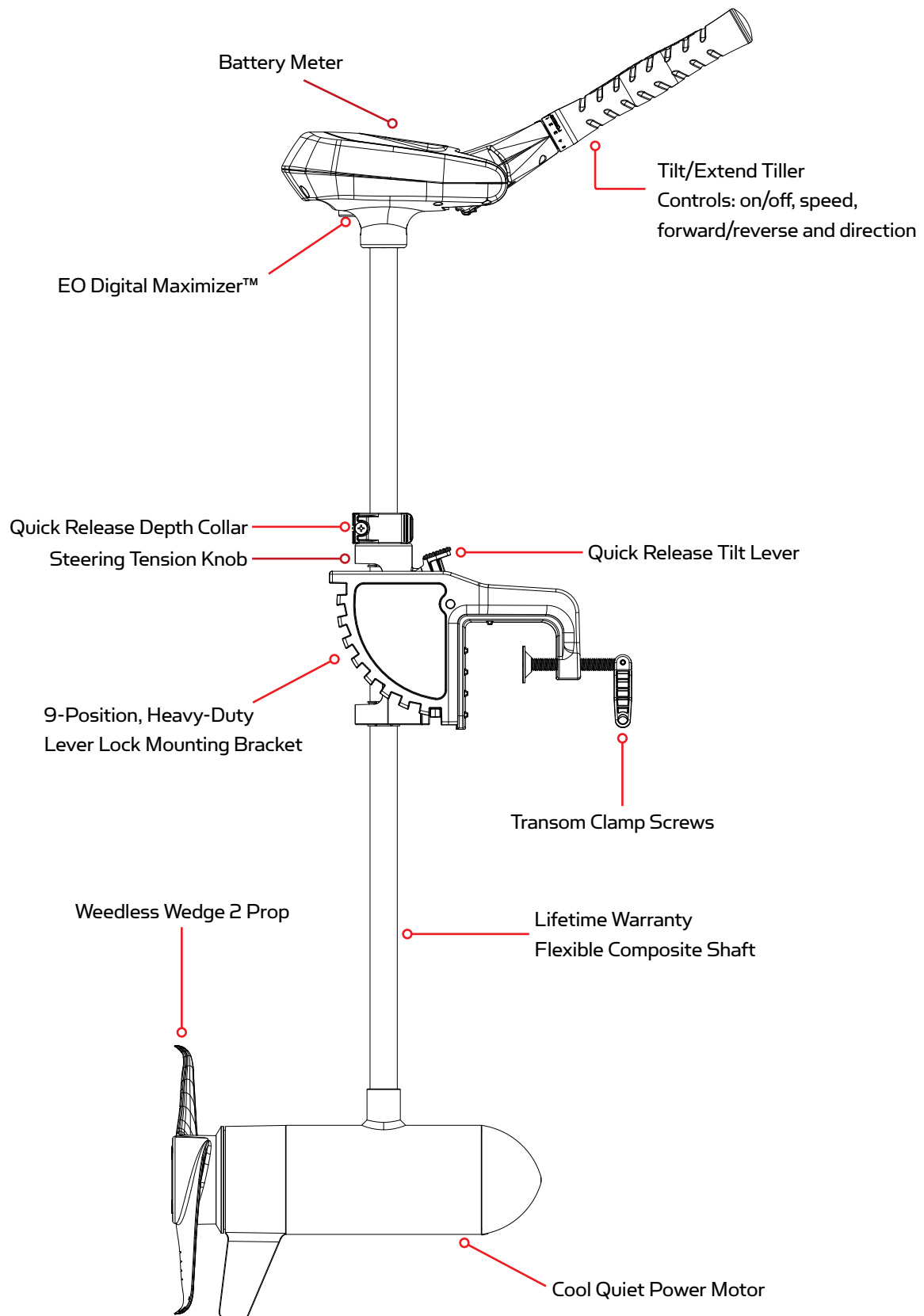
To obtain warranty service in the U.S., the product believed to be defective, and proof of original purchase (including the date of purchase), must be presented to a Minn Kota Authorized Service Center or to Minn Kota's factory service center in Mankato, MN. Any charges incurred for service calls, transportation or shipping/freight to/from the Minn Kota Authorized Service Center or factory, labor to haul out, remove, re-install or re-rig products removed for warranty service, or any other similar items are the sole and exclusive responsibility of the purchaser. Products purchased outside of the U.S. must be returned prepaid with proof of purchase (including the date of purchase and serial number) to any Authorized Minn Kota Service Center in the country of purchase. Warranty service can be arranged by contacting a Minn Kota Authorized Service Center or by contacting the factory at 1-800-227-6433 or email service@minnkotamotors.com. **Products repaired or replaced will be warranted for the remainder of the original warranty period [or for 90 days from the date of repair or replacement, whichever is longer]. For any product that is returned for warranty service that JOME finds to be not covered by or not in breach of this limited warranty, there will be a billing for services rendered at the prevailing posted labor rate and for a minimum of at least one hour.**

NOTE: Do not return your Minn Kota product to your retailer. Your retailer is not authorized to repair or replace products.

THERE ARE NO EXPRESS WARRANTIES OTHER THAN THESE LIMITED WARRANTIES. IN NO EVENT SHALL ANY IMPLIED WARRANTIES INCLUDING ANY IMPLIED WARRANTIES OF MERCHANTABILITY OR FITNESS FOR PARTICULAR PURPOSE, EXTEND BEYOND THE DURATION OF THE RELEVANT EXPRESS LIMITED WARRANTY. IN NO EVENT SHALL JOME BE LIABLE FOR PUNITIVE, INDIRECT, INCIDENTAL, CONSEQUENTIAL OR SPECIAL DAMAGES. Without limiting the foregoing, JOME assumes no responsibility for loss of use of product, loss of time, inconvenience or other damage.

Some states do not allow limitations on how long an implied warranty lasts or the exclusion or limitation of incidental or consequential damages, so the above limitations and/or exclusions may not apply to you. This warranty gives you specific legal rights and you may also have other legal rights which vary from state to state.

FEATURES



Specifications subject to change without notice.

This diagram is for reference only and may differ from your actual motor.

INSTALLATION

MOTOR INSTALLATION

1. Find a transom area of the boat that is free from obstructions.
2. Open the clamp screws on the bracket enough so that it will fit over the top of the boat transom.
3. Place the Lever Lock Mounting bracket over the top of the boat transom so that the bracket is resting on top of the transom.
4. Verify that there are no obstacles that the control box, handle, or prop might hit while in use that would restrict steering or cause damage to the motor.

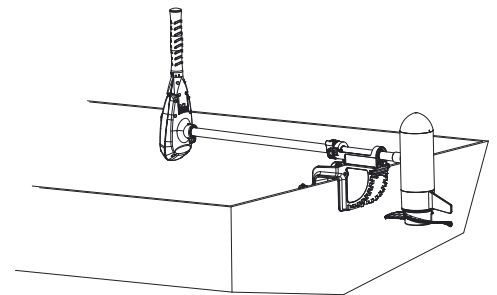
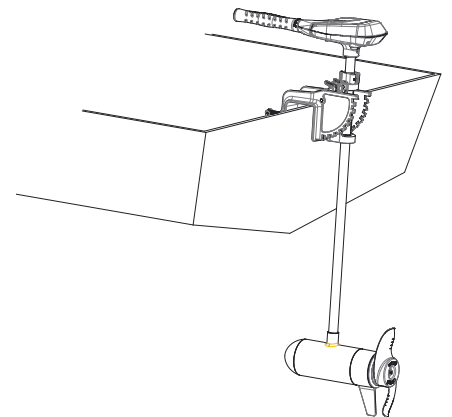
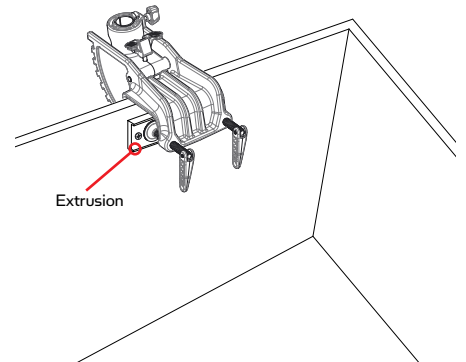
TRANSOM EXTRUSION INSTALLATION (PART NUMBER 2994844)

- a. Set the motor on transom with clamp screws backed out.
 - b. Slide extrusion between inside of transom and the clamp screw washers and tighten clamp screws.
 - c. Attach extrusion to transom with two screws provided. This will require drilling two appropriate sized pilot holes for the self tapping screws.
5. Tighten down the clamp screws to the transom by hand only. Do not use any tools to tighten the clamp screws as this may damage the bracket or your boat.
 6. We recommend the tilt angle of the motor to be adjusted so that the motor shaft is perpendicular to the water surface when the motor is in use.
 7. For transport, always tilt the motor into the boat, such that the motor and prop assembly are completely out of the water and the motor is positioned up close to the lever lock bracket.

NOTE: When setting the depth, be sure the top of the motor is submerged at least 12" to avoid churning or agitation of surface water. The propeller must be completely submerged.

CAUTION:

- **Never operate your motor when it is out of the water.**
- **Over-tightening the clamp screws can damage the bracket.**



BATTERY WIRING & INSTALLATION

BOAT RIGGING & PRODUCT INSTALLATION

For safety and compliance reasons, we recommend that you follow American Boat and Yacht Council (ABYC) standards when rigging your boat. Altering boat wiring should be completed by a qualified marine technician. The following specifications are for general guidelines only:

CAUTION: These guidelines apply to general rigging to support your Minn Kota motor. Powering multiple motors or additional electrical devices from the same power circuit may impact the recommended conductor gauge and circuit breaker size. If you are using wire longer than that provided with your unit, follow the conductor gauge and circuit breaker sizing table below. If your wire extension length is more than 25 feet, we recommend that you contact a qualified marine technician.

An over-current protection device (circuit breaker or fuse) must be used. Coast Guard requirements dictate that each ungrounded current-carrying conductor must be protected by a manually reset, trip-free circuit breaker or fuse. The type (voltage and current rating) of the fuse or circuit breaker must be sized accordingly to the trolling motor used. The table below gives recommended guidelines for circuit breaker sizing.

Reference:

United States Code of Federal Regulations: 33 CFR 183 – Boats and Associated Equipment

ABYC E-11: AC and DC Electrical Systems on Boats

CONDUCTOR GAUGE AND CIRCUIT BREAKER SIZING TABLE

Motor Thrust / Model	Max Amp Draw	Circuit Breaker	Wire Extension Length *				
			5 feet	10 feet	15 feet	20 feet	25 feet
EO 1/2 HP	52	60 Amp @ 12 VDC	6 AWG	2 AWG	1 AWG	1/0 AWG	NOT RECOMMENDED
EO 1 HP	45	50 Amp @ 24 VDC	8 AWG	6 AWG	4 AWG	2 AWG	2 AWG

This conductor and circuit breaker sizing table is only valid for the following assumptions:

1. No more than 3 conductors are bundled together inside of a sheath or conduit outside of engine spaces.
2. Each conductor has 105° C temp rated insulation.
3. No more than 27% voltage drop allowed at full motor power based on published product power requirements.

***Wire Extension Length refers to the distance from the batteries to the motor leads.**

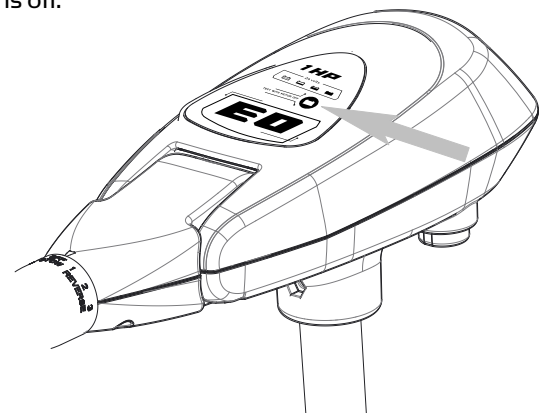
PUSH-TO-TEST BATTERY METER

This motor is equipped with a “push-to-test” battery meter. The LED light provides an accurate display of the remaining charge in the battery. It is only accurate* when the motor is off.

The meter reads as:

- One light indicates recharge.
- Two lights indicate low charge.
- Three lights indicate good charge.
- Four lights indicate full charge.

*Battery meter will not be accurate when using lithium batteries.



SELECTING THE CORRECT BATTERIES

The motor will operate with any lead acid, deep cycle marine or lithium 12 volt battery/batteries. Maintain lead acid batteries at full charge. Lithium batteries should be stored at less than full charge and only need to be fully charged before use. Proper care will ensure having battery power when you need it, and will significantly improve the battery life. Failure to recharge lead-acid batteries (within 12-24 hours) is the leading cause of premature battery failure. We offer a wide selection of lead-acid chargers to fit your charging needs. We recommend that you use separate batteries for your Minn Kota EO motor.

Advice Regarding Batteries:

- Never connect the (+) and the (-) terminals of the same battery together. Take care that no metal object can fall onto the battery and short the terminals. This would immediately lead to a short and extreme fire danger.
- It is highly recommended that a circuit breaker or fuse be used with this trolling motor. Refer to “Conductor Gauge and Circuit Breaker Sizing Table” in the previous section to find the appropriate circuit breaker or fuse for your motor. For motors requiring a 60-amp breaker, the Minn Kota MKR-19 60-amp circuit breaker is recommended.

CONNECTING THE BATTERIES

12 VOLT SYSTEMS:

1. Make sure that the motor is switched off (speed selector on “OFF” or “O”).
2. Connect positive (+) red lead to positive (+) battery terminal.
3. Connect negative (-) black lead to negative (-) battery terminal.
4. For safety reasons do not switch the motor on until the propeller is in the water.

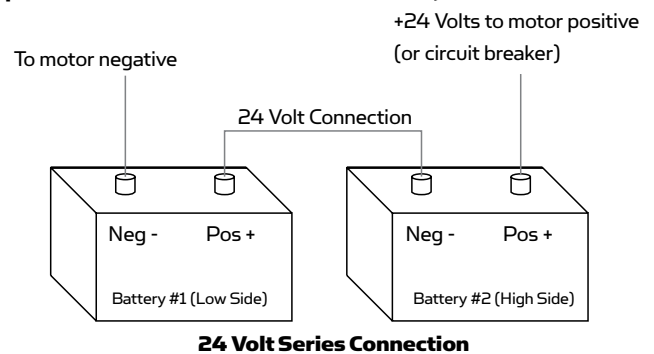
CAUTION:

For safety reasons, disconnect the motor from the battery/batteries when the motor is not in use or while the battery/batteries are being charged.

CONNECTING THE BATTERIES IN SERIES (IF REQUIRED FOR YOUR MOTOR)

24 VOLT SYSTEMS:

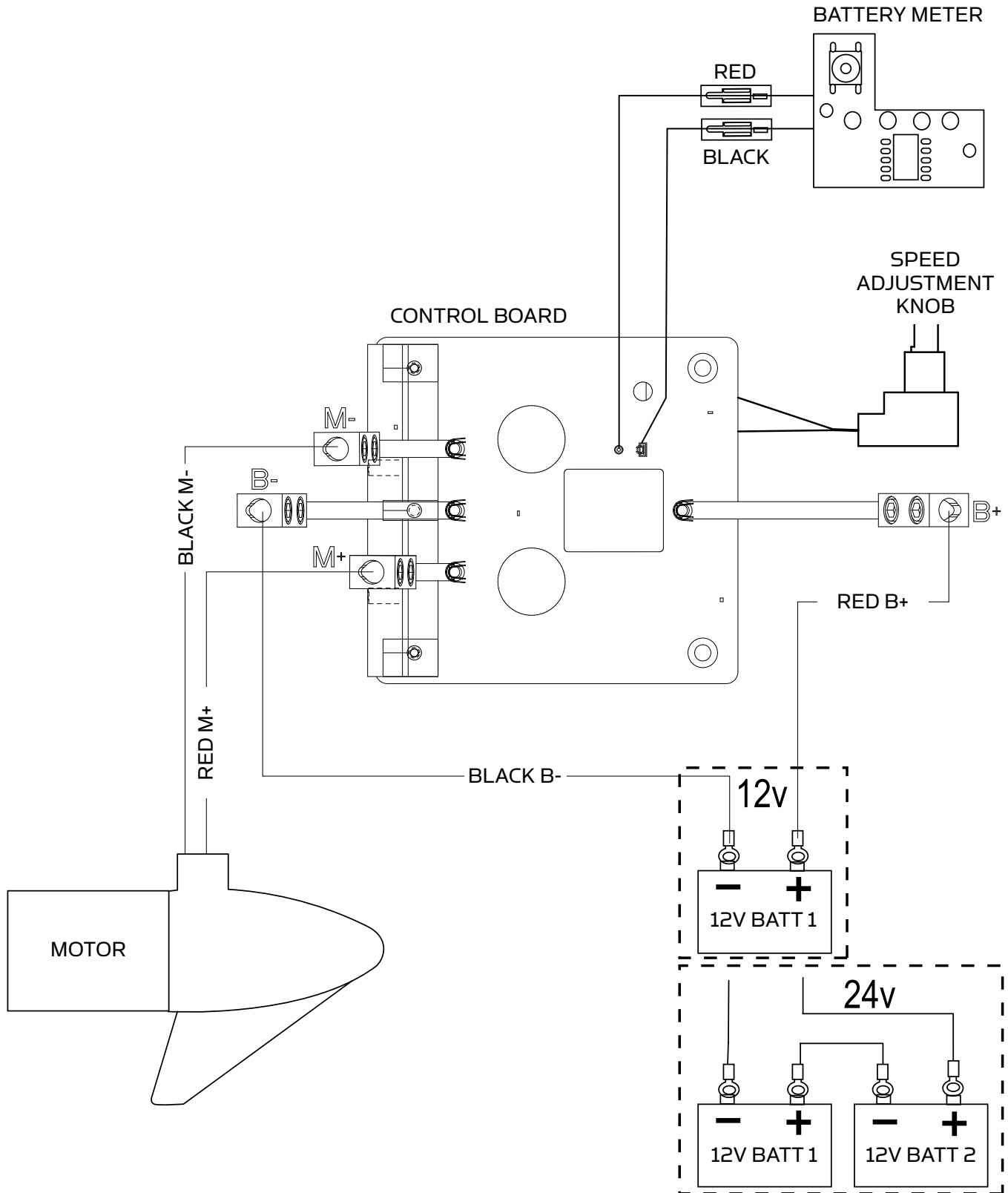
1. Make sure that the motor is switched off (speed selector on “O”).
2. Two 12 volt batteries are required.
3. The batteries must be wired in series, only as directed in wiring diagram, to provide 24 volts.
 - a. Connect a connector cable to the positive (+) terminal of battery 1 and to the negative (-) terminal of battery 2.
 - b. Connect positive (+) red motor lead to positive (+) terminal on battery 2.
 - c. Connect negative (-) black motor lead to negative (-) terminal of battery 1.
4. For safety reasons do not switch the motor on until the propeller is in the water. If installing a leadwire plug, observe proper polarity and follow instructions in your boat owner’s manual. See wiring diagram on following pages.



CAUTION

- **For safety reasons, disconnect the motor from the battery or batteries when the motor is not in use or while the battery/batteries are being charged.**
- **Improper wiring of 24/36 volt systems could cause battery explosion!**
- **Keep leadwire wing nut connections tight and solid to battery terminals.**
- **Locate battery in a ventilated compartment.**

MOTOR WIRING DIAGRAM



USING & ADJUSTING THE MOTOR

ADJUSTING THE DEPTH OF THE MOTOR

When setting the depth be sure the top of the motor is submerged at least 12" to avoid churning or agitation of surface water. The propeller must be completely submerged.

1. Firmly grasp the composite shaft and hold it steady.
2. Loosen the steering tension knob and adjustable depth collar knob until the shaft slides freely.
3. Raise or lower the motor to the desired depth.
4. Tighten adjustable depth collar knob to secure the motor in place.

CAUTION:

- **Never operate your motor when it is out of the water.**
- **Over-tightening the clamp screws can damage the bracket.**
- **Never loosen the steering tension knob without securely holding the shaft of the motor. Failing to do so will cause the motor to rapidly fall against the bracket.**

ADJUSTING THE STEERING

- Adjust the steering tension knob to provide enough tension to allow the motor to turn freely, yet remain in any position without being held

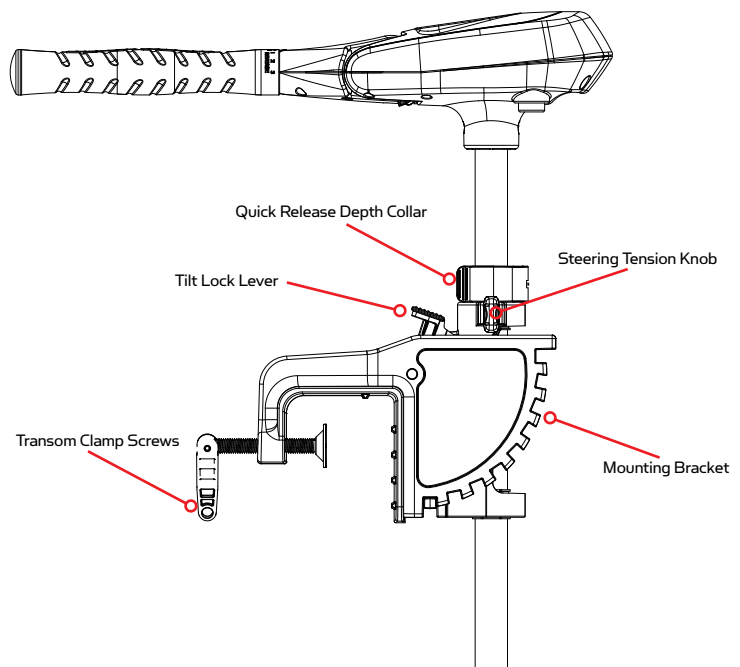
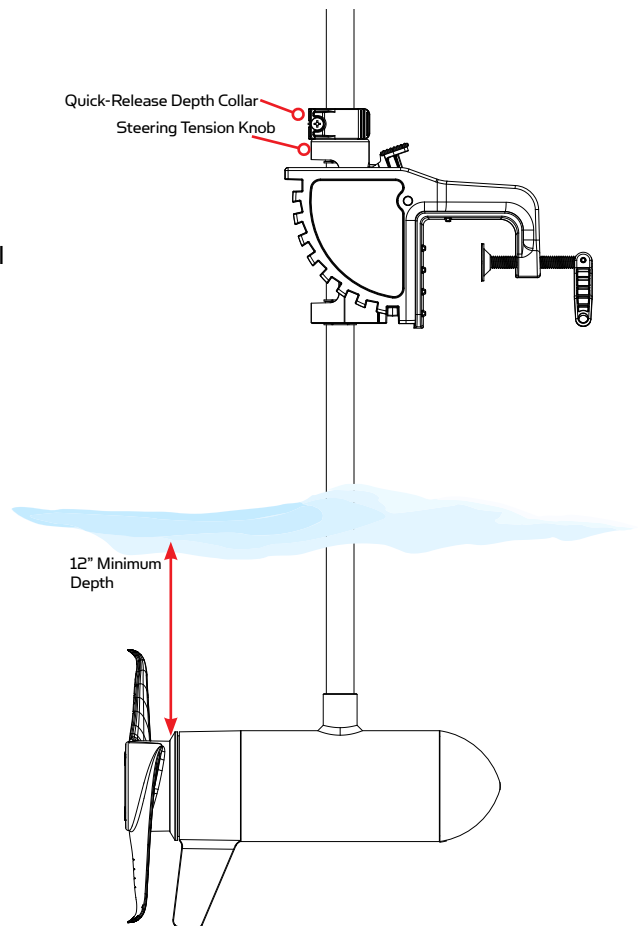
OR

- Tighten the knob to place the motor in a preset position to leave your hands free for fishing.

ADJUSTING THE BRACKET

You can lock your motor in a vertical position, angle it for shallow water or tilt it completely out of the water.

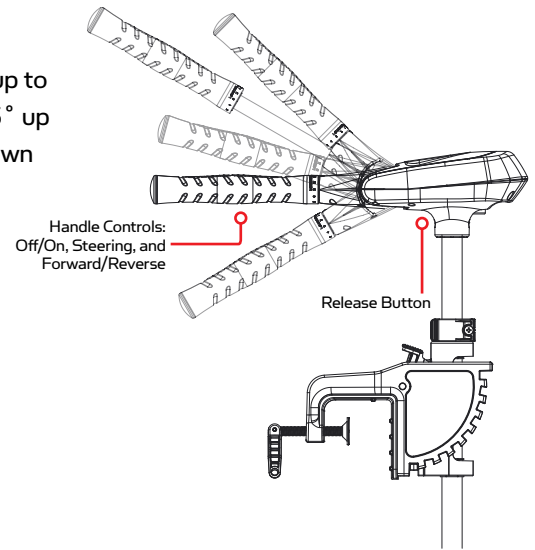
1. Firmly grasp the control head or composite shaft.
2. Press the tilt lever down towards the bracket the shaft and hold to release the T-bar to adjust the position of the mounting bracket.
3. Tilt to any of the positions on the mounting bracket.
4. Release the tilt lever.



ADJUSTING THE TILT TWIST TILLER™

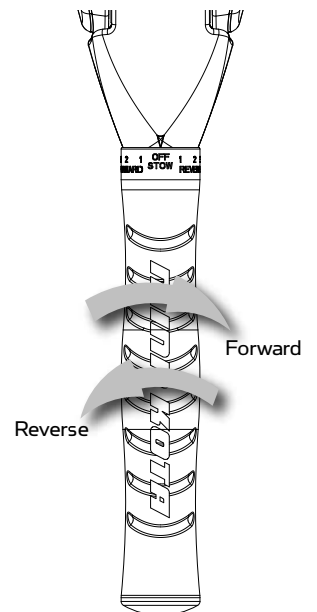
The twist grip tiller handle is shipped in the down position. Firmly pull the handle up to the horizontal position. The handle has seven available positions: 45° 30° and 15° up and down from 0°. The handle locks in the horizontal position but can be tilted down by pushing the release button located on the left underside of the handle pivot.

NOTE: BEFORE attempting to tilt the handle down, the motor speed control handle MUST be in the OFF/STOW position.



CONTROLLING SPEED & STEERING WITH THE TILLER

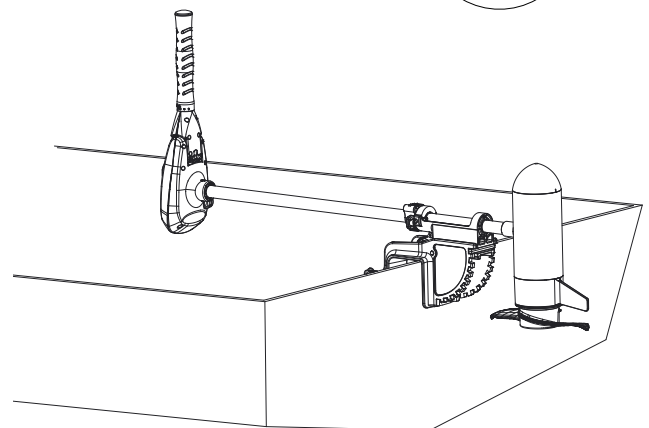
This motor offers variable forward and reverse speeds. The speed control may be operated in either direction, forward or reverse. Turn the tiller handle counterclockwise from (OFF) to increase reverse speed and clockwise from (OFF) to increase forward speed. Speed decreases as you approach (OFF) from either direction.



STOWING THE MOTOR

1. Adjust depth so that the motor is fully raised.
2. Press and hold tilt lever.
3. Tilt motor into the boat.
4. For transport, always tilt the motor into the boat such that the motor and prop assembly are completely out of the water and the motor is positioned up close to the lever lock bracket.

WARNING: When raising/lowering motor or operating the tilt mechanism, keep fingers clear of all hinge and pivot points and all moving parts.



SERVICE & MAINTENANCE

PROPELLER REPLACEMENT

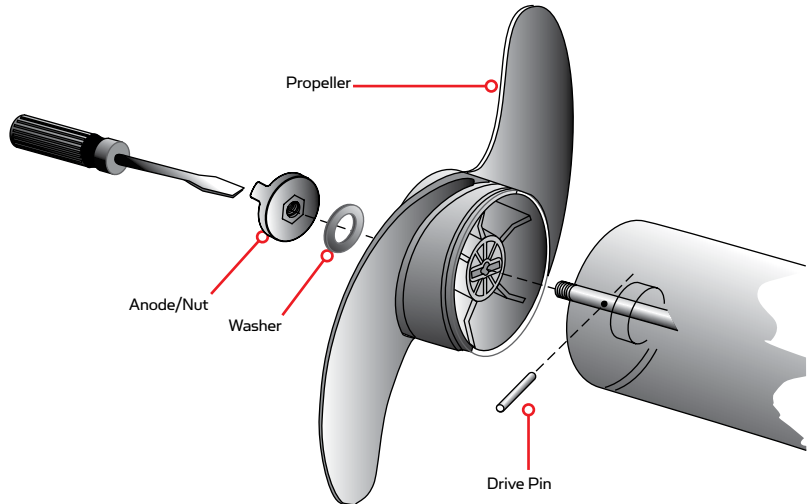
TOOLS AND RESOURCES REQUIRED:

- 9'16" Box End Wrench

CAUTION:

Disconnect the motor from the battery before beginning any prop work or maintenance.

NOTE: The propeller on your motor may differ from the one pictured.



1. Disconnect motor from battery prior to changing the propeller.
2. Hold the propeller and loosen the anode/nut with a wrench.
3. Remove anode/nut and washer. If the drive pin is sheared/broken, you will need to hold the shaft steady with a screwdriver blade pressed into the slot on the end of the shaft.
4. Turn the old prop to horizontal (as illustrated) and pull it straight off. If drive pin falls out, push it back in.
5. Align new propeller with drive pin.
6. Install prop washer and anode/nut.
7. Tighten anode/ nut 1/4 turn past snug [25-35 inch lbs.] [2.5 to 4 Nm]. Be careful, over tightening can damage prop.

GENERAL MAINTENANCE

- After every use, the entire motor should be rinsed with freshwater, then wiped down with a cloth dampened with an aqueous based silicone spray. Do not spray water into the ventilation openings in the head of the motor.
- The composite shaft requires periodic cleaning and lubrication for proper retraction and deployment. A coating of an aqueous based silicone spray will improve operation.
- The propeller must be inspected and cleaned of weeds and fishing line after every use. Fishing line and weeds can get behind the prop, damage the seals and allow water to enter the motor.
- Verify the prop nut is secure each time the motor is used.
- To prevent accidental damage during transportation or storage, disconnect the battery whenever the motor is off of the water. For prolonged storage, lightly coat all metal parts with an aqueous based silicone spray.
- For maximum battery life, recharge the battery(s) as soon as possible after use. For maximum motor performance, restore battery to full charge prior to use.
- Keep battery terminals clean with fine sandpaper or emery cloth (flooded lead acid only).
- The propeller is designed to provide optimum operation with very high efficiency. To maintain this top performance, the leading edge of the blades must be kept smooth. If they are rough or nicked from use, restore to smooth by sanding with fine sandpaper.

TROUBLESHOOTING & REPAIR

1. Motor fails to run or lacks power:
 - Check battery connections for proper polarity.
 - Make sure terminals are clean and corrosion free. Use fine sandpaper or emery cloth to clean terminals.
 - Check battery water level. Add water if needed.
2. Motor loses power after a short running time:
 - Check battery charge. If low, restore to full charge.
3. Motor is difficult to steer:
 - Loosen the steering tension knob on the bracket
 - Lubricate the composite shaft.
4. You experience prop vibration during normal operation:
 - Remove and rotate the prop 180°. See removal instructions in the Propeller Replacement section.
5. Experiencing interference with your fishfinder:
 - You may, in some applications, experience interference in your depth finder display. We recommend that you use a separate deep cycle marine battery for your trolling motor and that you power the depth finder from the starting/cranking battery. If problems still persist, call our service department at 1-800-227-6433.

NOTE: For all other malfunctions, visit an Authorized Service Center. You can search for an Authorized Service Center in your area by visiting our Authorized Service Center page, found online at minnkotamotors.com, or by calling our customer service number, 800-227-6433.

FOR FURTHER TROUBLESHOOTING AND REPAIR

We offer several options to help you troubleshoot and/or repair your product. Please read through the options listed below.



FREQUENTLY ASKED QUESTIONS

We have FAQs available on our website to help answer all of your Minn Kota questions. Visit minnkotamotors.com and click on “Frequently Asked Questions” to find an answer to your question.



CALL US (FOR U.S. AND CANADA)

Our consumer service representatives are available Monday – Friday between 7:00 a.m. – 4:30 p.m. CST at 800-227-6433. If you are calling to order parts, please have the 11-character serial number from your product, specific part numbers, and credit card information available. This will help expedite your call and allow us to provide you with the best consumer service possible. You can reference the parts list located in your manual to identify the specific part numbers.



EMAIL US

You can email our consumer service department with questions regarding your Minn Kota products. To email your question, visit minnkotamotors.com and click on “Support”.



AUTHORIZED SERVICE CENTERS

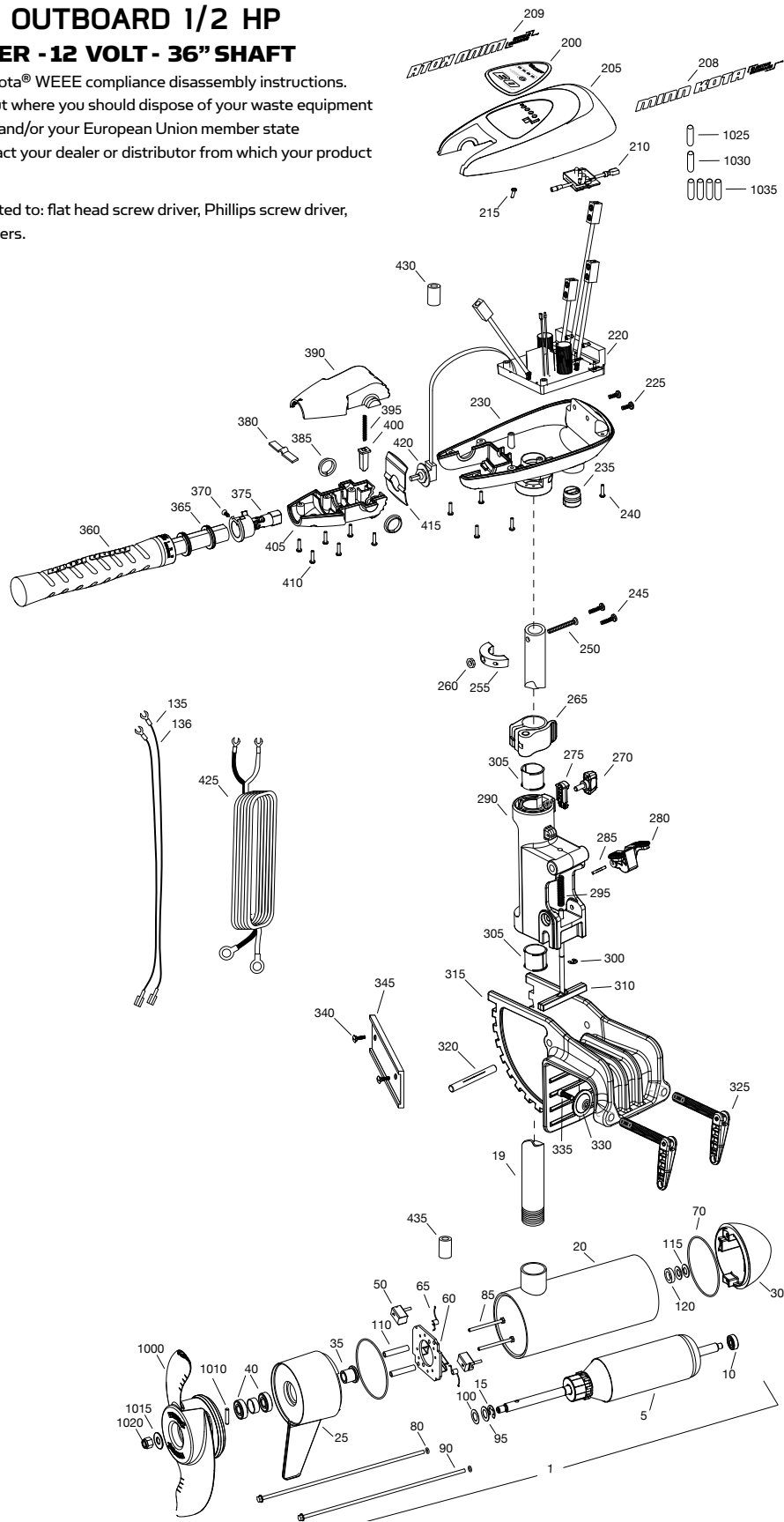
Minn Kota has over 300 authorized service centers in the United States and Canada where you can purchase parts or get your products repaired. Please visit our Authorized Service Center page on our website to locate a service center in your area.

PARTS DIAGRAM

EO ELECTRIC OUTBOARD 1/2 HP 1/2 HORSEPOWER - 12 VOLT - 36" SHAFT

This page provides Minn Kota® WEEE compliance disassembly instructions. For more information about where you should dispose of your waste equipment for recycling and recovery and/or your European Union member state requirements, please contact your dealer or distributor from which your product was purchased.

Tools required, but not limited to: flat head screw driver, Phillips screw driver, socket set, pliers, wire cutters.



PARTS LIST

EO ELECTRIC OUTBOARD 1/2 HP 1/2 HORSEPOWER - 12 VOLT - 36" SHAFT

ITEM	QTY	PART NUMBER	DESCRIPTION
1	1	2316290	12V MOTOR 4" SW 1/2 HP
5	1	2-100-225	ARMATURE ASSEMBLY
10	1	140-010	BEARING
15	1	788-040	RETAINING RING
19	1	2092000	TUBE (COMPOSITE) 36"
20	1	2-200-397	CENTER HOUSING ASSEMBLY
25	1	2-300-340	BRUSH END HOUSING ASSEMBLY
30	1	421-376	PLAIN END HOUSING ASSEMBLY STD
35	1	144-017	FLANGE BEARING (SERVICE ONLY)
40	2	880-025	SEAL
50	2	188-094	BRUSH
60	1	92-600-225	BRUSH PLATE ASSEMBLY 4" 1/2 HP KIT
65	2	975-041	BRUSH SPRING
■	1	2889460	SEAL AND O-RING KIT [40, 70-80]
70	2	701-043	O-RING, MOTOR
80	2	701-009	O-RING, THRU-BOLT
85	2	830-027	SCREW, 10-32 X 1/2"
90	2	830-094	THRU-BOLT #12-24 X 10.31
95	1	990-051	WASHER, STEEL
100	1	990-052	WASHER, NYLATRON
110	1	973-025	SPACER, BRUSH PLATE
115	1	992-010	WASHER, BELLEVILLE
120	2	992-045	THRUST SPACER
135	1	640-037	LEADWIRE, BLACK
136	1	640-137	LEADWIRE, RED
200	1	2095686	DECAL, C-BOX COVER
205	1	2090201	C-BOX COVER
208	1	2095688	CONTROL BOX DECAL - RIGHT SIDE
209	1	2095689	CONTROL BOX DECAL - LEFT SIDE
210	1	2074080	BATTERY METER, 12V SW
215	2	2043427	SCREW, #8 X 7/8 SS
220	1	2884110	CONTROL BOARD
■	1	2888400	POTENTIOMETER REPLACEMENT KIT
225	2	2303434	SCREW, #8-32 X 5/8 SS
230	1	2092503	CONTROL BOX, VARS, SW
235	1	2062905	STRAIN RELIEF
240	6	2303412	SCREW, #6-20 X 5/8 SS
245	2	2263434	SCREW, #8-18 X 1 SS
250	1	2263406	SCREW, #10-24 X 2" PPH SS
255	1	2061517	COLLAR, C-BOX
260	1	2333101	NUT, #10-24, NYLOCK, SS
265	1	2991521	CAM LOCK/DEPTH COLLAR ASSY

ITEM	QTY	PART NUMBER	DESCRIPTION
■	1	2991714	BRACKET ASSY, ALUMINUM [270-335]
270	1	2011366	KNOB, SCREW-COLLAR, SS
275	1	2062801	TENSION BLOCK
280	1	2077202	LEVER-TILT, TRANSOM BRACKET
285	1	2070512	PIN-HINGE, 1/8 X 1
290	1	2071863	HINGE-SW
295	1	2332700	SPRING-(T-BAR), SS
300	1	2333001	E-RING, SS
305	2	2037301	BUSHING, HINGE
310	1	2073604	T-BAR, (E-COAT)
315	1	2071947	BRACKET, SAND CAST SW
320	1	2070514	PIN-HINGE, 3/8 X 3.5, SS
325	2	2991303	CLAMP SCREW, HANDLE ASSY.
330	2	2331700	WASHER-CLAMP SCREW, SS
335	2	2263452	SCREW, 1/4-20 X 3/4 SHCS, SS
■	1	2994844	BAG ASSEMBLY, TRANSOM EXTRUSION
340	2	2053421	SCREW 1/4-14 X 1 PFH, SS
345	1	2058415	TRANSOM EXTRUSION
■	1	2990957	HANDLE ASSY, VARS [360-410]
360	1	2990456	GRIP/HANDLE ASSY, VARS [360-375]
365	2	2060015	BEARING, HANDLE
370	2	2063405	SCREW, #6 PFH SS
375	1	2884092	YOKE / SPIDER ASSY, VARS
380	1	2302742	SPRING, DETENT, OFF
385	2	2060005	BEARING, HANDLE PIVOT
390	1	2060900	HANDLE PIVOT, TOP
395	1	2302745	SPRING, RELEASE BUTTON
400	1	2063700	BUTTON, RELEASE
405	1	2060905	HANDLE PIVOT, BOTTOM
410	6	2303412	SCREW, #6-20 X 5/8 SS
415	1	2062715	SPRING, HANDLE PIVOT
420	1	2061700	WASHER, POT HOLDER
425	1	2881402	LEADWIRE (POWER CABLE) KIT (INCLUDES 235)
430	1	2307316	FERRITE BEAD
435	1	2307312	FERRITE BEAD
■	1	1378132	PROPELLER KIT WW2 [1000-1020]
1000	1	2331160	PROPELLER WW2
1010	1	2262658	DRIVE PIN, LARGE
1015	1	2091701	WASHER, PROP, LARGE
1020	1	2198401	NUT, NYLOCK, PROP, ANODE
1025	1	2305415	SHRINK TUBE
1030	1	2305410	SHRINK TUBE
1035	4	2095400	SHRINK TUBE

■ THIS ITEM IS PART OF AN ASSEMBLY.
*THIS ITEM IS PART OF A KIT AND ONLY LISTED FOR VIEWING PURPOSES.

COMPLIANCE STATEMENTS

ENVIRONMENTAL COMPLIANCE STATEMENT:

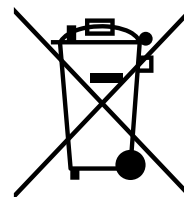
It is the intention of JOME to be a responsible corporate citizen, operating in compliance with known and applicable environmental regulations, and a good neighbor in the communities where we make or sell our products.

WEEE DIRECTIVE:

EU Directive 2002/96/EC "Waste of Electrical and Electronic Equipment Directive (WEEE)" impacts most distributors, sellers, and manufacturers of consumer electronics in the European Union. The WEEE Directive requires the producer of consumer electronics to take responsibility for the management of waste from their products to achieve environmentally responsible disposal during the product life cycle.

WEEE compliance may not be required in your location for electrical & electronic equipment (EEE), nor may it be required for EEE designed and intended as fixed or temporary installation in transportation vehicles such as automobiles, aircraft, and boats. In some European Union member states, these vehicles are considered outside of the scope of the Directive, and EEE for those applications can be considered excluded from the WEEE Directive requirement.

This symbol (WEEE wheelie bin) on product indicates the product must not be disposed of with other household refuse. It must be disposed of and collected for recycling and recovery of waste EEE. Johnson Outdoors Inc. will mark all EEE products in accordance with the WEEE Directive. It is our goal to comply in the collection, treatment, recovery, and environmentally sound disposal of those products; however, these requirements do vary within European Union member states. For more information about where you should dispose of your waste equipment for recycling and recovery and/or your European Union member state requirements, please contact your dealer or distributor from which your product was purchased.



DISPOSAL:

Minn Kota motors are not subject to the disposal regulations EAG-VO (electric devices directive) that implements the WEEE directive. Nevertheless never dispose of your Minn Kota motor in a garbage bin but at the proper place of collection of your local town council.

Never dispose of battery in a garbage bin. Comply with the disposal directions of the manufacturer or his representative and dispose of them at the proper place of collection of your local town council.

WARNING: This product contains chemicals known to the State of California to cause cancer and birth defects or other reproductive harm.

RECOMMENDED ACCESSORIES

PORTABLE BATTERY CHARGERS

Bring the action right to the boat. Our Portable chargers charge your battery in multiple stages to keep you on the water longer, and they're designed to lengthen overall battery life.



MK110P

60-AMP CIRCUIT BREAKER

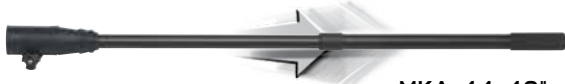
Protects motor from electrical damage. 60 amp rating with manual reset. Fully waterproof. Compatible with all 12-, 24- and 36-volt systems.



MKR-19

TELESCOPING EXTENSION HANDLES

Simply twist the handle to loosen, adjust and tighten our extension handles. Go from 17" to 25" (MKA-43) or 24" to 40" (MKA-44) and experience total speed and steering control in any situation. Fits all outboard and trolling motors.



MKA-44 40"

EXTENSION HANDLES

Provides easier steering and speed control for all hand control motors. Available in 18" (MKA-18) or extra-long 30" (MKA-7) models.



MKA-7

BATTERY POWER CENTER

For small boat, transom applications, these easy access external battery terminals allow trolling motor leads and charger leads to be connected without opening the box. Built-in battery meter includes two 12-volt accessory plugs, and two manual reset circuit breakers (10 amp for accessory plugs and 60 amp for motor). Fits group 24- and 27-size batteries.



BATTERY CONNECTORS

Patented design is ideal for installing batteries in tight, confined places. Easy to disconnect for quick, convenient charging. Plastic cover eliminates risk of electrical shock.



MK-BC-1

For a complete listing of Minn Kota accessories, visit minnkotamotors.com

Follow us:



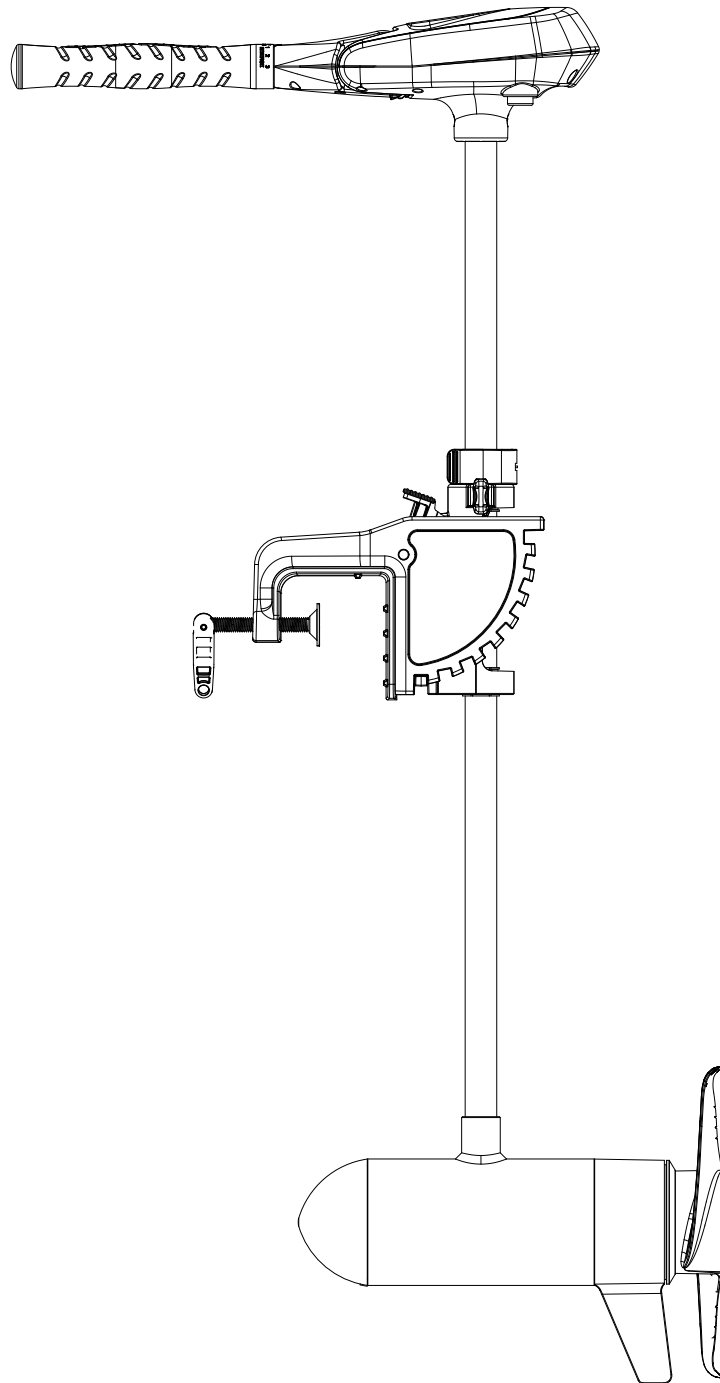
minnkotamotors.com

Minn Kota Consumer & Technical Service
Johnson Outdoors Marine Electronics, Inc.
PO Box 8129
Mankato, MN 56001

121 Power Drive
Mankato, MN 56001
Phone (800) 227-6433
Fax (800) 527-4464



©2015 Johnson Outdoors Marine Electronics, Inc.
All rights reserved.



MOTEUR HORS-BORD ÉLECTRIQUE

EO

GUIDE DE L'UTILISATEUR

GUIDE DE L'UTILISATEUR PRINCIPAL CE (POUR LES MODÈLES CERTIFIÉS CE/C-TICK)

Conforme aux normes 89/336/CEE (CEM), EN 55022A, EN 50082-2 depuis 1996 LN V9677264

MERCI

Merci d'avoir choisi Minn Kota. Nous pensons que vous devriez passer plus de temps à pêcher et moins de temps à positionner votre bateau. C'est pour cette raison que nous construisons les moteurs les plus intelligents, les plus solides et les plus intuitifs. Chaque aspect d'un moteur Minn Kota est pensé et repensé jusqu'à ce qu'il mérite de porter notre nom. D'innombrables heures de recherche et de tests vous offrent l'avantage d'un Minn Kota qui peut vraiment vous emmener « n'importe où. N'importe quand. » Nous ne croyons pas aux raccourcis. Nous sommes Minn Kota. Et nous nous désirons toujours vous aider à attraper plus de poissons.

N'OUBLIEZ PAS DE CONSERVER VOTRE REÇU ET D'ENREGISTRER IMMÉDIATEMENT VOTRE MOTEUR.

Une carte d'enregistrement est jointe, ou vous pouvez terminer l'enregistrement sur notre site Web à l'adresse minnkotamotors.com.

REMARQUE : Ne retournez pas votre moteur Minn Kota à votre revendeur. Votre revendeur n'est pas autorisé à réparer ou à remplacer cette unité. Vous pouvez faire une demande de réparations en appelant Minn Kota au +1 (800) 227-6433; en renvoyant votre moteur au centre de réparation Minn Kota; ou en l'envoyant à un centre de service autorisé Minn Kota. Une liste des centres de réparation agréés est disponible sur notre site Web, à l'adresse minnkotamotors.com. Veuillez inclure une preuve d'achat, le numéro de série de votre moteur et la date d'achat pour garantie avec l'une des options ci-dessus.

Veillez lire attentivement ce manuel d'utilisation. Suivez toutes les instructions et respectez toutes les mentions de mise en garde et mesures de sécurité indiquées ci-dessous. Seules les personnes qui ont lu et compris ces instructions d'utilisation pourront utiliser ce moteur. Les mineurs ne peuvent utiliser ce moteur que sous la supervision d'un adulte.

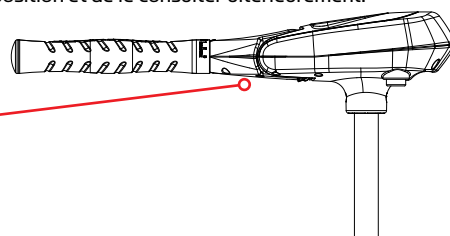
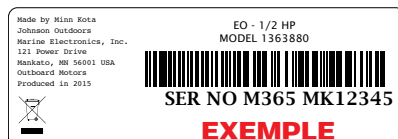
ATTENTION : Ne jamais faire fonctionner le moteur hors de l'eau, cette utilisation peut entraîner des blessures provoquées par l'hélice en rotation. Le moteur doit être débranché de sa source d'alimentation quand il n'est pas en service ou hors de l'eau. Lors du raccordement des câbles d'alimentation du moteur à la batterie, veillez à ce que ces derniers ne soient pas pliés ou tortillés, et câblés de manière à ce que personnes ne puisse trébucher. Avant d'utiliser le moteur assurez-vous que l'isolation des câbles d'alimentation n'est pas endommagée. Le non-respect de ces consignes de sécurité peut entraîner des court-circuit au niveau de la batterie et/ou du moteur. Débranchez toujours le moteur de la ou des batteries avant tout nettoyage ou contrôle de l'hélice. Évitez d'immerger le moteur dans sa totalité, l'eau pourrait pénétrer dans l'unité inférieure de la tête de commande et dans l'arbre. Si le moteur est utilisé tandis que de l'eau est présente dans son unité inférieure, des dommages considérables peuvent survenir. Ces dommages ne seront pas couverts par la garantie.

MISE EN GARDE : Veillez à ce que ni vous ni d'autres personnes n'approchiez l'hélice de trop près, quand elle est en mouvement ni avec les parties du corps, ni avec des objets. Le moteur est puissant et peut vous mettre en danger ou vous blesser, ou blesser quelqu'un. Lorsque le moteur tourne prenez garde aux personnes qui nagent et aux objets flottants. Les personnes dont la capacité à faire fonctionner le moteur ou dont les réactions ont été amoindries par l'alcool, les drogues, les médicaments ou d'autres substances ne sont pas autorisées à utiliser ce moteur. Ce moteur ne convient pas à une utilisation par forts courants. Le niveau de bruit constant du moteur en cours d'utilisation est inférieur à 70dB (A). Le niveau de vibration global ne dépasse pas 2,5 m/sec².

REPÉRER VOTRE NUMÉRO DE SÉRIE

Le numéro de série à 11 caractères de votre Minn Kota est très important. Il aide à déterminer un modèle et une année de fabrication spécifiques. Lorsque vous contactez le Service clientèle ou enregistrez votre produit, vous aurez besoin de connaître le numéro de série de ce dernier. Nous vous recommandons d'inscrire le numéro de série dans l'espace prévu ci-dessous afin de l'avoir à votre disposition et de le consulter ultérieurement.

**Le numéro de série de votre moteur
EO est situé sous sa poignée.**



MODÈLE : _____

NUMÉRO DE SÉRIE : _____

DATE D'ACHAT : _____

MAGASIN D'ACHAT : _____

TABLE DES MATIERES

Garantie Limitée de Deux Ans	22
Caractéristiques	23
Installation	24
Câblage & Installation de la Batterie	25-26
Gréement du bateau & Installation du Produit	25
Tableau de Calibre des conducteurs et du disjoncteur	25
Compteur du Niveau de la Batterie	25
Choix des bonnes batteries	26
Branchement des batteries	26
Schema de Cablage Moteur	27
Utilisation et Réglage du Moteur	28-29
Réglage de la profondeur du moteur	28
Réglage de la direction	28
Réglage du Support	28
Réglage du Tilt Twist Tiller™	29
Contrôle de la vitesse et de la direction a l'aide du timon	29
Stockage du Moteur	29
Réparations et Maintenance	30
Remplacement de l'hélice	30
Entretien Général	30
Dépannage et Réparation	31
Diagramme des Pièces	32
Liste des Pièces	33
Déclaration de Conformité	34
Remarques	35

GARANTIE LIMITÉE DE DEUX ANS

GARANTIE POUR MOTEURS HORS-BORD ÉLECTRIQUES MINN KOTA EO

Johnson Outdoors Marine Electronics, Inc. (« JOME ») n'étend la garantie limitée suivante qu'à l'acheteur original. La couverture de garantie n'est pas transférable.

GARANTIE LIMITÉE DE DEUX ANS MINN KOTA SUR LA TOTALITÉ DU PRODUIT

JOME ne garantit à l'acheteur original que le fait que son nouveau moteur pour propulsion Minn Kota sera exempt de défauts de matériaux et de fabrication apparaissant dans les deux (2) ans suivant la date d'achat. JOME pourra (à sa seule discrétion) réparer ou remplacer, sans frais, les pièces jugées défectueuses par JOME pendant la durée de cette garantie. Ladite réparation ou ledit remplacement relèvent de la responsabilité unique et exclusive de JOME et représentent le seul et unique recours de l'acheteur en cas de violation de cette garantie.

GARANTIE À VIE MINN KOTA LIMITED SUR L'ARBRE COMPOSITE

JOME ne garantit à l'acheteur original que le fait que l'arbre composite de son moteur pour propulsion Minn Kota sera exempt de défauts de matériaux et de fabrication apparaissant durant toute la durée de vie de ce dernier. JOME fournira un nouvel arbre composite, sans frais, en remplacement de tout arbre trouvé défectueux par JOME pendant la durée de cette garantie. Ledit remplacement relève de la responsabilité unique et exclusive de JOME et représente le seul et unique recours de l'acheteur en cas de violation de cette garantie. L'acheteur est responsable de l'installation, ou des coûts de main d'oeuvre pour l'installation de tout nouvel arbre composite fourni par JOME.

EXCLUSIONS ET LIMITATIONS

La présente garantie limitée ne couvre pas les produits qui ont été utilisés dans un cadre commercial ou à des fins de location. Cette garantie limitée ne couvre pas l'usure normale, les défauts qui ne nuisent pas au fonctionnement du produit, ou les dommages causés par des accidents, des abus, des modifications, des dommages lors de l'expédition, des catastrophes naturelles, une négligence ou un détournement de l'utilisateur, un entretien ou une maintenance irréguliers ou insuffisants. **LES DOMMAGES CAUSÉS PAR L'UTILISATION D'AUTRES PIÈCES DE RECHANGE NON CONFORMES AUX SPÉCIFICATIONS DE CONCEPTION DES PIÈCES ORIGINALES NE SERONT PAS COUVERTS PAR CETTE GARANTIE LIMITÉE.** Le coût d'un entretien normal ou de pièces de remplacement qui ne sont pas en violation de la garantie limitée relève de la responsabilité de l'acheteur. Avant d'utiliser les produits, l'acheteur devra déterminer si ces derniers sont conformes à leur usage prévu et assumera tous les risques et responsabilités liés. Toute aide que JOME pourra fournir ou procurer à l'acheteur en dehors des modalités, limitations ou exclusions de la présente garantie limitée ne constituera pas une renonciation auxdites modalités, limitations ou exclusions, ni ne prolonge ou ne ravive la garantie. JOME ne remboursera pas l'acheteur pour tous les frais encourus par ce dernier liés à la réparation, à la correction ou au remplacement de tout produit ou pièce défectueux, sauf ceux engagées avec l'autorisation préalable écrite de JOME. **LA RESPONSABILITÉ GLOBALE DE JOME QUANT AUX PRODUITS COUVERTS EST LIMITÉE À UN MONTANT ÉGAL AU PRIX D'ACHAT ORIGINAL QUE L'ACHETEUR A PAYÉ POUR CE PRODUIT.**

INFORMATIONS RELATIVES AU SERVICE MINN KOTA

Pour bénéficier du service de garantie aux États-Unis, le produit considéré défectueux ainsi que sa preuve d'achat d'origine (y compris la date d'achat), doivent être présentés à un centre de réparations agréé de Minn Kota ou au centre de réparation de l'usine de Minn Kota situé à Mankato, MN. Tous les frais encourus pour les appels liés à des réparations, le transport ou l'expédition/le fret depuis/vers un centre de réparation agréé de Minn Kota, les travaux de mise à sec, d'enlèvement ou de réinstallation des produits pour un entretien garantie, ou autres éléments similaires, relèvent de la seule et exclusive responsabilité de l'acheteur. Les produits achetés en dehors des États-Unis doivent être retournés, port payé, avec preuve d'achat (y compris la date d'achat et le numéro de série) à tout centre de réparation agréé de Minn Kota situé dans le pays d'achat. Les services liés à la garantie peut être planifiés en contactant un centre de réparation agréé de Minn Kota, en téléphonant à l'usine au 1-800-227-6433 ou par courriel à l'adresse service@minnkotamotors.com.

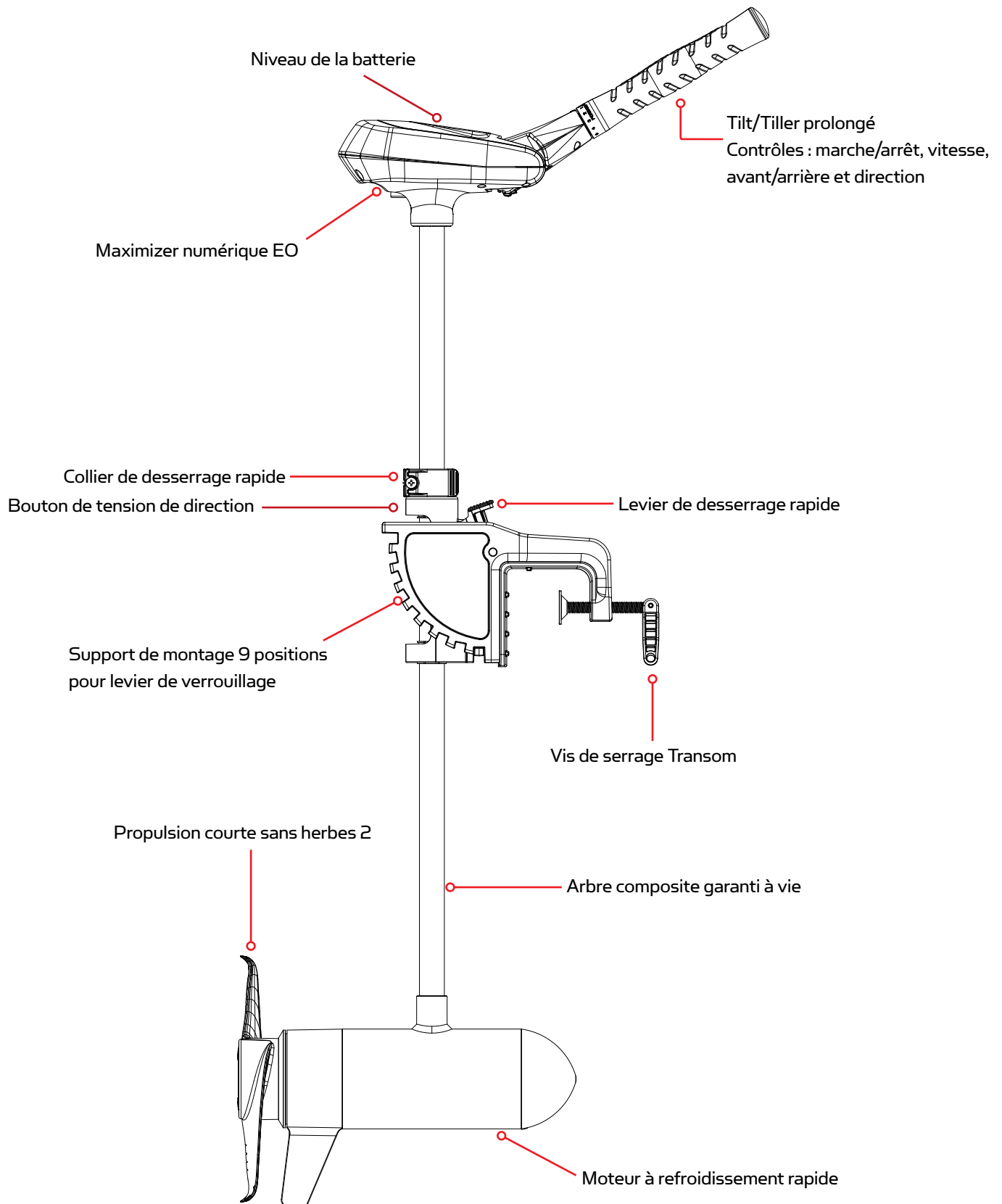
Les produits réparés ou remplacés seront garantis pour le reste de la période de garantie d'origine [ou pendant 90 jours à compter de la date de réparation ou de remplacement, selon la période la plus longue]. Pour tout produit retourné pour réparation sous garantie que JOME considère comme non couvert par la garantie limitée, ou en violation de cette dernière, les services rendus seront facturés au tarif de main d'oeuvre publié en vigueur et pour un minimum d'au moins une heure.

REMARQUE : Ne retournez pas votre produit Minn Kota à votre revendeur. Votre revendeur n'est pas autorisé à réparer ou à remplacer de produits.

IL N'EXISTE AUCUNE GARANTIE EXPRESSE AUTRE QUE LA PRÉSENTE GARANTIE LIMITÉE. AUCUNE GARANTIE IMPLICITE, Y COMPRIS TOUTE GARANTIE IMPLICITE DE QUALITÉ MARCHANDE OU D'ADAPTATION À UN USAGE PARTICULIER, NE PEUT EN AUCUN CAS EXCÉDER LA DURÉE DE LA GARANTIE LIMITÉE PERTINENTE. JOME NE POURRA EN AUCUN CAS ÊTRE CONSIDÉRÉ COMME RESPONSABLE POUR DOMMAGES PUNITIFS, INDIRECTS, ACCESSOIRES, OU SPÉCIAUX. Sans limiter ce qui précède, JOME décline toute responsabilité pour toute perte d'usage du produit, perte de temps, désagrément ou autres dommages.

Certains états n'autorisent pas de limitations sur la durée d'une garantie implicite ou l'exclusion ou la limitation des dommages fortuits ou consécutifs. Les limitations et/ou exclusions ci-dessus peuvent donc ne pas vous concerner. Cette garantie vous donne des droits légaux spécifiques. Vous pouvez également avoir d'autres droits légaux qui varient d'un État à l'autre.

CARACTÉRISTIQUES



Spécifications sujettes à changement sans préavis.

Ce schéma n'est fourni qu'à titre de référence et peut différer de votre moteur réel.

INSTALLATION

INSTALLATION DU MOTEUR

1. Repérez, sur le tableau arrière du bateau, une zone libre de tout obstacle.
2. Ouvrez suffisamment les vis de fixation sur le support pour que ce dernier se positionne sur le haut du tableau arrière du bateau.
3. Placez le support de montage pour levier de verrouillage sur le dessus du tableau arrière du bateau de sorte qu'il repose sur le dessus de la traverse.
4. Vérifiez qu'il n'y a rien que la boîte de commande, la poignée ou le propulseur ne puisse toucher en cours d'utilisation et qui restreindrait la direction ou causerait des dommages au moteur.

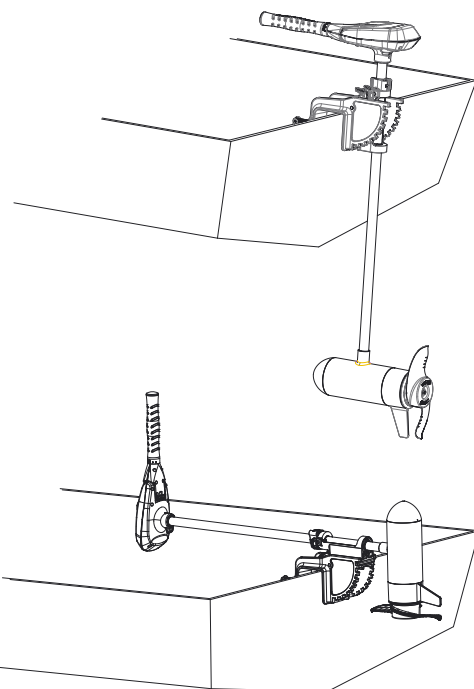
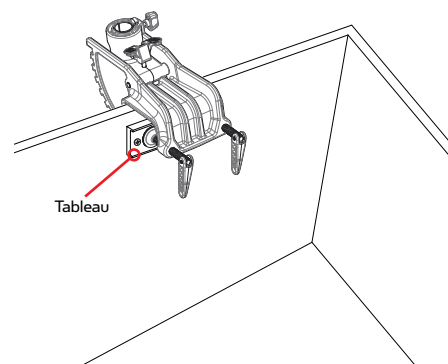
INSTALLATION DU TABLEAU (PIÈCE NUMÉRO 2994844)

- a. Réglez le moteur sur le tableau arrière avec les vis de serrage sorties.
 - b. Faites glisser la pièce pour tableau entre l'intérieur de la traverse et les vis de serrage et serrez ces dernières.
 - c. Fixez la pièce d'extrusion au tableau à l'aide des deux vis fournies. Cette opération nécessitera le forage de deux trous de taille appropriée pour la vis.
5. Serrez les vis de fixation de la traverse à la main seulement. N'utilisez aucun outil pour serrer les vis de fixation, vous pourriez endommager le support ou votre bateau.
 6. Nous recommandons d'ajuster l'angle d'inclinaison du moteur de manière à ce que l'arbre soit perpendiculaire à la surface de l'eau lorsque le moteur est en marche.
 7. Pour le transport, toujours incliner le moteur dans le bateau, de telle sorte que le moteur et l'ensemble de l'hélice soient complètement hors de l'eau et que le moteur soit positionné près de la console du levier de verrouillage.

REMARQUE : Lors du réglage de la profondeur, assurez-vous que le dessus du moteur est immergé d'au moins 12 pouces afin d'éviter tout bouillonnement ou agitation de l'eau de surface. L'hélice doit être complètement submergée.

MISE EN GARDE :

- **Ne jamais faire fonctionner votre moteur quand il est hors de l'eau.**
- **Un serrage excessif des vis de serrage peut endommager le support.**



CÂBLAGE & INSTALLATION DE LA BATTERIE

GRÉEMENT DU BATEAU & INSTALLATION DU PRODUIT

Pour des raisons de sécurité et de conformité, nous vous recommandons de suivre les normes de l'American Boat and Yacht Council (ABYC) relatives au gréement de votre bateau. Toute modification du câblage du bateau doit être réalisée par un technicien qualifié. Les spécifications suivantes sont uniquement des directives générales :

MISE EN GARDE : Ces lignes directrices concernent les gréements généraux dans le cadre de l'installation de votre moteur Minn Kota. La mise sous tension de plusieurs moteurs ou de dispositifs électriques supplémentaires sur le même circuit d'alimentation peut affecter le calibre de conducteur et le disjoncteur recommandés. Si vous utilisez un câble plus long que celui fourni avec votre appareil, veuillez respecter le calibre des conducteurs et du disjoncteur en vous aidant du tableau ci-dessous. Si votre longueur d'extension de fil est de plus de 25 pieds, nous vous recommandons de contacter un technicien marin qualifié.

Une solution de protection contre les surtensions (coupe-circuit ou fusible) peut être utilisée. Les exigences de la Garde côtière indiquent que chaque conducteur transportant un courant mis à la terre doit être protégé par une réinitialisation manuelle, un disjoncteur ou un fusible de circuit à déclenchement libre. Le type (tension et le courant nominal) du fusible ou du disjoncteur doit être dimensionné en conséquence pour le moteur utilisé. Le tableau ci-dessous donne les lignes directrices recommandées pour le dimensionnement du disjoncteur. .

Référence : Code des réglementations fédérales des États-Unis : 33 CFR 183 - Bateaux et équipements connexes ABYC E-11 : Systèmes électriques CA et CC embarqués sur bateaux

TABLEAU DE CALIBRE DES CONDUCTEURS ET DU DISJONCTEUR

Poussée moteur/modèle	Tirage Amp. Max	Coupe-circuit	Longueur de la rallonge*				
			1.5 mètres	3 mètres	4.5 mètres	6 mètres	7.5 mètres
EO 1/2 HP	52	60 Amp @ 12 VDC	16 mm ²	35 mm ²	50 mm ²	50 mm ²	NON RECOMMANDÉ
EO 1 HP	45	50 Amp @ 24 VDC	10 mm ²	16 mm ²	25 mm ²	35 mm ²	35 mm ²

Ce tableau de dimensionnement pour conducteur et disjoncteur est uniquement valable pour les hypothèses suivantes :

1. Pas plus de 3 conducteurs regroupés à l'intérieur d'une gaine en dehors des espaces moteur.
2. Chaque conducteur bénéficie d'un isolement thermique assigné de 105 °C.
3. Pas de chute de tension de plus de 27% autorisée à pleine puissance moteur en fonction des exigences de puissance du produit publiée.

***La longueur de la rallonge désigne la distance entre les batteries et les entrées du moteur.**

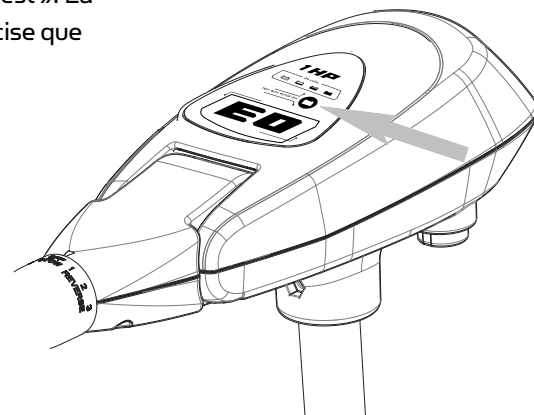
COMPTEUR DU NIVEAU DE LA BATTERIE

Ce moteur est équipé d'un compteur de niveau de batterie de type « push-to-test ». La lumière LED indique précisément* la charge de batterie restante. Elle n'est précise que lorsque le moteur est éteint.

Le compteur affiche :

- Un voyant indique une recharge.
- Deux voyants indiquent une charge faible.
- Trois voyants indiquent une bonne charge.
- Quatre voyants indiquent une charge complète.

*Le compteur de batterie ne sera pas précis en cas d'utilisation de batteries au lithium.



CHOIX DES BONNES BATTERIES

Le moteur fonctionnera avec n'importe quelle batterie à acide-plomb, cycle profond ou lithium de 12 V. Maintenez les batteries au plomb-acide en pleine charge à tout moment. Les batteries au lithium doivent être conservées en-deçà de leur pleine charge et ne doivent être complètement chargées qu'avant toute utilisation. De bons soins vous permettront de disposer de toute la puissance de la batterie lorsque vous en avez besoin, et permettront d'améliorer de manière significative sa durée de vie. La non-recharge des batteries au plomb-acide (dans les 12-24 heures) est la principale cause de pannes prématurées. Nous offrons une large sélection de chargeurs plomb-acide pour répondre à vos besoins de charge. Nous vous recommandons d'utiliser des batteries séparées pour votre moteur Minn Kota EO.

Conseil concernant les batteries :

- Ne raccordez jamais les bornes (+) et (-) de la même batterie entre elles. Veuillez à ce qu'aucun objet métallique ne tombe sur la batterie et ne provoque de court-circuit. Cette situation pourrait immédiatement déclencher un incendie.
- Il est fortement recommandé d'utiliser un disjoncteur ou un fusible avec ce moteur. Reportez-vous au paragraphe « Tableau de calibrage des conducteurs et disjoncteurs » de la section précédente pour trouver le disjoncteur ou les fusibles appropriés pour votre moteur. Pour les moteurs nécessitant un disjoncteur de 60 ampères, le modèle MKR-19 60 Minn Kota est recommandé.

BRANCHEMENT DES BATTERIES

SYSTÈMES 12 V :

1. Assurez-vous que le moteur est éteint (sélecteur de vitesse sur « OFF » ou « 0 »).
2. Connectez la borne rouge positive (+) à la borne positive (+) de la batterie.
3. Connectez la borne noire négative (-) à la borne négative (-) de la batterie.
4. Pour des raisons de sécurité, n'allumez pas le moteur avant que l'hélice ne soit dans l'eau.

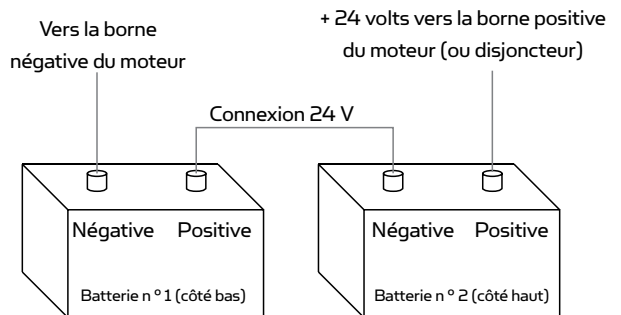
MISE EN GARDE :

Pour des raisons de sécurité, débranchez le moteur de la batterie quand ce dernier n'est pas en cours d'utilisation ou lorsque la batterie est en charge.

RACCORDEMENT DES BATTERIES EN SÉRIE (SI NÉCESSAIRE POUR VOTRE MOTEUR)

SYSTÈMES 24 V :

1. Assurez-vous que le moteur est éteint (sélecteur de vitesse sur « 0 »).
2. Deux batteries de 12 volts sont nécessaires.
3. Les batteries doivent être raccordées en série uniquement comme indiqué dans le schéma de câblage, afin de fournir une charge de 24 volts.
 - a. Branchez un câble de connexion à la borne positive (+) de la batterie 1 et à la borne négative (-) de la batterie 2.
 - b. Connectez la borne rouge positive (+) du moteur à la borne positive (+) de la batterie
 - c. Connectez la borne noire négative (-) du moteur à la borne négative (-) de la batterie 1.
4. Pour des raisons de sécurité, n'allumez pas le moteur avant que l'hélice ne soit dans l'eau. En cas d'installation d'un bouchon de fil de sortie, respectez la polarité et suivez les instructions contenues dans le manuel de votre bateau. Voir le schéma de câblage aux pages suivantes.

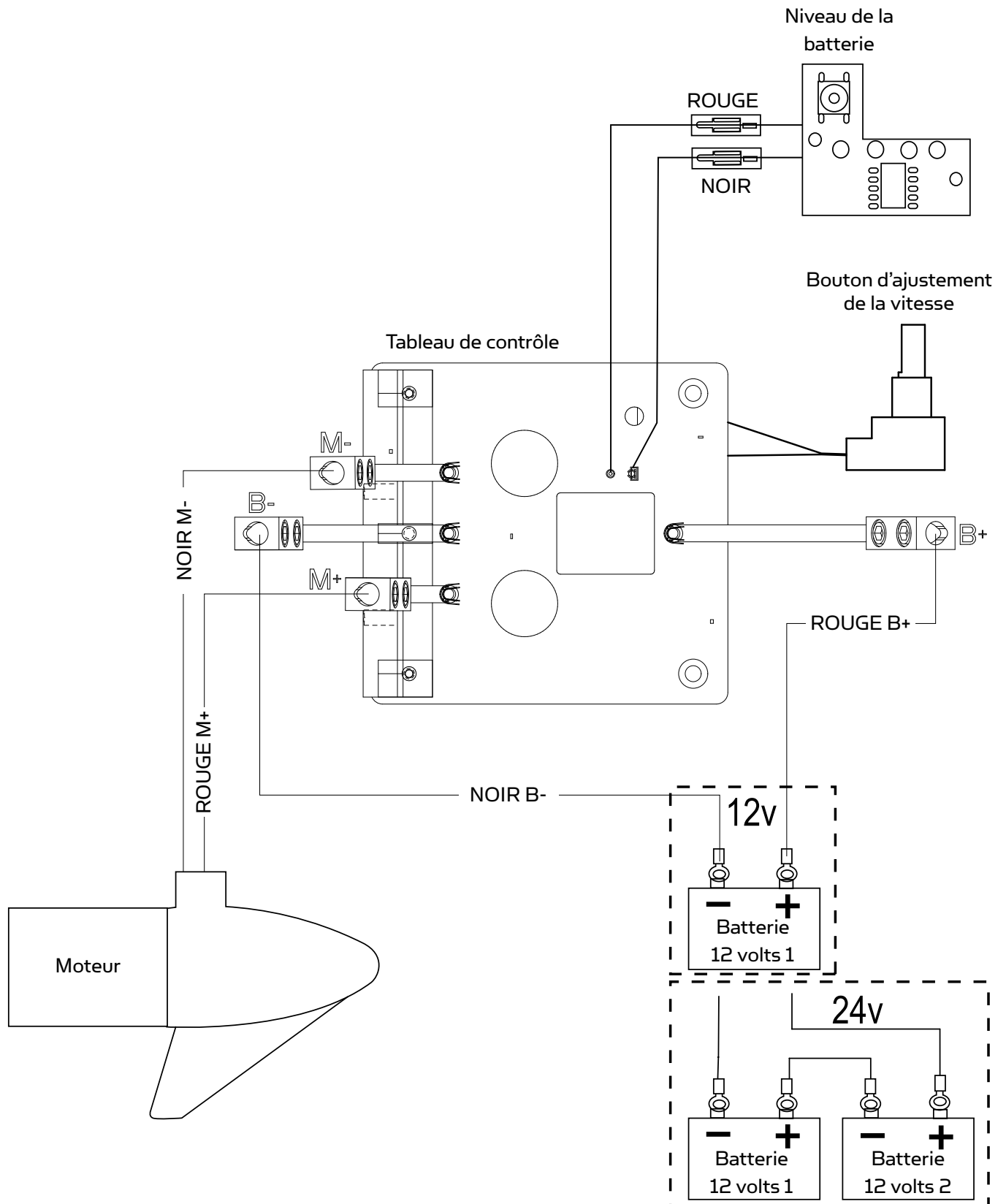


Branchement en série 24 V

MISE EN GARDE:

- **Pour des raisons de sécurité, débranchez le moteur de la batterie quand ce dernier n'est pas en cours d'utilisation ou lorsque la batterie est en charge.**
- **Un mauvais câblage des systèmes de 24/36 volts pourrait provoquer faire exploser la batterie !**
- **Assurez-vous que les connexions aux bornes de la batterie sont bien serrées.**
- **Placez la batterie dans un compartiment ventilé.**

SCHEMA DE CABLAGE MOTEUR



UTILISATION & RÉGLAGE DU MOTEUR

RÉGLAGE DE LA PROFONDEUR DU MOTEUR

Lors du réglage de la profondeur, vérifiez que le dessus du moteur est immergé d'au moins 12 pouces afin d'éviter tout bouillonnement ou agitation de l'eau de surface. L'hélice doit être complètement submergée.

1. Saisissez fermement l'arbre composite et maintenez-le en place.
2. Desserrez le bouton de tension de direction ainsi que le bouton du collier réglable jusqu'à ce que l'arbre coulisse librement.
3. Élevez ou abaissez le moteur jusqu'à la profondeur désirée.
4. Resserrez le bouton de profondeur réglable pour fixer le moteur en place.

MISE EN GARDE:

- **Ne jamais faire fonctionner votre moteur quand il est hors de l'eau.**
- **Un serrage excessif des vis de serrage peut endommager le support.**
- **Ne jamais desserrer le bouton de tension de direction sans tenir solidement l'arbre du moteur. Le non respect de cette consigne entraînera une chute trop rapide du moteur contre le support.**

REGLAGE DE LA DIRECTION

- Réglez le bouton de tension de direction afin de permettre au moteur de tourner librement, tout en restant en place s'il n'est pas tenu

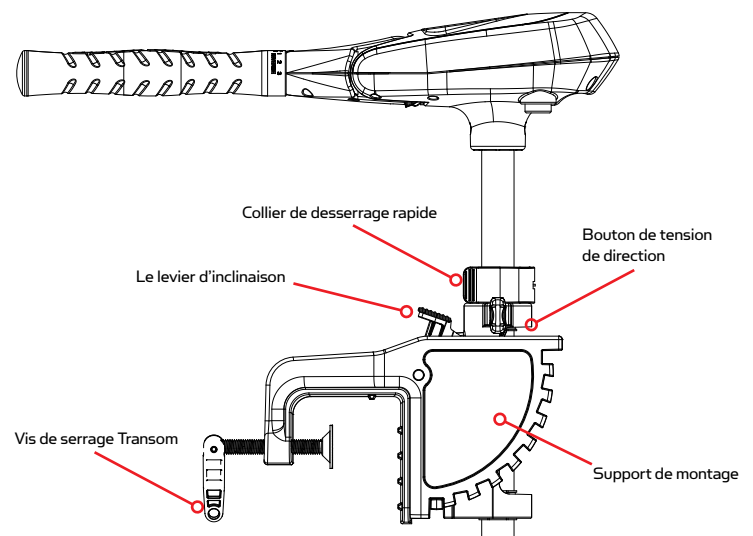
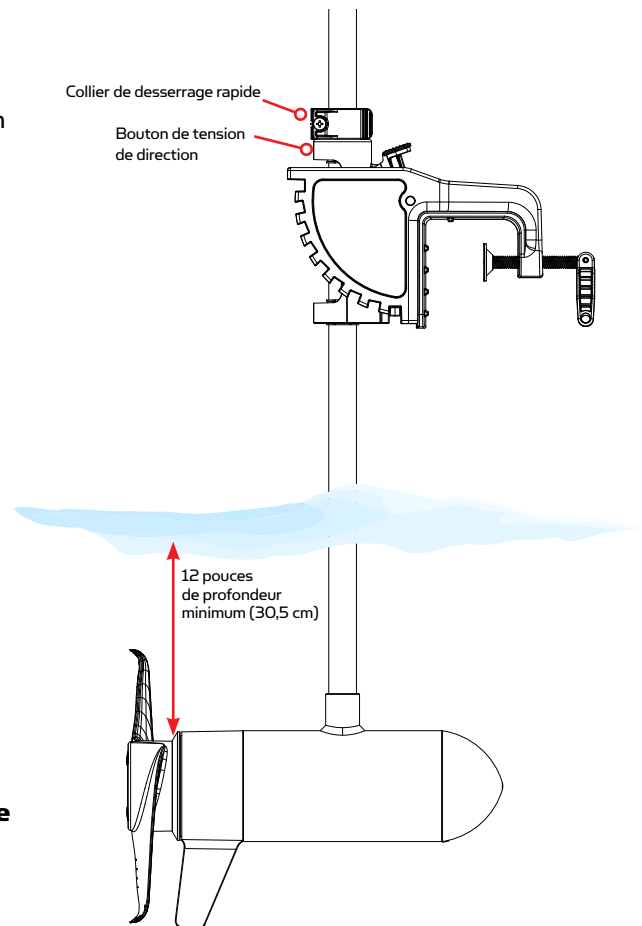
OU

- Resserrez le bouton pour placer le moteur dans une position prédéfinie vous per pêche.

RÉGLAGE DU SUPPORT

Vous pouvez bloquer votre moteur en position verticale, en angle pour les eaux peu profondes ou de manière inclinée, complètement hors de l'eau.

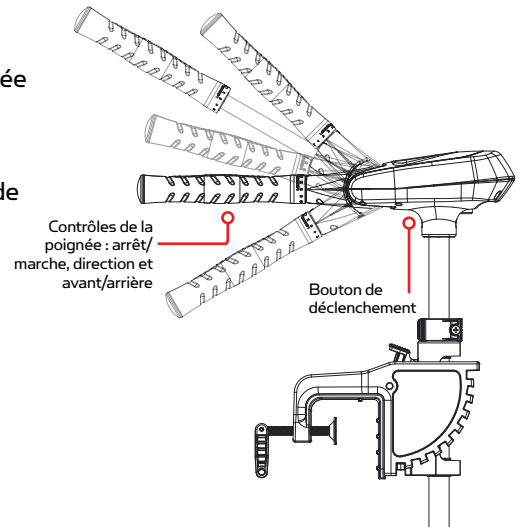
1. Saisissez fermement la tête de commande ou l'arbre composite.
2. Appuyez sur le levier d'inclinaison, vers le bas, en direction du support de l'arbre et maintenez-le pour libérer la barre en T qui vous permettra d'ajuster la position du support de montage.
3. Inclinez le moteur dans une des positions du support de montage.
4. Relâcher le levier d'inclinaison.



RÉGLAGE DU TILT TWIST TILLER™

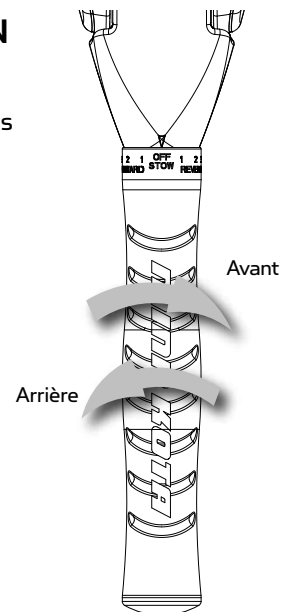
La poignée Twist Tiller est livrée en position verticale. Tirez fermement sur la poignée jusqu'à ce qu'elle soit en position horizontale. La poignée possède sept positions différentes : 45° 30° et 15° haut et en bas depuis 0°. La poignée se verrouille en position horizontale, mais peut être inclinée vers le bas en appuyant sur le bouton de déclenchement situé sur la face inférieure gauche de son pivot.

REMARQUE : AVANT de tenter d'incliner la poignée vers le bas, la poignée de contrôle de vitesse du moteur DOIT être sur OFF/STOW.



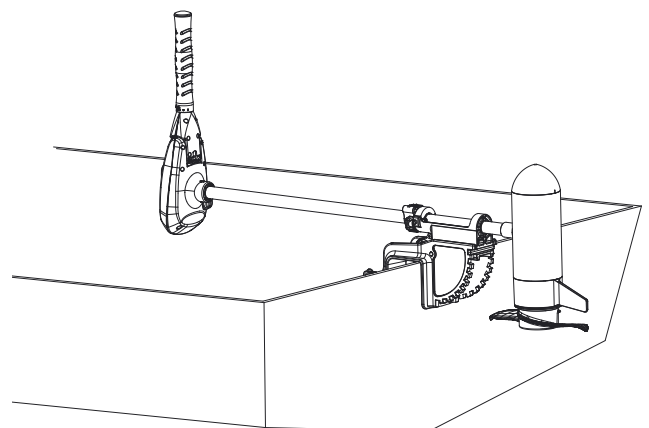
CONTRÔLE DE LA VITESSE ET DE LA DIRECTION A L'AIDE DU TIMON

Ce moteur propose des vitesses variables en marche avant et en marche arrière. Le contrôle de la vitesse peut être exploité dans les deux sens, avant ou arrière. Tournez la barre de poignée dans le sens antihoraire à partir de (OFF) pour augmenter la vitesse en marche arrière et dans le sens horaire à partir de (OFF) pour augmenter la vitesse en marche avant. La vitesse diminue à mesure que vous vous approchez de (OFF) dans les deux sens.



STOCKAGE DU MOTEUR

1. Réglez la profondeur de sorte que le moteur soit complètement relevé.
2. Appuyez sur le levier d'inclinaison et maintenez-le enfoncé.
3. Faites basculer le moteur dans le bateau.
4. Pour le transport, faites toujours basculer le moteur dans le bateau, de telle sorte que le moteur et l'ensemble de l'hélice soient complètement hors de l'eau et que le moteur soit positionné près de la console du levier de verrouillage.



SERVICE ET ENTRETIEN

REPLACEMENT DE L'HÉLICE

OUTILS ET RESSOURCES NÉCESSAIRES :

- Clé 9/16"

MISE EN GARDE : Débranchez le moteur de la batterie avant de commencer tout travail de réparation ou d'entretien.

REMARQUE : L'hélice de votre moteur peut différer de celle illustrée.

1. Débranchez toujours le moteur de la ou des batteries avant de changer l'hélice.
2. Maintenez l'hélice et desserrez l'anode/l'écrou avec une clé.
3. Retirez l'anode/l'écrou et la rondelle. Si la broche d'entraînement est cisailée/cassée, vous aurez besoin de maintenir l'arbre stable à l'aide d'une lame de tournevis enfoncée dans la fente sur l'extrémité de l'arbre.
4. Faites basculer l'ancienne hélice à l'horizontale (comme illustré) et tirez-la. Si la broche d'entraînement tombe, remettez-la en place.
5. Alignez la nouvelle hélice sur la broche d'entraînement.
6. Installez l'anode/l'écrou sans oublier la rondelle.
7. Serrez l'anode/l'écrou d'un 1/4 de tour (25-35 pouces) (2,5 à 4 Nm). Soyez prudent, un serrage excessif peut endommager l'hélice.

ENTRETIEN GÉNÉRAL

- Après chaque utilisation, l'ensemble moteur doit être rincé à l'eau douce, puis essuyé à l'aide d'un chiffon imbibé d'un spray de silicone à base aqueuse. Ne pas pulvériser d'eau dans les ouvertures de ventilation de la tête du moteur.
- L'arbre composite nécessite un nettoyage et une lubrification périodiques pour assurer un bon fonctionnement. Un revêtement par pulvérisation aqueuse à base de silicone améliorera son fonctionnement.
- L'hélice doit être inspectée et nettoyée et les mauvaises herbes ou lignes de pêche ôtées après chaque utilisation. La ligne et les mauvaises herbes peuvent se retrouver derrière l'hélice, endommager les joints et permettre à l'eau d'entrer dans le moteur.
- Vérifiez que l'écrou de l'hélice est bien en place à chaque fois que le moteur est utilisé.
- Pour prévenir tout dommage accidentel pendant le transport ou le stockage, débranchez la batterie lorsque le moteur est hors de l'eau. Pour un stockage prolongé, enduisez légèrement toutes les parties métalliques avec un spray de silicone à base aqueuse.
- Pour prolonger la durée de la batterie, rechargez cette dernière dès que possible après son utilisation. Pour une performance maximale du moteur, assurez-vous que la batterie est à pleine charge avant toute utilisation.
- Assurez-vous que les bornes de la batterie sont propres à l'aide d'un papier de verre fin ou de toile émeri.
- L'hélice est conçue pour fonctionner de manière optimale et de manière très efficace. Pour maintenir cette performance supérieure, le bord d'attaque des pales doit être maintenue lisse. Si elles sont rugueuses ou entaillées, lissez-les en les ponçant au papier de verre fin.

DÉPANNAGE ET RÉPARATION

1. Le moteur ne tourne pas ou manque de puissance :
 - Vérifiez la polarité des connexions de la batterie.
 - Assurez-vous que les bornes sont propres et sans corrosion. Utilisez du papier de verre fin ou de la toile émeri pour nettoyer les bornes.
 - Vérifiez le niveau d'eau de la batterie. Ajoutez de l'eau si nécessaire.
2. Le moteur perd de la puissance après un temps de fonctionnement court :
 - Vérifiez le niveau de charge de la batterie. Si ce dernier est faible, chargez-la pleinement.
3. Le moteur est difficile à diriger :
 - Desserrez le bouton de tension de direction sur le support.
 - Graissez l'arbre composite.
4. L'hélice vibre pendant un fonctionnement normal :
 - Retirez l'hélice et faites-la pivoter sur 180°. Voir les instructions de démontage de la section Remplacement de l'hélice.
5. Vous rencontrez des interférences avec votre détecteur de poissons :
 - Vous pouvez, dans certaines situations, rencontrer des interférences avec votre détecteur de poissons. Nous vous recommandons d'utiliser une batterie marine à cycle profond séparée pour votre moteur de traîne et d'alimenter le détecteur depuis la batterie de démarrage. Si le problème persiste, appelez notre service au +1-800-227-6433.

REMARQUE : Pour tous les autres problèmes, visitez un centre de réparation agréé. Vous pouvez rechercher un centre de réparation agréé dans votre région en visitant notre page Centres de réparation agréé, disponible en ligne à l'adresse minnkotamotors.com, ou en appelant notre service à la clientèle au +1 800-227-6433.

POUR PLUS D'INFORMATIONS DE DÉPANNAGE ET DE RÉPARATION

Nous offrons plusieurs options pour vous aider à résoudre les problèmes rencontrés et/ou réparer votre produit. Veuillez lire les options proposées ci-dessous.



QUESTIONS FRÉQUEMMENT POSÉES

Nous avons une section FAQ sur notre site Web qui tente de répondre à toutes vos questions liées à Minn Kota. Rendez-vous sur minnkotamotors.com et cliquez sur « Foire Aux Questions » pour trouver la réponse à votre question.



APPELEZ-NOUS (USA ET CANADA)

Nos représentants du service à la clientèle sont disponibles du lundi au vendredi entre 07h00 et 16h30 CST au +1 800-227-6433. Si vous appelez pour commander des pièces, veuillez préparer le numéro de série à 11 caractères de votre produit, les numéros de pièce spécifiques et vos informations de carte de crédit. Cela nous aidera à accélérer votre appel et à vous offrir le meilleur service possible. Vous pouvez consulter la liste des pièces située dans votre manuel pour identifier les numéros de pièces spécifiques.



CONTACTEZ-NOUS PAR EMAIL

Vous pouvez envoyer un email à notre service clientèle pour poser toute question concernant vos produits Minn Kota. Pour ce faire, rendez-vous sur minnkotamotors.com et cliquez sur « Support ».



CENTRES DE RÉPARATION AGRÉÉS

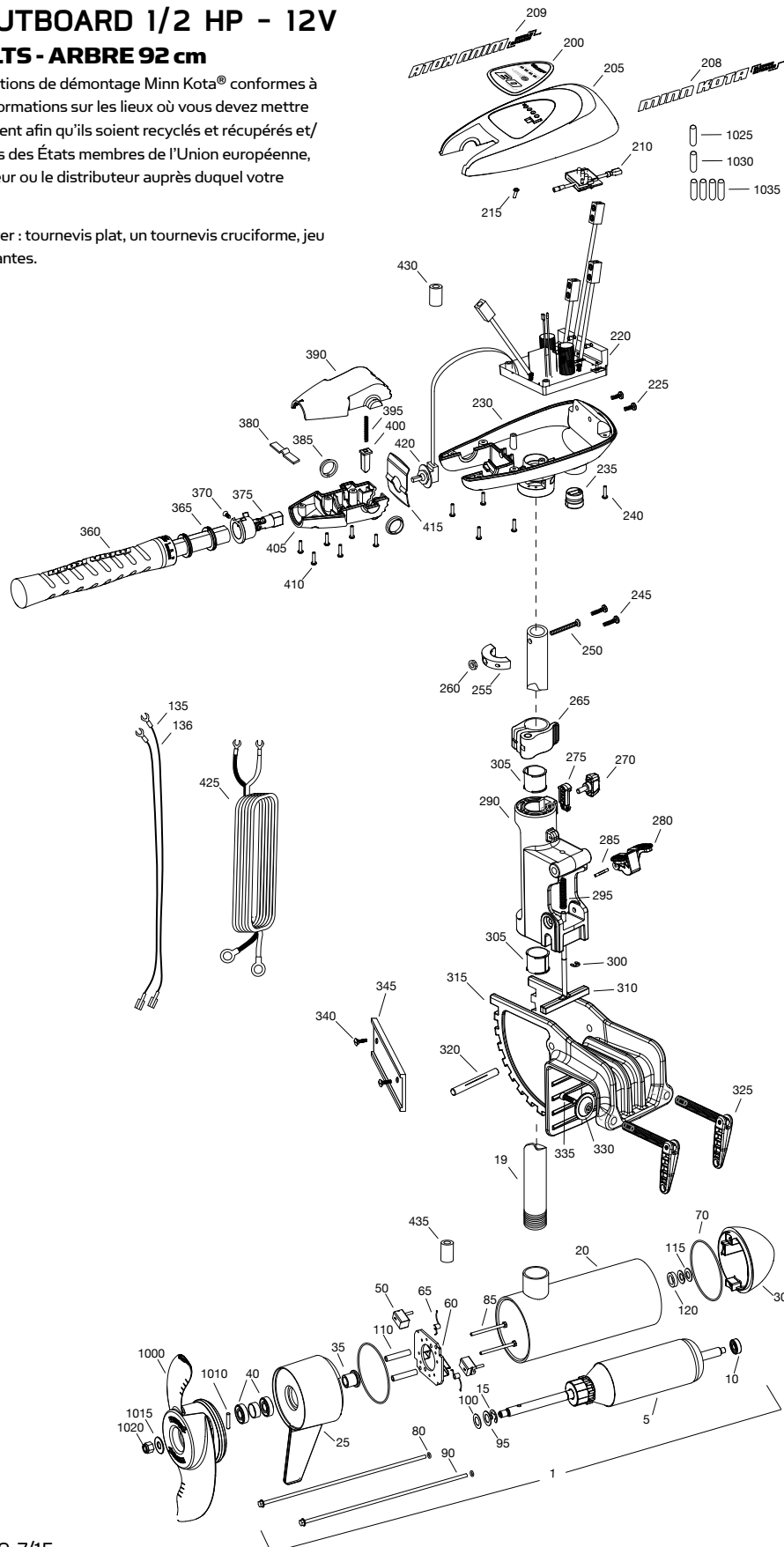
Minn Kota compte plus de 300 centres de réparation agréés aux États-Unis et au Canada où vous pouvez acheter des pièces ou faire réparer vos produits. Veuillez visiter notre page Centre de réparation agréé sur notre site pour repérer un centre de réparation dans votre région.

SCHÉMA DES PIÈCES

EO ELECTRIC OUTBOARD 1/2 HP - 12V 1/2 CHEVAL - 12 VOLTS - ARBRE 92 cm

Cette page présente des instructions de démontage Minn Kota® conformes à la norme WEEE. Pour plus d'informations sur les lieux où vous devez mettre au rebut vos déchets d'équipement afin qu'ils soient recyclés et récupérés et/ou pour connaître les obligations des États membres de l'Union européenne, veuillez contacter votre revendeur ou le distributeur auprès duquel votre produit a été acheté.

Outils nécessaires, sans s'y limiter : tournevis plat, un tournevis cruciforme, jeu de douilles, pinces, pinces coupantes.



LISTES DES PIÈCES

EO ELECTRIC OUTBOARD 1/2 HP 1/2 CHEVAL - 12 VOLT - ABRE 92 cm

ARTICLE	QUANTITÉ	NUMÉRO DE PIÈCE	DESCRIPTION
1	1	2316290	MOTEUR 12 VOLTS 4" SW 1/2 HP
5	1	2-100-225	ASSEMBLAGE DE L'ARMATURE
10	1	140-010	ROULEMENT
15	1	788-040	ANNEAU DE RETENUE
19	1	2092000	TUBE (COMPOSITE) 92 CM
20	1	2-200-397	ASSEMBLAGE DU BOITIER CENTRAL
25	1	2-300-340	ASSEMBLAGE DU BOITIER D'EXTRÉMITÉ
30	1	421-376	ASSEMBLAGE DU BOITIER EXT
35	1	144-017	BRIDE (REPARATION SEULEMENT)
40	2	880-025	JOINT
50	2	188-094	BROSSE
60	1	92-600-225	ASSEMBLAGE PLATEAU BROSSE 4" 1/2 HP KIT
65	2	975-041	RESSORT BROSSE
■	1	2889460	KIT JOINTS (40, 70-80)
70	2	701-043	JOINT O, MOTEUR
80	2	701-009	JOINT O, BOULON
85	2	830-027	VIS, 10-32X1/2"
90	2	830-094	BOULON INT. #12-24 X 10.31
95	1	990-051	RONDELLE, ACIER
100	1	990-052	RONDELLE, NYLATRON
110	1	973-025	ESPACEUR, PLATEAU BROSSE
115	1	992-010	RONDELLE, BELLEVILLE
120	2	992-045	ESPACEUR, BUTÉE
135	1	640-037	CÂBLE PRINCIPAL, NOIR
136	1	640-137	CÂBLE PRINCIPAL, ROUGE
200	1	2095686	AUTOCOLLANT POUR COUVERCLE DE LA BOÎTE DE CONTRÔLE, LE PLAN
205	1	2090201	BOÎTIER DE CONTRÔLE
208	1	2095688	AUTOCOLLANT POUR COUVERCLE DE LA BOÎTE DE CONTRÔLE, DROIT
209	1	2095689	AUTOCOLLANT POUR COUVERCLE DE LA BOÎTE DE CONTRÔLE, À GAUCHE
210	1	2074080	JAUGE DE BATTERIE, 12-VOLT SW
215	2	2043427	VIS, #8X7/8 SS
220	1	2884110	TABLEAU DE CONTRÔLE
■	1	2888400	KIT DE REMPLACEMENT DE POTENTIOMÈTRE
225	2	2303434	VIS, #8-32 X 5/8 SS
230	1	2092503	BOÎTE DE COMMANDE, VARS, SW
235	1	2062905	SOULAGEMENT DE TRACTION
240	6	2303412	VIS, #6-20 X 5/8 SS
245	2	2263434	VIS, #8-18 X 1 SS
250	1	2263406	VIS, #10-24 X 2" PPH SS
255	1	2061517	COL, BOÎTIER C
260	1	2333101	ÉCROU, #10-24, NYLOCK, SS
265	1	2991521	VERROUILLAGE/ENSEMBLE BAGUE DE PROFONDEUR

ARTICLE	QUANTITÉ	NUMÉRO DE PIÈCE	DESCRIPTION
■	1	2991714	ENSEMBLE SUPPORT ALUMINIUM (270-335)
270	1	2011366	BOUTON, VIS-COL, SS
275	1	2062801	BLOC DE TENSION
280	1	2077202	BASCULE LEVIER, SUPPORT TRAVERSE
285	1	2070512	CHARNIÈRE BROCHES, 1/8 X 1
290	1	2071863	CHARNIÈRE-SW
295	1	2332700	RESSORT (T), SS
300	1	2333001	RESSORT-E, SS
305	2	2037301	BASCULE
310	1	2073604	BARRE EN T, (E-COAT)
315	1	2071947	SUPPORT, MOULAGE EN SABLE SW
320	1	2070514	CHARNIÈRE BROCHES, 3/8 X 3,5 SS
325	2	2991303	VIS DE SERRAGE, ASSEMBLAGE POIGNÉE
330	2	2331700	VIS DE SERRAGE, SS
335	2	2263452	VIS, 1/4-20X3/4 SHCS, SS
■	1	2994844	ASSEMBLAGE SAC, EXTRUSION TRAVERSE
340	2	2053421	VIS 1/4-14X1 PFH, SS
345	1	2058415	EXTRUSION TRAVERSE
■	1	2990957	ASSEMBLAGE POIGNÉE, VARS (360-410)
360	1	2990456	ASSEMBLAGE PRISE/POIGNÉE, VARS (360-375)
365	2	2060015	ROULEMENT, POIGNÉE
370	2	2063405	VIS, #6 PFH SS
375	1	2884092	ASSEMBLAGE YOKE/SPIDER, VARS
380	1	2302742	RESSORT, DÉTENTE, OFF
385	2	2060005	ROULEMENT, PIVOT POIGNÉE
390	1	2060900	PIVOT POIGNÉE, HAUT
395	1	2302745	RESSORT, BOUTON DE DÉCLENCHEMENT
400	1	2063700	BOUTON DE DÉCLENCHEMENT
405	1	2060905	PIVOT POIGNÉE, BAS
410	6	2303412	VIS, #6-20 X 5/8 SS
415	1	2062715	RESSORT, PIVOT POIGNÉE
420	1	2061700	RONDELLE, TITULAIRE DE POT
425	1	2881402	KIT CÂBLE PRINCIPAL (COMPREND 235)
430	1	2307316	FERRITE
435	1	2307312	FERRITE
■	1	1378132	KIT HÉLICE WW2 (1000-1020)
1000	1	2331160	HÉLICE WW2
1010	1	2262658	BROCHE DRIVE, LARGE
1015	1	2091701	RONDELLE, HÉLICE, LARGE
1020	1	2198401	ÉCROU, NYLOCK, HÉLICE, ANODE
1025	1	2305415	TUBE RÉTRACTABLE
1030	1	2305410	TUBE RÉTRACTABLE
1035	4	2095400	TUBE RÉTRACTABLE

■ CET ARTICLE FAIT PARTIE D'UN ENSEMBLE.

*CET ARTICLE FAIT PARTIE D'UN KIT ET N'EST INDIQUÉ QU'À DE FINS DE VISUALISATION.

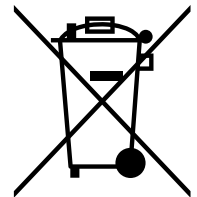
DÉCLARATIONS DE CONFORMITÉ

DÉCLARATIONS DE CONFORMITÉ ENVIRONNEMENTALE :

Il est dans l'intention de JOME d'être une entreprise citoyenne responsable, agissant en conformité avec les réglementations environnementales connues et applicables, ainsi qu'un bon voisin au sein des collectivités où nous produisons ou commercialisons nos produits.

DIRECTIVE WEEE :

La Directive européenne 2002/96/CE « Mise au rebut des équipements électriques et électroniques (WEEE) » impacte la plupart des distributeurs, vendeurs et fabricants d'électronique grand public de l'Union européenne. La directive WEEE oblige les producteurs d'électronique grand public à gérer les déchets de leurs produits pour parvenir à une mise au rebut respectueuse de l'environnement tout au long du cycle de vie du produit. Le respect de la directive WEEE peut ne pas être requis dans votre région pour les équipements électriques et électroniques (EEE), ni pour les EEE conçus et destinés à une installation fixe ou temporaire dans les véhicules de transport tels que les automobiles, les avions et les bateaux. Dans certains États membres de l'Union européenne, ces véhicules sont considérés comme situés en dehors du champ d'application de la directive, et les EEE de ces applications peuvent être considérés comme exonérés des obligations de la directive WEEE.



Ce symbole (Poubelle à roue WEEE) placé sur le produit indique que ce dernier ne doit pas être jeté avec les autres ordures ménagères. Il doit être éliminé et recueilli afin d'être recyclé et récupéré sous la norme EEE.

Johnson Outdoors Inc. marquera tous ses produits EEE, conformément à la directive WEEE. Notre but est de nous conformer aux meilleures normes de collecte, traitement, valorisation et élimination écologiquement responsables de ces produits; toutefois, ces normes varient au sein des États membres de l'Union européenne. Pour plus d'informations sur les lieux où vous devez mettre au rebut vos déchets d'équipement afin qu'ils soient recyclés et récupérés et/ou pour connaître les obligations des États membres de l'Union européenne, veuillez contacter votre revendeur ou le distributeur auprès duquel votre produit a été acheté.

ÉLIMINATION :

Les moteurs Minn Kota ne sont pas soumis à la réglementation d'élimination EAG-VO (directive sur les dispositifs électriques) qui met en œuvre la directive WEEE. Néanmoins, ne jetez jamais votre moteur de Minn Kota dans une poubelle, mais à l'emplacement de collecte approprié de votre ville.

Ne jetez jamais de batterie dans une poubelle. Conformez-vous aux indications de mise au rebut du fabricant ou de son représentant et mettez au rebut toute batterie usée à l'emplacement de collecte approprié de votre ville.

ATTENTION : Ce produit contient des produits chimiques reconnus par l'État de Californie comme pouvant provoquer des cancers et des malformations congénitales ou d'autres problèmes reproductifs.

ACCESSOIRES RECOMMANDÉS

CHARGEURS DE BATTERIE PORTABLES

Aprenez l'action dans votre bateau. Nos chargeurs portables vous permettent de recharger votre batterie en plusieurs étapes pour rester sur l'eau plus longtemps, et sont conçus pour prolonger la durée de vie globale de votre batterie.



MK110P

COUPE-CIRCUIT 60 AMP

Protège les moteurs de traîne contre les dommages électriques. 60 ampères avec réarmement manuel. Complètement waterproof Compatible avec tous les systèmes 12, 24 et 36 volts.



MKR-19

POIGNÉES D'EXTENSION TÉLESCOPIQUES

Il vous suffit de tourner la poignée pour desserrer, ajuster et serrer nos poignées d'extension. Aller de 17" à 25" (MKA-43) ou de 24" à 40" (MKA-44) pour une vitesse et un contrôle de la direction complets, dans toute situation. Convient à tous les moteurs hors-bords et de pêche à la traîne.



MKA-44 40"

POIGNÉES D'EXTENSION

Permet une direction et un contrôle de la vitesse simplifiés pour tous les moteurs à contrôle manuel. Disponible en modèles 18" (MKA-18) ou extra-longs 30" (MKA-7).



MKA-7

TERMINAL DE BATTERIE EXTERNE

Pour les petits bateaux, ces bornes de la batterie externes faciles d'accès permettent de brancher les bornes de moteurs traîne fils à celles du chargeur sans avoir à ouvrir le boîtier. Jauge de batterie intégrée comprenant deux bouchons accessoires de 12 volts et deux disjoncteurs de réarmement manuel (10 ampères pour les bouchons accessoires et 60 ampères pour le moteur à la traîne). Convient aux batteries de taille 24- et 27-.



CONNECTEURS DE BATTERIE

Une conception brevetée est idéale pour une installation des batterie dans des endroits confinés. Facile à déconnecter pour une recharge rapide et pratique. Le couvercle en plastique élimine le risque d'électrocution.



MK-BC-1

Pour une liste complète des accessoires Minn Kota, visitez minnkotamotors.com Suivez-nous:



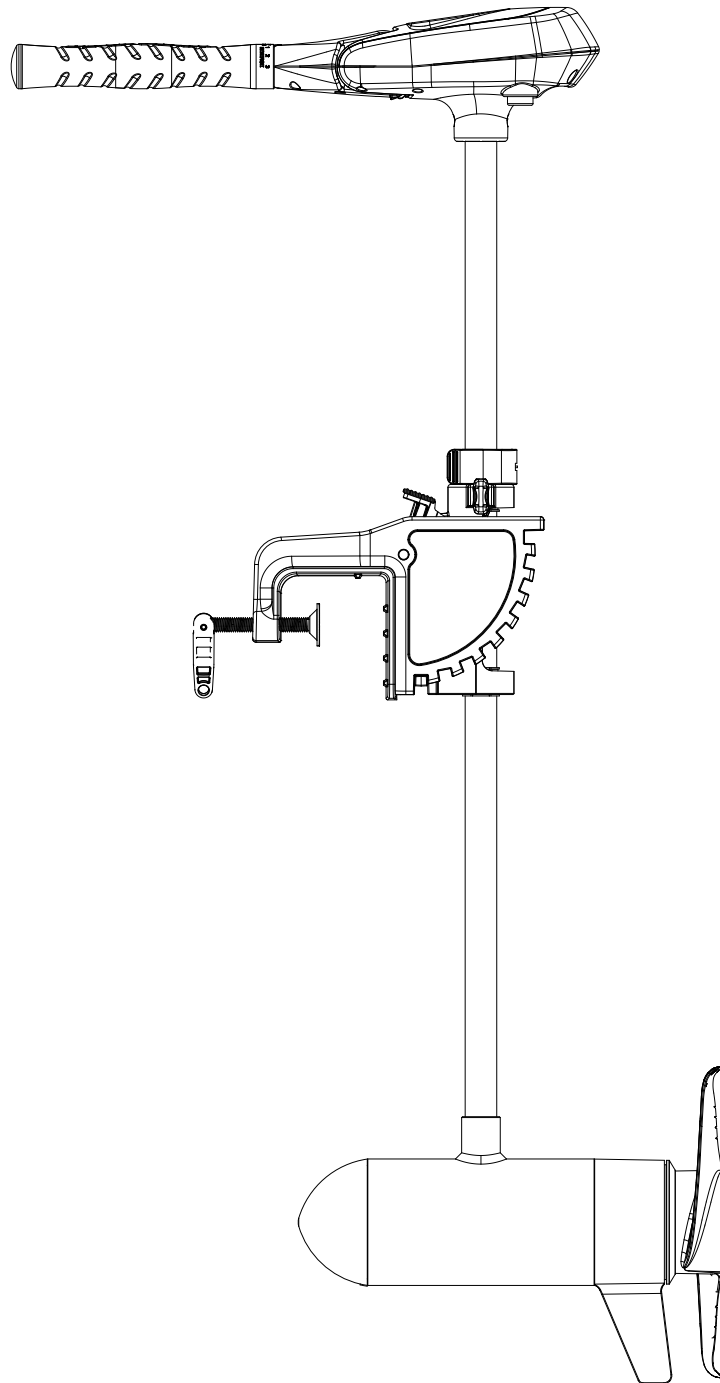
minnkotamotors.com

Minn Kota Consumer & Technical Service
Johnson Outdoors Marine Electronics, Inc.
PO Box 8129
Mankato, MN 56001

121 Power Drive
Mankato, MN 56001
Phone (800) 227-6433
Fax (800) 527-4464



©2015 Johnson Outdoors Marine Electronics, Inc.
Tous droits réservés



MOTOR ELÉCTRICO FUERABORDA DE MONTAJE EN POPA

EO

MANUAL DEL USUARIO

MANUAL DEL USUARIO CE (PARA MODELOS CERTIFICADOS COMO CE/C-TICK)

Cumple con 89/336/EEC (EMC) según los estándares EN 55022A, EN 50082-2 desde 1996 LN V9677264

AGRADECIMIENTO

Gracias por adquirir un producto Minn Kota. Nuestro compromiso es ayudarle a poder dedicar más tiempo a pescar y menos al posicionamiento de su embarcación. Por ello, construimos los motores más inteligentes, resistentes e intuitivos para utilizarse en el agua. Pensamos minuciosamente cada aspecto de los motores Minn Kota hasta que consideramos que son lo suficientemente buenos como para llevar nuestro nombre. Innumerables horas de investigación y de pruebas han hecho que Minn Kota pueda ofrecerle una ventaja que le permita llegar “a cualquier sitio y en cualquier momento.” No creemos en los atajos rápidos. Somos Minn Kota. Nunca le habremos ayudado a pescar lo suficiente.

RECUERDE GUARDAR EL JUSTIFICANTE DE COMPRA Y REGISTRE CUANTO ANTES ESTE MOTOR.

Se incluye una tarjeta de registro. Pero también puede registrarlo en nuestro sitio web minnkotamotors.com.

NOTA: No devuelva su motor Minn Kota al minorista en el que lo ha adquirido, ya que este no está autorizado para reparar ni cambiar esta unidad. Para obtener asistencia técnica, llame a Minn Kota al (800) 227-6433; devuelva su motor a un centro de servicio de Minn Kota o envíe (o lleve personalmente) su motor a cualquier centro de servicio autorizado de Minn Kota. En nuestro sitio web, minnkotamotors.com, incluimos una lista de los centros de servicio autorizados. Recuerde incluir el justificante de compra, el número de serie y la fecha de compra para poder hacer uso de la garantía de cualquiera de las formas indicadas anteriormente.

Lea este manual de usuario en su integridad. Siga todas las instrucciones y avisos de precaución y seguridad que se indican a continuación. Este motor solo puede ser utilizado por personas que hayan leído y comprendido correctamente estas instrucciones. Los menores solo podrán utilizar este motor bajo la supervisión de un adulto.

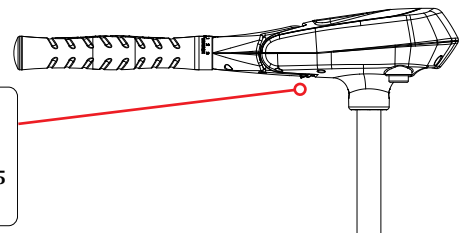
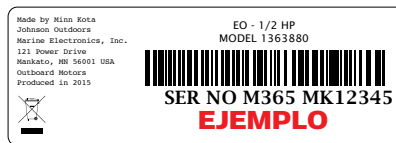
ATENCIÓN: Nunca accione el motor fuera del agua, ya que el propulsor rotador podría ocasionar lesiones. Deberá desconectarse el motor de la fuente de alimentación cuando no esté en uso o cuando esté fuera del agua. Al conectar los cables de alimentación del motor a la batería, asegúrese de que no estén retorcidos ni rozados y dispóngalos de forma que no interfieran en el tránsito de las personas. Antes de utilizar el motor, asegúrese de que el aislamiento de los cables de alimentación no esté dañado. La no observación de estas precauciones de seguridad puede producir cortocircuitos en la batería o el motor. Antes de limpiar o comprobar el funcionamiento del propulsor, desconecte siempre el motor de la batería. Evite sumergir por completo el motor, ya que podría entrar agua en la unidad inferior a través del cabezal de control y el eje. Si se utiliza el motor con agua en la unidad inferior, es posible que se ocasionen daños graves en este. La garantía no cubrirá en ningún caso este tipo de daños.

PRECAUCIÓN: No se acerque demasiado al propulsor cuando esté en funcionamiento. Del mismo modo, evite que se acerquen otras personas u objetos. Este motor es muy potente, por lo que puede ocasionar lesiones. Cuando el motor esté en funcionamiento, tenga cuidado con los objetos flotantes o las personas que estén nadando en sus proximidades. No se permite el uso de este motor a personas cuya capacidad para manejarlo esté perjudicada por el consumo de alcohol, drogas, medicamentos u otras sustancias. Este motor no es adecuado para utilizarse en zonas de fuertes corrientes. El nivel de presión de ruido constante del motor en funcionamiento es de menos de 70 dB(A). El nivel de vibración general no supera los 2,5 m/s².

LOCALIZACIÓN DEL NÚMERO DE SERIE

El número de serie de 11 caracteres de Minn Kota es de gran importancia. Le ayuda a determinar el modelo específico y el año de fabricación de su motor. Cuando se ponga en contacto con el servicio de atención al cliente o cuando registre su producto, deberá indicar su número de serie. Le recomendamos que lo escriba en el espacio que se indica a continuación para tenerlo disponible cuando lo necesite.

El número de serie del EO se encuentra bajo el mango del timón.



Modelo: _____

Número de Serie: _____

Fecha de Compra: _____

Establecimiento en el que se compró: _____

TABLA DE CONTENIDO

Dos Años de Garantía Limitada	40
Funciones	41
Instalación	42
Instalación y Cableado de la Batería	43-44
Equipamiento de la embarcación e instalación del producto	43
Tabla de tamaños de galgas de conductores y disyuntores	43
Medidor de Batería de Pulsación	43
Selección de las baterías correctas	44
Conexión de las baterías	44
Esquema de Cablado del Motor	45
Uso Y Ajuste del Motor	46-47
Ajuste de la profundidad del motor	46
Ajuste de la Dirección	46
Ajuste del soporte	46
Ajuste del Tilt Twist Tiller™	47
Control de Velocidad y Dirección con el Timón	47
Guardado del Motor	47
Servicio y Mantenimiento	48
Cambio del Propulsor	48
Mantenimiento General	48
Solución de Problemas y Reparación	49
Ilustración de las Piezas	50
Lista de Piezas	51
Declaraciones de Conformidad	52
Notas	53

DOS AÑOS DE GARANTÍA LIMITADA

GARANTÍA DE LOS MOTORES FUERABORDA ELÉCTRICOS MINN KOTA EO

Johnson Outdoors Marine Electronics, Inc. ("JOME") ofrece la garantía limitada siguiente solo al comprador original del producto a través de un minorista. La cobertura de la garantía no es transferible.

GARANTÍA LIMITADA DE DOS AÑOS DE MINN KOTA SOBRE LA TOTALIDAD DEL PRODUCTO

JOME le garantiza exclusivamente al comprador original del producto a través de un minorista que el nuevo motor de propulsión principal Minn Kota no presentará ningún defecto en sus materiales ni ningún fallo de fabricación durante los dos (2) años posteriores a la fecha de compra. JOME reparará o cambiará, a su discreción y de forma gratuita, cualquier pieza que JOME considere defectuosa mientras esté vigente la garantía. Dicha reparación o sustitución será responsabilidad exclusiva de JOME y constituirá la única solución legal del comprador en caso de incumplimiento de esta garantía.

GARANTÍA LIMITADA Y PERMANENTE DE MINN KOTA SOBRE EL EJE COMPUESTO

JOME le garantiza exclusivamente al comprador original del producto a través de un minorista, que el eje compuesto del motor Minn Kota no presentará ningún defecto en sus materiales ni ningún fallo de fabricación en durante el tiempo que viva el comprador original. JOME proporcionará un nuevo eje compuesto de forma gratuita o lo cambiará en caso de que, a criterio de JOME, esté defectuoso mientras esté vigente la garantía. La facilitación de un nuevo eje compuesto será responsabilidad exclusiva de JOME y constituirá la única solución legal del comprador en caso de incumplimiento de esta garantía. **La responsabilidad de instalar cualquier eje compuesto proporcionado por JOME, o de asumir el coste de su instalación, correrá a cargo del comprador.**

EXCLUSIONES Y LIMITACIONES:

Esta garantía limitada no se aplica a los productos que han sido comercializados o alquilados. Esta garantía limitada no cubre el desgaste por uso normal, las taras menores que no afecten al funcionamiento del producto ni los daños producidos por accidentes, uso inadecuado, modificación, daños durante el transporte, causas de fuerza mayor, negligencia o uso imprudente por parte del usuario, así como tampoco por un mantenimiento inadecuado o insuficiente. **ESTA GARANTÍA LIMITADA NO CUBRE LOS DAÑOS OCASIONADOS POR EL USO DE OTRAS PIEZAS DE REPUESTO QUE NO CUMPLAN CON LAS ESPECIFICACIONES DE DISEÑO DE LAS PIEZAS ORIGINALES.** El coste del mantenimiento normal o de las piezas de repuesto que no incumplan esta garantía limitada correrá a cargo del comprador. Antes de utilizar los productos, el comprador deberá determinar su adecuación para el uso pretendido y asumir todos los riesgos y las responsabilidades derivados de tal uso. Cualquier asistencia que JOME proporcione o facilite al comprador fuera de los términos, limitaciones o exclusiones de esta garantía limitada no constituirá ninguna exención a estos términos, limitaciones ni exclusiones. Del mismo modo, esta asistencia tampoco ampliará ni reactivará la garantía. JOME no le reembolsará al comprador ningún gasto en el que este incurra por la reparación, corrección o sustitución de algún producto o pieza defectuosos, excepto con el consentimiento previo por escrito de JOME. **LA RESPONSABILIDAD AGREGADA DE JOME CON RESPECTO A LOS PRODUCTOS CUBIERTOS SE LIMITA A UNA CANTIDAD IGUAL AL PRECIO ORIGINAL PAGADO POR EL COMPRADOR POR DICHO PRODUCTO.**

INFORMACIÓN DE SERVICIO DE MINN KOTA

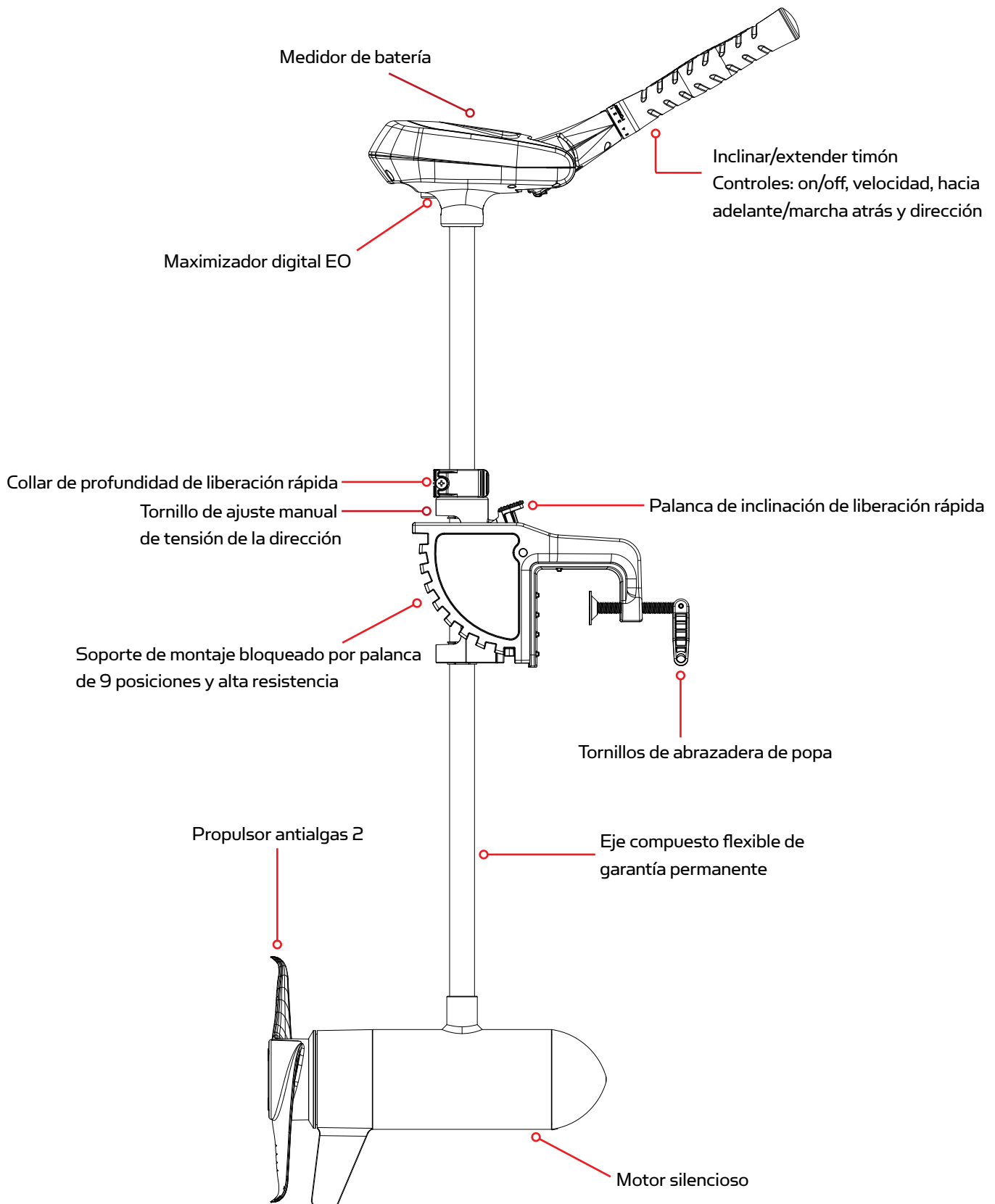
Para poder hacer uso del servicio de garantía en los EE. UU., deberá enviarse el producto del que se tenga la sospecha de que pueda ser defectuoso junto con el justificante de compra (en el que figure la fecha de compra) al centro de servicio autorizado de Minn Kota o al centro de servicio de la fábrica de Minn Kota en Mankato, MN (EE. UU.). Cualquier cargo en el que se incurra por llamadas al servicio, transporte o envío con origen o destino a la fábrica o el centro de servicio autorizado de Minn Kota, labor de arrastre, retirada, reinstalación o reequipamiento de productos retirados de la garantía o cualquier otro artículo similar, será responsabilidad exclusiva del comprador. Los productos comprados fuera de los EE. UU. deberán ser devueltos franqueados con el justificante de compra (con la fecha de compra y el número de serie) a cualquier centro de servicio autorizado de Minn Kota del país en el que se compró el artículo. Puede concertarse el servicio de garantía poniéndose en contacto con el centro de servicio autorizado de Minn Kota o con la fábrica en el 1-800-227-6433. También puede enviar un correo electrónico a service@minnkotamotors.com. **Los productos reparados o cambiados estarán en garantía durante el tiempo restante del periodo de garantía original [o 90 días desde la fecha de la reparación o cambio, el periodo que sea más largo]. En el caso de que se devuelva un producto al servicio de asistencia y JOME considere que no incumple esta garantía limitada, se le cargarán al comprador los costes del servicio correspondiente, con un mínimo de mano de obra de una hora.**

NOTA: No devuelva su producto Minn Kota al minorista en el que lo ha adquirido, ya que este no está autorizado para reparar ni cambiar productos.

NO SE PROPORCIONA NINGUNA GARANTÍA EXPRESA MÁS ALLÁ DE ESTAS GARANTÍAS LIMITADAS. EN NINGÚN CASO, NINGUNA GARANTÍA IMPLÍCITA, INCLUIDA CUALQUIER GARANTÍA IMPLÍCITA DE COMERCIABILIDAD O ADECUACIÓN PARA UN FIN PARTICULAR, IRÁ MÁS ALLÁ DE LA DURACIÓN DE LA GARANTÍA LIMITADA EXPRESA RELEVANTE. EN NINGÚN CASO JOME SERÁ RESPONSABLE DE NINGÚN DAÑO PUNITIVO, INDIRECTO, INCIDENTAL, CONSECUCIONAL NI ESPECIAL. Sin limitación de lo anterior, JOME no asume ninguna responsabilidad por pérdidas derivadas del uso del producto, pérdida de tiempo ni cualquier otra inconveniencia o daño ocasionados.

Algunos estados no permiten limitaciones sobre la duración de garantías implícitas o la exclusión o limitación de daños incidentales o consecuenciales, por lo que, en ese caso, las exclusiones o limitaciones anteriores podrían no ser de aplicación. Esta garantía le confiere derechos legales específicos. Es posible que también le asistan otros derechos que puedan variar según el estado.

FUNCIONES



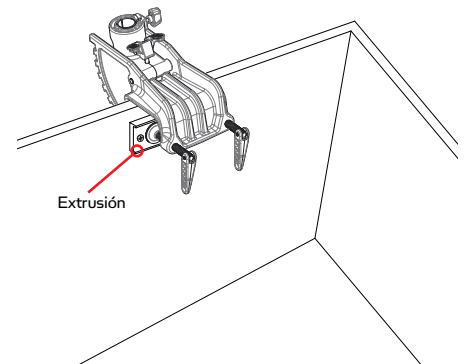
Estas especificaciones están sujetas a modificaciones sin previo aviso.

Esta ilustración se muestra exclusivamente a modo de referencia y puede diferir con respecto al motor real.

INSTALACIÓN

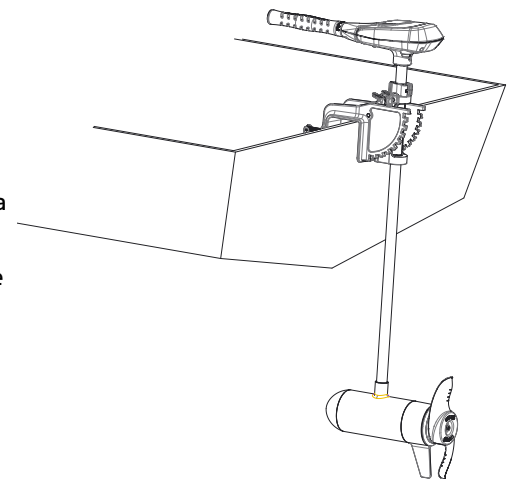
INSTALACION DEL MOTOR

1. Localice una zona de la popa de la embarcación que esté libre de obstrucciones.
2. Abra los tornillos de la abrazadera del soporte lo suficiente como para poder colocarlo en la popa.
3. Coloque el soporte de montaje bloqueado por palanca sobre la popa de forma que descansa sobre la parte superior de esta.
4. Asegúrese de que no haya obstáculos en la caja de control, el mango o el propulsor que puedan interferir en su trayectoria, ya que esto podría restringir el movimiento de giro u ocasionar daños en el motor.



INSTALACIÓN DE LA EXTRUSIÓN EN LA POPA (NÚMERO DE PIEZA 2994844)

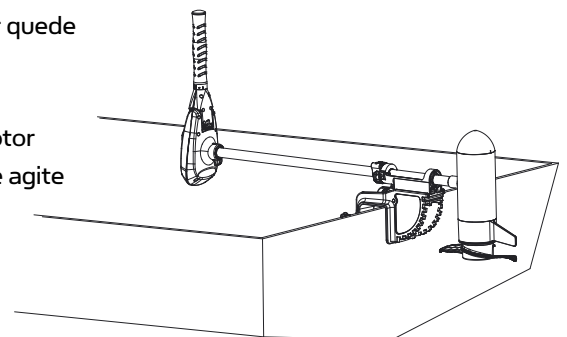
- a. Coloque el motor en la popa con los tornillos de la abrazadera retraídos.
 - b. Deslice la extrusión entre el interior de la popa y las arandelas de los tornillos de la abrazadera. A continuación, apriete los tornillos de la abrazadera.
 - c. Coloque la extrusión en la popa con los dos tornillos proporcionados. Esto requerirá realizar dos agujeros del
5. Apriete manualmente los tornillos de la abrazadera en la popa. No utilice ninguna herramienta para apretar los tornillos de la abrazadera, ya que podría dañarse el soporte o la propia embarcación. We recommend the tilt angle of the motor to be adjusted so that the motor shaft is perpendicular to the water surface when the motor is in use.
 6. Se recomienda ajustar el ángulo de inclinación del motor de forma que el eje del motor esté perpendicular a la superficie del agua cuando el motor esté en uso.
 7. Para el transporte, incline el motor hacia la embarcación de forma que tanto este como el conjunto del propulsor queden totalmente fuera del agua y el motor quede pegado al soporte de bloqueo de palanca.



NOTA: Al establecer la profundidad, asegúrese de que la parte superior del motor esté sumergida al menos 12 pulgadas (30 cm) para evitar salpicaduras y que se agite la superficie del agua. El propulsor debe estar completamente sumergido.

PRECAUCIÓN:

- **No accione nunca el motor fuera del agua.**
- **Si se aprietan en exceso los tornillos de las abrazaderas, pueden producirse daños en el soporte.**



INSTALACIÓN Y CABLEADO DE LA BATERÍA

EQUIPAMIENTO DE LA EMBARCACIÓN E INSTALACIÓN DEL PRODUCTO

Por motivos de seguridad y de cumplimiento normativo, se recomienda seguir las normas del American Boat and Yacht Council (ABYC) para el equipamiento de su embarcación. La alteración de cableado debe ser llevada a cabo por un técnico especializado. Las especificaciones siguientes se dan solo a modo de indicaciones generales:

PRECAUCIÓN: Estas especificaciones se aplican solo al equipamiento general de su motor Minn Kota EO. La alimentación de varios motores o dispositivos eléctricos adicionales a partir del mismo circuito de alimentación puede repercutir negativamente sobre el tamaño del disyuntor y la galga del conductor. Si está utilizando un cable más largo que el suministrado con la unidad, respete la tabla de tamaños de los disyuntores y las galgas del conductor que se indica a continuación. Si el cable es mayor de 25 pies (7,6 m), se recomienda ponerse en contacto con un técnico especializado.

Deberá utilizarse un dispositivo de protección de sobretensión (disyuntor o fusible). La normativa costera aplicable determina que cada conductor que reciba corriente y que no esté conectado a tierra deberá estar protegido por un fusible o disyuntor de disparo libre y restablecimiento manual. El tipo (voltaje y corriente) del fusible o disyuntor y su tamaño dependerán del motor de pesca utilizado. En la tabla siguiente se indican los tamaños recomendados de los disyuntores. .

Referencias:

Código de Regulaciones Federales de los Estados Unidos: 33 CFR 183 – Embarcaciones y equipamiento asociado ABYC E-11: Sistemas eléctricos de CA y CC en embarcaciones

TABLA DE TAMAÑOS DE GALGAS DE CONDUCTORES Y DISYUNTORES

Modelo / motor de propulsión	Consumo máx. amp.	Disyuntor	Longitud de extensión del cable *				
			1.5 m	3 m	4.5 m	6 m	7.5 m
EO 1/2 HP	52	60 Amp @ 12 VDC	16 mm ²	35 mm ²	50 mm ²	50 mm ²	NO SE RECOMIENDA
EO 1 HP	45	50 Amp @ 24 VDC	10 mm ²	16 mm ²	25 mm ²	35 mm ²	35 mm ²

Esta tabla de tamaños de conductores y disyuntores solo es válida considerando las suposiciones siguientes:

1. Que no haya más de tres conductores agrupados dentro de una misma funda o conducto fuera de los espacios del motor.
2. Que cada conductor ofrezca un aislamiento de 105 °C de temperatura.
3. Que según los requisitos de alimentación del producto publicados, no se permita una caída de tensión de más del 27 % a máxima potencia.

***Por longitud de extensión del cable se entiende la distancia de las baterías a los cables del motor de pesca.**

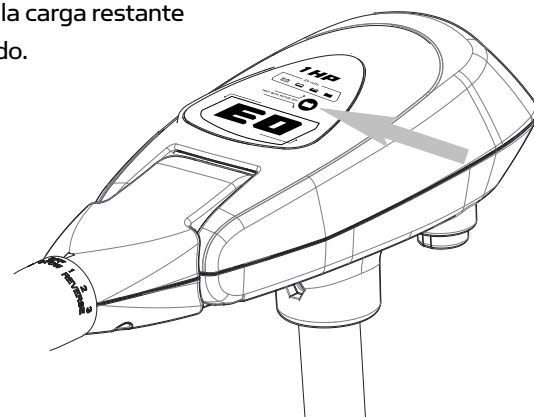
MEDIDOR DE BATERÍA DE PULSACIÓN

Este motor está equipado con un medidor de batería de pulsación. El LED indica la carga restante exacta de la batería. Solo funciona de forma precisa cuando el motor está apagado.

Interpretación de las luces del medidor:

- Una sola luz: recargar.
- Dos luces: batería escasa.
- Tres luces: batería con carga suficiente.
- Cuatro luces: batería totalmente cargada.

*Si se utilizan baterías de litio, el medidor de batería no ofrecerá un valor preciso.



SELECCIÓN DE LAS BATERÍAS CORRECTAS

Este motor funciona con cualquier batería de 12 voltios de plomo ácido, de ciclo profundo o de litio. Mantenga las baterías de plomo ácido totalmente cargadas. Las baterías de litio no se deben guardar totalmente cargadas, sino que se cargarán totalmente justo antes de utilizarse. Tenga en cuenta que un mantenimiento adecuado hará que la batería esté lista siempre que la necesite y prolongará su vida útil. El hecho de no recargar las baterías de plomo ácido (en 12-24 horas) es la principal causa de fallo prematuro de las baterías de este tipo. Para ajustarnos a sus necesidades, ofrecemos una amplia selección de cargadores de plomo ácido. Para el motor Minn Kota EO, se recomienda utilizar baterías aparte.

Aviso relativo a las baterías:

- Nunca conecte los terminales (+) y (-) de la misma batería entre sí. Tenga cuidado de que ningún objeto metálico entre en contacto con la batería produciendo un cortocircuito entre los terminales, ya que esto supondría un grave peligro de ignición.
- Se recomienda particularmente utilizar un disyuntor o un fusible con este motor de pesca. Consulte la “Tabla de tamaños de galgas de conductores y disyuntores” de la sección anterior para localizar el disyuntor o fusible adecuado para su motor. Para los motores que requieran un disyuntor de 60 A, se recomienda el disyuntor Minn Kota MKR-19 de 60 A.

CONEXIÓN DE LAS BATERÍAS

SISTEMAS DE 12 VOLTIOS:

1. Asegúrese de que el motor esté apagado (selector de velocidad en “OFF” o “0”).
2. Conecte el cable rojo positivo (+) al terminal positivo (+) de la batería.
3. Conecte el cable negro negativo (-) al terminal negativo (-) de la batería.
4. Por motivos de seguridad, nunca accione el motor hasta que el propulsor esté en el agua.

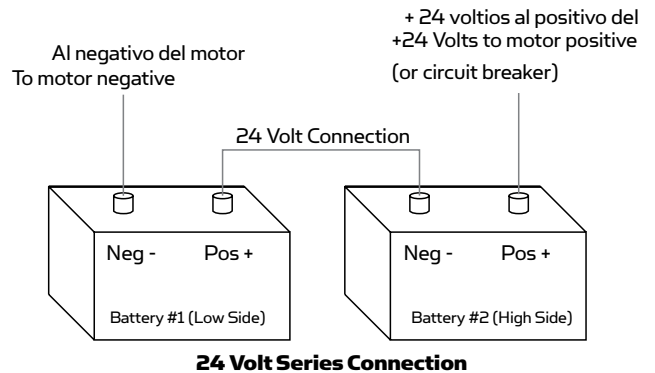
PRECAUCIÓN:

Por motivos de seguridad, desconecte el motor de las baterías cuando no esté en uso o mientras estas se estén cargando.

CONEXIÓN DE LAS BATERÍAS EN SERIE (SI SE NECESITA PARA SU MOTOR)

SISTEMAS DE 24 VOLTIOS:

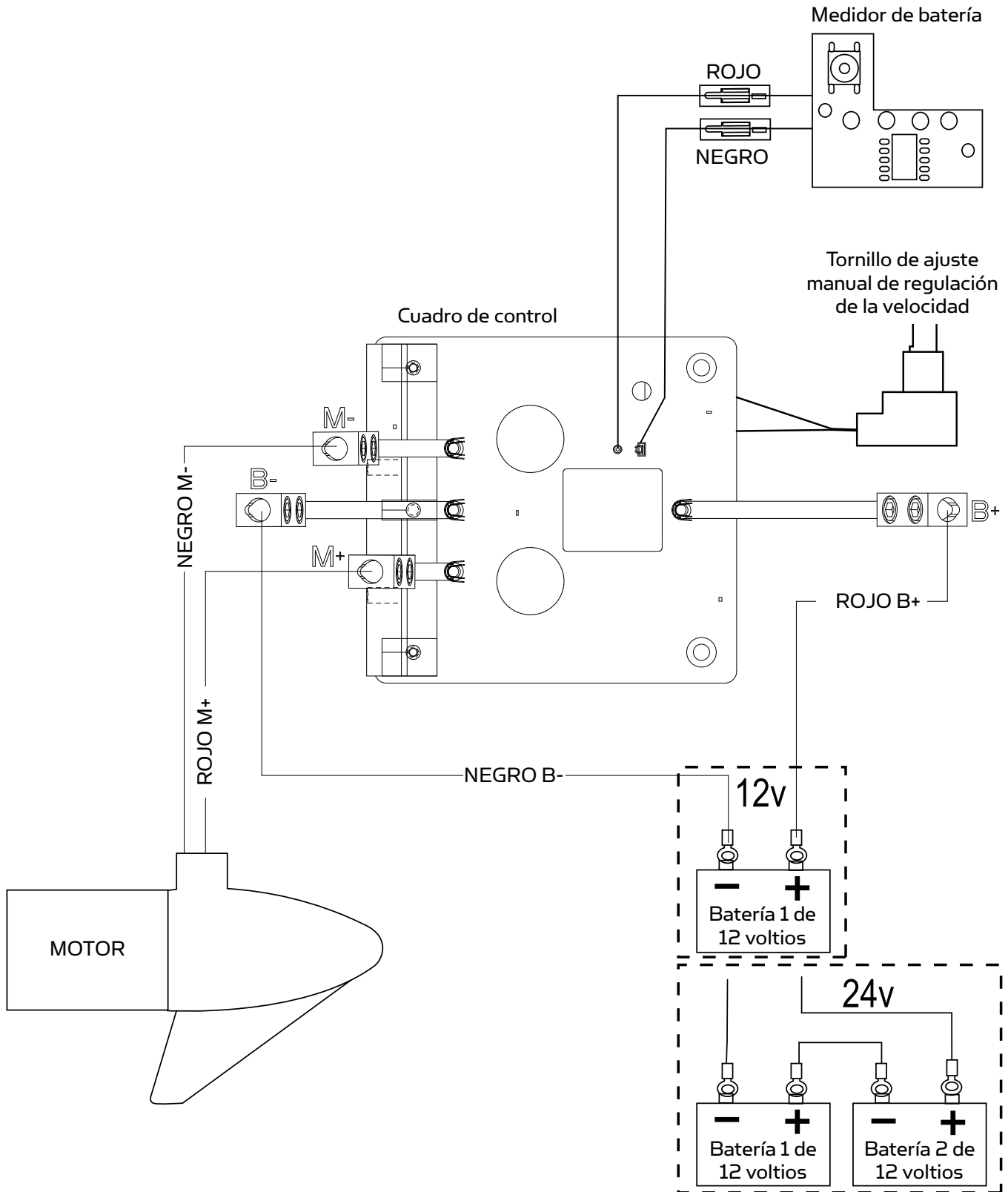
1. Asegúrese de que el motor esté apagado (selector de velocidad en “0”).
2. Se necesitan dos baterías de 12 voltios.
3. Para proporcionar 24 voltios, las baterías deben estar conectadas en serie, como se muestra en la ilustración.
 - a. Conecte un cable al terminal positivo (+) de la batería 1 y al negativo (-) de la batería 2.
 - b. Conecte el cable rojo positivo (+) del motor al terminal positivo (+) de la batería 2.
 - c. Conecte el cable negro negativo (-) del motor al terminal negativo (-) de la batería 1.
4. Por motivos de seguridad, nunca accione el motor hasta que el propulsor esté en el agua. Si se instala un conector de cable de plomo, asegúrese de que la polaridad sea correcta y siga las instrucciones que se indican en el manual del propietario. Consulte el esquema de cableado de las páginas siguientes.



PRECAUCIÓN

- **Por motivos de seguridad, desconecte el motor de las baterías cuando no esté en uso o mientras estas se estén cargando.**
- **El cableado incorrecto de los sistemas de 24/36 voltios podría causar una explosión de la batería.**
- **Asegúrese de que las tuercas de mariposa estén firmemente apretadas en los terminales de la batería.**
- **Sitúe la batería en un compartimento ventilado.**

ESQUEMA DE CABLEADO DEL MOTOR



USO Y AJUSTE DEL MOTOR

AJUSTE DE LA PROFUNDIDAD DEL MOTOR

Al establecer la profundidad, asegúrese de que la parte superior del motor esté sumergida al menos 12 pulgadas (30 cm) para evitar salpicaduras y que se agite la superficie del agua. El propulsor debe estar completamente sumergido.

1. Agarre firmemente el eje compuesto de forma que no se mueva.
2. Afloje el tornillo de ajuste manual de tensión de la dirección y el del collar de profundidad ajustable hasta que el eje se mueva libremente.
3. Suba o baje el motor hasta la posición deseada.
4. Apriete el tornillo de ajuste manual del collar de profundidad para fijar el motor.

CAUTION:

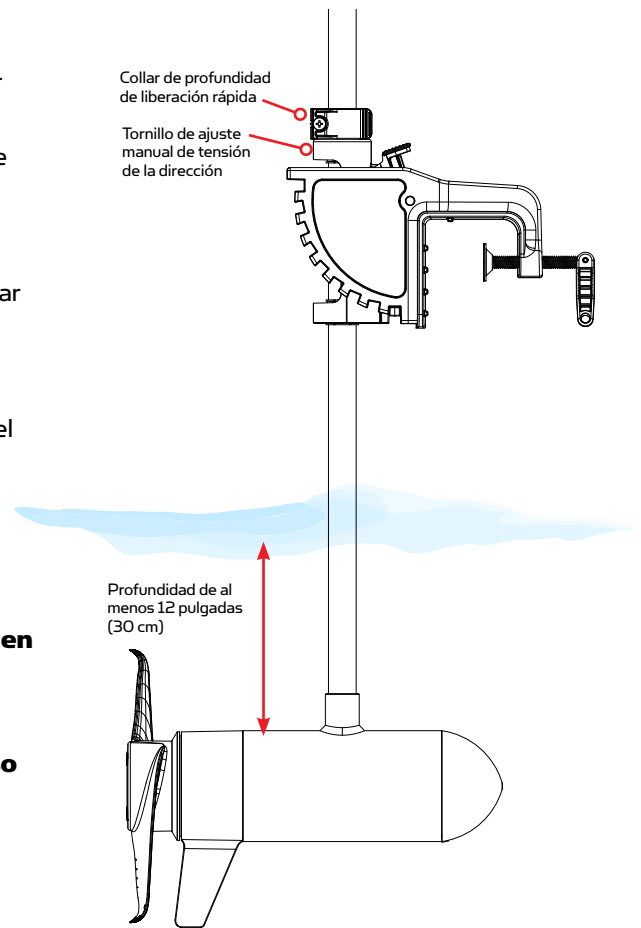
- **No accione nunca el motor fuera del agua.**
- **Si se aprietan en exceso los tornillos de las abrazaderas, pueden producirse daños en el soporte.**
- **Nunca afloje el tornillo de ajuste manual de tensión de la dirección sin antes sujetar firmemente el eje del motor. En caso contrario, el motor se caerá sobre el soporte.**

AJUSTE DE LA DIRECCIÓN

- Ajuste el tornillo de ajuste manual de tensión de la dirección de forma que proporcione una tensión suficiente como para permitir que el motor gire sin problemas, pero manteniéndose en una posición fija sin que haya que sostenerlo manualmente

O

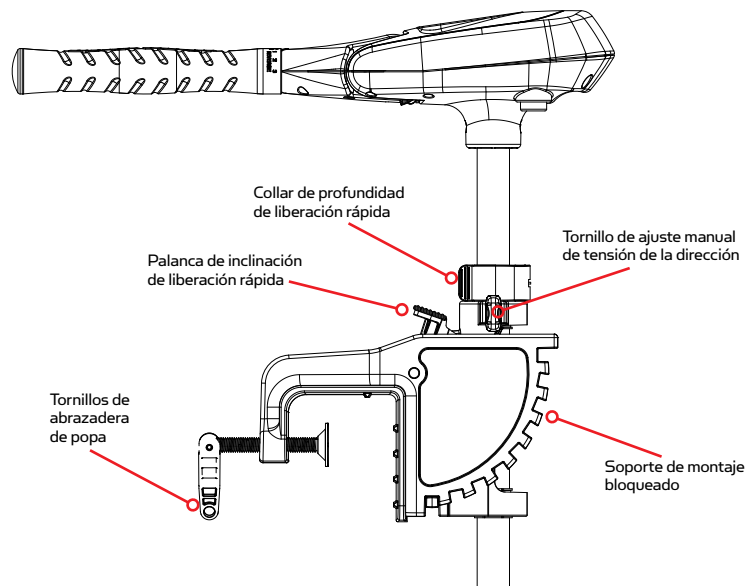
- Apriete el tornillo de ajuste manual para fijar el motor en una posición preestablecida para que pueda utilizar las manos para pescar.



AJUSTE DEL SOPORTE

Puede bloquear el motor en posición vertical, inclinarlo para aguas poco profundas o inclinarlo para sacarlo completamente fuera del agua.

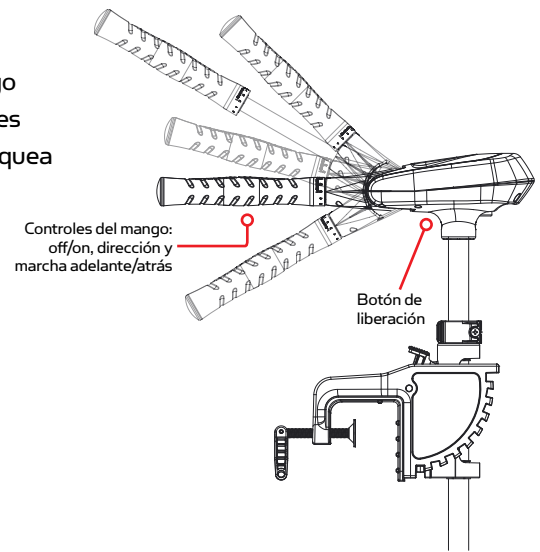
1. Agarre firmemente el cabezal de control o el eje compuesto.
2. Presione la palanca de inclinación hacia el soporte y suéltela para liberar la barra en T para ajustar en la posición del soporte de montaje.
3. Inclínelo a cualquiera de las posiciones del soporte de montaje.
4. Libere la palanca de inclinación.



AJUSTE DEL TILT TWIST TILLER™

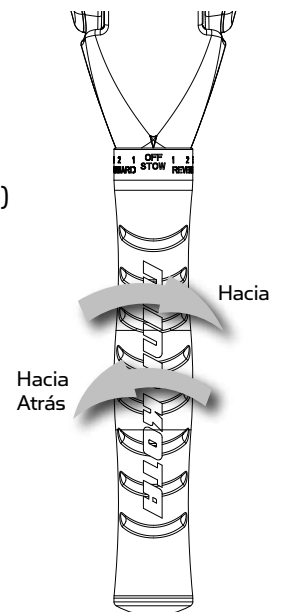
El mango del timón de agarre girado se envía colocado hacia abajo. Tire del mango hacia arriba para subirlo a la posición horizontal. Este mango tiene siete posiciones disponibles: 45°, 30° y 15° hacia arriba y hacia abajo desde 0°. El mango se bloquea en la posición horizontal, pero se puede inclinar hacia abajo pulsando y soltando el botón que se encuentra por debajo del pivote del mango, a la izquierda.

NOTA: ANTES de intentar inclinar el mango hacia abajo, el mango de control de velocidad del motor DEBE estar en la posición OFF/STOW.



CONTROL DE VELOCIDAD Y DIRECCIÓN CON EL TIMÓN

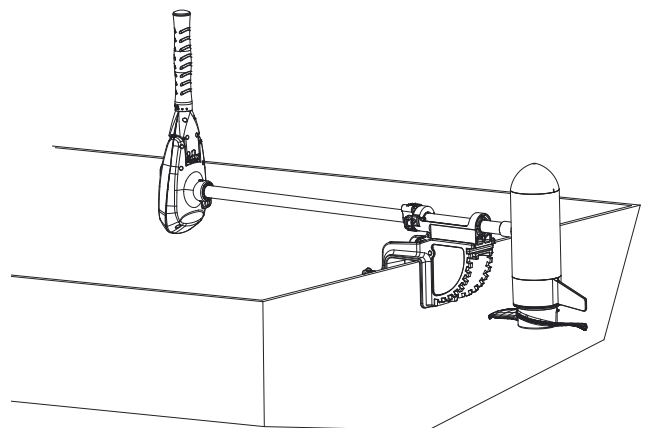
Este motor desarrolla diferentes velocidades de marcha hacia adelante y hacia atrás. El control de velocidad se puede utilizar en cualquiera de las direcciones de marcha, tanto hacia adelante como hacia atrás. Gire el mango del timón en el sentido contrario a las agujas del reloj partiendo de (OFF) para aumentar la velocidad de la marcha atrás y en el sentido de las agujas del reloj partiendo de (OFF) para aumentar la de la marcha hacia adelante. La velocidad se va reduciendo a medida que se acerca a (OFF) desde cualquiera de las direcciones.



GUARDADO DEL MOTOR

1. Ajuste la profundidad de forma que el motor quede totalmente levantado.
2. Mantenga presionada la palanca de inclinación.
3. Incline el motor hacia la embarcación.
4. Para el transporte, incline el motor hacia la embarcación de forma que tanto este como el conjunto del propulsor queden totalmente fuera del agua y el motor quede pegado al soporte de bloqueo de palanca.

ADVERTENCIAS: Al subir o bajar el motor y al accionar el mecanismo de inclinación, mantenga los dedos lejos de las bisagras, de los puntos de pivotación y de cualquier otra pieza móvil.



SERVICIO Y MANTENIMIENTO

CAMBIO DEL PROPULSOR

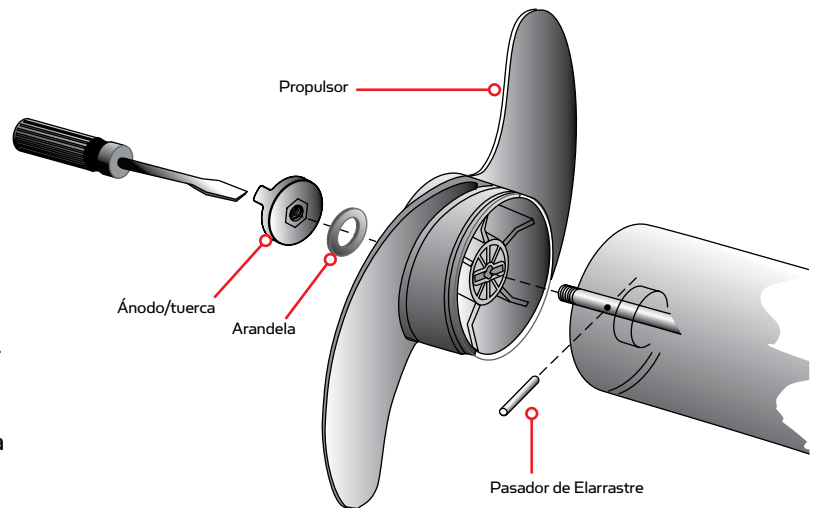
HERRAMIENTAS Y EQUIPAMIENTO NECESARIO:

- Llave de 9/16"

PRECAUCIÓN:

Antes de realizar ninguna tarea de mantenimiento en el propulsor, desconecte el motor de la batería.

NOTA: El propulsor real del motor puede diferir ligeramente del de la ilustración.



1. Antes de cambiar el propulsor, desconecte el motor de la batería.
2. Sujete el propulsor y afloje el ánodo/tuerca con una llave.
3. Retire el ánodo/tuerca y la arandela. Si el pasador de arrastre está roto o deteriorado, deberá fijar el eje valiéndose de la parte plana de un destornillador de forma que ejerza presión sobre la ranura del extremo del eje.
4. Ponga el antiguo propulsor en horizontal (como se muestra en la ilustración) y tire de él hacia afuera. Si se sale el pasador de arrastre, vuelva a introducirlo.
5. Alinee el nuevo propulsor con el pasador de arrastre.
6. Coloque la arandela y el ánodo/tuerca.
7. Apriete el ánodo/tuerca $\frac{1}{4}$ de giro (25-35 pulgadas lb) (de 2,5 a 4 Nm). Procure no apretar en exceso, ya que se podría dañar el propulsor.

MANTENIMIENTO GENERAL

- Después de cada uso, deberá limpiarse el motor con agua del grifo y con un paño humedecido con un spray de silicona con base de agua. No rocíe agua en las aberturas de ventilación del cabezal del motor.
- Para una correcta retracción y despliegue, es necesario limpiar y lubricar el eje compuesto de forma periódica. Un revestimiento con spray de silicona con base de agua mejorará el funcionamiento.
- Después de cada uso, deberán limpiarse los restos orgánicos que hayan podido quedar enganchados en el propulsor. El propulsor puede contener restos de algas o de hilo de pescar, lo que podría dañar el sellado y permitir la entrada de agua en el motor.
- Cada vez que utilice el motor, asegúrese de que la tuerca del propulsor esté bien fijada.
- Para impedir daños accidentales durante el transporte o el almacenamiento, desconecte la batería siempre que el motor esté fuera del agua. Para un almacenamiento prolongado, rocíe todas las piezas de metal con un spray de silicona con base de agua.
- Para maximizar la vida útil de la batería, vuélvala a cargar cuanto antes después de su uso. Para lograr un rendimiento máximo del motor, vuelva a cargar totalmente la batería antes de utilizarla.
- Mantenga limpios los terminales de la batería con una lija suave.
- El propulsor ha sido diseñado para ofrecer un rendimiento óptimo con una alta eficiencia. Para mantener este rendimiento óptimo, el borde frontal de las hélices deberá conservarse en buen estado. En caso de desgaste, puede restaurarlo puliéndolo con una lija fina.

SOLUCIÓN DE PROBLEMAS Y REPARACIÓN

1. El motor no enciende o le falta potencia:
 - Compruebe la polaridad de las conexiones de la batería.
 - Asegúrese de que los terminales estén limpios y no presenten corrosión. Utilice una lija fina para limpiar los terminales.
 - Compruebe el nivel de agua de la batería. Si es necesario, añada agua.
2. El motor pierde potencia al poco tiempo de encenderse:
 - Compruebe la carga de la batería. Si es baja, cárguela.
3. El motor es difícil de dirigir:
 - Afloje el tornillo de ajuste manual de tensión de la dirección del soporte.
 - Lubrique el eje compuesto.
4. Si durante el funcionamiento normal, el propulsor vibra:
 - Retire el propulsor y gírelo 180°. Consulte las instrucciones de retirada en la sección Cambio del propulsor.
5. Interferencias con su dispositivo de detección de peces:
 - En algunos casos, puede que experimente interferencias con su dispositivo localizador de profundidad. Le recomendamos que utilice una batería de ciclo profundo aparte para el motor de pesca y que conecte el localizador de profundidad a la batería de arranque. Si continúa teniendo problemas, llame al departamento del servicio técnico al 1-800-227-6433.

NOTA: Para otros errores de funcionamiento, visite un centro de servicio autorizado. Puede buscar un centro de servicio autorizado en su zona visitando la página correspondiente de nuestro sitio web, minnkotamotors.com. También puede llamar por teléfono al número de asistencia técnica para clientes 800-227-6433.

PARA OBTENER MÁS INFORMACIÓN SOBRE LA REPARACIÓN Y LA SOLUCIÓN DE PROBLEMAS

Ofrecemos diferentes opciones para ayudarle a reparar o solucionar los problemas de su producto. Lea las opciones que se indican a continuación.



PREGUNTAS FRECUENTES

En nuestro sitio web disponemos de una sección de FAQ para ayudarle con cualquier pregunta que pueda tener acerca de Minn Kota. Visite minnkotamotors.com y haga clic en la sección de preguntas frecuentes para encontrar una respuesta a su pregunta.



LLÁMENOS (PARA EE. UU. Y CANADÁ)

Nuestros representantes del servicio de atención al cliente están disponibles de lunes a viernes de 7:00 a.m. a 4:30 p.m. (CST) en el 800-227-6433. Si llama para pedir piezas, tenga a mano el número de serie de 11 caracteres de su producto, los números de pieza de los artículos que desea y la información de su tarjeta de crédito. Esto agilizará su llamada y nos permitirá ofrecerle el mejor servicio posible. Para identificar los números de piezas, consulte la lista de piezas de su manual.



ENVÍENOS UN CORREO ELECTRÓNICO

Puede enviar un correo electrónico a nuestro departamento de servicio al cliente con sus preguntas sobre productos Minn Kota. Para enviar su pregunta, visite minnkotamotors.com y haga clic en la sección de soporte.



CENTROS DE SERVICIO AUTORIZADOS

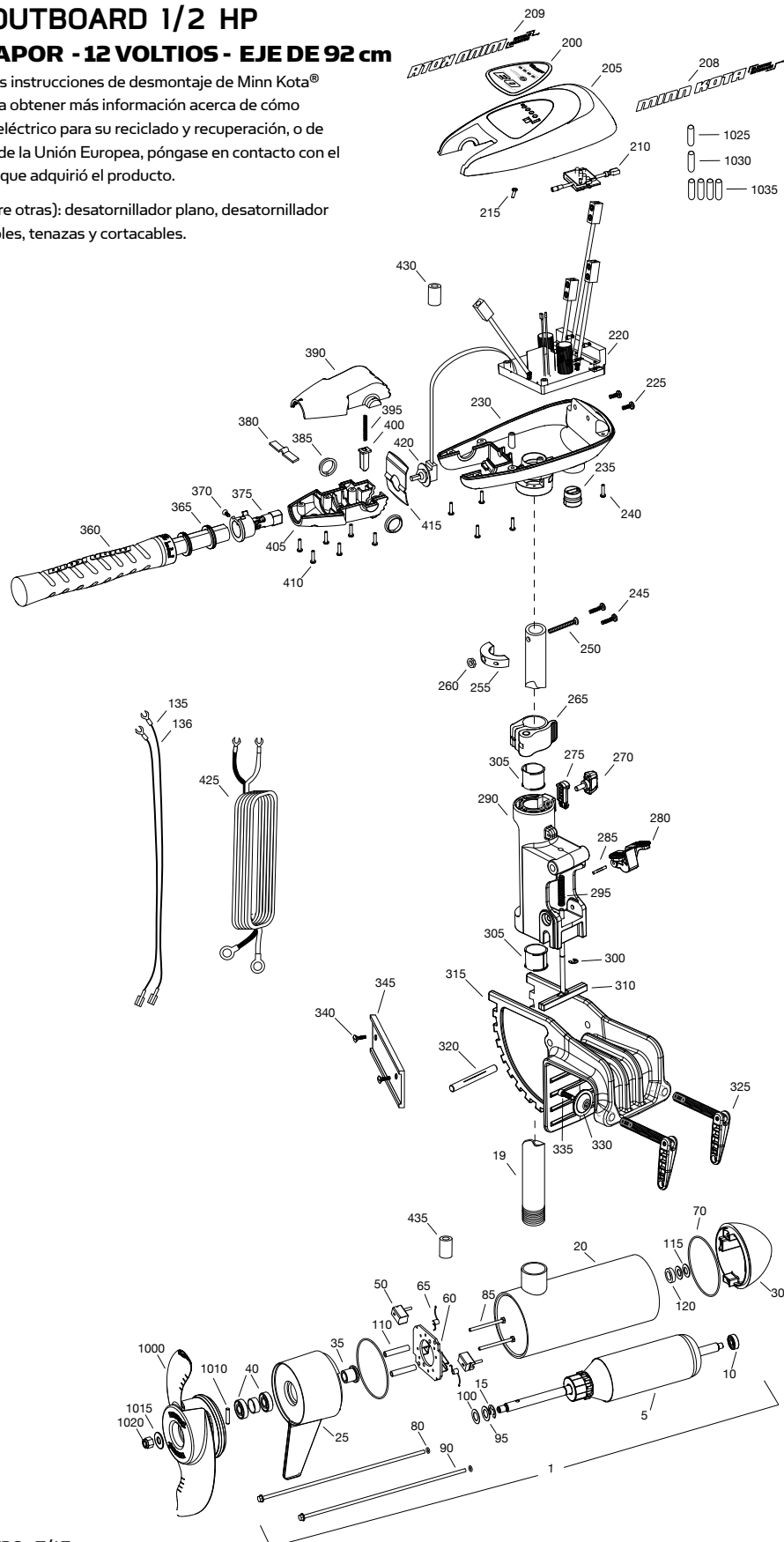
Minn Kota cuenta con más de 300 centros de servicio autorizados en los Estados Unidos y Canadá, en los que podrá comprar piezas o reparar sus productos. Visite nuestra página de centros de servicio autorizados para localizar el más cercano a su zona.

ILUSTRACIÓN DE LAS PIEZAS

EO ELECTRIC OUTBOARD 1/2 HP 1/2 CABALLO DE VAPOR - 12 VOLTIOS - EJE DE 92 cm

En esta página se muestran las instrucciones de desmontaje de Minn Kota® según la Directiva WEEE. Para obtener más información acerca de cómo deshacerse de equipamiento eléctrico para su reciclado y recuperación, o de los requisitos de cada estado de la Unión Europea, póngase en contacto con el proveedor o distribuidor en el que adquirió el producto.

Herramientas necesarias (entre otras): desatornillador plano, desatornillador Phillips, cabezas intercambiables, tenazas y cortacables.



LISTA DE PIEZAS

EO ELECTRIC OUTBOARD 1/2 HP 1/2 CABALLO DE VAPOR - 12 VOLTIOS - EJE DE 92 cm

ELEMENTO	CANTIDAD	NÚMERO DE REFERENCIA	DESCRIPCIÓN
1	1	2316290	MOTOR DE 12 VOLTIOS 4" SW 1/2 CV
5	1	2-100-225	CONJUNTO DE ARMAZÓN
10	1	140-010	COJINETE
15	1	788-040	ANILLO DE RETENCIÓN
19	1	2092000	TUBO (COMPUESTO) DE 92 CM
20	1	2-200-397	CARCASA CENTRAL
25	1	2-300-340	EXTREMO DE CARCASA DE ESCOBILLA
30	1	421-376	CARCASA DE EXTREMO PLANO STD
35	1	144-017	RODAMIENTO CON BRIDA (SOLO SERVICIO)
40	2	880-025	SELLADO
50	2	188-094	ESCOBILLA
60	1	92-600-225	CONJUNTO DE PLACA DE ESCOBILLA 4" 1/2 HP KIT
65	2	975-041	RESORTE DE LA ESCOBILLA
■	1	2889460	KIT DE SELLADO Y JUNTA TÓRICA (40, 70-80)
70	2	701-043	JUNTA TÓRICA, MOTOR
80	2	701-009	JUNTA TÓRICA, PERNO PASANTE
85	2	830-027	TORNILLO, 10-32X1/2"
90	2	830-094	PERNO PASANTE #12-24 X 10,31
95	1	990-051	ARANDELA, ACERO
100	1	990-052	ARANDELA, NYLATRON
110	1	973-025	SEPARADOR, PLACA DE ESCOBILLA
115	1	992-010	ARANDELA, BELLEVILLE
120	2	992-045	SEPARADORES DE EMPUJE
135	1	640-037	CABLE DE PLOMO, NEGRO
136	1	640-137	CABLE DE PLOMO, ROJO
200	1	2095686	PEGATINA DE LA CUBIERTA DE LA CAJA DE CONTROL, SUPERIOR
205	1	2090201	CUBIERTA DE LA CAJA DE CONTROL
208	1	2095688	PEGATINA DE LA CUBIERTA DE LA CAJA DE CONTROL, LATERAL DERECHO
209	1	2095689	PEGATINA DE LA CUBIERTA DE LA CAJA DE CONTROL, LATERAL IZQUIERDA
210	1	2074080	CUBIERTA DE LA CAJA DE CONTROL
215	2	2043427	TORNILLO, #8X7/8 SS
220	1	2884110	CUADRO DE CONTROL
■	1	2888400	KIT DE RECAMBIO DE POTENCIÓMETRO
225	2	2303434	TORNILLO, #8-32 X 5/8 SS
230	1	2092503	CAJA DE CONTROL, VARS, SW
235	1	2062905	LIBERADOR DE TENSIÓN
240	6	2303412	TORNILLO, #6-20 X 5/8 SS
245	2	2263434	TORNILLO, #8-18 X 1 SS
250	1	2263406	TORNILLO, #10-24 X 2" PPH SS
255	1	2061517	COLLAR, CAJA EN C
260	1	2333101	TUERCA, #10-24, NYLOCK, SS
265	1	2991521	CONJUNTO BLOQUEO DE LEVA/ COLLAR DE PROFUNDIDAD

■ ESTA PIEZA FORMA PARTE DE UN CONJUNTO.

*ESTA PIEZA FORMA PARTE DE UN KIT Y SOLO SE MUESTRA A FINES ILUSTRATIVOS.

ELEMENTO	CANTIDAD	NÚMERO DE REFERENCIA	DESCRIPCIÓN
■	1	2991714	CONJUNTO DEL SOPORTE, ALUMINIO (270-335)
270	1	2011366	TORNILLO DE APRIETE MANUAL DEL COLLAR, SS
275	1	2062801	BLOQUE DE TENSIÓN
280	1	2077202	PALANCA DE INCLINACIÓN, SOPORTE DE POPA
285	1	2070512	PASADOR-BISAGRA, 1/8 X 1
290	1	2071863	BISAGRA-SW
295	1	2332700	MUELLE-(BARRA EN T), SS
300	1	2333001	ANILLO EN E, SS
305	2	2037301	ANILLO, BISAGRA
310	1	2073604	BARRA EN T, (REVESTIMIENTO ELÉCTRICO)
315	1	2071947	SOPORTE, FUNDICIÓN EN ARENA SW
320	1	2070514	PASADOR-BISAGRA, 3/8 X 3,5, SS
325	2	2991303	TORNILLOS DE LA ABRAZADERA, CONJUNTO DEL MANGO
330	2	2331700	ARANDELA-TORNILLO DE LA ABRAZADERA, SS
335	2	2263452	TORNILLO, 1/4-20X3/4 SHCS, SS
■	1	2994844	CONJUNTO PARA BOLSA, EXTRUSIÓN PARA POPAEXTRUSION
340	2	2053421	TORNILLO, 1/4-14X1 PFH, SS
345	1	2058415	EXTRUSIÓN PARA POPA
■	1	2990957	CONJUNTO DEL MANGO, VARS (360-410)
360	1	2990456	CONJUNTO DE AGARRE/MANGO, VARS (360-375)
365	2	2060015	COJINETE, MANGO
370	2	2063405	TORNILLO, #6 PFH SS
375	1	2884092	CONJUNTO YUGO/ARAÑA, VARS
380	1	2302742	MUELLE, FRENADO, DESAC
385	2	2060005	COJINETE, PIVOTE DEL MANGO
390	1	2060900	PIVOTE DEL MANGO, SUPERIOR
395	1	2302745	MUELLE, BOTÓN DE LIBERACIÓN
400	1	2063700	BOTÓN, LIBERACIÓN
405	1	2060905	PIVOTE DEL MANGO, INFERIOR
410	6	2303412	TORNILLO, #6-20 X 5/8 SS
415	1	2062715	MUELLE, PIVOTE DEL MANGO
420	1	2061700	ARANDELA, AGARRADERA
425	1	2881402	KIT DE CABLES DE PLOMO (ALIMENTACIÓN) (INCLUYE 235)
430	1	2307316	NÚCLEO DE FERRITA
435	1	2307312	NÚCLEO DE FERRITA
■	1	1378132	KIT DE PROPULSOR WW2 (1000-1020)
1000	1	2331160	PROPULSOR WW2
1010	1	2262658	PASADOR DE ARRASTRE, GRANDE
1015	1	2091701	ARANDELA, PROPULSOR, GRANDE
1020	1	2198401	TUERCA, NYLOCK, PROPULSOR, ÁNODO
1025	1	2305415	TUBO RETRÁCTIL
1030	1	2305410	TUBO RETRÁCTIL
1035	4	2095400	TUBO RETRÁCTIL

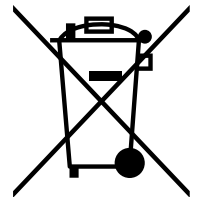
DECLARACIONES DE CONFORMIDAD

DECLARACIÓN DE CUMPLIMIENTO CON LOS REQUISITOS MEDIOAMBIENTALES:

En JOME estamos comprometidos con el cumplimiento responsable de nuestros deberes legales y de toda la normativa aplicable en materia medioambiental, así como con la convivencia sostenible en las comunidades en las que fabricamos o vendemos nuestros productos.

DIRECTIVA WEEE:

La Directiva 2002/96/EC “Waste of Electrical and Electronic Equipment Directive (WEEE)” afecta a la mayor parte de los distribuidores, vendedores y fabricantes de productos electrónicos de consumo de la Unión Europea. La Directiva WEEE obliga al fabricante de productos electrónicos de consumo a asumir la responsabilidad del tratamiento de los residuos de sus productos para desecho responsable en términos medioambientales durante todo el ciclo de vida del producto. Es posible que la Directiva WEEE para equipos eléctricos y electrónicos (EEE) no sea de obligado cumplimiento en su jurisdicción o que no sea aplicable para EEE diseñados para instalarse de forma fija o temporal en vehículos de transporte, como automóviles, aeronaves o embarcaciones. En algunos estados miembros de la Unión Europea, estos vehículos se consideran fuera del ámbito de esta Directiva, por lo que no es de obligado cumplimiento para dicho EEE.



Este símbolo (un contenedor con ruedas WEEE) en un producto indica que no se puede desechar con otros desperdicios domésticos. Debe desecharse y recogerse para el reciclado de desechos de EEE. Johnson Outdoors Inc. marca todos los productos de EEE según la Directiva WEEE. Nuestro objetivo es cumplir con todas nuestras obligaciones en materia de recogida, tratamiento, recuperación y desecho de estos productos de forma respetuosa con el medio ambiente; sin embargo, estos requisitos varían dentro de los diferentes estados de la Unión Europea. Para obtener más información acerca de cómo deshacerse de equipamiento eléctrico para su reciclado y recuperación, o de los requisitos de cada estado de la Unión Europea, póngase en contacto con el proveedor o distribuidor en el que adquirió el producto.

DESECHO:

Los motores Minn Kota no están sujetos a la regulación EAG-VO (directiva sobre dispositivos eléctricos) que implementa la Directiva WEEE. No obstante, no se deshaga de este motor Minn Kota echándolo a la basura doméstica, sino en un lugar debidamente habilitado de su ciudad.

No tire nunca las baterías a la basura doméstica. Cumpla en todo momento con las instrucciones de desecho del fabricante o de su representante desechando este tipo de productos en un lugar debidamente habilitado de su ciudad.

ADVERTENCIAS: Este producto contiene componentes químicos reconocidos por el Estado de California como cancerígenos o que pueden ocasionar malformaciones en el feto o afectar a la capacidad reproductiva.

ACCESORIOS RECOMENDADOS

CARGADORES DE BATERÍAS PORTÁTILES

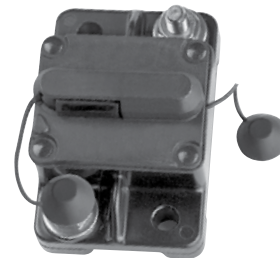
Lleve la acción hasta el mismo barco. Nuestros cargadores portátiles le permiten cargar baterías en múltiples situaciones, con lo que puede pasar más tiempo en el agua. Además, han sido diseñados para prolongar la vida útil de las baterías.



MK110P

DISYUNTOR DE 60 A

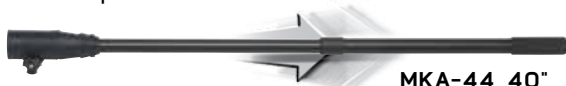
Protege el motor de pesca de posibles daños eléctricos. 60 A con restablecimiento manual. Totalmente resistente al agua. Compatible con todos los sistemas de 12, 24 y 36 voltios.



MKR-19

MANGOS DE EXTENSIÓN TELESCÓPICA

Basta con girarlo para aflojar, ajustar o apretar los mangos de extensión. Pase de 17" a 25" (MKA-43) o de 24" a 40" (MKA-44) y disfrute de una mayor velocidad y de un control total sobre la dirección en cualquier situación. Se ajusta a cualquier motor de pesca o fueraborda.



MKA-44 40"

MANGOS DE EXTENSIÓN

Permiten un mayor control de la velocidad y la dirección para todos los motores de control manual. Disponible en 18" (MKA-18) o en modelos extra largos de 30" (MKA-7).



MKA-7

CENTRO DE ALIMENTACIÓN DE BATERÍAS

En embarcaciones pequeñas y aplicaciones en popa, sus terminales de batería externos de fácil acceso permiten la conexión entre los cables de motores para pesca y el cargador sin necesidad de abrir la caja. Su medidor de batería integrado incluye dos conectores accesorios de 12 voltios, así como dos disyuntores de restablecimiento manual (10 A para los conectores accesorios y 60 A para el motor de pesca). Se ajusta a baterías de tamaño 24 y 27.



CONECTORES DE BATERÍAS

Su diseño patentado es ideal para la instalación de baterías en espacios pequeños y de difícil acceso. Se desconectan rápidamente, con lo que la carga es más cómoda. Su cubierta de plástico elimina el riesgo de descarga eléctrica.



MK-BC-1

Para obtener un listado completo de los accesorios de Minn Kota, visite minnkotamotors.com

Síguenos:



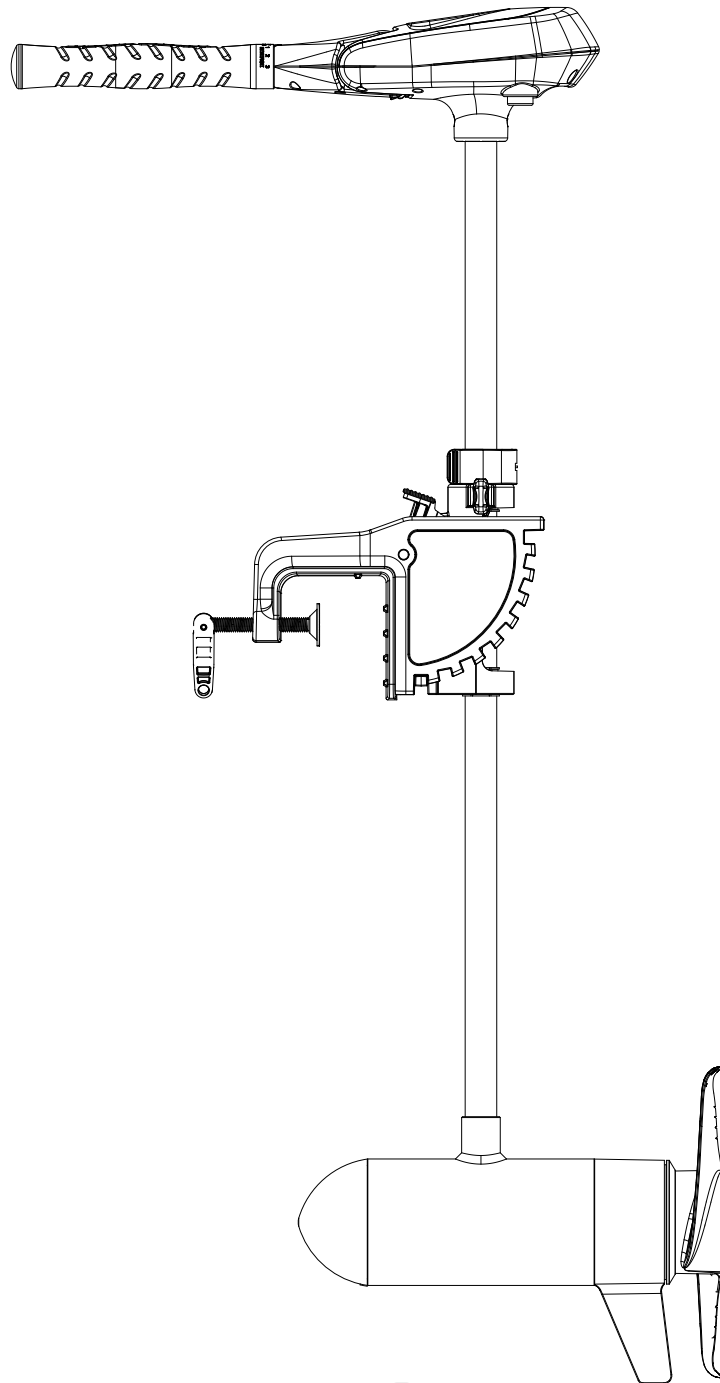
minnkotamotors.com

Minn Kota Consumer & Technical Service
Johnson Outdoors Marine Electronics, Inc.
PO Box 8129
Mankato, MN 56001

121 Power Drive
Mankato, MN 56001
Phone (800) 227-6433
Fax (800) 527-4464



©2015 Johnson Outdoors Marine Electronics, Inc.
Todos los derechos reservados



EO

**HECKSPIEGEL - ANBRINGEN EINES
ELEKTRISCH AUSSENLIEGENDEN MOTORS**

BEDIENUNGSANLEITUNG

CE VORLAGE FÜR BETRIEBUNGSANLEITUNGEN (FÜR CE/C-TICK ZUGELASSENE MODELLE) GEMÄSS 89/336/EEC (EMC) UNTER DER EINHALTUNG DER STANDARDS EN 55022A, EN 50082-2 SEIT 1996 LN V9677264

VIELEN DANK

Vielen Dank, dass Sie sich für Minn Kota entschieden haben. Wir glauben, dass Sie mehr Zeit mit Fischen und weniger Zeit mit der Positionierung Ihres Bootes verbringen sollten. Darum haben wir die intelligentesten, härtesten und intuitivsten Motoren für das Wasser gebaut. Jeder Aspekt eines Minn Kota Motors ist durchdacht und wieder durchdacht, bis er gut genug ist, unseren Namen zu tragen. Unzählige Stunden Forschung und Tests liefern Ihnen den Minn Kota Vorteil, der Sie wirklich „jederzeit überall“ hinbringt. Wir glauben nicht an Abkürzungen. Wir sind Minn Kota. Und wir hören nicht auf damit, Ihnen dabei zur Seite zu stehen, mehr Fische zu fangen.

VERGESSEN SIE NICHT IHREN KAUFBELEG AUFZUBEWAHREN UND IHREN MOTOR SOFORT ZU REGISTRIEREN.

Eine Registrierungskarte ist hier beigelegt oder Sie können die Registrierung auf unserer Webseite unter minnkotamotors.com durchführen.

DHINWEIS: Geben Sie Ihren Minn Kota Motor nicht an Ihren Händler zurück. Ihr Händler ist nicht dazu autorisiert, diese Einheit zu reparieren oder zu ersetzen. Sie erhalten Ihren Kundendienst wie folgt: rufen Sie Minn Kota unter +1 800 227-6433 an; bringen Sie Ihren Motor zum Minn Kota Service Center zurück; senden oder bringen Sie Ihren Motor zu einem beliebigen autorisierten Minn Kota Service Center. Eine Liste der autorisierten Service Center finden Sie auf unserer Webseite: minnkotamotors.com. Bitte legen Sie einen Nachweis für Ihren Kauf, die Seriennummer und das Kaufdatum für die Garantieleistung bei jeder der oben genannten Möglichkeiten bei. .

Bitte lesen Sie diese Bedienungsanleitung gründlich durch. Befolgen Sie alle Gebrauchsanweisungen und beachten Sie alle untenstehenden Sicherheits- und Vorsichtshinweise. Die Nutzung dieses Motors ist nur Personen gestattet, die diese Gebrauchsanweisung für den Benutzer gelesen und verstanden haben. Minderjährige dürfen diesen Motor nur unter der Aufsicht eines Erwachsenen benutzen.

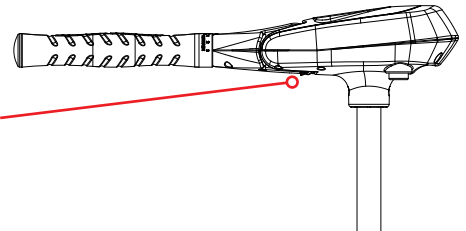
ACHTUNG: Lassen Sie den Motor niemals außerhalb des Wassers laufen, da dies zu Verletzungen durch die Antriebschraube führen kann. Der Motor sollte ohne Verbindung zu einer Antriebsquelle sein, wenn er nicht in Gebrauch ist oder sich außerhalb des Wassers befindet. Wenn Sie die Stromkabel des Motors an die Batterie anschließen, stellen Sie sicher, dass diese nicht geknickt liegen oder einem Abscheuern unterliegen und verlegen Sie diese in einer Weise, dass Personen nicht darüber stolpern. Bevor Sie den Motor nutzen, stellen Sie sicher, dass die Isolation der Stromkabel nicht beschädigt ist. Die Nichtbeachtung dieser Vorsichtsmaßnahmen kann zu elektrischen Kurzschlüssen der Batterie(n) und/oder des Motors führen. Ziehen Sie immer den Stecker von der/den Batterie/n, bevor Sie den Propeller reinigen oder überprüfen. Vermeiden Sie es, den kompletten Motor unter Wasser zu tauchen, da sonst Wasser durch den Kontrollkopf und -schaft in die untere Einheit fließt. Es kann erheblicher Schaden am Motor entstehen, wenn der Motor angestellt wird, während sich Wasser in der unteren Einheit befindet. Dieser Schaden ist nicht durch die Garantie abgedeckt.

ACHTUNG: Achten Sie darauf, dass weder Sie noch andere Personen sich dem sich drehenden Propeller nähern, weder mit Körperteilen noch mit Objekten. Der Motor ist sehr kraftvoll und kann Sie oder andere verletzen oder in Gefahr bringen. Passen Sie auf schwimmende Personen und im Wasser treibende Gegenstände auf, wenn der Motor läuft. Es ist Personen, deren Fähigkeit, einen Motor zu bedienen, oder deren Reaktionsfähigkeit durch Alkohol, Drogen, Medikamente oder andere Substanzen beeinträchtigt ist, verboten, den Motor zu benutzen. Der Motor eignet sich nicht für die Nutzung bei starker Strömung. Das konstante Geräuschdruckniveau des Motors während des Gebrauches ist kleiner als 70 dB (A). Das gesamte Vibrationsniveau übersteigt nicht 2,5 m/sec².

LOKALISIERUNG IHRER SERIENNUMMER

Ihre elfstellige Minn Kota Seriennummer ist sehr wichtig. Sie hilft dabei, das spezifische Modell und Fabrikationsjahr zu bestimmen. Wenn Sie den Kundendienst kontaktieren oder Ihr Produkt registrieren, brauchen Sie dazu die Seriennummer Ihres Produktes. Wir empfehlen Ihnen, die Seriennummer in dem Feld unten einzutragen, sodass Sie sie für zukünftige Fälle parat haben.

Die Seriennummer Ihrer EO befindet sich unter der Steuerpinne.



Modell: _____

Seriennummer: _____

Kaufdatum: _____

Verkaufshändler: _____

INHALTSVERZEICHNIS

Zweijahresgarantie	58
Eigenschaften	59
Installation	60
Batterieverdrahtung und Installation	61-62
Boot Takelage und Produktinstallation	61
Größentabelle für Leitungsquerschnitt und Schutzschalter	61
Push-to-Test Batteriemessinstrument	61
Die richtigen Batterien auswählen	62
Anschluss der Batterien	62
Motorbaus Schaltplan	63
Den Motor Verwenden und Justieren	64-65
Einstellen der Tiefe des Motors	64
Einstellung der Lenkung/Steuerung	64
Einstellung der Halterung	64
Einstellung des „Tilt Twist Tiller“™	65
Geschwindigkeitskontrolle und Steuerung mit der Ruderpinne	65
Verstauen des Motors	65
Service und Wartung	66
Propeller Ersatz	66
Allgemeine Wartung	66
Fehlersuche und Reparatur	67
Teilediagramm	68
Stückliste	69
Compliance Erklärungen	70
Aufzeichnungen	71

ZWEIJAHRESGARANTIE

GARANTIE AUF ELEKTRISCHE AUSSENBORDMOTOREN VON MINN KOTA

Johnson Outdoors Marine Electronics, Inc. („JOME“) verlängert die folgende begrenzte Garantie nur für den ursprünglichen Ersterwerber. Die Garantiedeckung ist nicht übertragbar.

BEGRENZTE ZWEIJÄHRIGE GARANTIE VON MINN KOTA AUF DAS GESAMTPRODUKT

JOME garantiert dem ursprünglichen Ersterwerber nur, dass der neue Primärtriebmotor von Minn Kota im Wesentlichen innerhalb von zwei Jahren nach dem Kaufdatum frei von auftretenden Fehlern beim Material und in der Verarbeitung bleibt. JOME wird (nach seiner Wahl) jegliche Teile, die von JOME als defekt innerhalb der Garantiezeit vorgefunden werden, kostenlos entweder reparieren oder ersetzen. Eine solche Reparatur oder Ersatz ist die einzige und ausschließliche Haftung von JOME und das einzige und ausschließliche Rechtsmittel des Käufers für die Verletzung dieser Garantie.

MINN KOTA BEGRENZTE LEBENSZEITGARANTIE AUF DEN VERBUNDSCHAFT

JOME garantiert dem ursprünglichen Ersterwerber nur, dass der Verbundschacht des Minn Kota Motors des Käufers innerhalb der Lebenszeit des ursprünglichen Ersterwerbers frei von auftretenden Fehlern beim Material und in der Verarbeitung bleibt. JOME stellt kostenlos einen neuen Verbundschacht für jeden Verbundschacht zur Verfügung, bei dem JOME Fehler während dieser Garantielaufzeit entdeckt. Die Bereitstellung eines neuen Verbundschachts ist die einzige und ausschließliche Haftung von JOME und das einzige und ausschließliche Rechtsmittel des Käufers für die Verletzung dieser Garantie; **der Käufer ist außerdem verantwortlich für die Installation oder die Arbeitskosten für die Installation für jeden neuen Verbundschacht, den JOME zur Verfügung stellt.**

AUSSCHLÜSSE UND BESCHRÄNKUNGEN

Diese begrenzte Garantie ist nicht auf Produkte anzuwenden, die bereits kommerziell oder zu Vermietungszwecken genutzt wurden. Diese begrenzte Garantie deckt nicht die normale Abnutzung durch Gebrauch, die nicht den Betrieb des Produktes beeinflussen, oder Beschädigung ab, die durch Unfälle, Missbrauch, Veränderungen, Modifizierungen, Versandbeschädigungen, höhere Gewalten, Nachlässigkeit des Benutzers oder durch Fehlanwendung, unsachgemäße oder unzulängliche Pflege oder Wartung verursacht werden. **BESCHÄDIGUNGEN, DIE DURCH DEN GEBRAUCH VON ANDEREN ERSATZTEILEN VERURSACHT WERDEN, DIE NICHT DEN DESIGN-SPEZIFIKATIONEN DER URSPRÜNGLICHEN TEILE ENTSPRECHEN, WERDEN DURCH DIESE BEGRENZTE GARANTIE NICHT ABGEDECKT.** Die Kosten der normalen Wartung oder der Ersatz von Teilen, die keinen Bruch der begrenzten Garantie darstellen, unterliegen der Verantwortung des Käufers. Bevor die Produkte genutzt werden, stellt der Käufer die Eignung der Produkte für den beabsichtigten Gebrauch fest und nimmt alle in Verbindung stehende Gefahr und Haftung dafür an. Jede mögliche Unterstützung, die JOME außerhalb der Bedingungen, Beschränkungen oder Ausschlüsse dieser begrenzten Garantie zur Verfügung stellt oder für den Käufer erwirbt, begründet keinen Verzicht auf die Bedingungen, Einschränkungen oder Ausschlüsse, noch führt eine solche Unterstützung zu einer Verlängerung oder Neubelebung der Garantie. JOME ersetzt dem Käufer keinerlei Kosten, die dem Käufer durch die Reparatur, Korrektur oder den Ersatz jeglicher defekter Produkte oder Teile entstehen, außer denen, zu denen JOME vorher schriftlich sein Einverständnis gegeben hat. **JOME'S GESAMTE VERBINDLICHKEIT IN BEZUG AUF DIE ABGEDECKTEN PRODUKTE WIRD AUF EINE MENGE BEGRENZT, DIE DEM URSPRÜNGLICHEN KAUFPREIS DES KÄUFERS GLEICHGESETZT IST, DER FÜR EIN SOLCHES PRODUKT GEZAHLT WIRD.**

MINN KOTA SERVICE-INFORMATIONEN

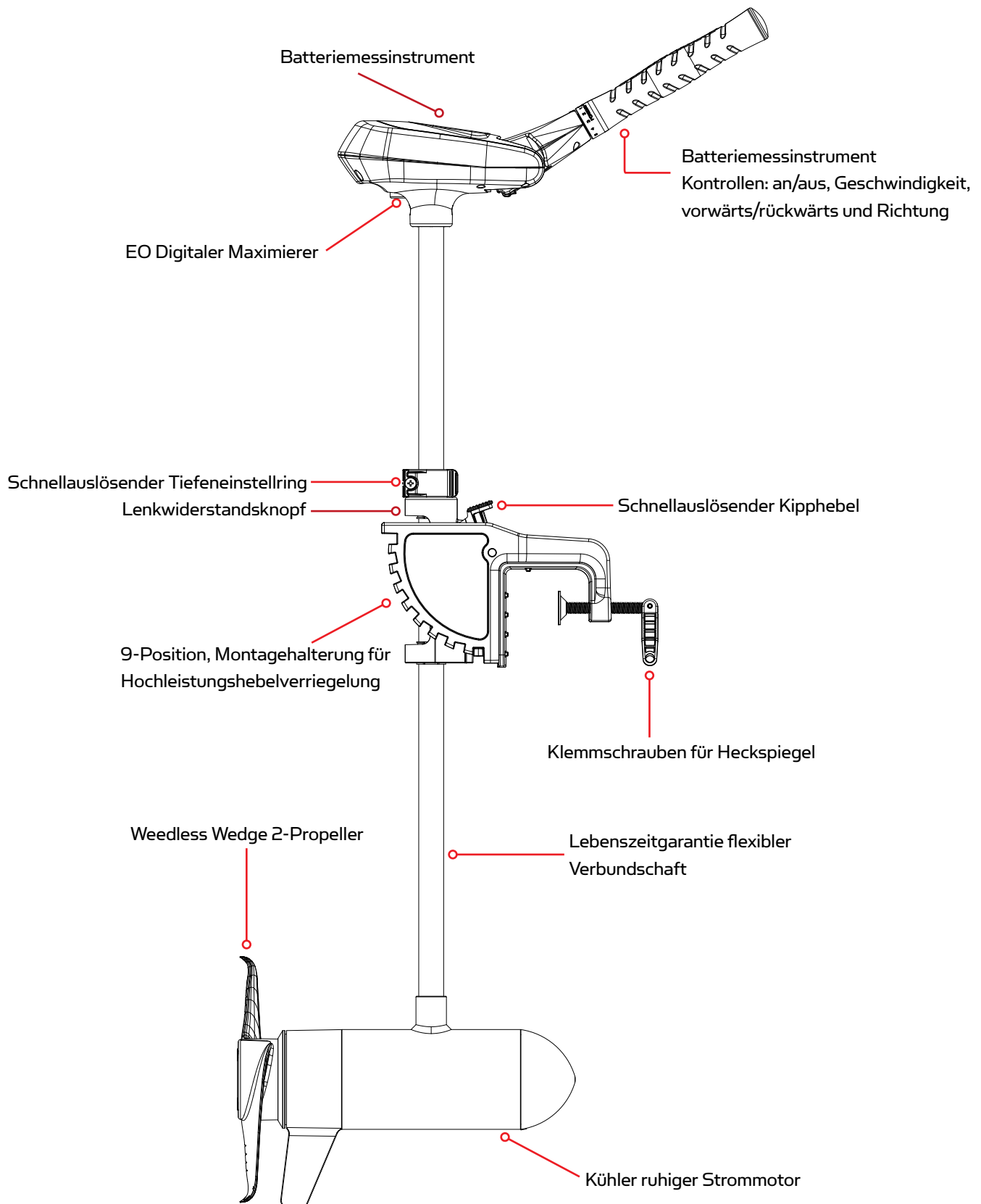
Um Garantieservice in den USA zu erhalten, muss das Produkt von dem angenommen werden, dass es defekt ist, sowie der Nachweis des ursprünglichen Erwerbs (einschließlich Datum des Erwerbs), einem Minn Kota autorisierten Service Center oder dem Minn Kota Fabrikservice in Mankato, Mangan vorgelegt werden. Alle mögliche Kosten, die für den Wartungsbesuch, Transport oder für den Versand/die Fracht von/zu dem autorisierten Minn Kota Service Center oder der Fabrik entstehen, die Arbeitskosten für das Abschleppen, für die Entfernung, Installation oder den Wiedereinsatz des Produkts, die für den Garantieservice entfernt wurden oder beliebige andere ähnliche Punkte, unterliegen der alleinigen und exklusiven Verantwortlichkeit des Käufers. Produkte, die außerhalb der USA erworben wurden, müssen per Vorauszahlung mit dem Nachweis des Erwerbs (einschließlich dem Datum des Erwerbs und der Seriennummer) zu jedem möglichen autorisierten Minn Kota Service Center im Käuferstaat zurückgeschickt werden. Garantieleistung kann ausgemacht werden, indem ein autorisiertes Minn Kota Service Center kontaktiert wird oder indem das Werk unter +1 800-227-6433 oder per E-Mail unter service@minnkotamotors.com kontaktiert wird. **Die reparierten oder ersetzten Produkte unterliegen für den Rest der ursprünglichen Garantieperiode der Garantie [oder für 90 Tage nach Reparatur oder des gewährleisteten Wiedereinbaus, je nachdem, welches länger ist]. Für jedes zur Garantieleistung zurückgegebene Produkt, bei dem JOME feststellt, dass es nicht durch diese begrenzte Garantie abgedeckt ist oder diese nicht gebrochen wurde, wird eine Gebührenrechnung für die Dienstleistungen erstellt, die mit den vorherrschenden Arbeitskosten berechnet werden, mindestens aber für eine Stunde.**

HINWEIS: Bringen Sie Ihr Minn Kota Produkt nicht zu Ihrem Fachhändler zurück. Ihr Fachhändler ist nicht dazu autorisiert, Produkte zu reparieren oder zu ersetzen.

ES GIBT KEINE ANDEREN AUSDRÜCKLICHEN GARANTIE, ALS DIESE BEGRENZTEN GARANTIE. AUF KEINEN FALL GELTEN JEGLICHE MÖGLICHEN IMPLIZIERTEN GARANTIE, EINSCHLIESSLICH DER FÜR JEGLICHE IMPLIZIERTEN GARANTIE DER MARKTGÄNGIGKEIT ODER DER EIGNUNG ZU BESTIMMTEN ZWECKEN, ÜBER DIE DAUER DER RELEVANTEN AUSDRÜCKLICHEN BEGRENZTEN GARANTIE HINAUS. IN KEINEM FALL IST JOME FÜR STRAFRECHTLICHE, INDIREKTE, FOLGE- ODER BESONDERE SCHÄDEN HAFTBAR. Ohne das Vorherstehende einzuschränken, übernimmt JOME keine Verantwortung für den Nutzungsverlust des Produktes, Zeitverlust, Unannehmlichkeit oder andere Schäden.

Einige Staaten erlauben keine Beschränkungen der Dauer einer implizierten Garantie oder den Ausschluss oder die Beschränkung der Neben- oder Folgeschäden. Es kann also sein, dass die oben genannten Beschränkungen und/oder Ausschlüsse möglicherweise nicht auf Sie anzuwenden sind. Diese Garantie gibt Ihnen spezifische verbrieft Rechte und Sie können auch andere verbrieft Rechte besitzen, die sich von Staat zu Staat verändern.

EIGENSCHAFTEN



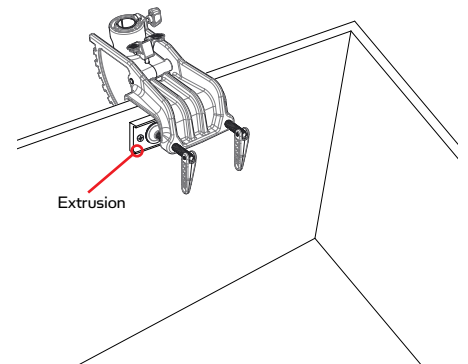
Spezifikationen können sich ohne Benachrichtigung ändern.

Dieses Diagramm ist nur eine Referenz und kann sich von Ihrem tatsächlichen Motor unterscheiden.

INSTALLATION

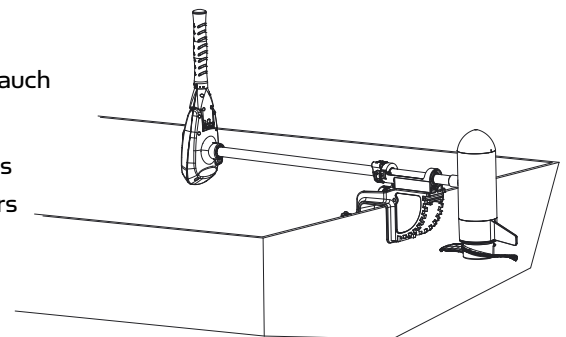
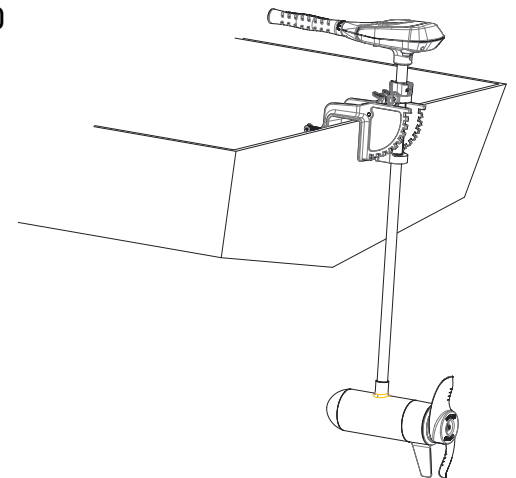
INSTALLATION DES MOTORS

1. Finden Sie einen Bereich im Heckspiegel, der frei von Behinderungen ist.
2. Öffnen Sie die Klemmschrauben an der Halterung weit genug, dass sie über die Oberseite des Heckspiegels des Bootes passt. Place the Lever Lock Mounting bracket over the top of the boat transom so that the bracket is resting on top of the transom.
3. Platzieren Sie die Hebelverriegelung der Montagehalterung auf der Oberseite des Heckspiegels, damit der Haltewinkel auf dem Heckspiegel stillsteht. Tighten down the clamp screws to the transom by hand only. Do not use any tools to tighten the clamp screws as this may damage the bracket or your boat.
4. Verifizieren Sie, dass es keine Hindernisse gibt, die die Kontrollbox, den Handgriff oder die Strebe während der Nutzung treffen könnten, und so die Steuerung beeinträchtigen oder dem Motor Schaden zufügen könnten.



EXTRUSIONSINSTALLATION AM HECKSPIEGEL (TEILENUMMER 2994844)

- a. Befestigen Sie den Motor im Heckspiegel mit zurückgezogenen Klemmschrauben.
 - b. Schieben Sie die Extrusion zwischen die Innenseite des Heckspiegels und den Dichtungsringen der Klemmschrauben und ziehen Sie die Klemmschrauben an.
 - c. Befestigen Sie die Extrusion am Heckspiegel mit den zwei zur Verfügung gestellten Schrauben. Dies erfordert das Bohren von zwei entsprechend großen Vorbohrungen für die Gewindeschneidschrauben.
5. Ziehen Sie die Klemmschrauben zum Heckspiegel nur von Hand an. Verwenden Sie keinerlei Werkzeug, um die Klemmschrauben anzuziehen, da dies die Halterung oder Ihr Boot beschädigen könnte.
 6. Wir empfehlen Ihnen, den Kippwinkel des Motors einzustellen, damit der Antriebsschaft zur Wasseroberfläche senkrecht ist, wenn der Motor in Gebrauch ist.
 7. Kippen Sie den Motor immer in das Boot, wenn Sie es transportieren, sodass der Motor und die Strebenanordnung sich vollständig außerhalb des Wassers befinden und der Motor nahe an der Halterung der Hebelverriegelung positioniert ist.



HINWEIS: Wenn Sie die Tiefe einstellen, seien Sie sicher, dass die Oberseite des Motors mindestens 12" (30,5 cm) beträgt, um Aufwühlung oder Unruhe der Oberflächenwasser zu vermeiden. Der Propeller muss vollständig eingetaucht sein.

ACHTUNG:

- **Benutzen Sie den Motor niemals außerhalb des Wassers.**
- **Das zu feste Anziehen der Klemmschrauben kann die Halterung beschädigen.**

BATTERIEVERDRAHTUNG UND INSTALLATION

BOOT TAKELAGE UND PRODUKTINSTALLATION

Aus Sicherheits- und Compliancegründen empfehlen wir Ihnen, dass Sie die „American Boat and Yacht Council (ABYC)“-Standards einhalten, wenn Sie Ihr Boot ausstatten. Das Ändern der Bootverdrahtung sollte von einem qualifizierten Marinetechniker durchgeführt werden. Die folgenden Spezifikationen stellen nur allgemeine Richtlinien dar:

ACHTUNG: Diese Anleitung ist auf allgemeine Takelage anzuwenden, um Ihren Minn Kota Motor zu unterstützen. Mehrere Motoren oder zusätzliche elektrische Vorrichtungen von dem gleichen Energiestromkreis aus mit Energie zu versorgen, kann sich auf den empfohlenen Leitungsquerschnitt und die Schutzschaltergröße auswirken. Wenn Sie ein längeres Kabel benutzen, als das, das mit Ihrer Einheit mitgeliefert wurde, folgen Sie der Größentabelle für den Leitungsquerschnitt und die Schutzschaltergröße unten. Wenn Ihre Leitungsverlängerung mehr als 25 Fuß (7,6 m) beträgt, empfehlen wir Ihnen, dass Sie mit einem qualifizierten Marinetechniker in Verbindung treten.

Es muss eine Stromschutzvorrichtung (Schutzschalter oder Sicherung) benutzt werden. Die Anforderungen der Küstenwacheschreiben vor, dass jeder nicht geerdete stromführende Leiter durch einen manuellen Reset- oder Stopperschutzschalter oder eine Sicherung geschützt werden muss. Der Typ (Spannung und Nennstrom) der Sicherung oder des Schutzschalters muss entsprechend dem benutzten Elektromotor ausgelegt werden. Die Tabelle unten gibt empfohlene Richtlinien für die Größe des Schutzschalters.

Verweis:

United States Code of Federal Regulations: 33 CFR 183 – Boats and Associated Equipment (Boote und dazugehörige Ausrüstung)
ABYC E-11: AC and DC Electrical Systems on Boats (Elektrische Systeme auf Booten)

GRÖSSENTABELLE FÜR LEITUNGSQUERSCHNITT UND SCHUTZSCHALTER

Motorschub / Model	Maximale Ampereleistung	Schutzschalter	Länge der Kabelverlängerung *				
			1.5 m	3 m	4.5 m	6 m	7.5 m
EO 1/2 HP	52	60 Amp @ 12 VDC	16 mm ²	35 mm ²	50 mm ²	50 mm ²	NICHT EMPFOHLEN
EO 1 HP	45	50 Amp @ 24 VDC	10 mm ²	16 mm ²	25 mm ²	35 mm ²	35 mm ²

Diese Größentabelle für Stromleiter und Schutzschalter ist nur unter folgenden Voraussetzungen gültig:

1. Es sind nicht mehr als drei Stromleiter zusammen in einer Umhüllung oder Leitung außerhalb des Motorraums gebündelt.
2. Jeder Stromleiter hat eine Isolierung die auf 105 °C eingestuft wurde.
3. Es darf nicht mehr als 27 % Stromschwankungen bei voller Motorleistung erlaubt sein. Diese Angaben basieren auf den veröffentlichten Produkthanforderungen für die Stromzufuhr des Produkts.

***Die Länge der Kabelverlängerung bezieht sich auf den Abstand von der Batterie bis zu den Anschlüssen des Elektromotors.**

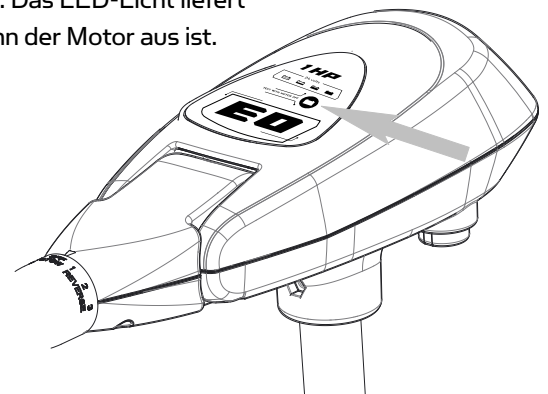
PUSH-TO-TEST BATTERIEMESSINSTRUMENT

Dieser Motor ist mit einem „Push-to-test“ Batteriemessinstrument ausgestattet. Das LED-Licht liefert eine genaue Anzeige der restlichen Aufladung der Batterie. Es ist nur genau, wenn der Motor aus ist.

Das Messinstrument liest sich wie folgt:

- Ein Licht zeigt Wiederaufladen an.
- Zwei Lichter zeigen eine niedrige Aufladung an.
- Drei Lichter zeigen eine gute Aufladung an.
- Vier Lichter zeigen eine volle Aufladung an.

*Das Batteriemessinstrument ist nicht genau, wenn Lithiumbatterien verwendet werden.



DIE RICHTIGEN BATTERIEN AUSWÄHLEN

Der Motor kann mit jeder Bleisäure-, zyklenfesten Boots- oder Lithium-12-Volt-Batterie bzw. Batterien betrieben werden. Behalten Sie die Bleisäure-Batterien auf voller Aufladung. Lithium-Batterien sollten bei weniger als voller Aufladung aufbewahrt werden und müssen nur kurz vor Nutzung voll aufgeladen werden. Korrekte Behandlung sichert die Batterieleistung, wenn Sie diese brauchen und verbessert signifikant die Lebensdauer der Batterie. Die Nichtbeachtung, Bleisäurebatterien aufzuladen (innerhalb von 12-24 Stunden), ist die Hauptursache für vorzeitigen Ausfall der Batterie. Wir bieten eine breite Auswahl an Bleisäure-Ladegeräten, um Ihre Lade-Bedürfnisse zu erfüllen. Wir empfehlen Ihnen, separate Batterien für Ihren Minn Kota EO Motor zu verwenden.

Tipp zu Batterien:

- Schließen Sie nie die (+) und (-) Anschlüsse der gleichen Batterie zusammen an. Achten Sie darauf, dass keine Metallgegenstände auf die Batterie fallen und die Anschlüssen verkürzen. Dies würde unverzüglich zu einer kurzen und extremen Feuergefahr führen.
- Es wird dringend empfohlen, einen Schutzschalter oder eine Sicherung mit diesem Elektromotor zu benutzen. Siehe „Größentabelle für den Leitungsquerschnitt und den Schutzschalter“ im vorhergehenden Abschnitt, um den passenden Schutzschalter oder die passende Sicherung für Ihren Motor zu finden. Für Motoren die einen 60-Ampere Schutz benötigen, wird der Minn Kota MKR-19 60-amp Schutzschalter empfohlen.

ANSCHLUSS DER BATTERIEN

12-VOLT SYSTEME:

1. Stellen Sie sicher, dass der Motor ausgeschaltet ist (Geschwindigkeitswähler ist auf „OFF“ oder „0“ gestellt)
2. Schließen Sie den positiven (+) roten Anschluss an den positiven (+) Batterieanschluss an.
3. Schließen Sie den negativen (-) roten Anschluss an den negativen (-) Batterieanschluss an.
4. Schalten Sie aus Sicherheitsgründen den Motor nicht ein, bevor der Propeller nicht vollständig in das Wasser eingetaucht ist.

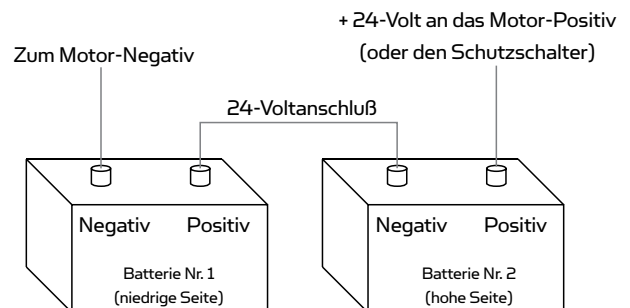
ACHTUNG:

Trennen Sie aus Sicherheitsgründen den Motor von der Batterie bzw. den Batterien, wenn der Motor nicht verwendet wird oder während die Batterie bzw. die Batterien aufgeladen werden.

SERIENSCHALTUNG DER BATTERIEN (FALLS FÜR IHREN MOTOR ERFORDERLICH)

24-VOLT SYSTEME:

1. Stellen Sie sicher, dass der Motor ausgeschaltet ist (Geschwindigkeitswähler ist auf „0“ gestellt).
2. Es werden zwei 12-Volt Batterien benötigt.
3. Die Batterien müssen in Serie geschaltet werden, und zwar genau, wie im Schaltplan aufgezeigt, um 24-Volt zu liefern.
 - a. Schließen Sie ein Steckerkabel an den positiven (+) Anschluss von Batterie 1 und an den negativen (-) Anschluss von Batterie 2 an.
 - b. Schließen Sie den positiven (+) roten Motoranschluss an den positiven (+) Anschluss von Batterie 2 an.
 - c. Schließen Sie den negativen (-) schwarzen Motoranschluss an den negativen (-) Anschluss von Batterie 1 an.
4. Schalten Sie aus Sicherheitsgründen den Motor nicht ein, bevor der Propeller nicht vollständig in das Wasser eingetaucht ist. Wenn Sie einen Leitungsdrahtstecker anbringen, beobachten Sie korrekte Polarität und befolgen Sie die Anweisungen im Handbuch Ihres Bootsinhabers. Sehen Sie den Bauschaltplan auf den folgenden Seiten. .

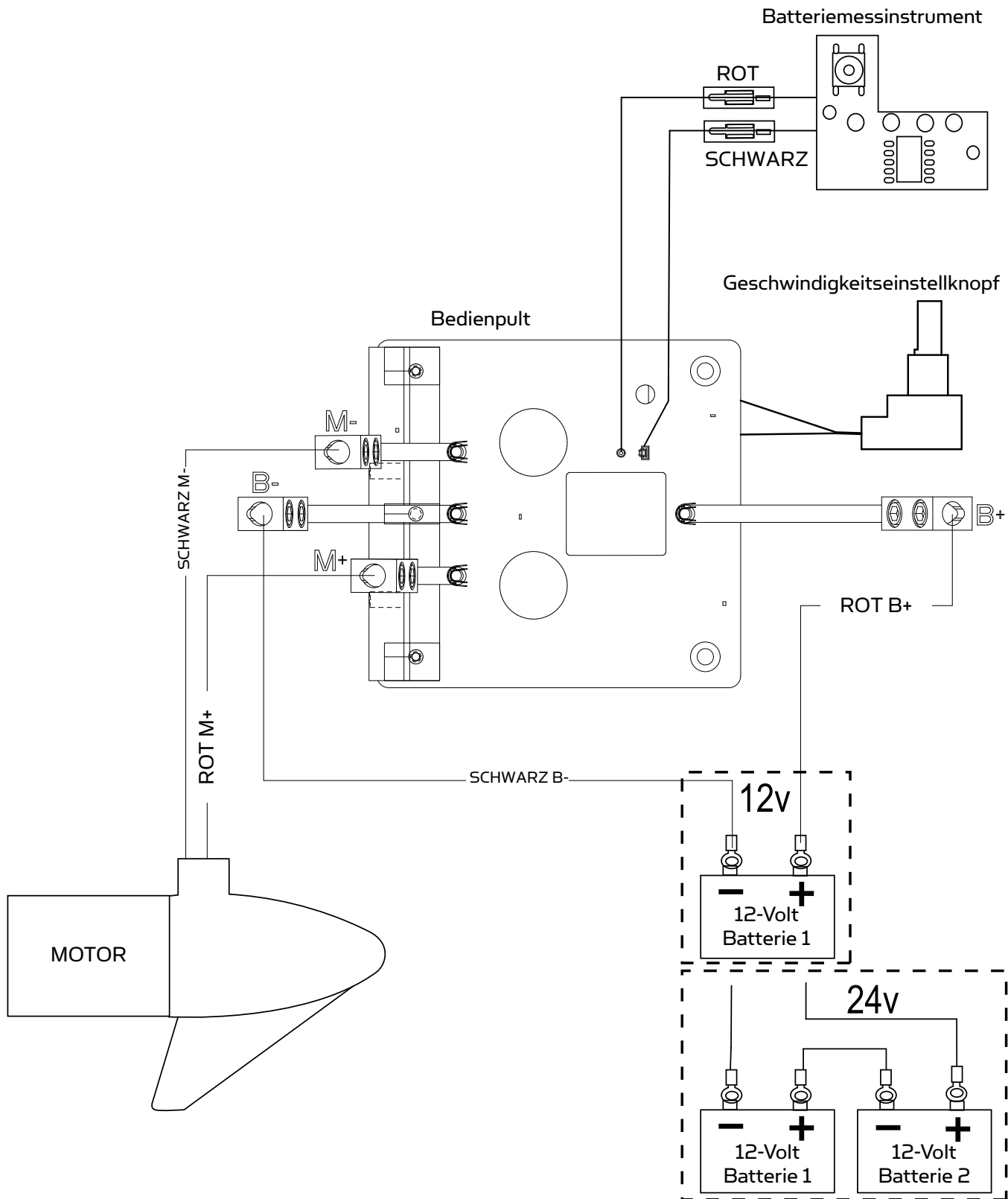


24 Volt Series Connection

ACHTUNG:

- **Trennen Sie aus Sicherheitsgründen den Motor von der Batterie bzw. den Batterien, wenn der Motor nicht verwendet wird oder während die Batterie bzw. die Batterien aufgeladen werden.**
- **Die unsachgemäße Anbringung von 24/36-Volt Systemen, kann zu Batterie-Explosion führen!**
- **Halten Sie die Leitungsdrahtverbindungen mit der Flügelmutter dicht und fest an den Batterieklemmen.**
- **Fixieren Sie die Batterie in einem gelüfteten Fach.**

MOTORBAUSCHALTPLAN



DEN MOTOR VERWENDEN UND JUSTIEREN

EINSTELLEN DER TIEFE DES MOTORS

Wenn Sie die Tiefe einstellen, seien Sie sicher, dass die Oberseite des Motors mindestens 12" (30,5 cm) beträgt, um Aufwühlung oder Unruhe der Oberflächenwasser zu vermeiden. Der Propeller muss vollständig eingetaucht sein.

1. Greifen Sie den Verbundschaft und halten Sie ihn fest.
2. Lockern Sie den Lenkwiderstandsknopf und den einstellbaren Tiefeneinstellringknopf, bis sich die Welle frei dreht.
3. Heben Sie den Motor an oder senken Sie diesen ab, bis er die gewünschte Tiefe erreicht.
4. Ziehen Sie den einstellbaren Tiefeneinstellringknopf an, um den Motor in dieser Stellung zu sichern.

ACHTUNG:

- **Benutzen Sie den Motor niemals außerhalb des Wassers.**
- **Das zu feste Anziehen der Klemmschrauben kann die Halterung beschädigen.**
- **Lockern Sie niemals den Lenkwiderstandsknopf ohne den Schaft des Motors sicher zu halten. Wenn dies nicht gemacht wird, wird der Motor schnell gegen die Halterung fallen.**

EINSTELLUNG DER LENKUNG/STEUERUNG

- Stellen Sie den Lenkwiderstandsknopf so ein, dass genügend Spannung erzeugt wird, um es dem Motor zu erlauben, sich frei zu drehen, dass er jedoch in jeder Position verbleibt, ohne gehalten zu werden

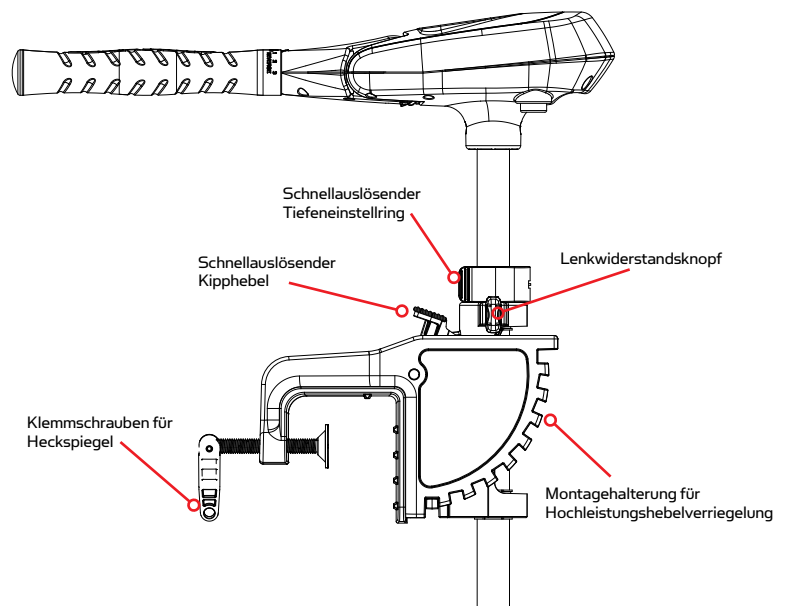
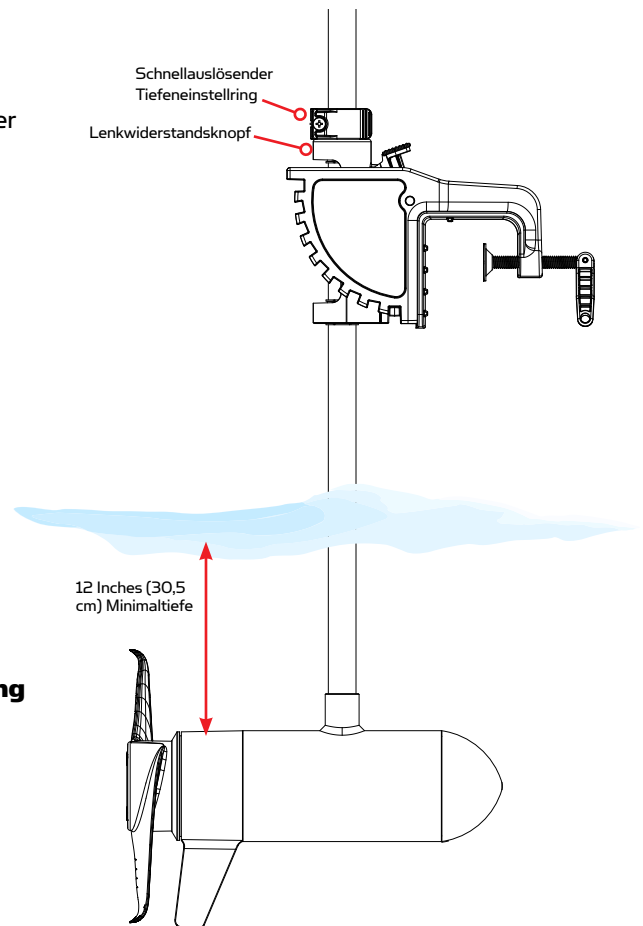
ODER

- Ziehen Sie den Knopf so an, dass der Motor in einer voreingestellten Stellung bleibt, damit Sie Ihre Hände zum Fischen frei haben.

EINSTELLUNG DER HALTERUNG

Sie können Ihren Motor in einer vertikalen Position arretieren, ihn für flaches Wasser anwinkeln oder ihn vollständig aus dem Wasser herauskippen.

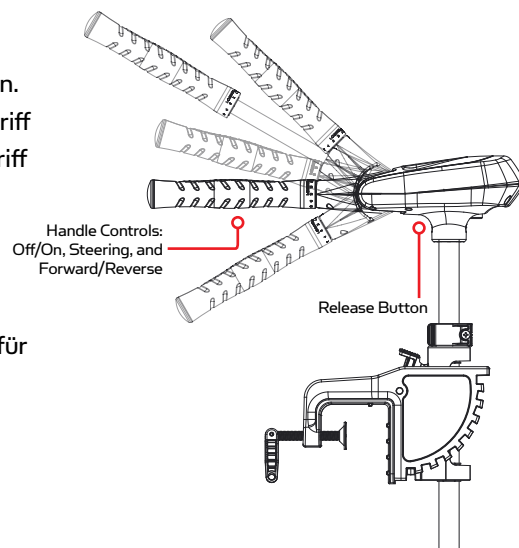
1. Greifen Sie fest nach dem Steuerkopf oder dem Verbundschaft.
2. Drücken Sie den Kipphebel nach unten in Richtung der Halterung des Schafts und halten Sie ihn, um den T-Balken zu entlasten und die Position des Befestigungswinkels einzustellen.
3. Kippen Sie diese in eine beliebige Position auf dem Befestigungswinkel.
4. Lösen Sie den Kipphebel.



EINSTELLUNG DES „TILT TWIST TILLER“™

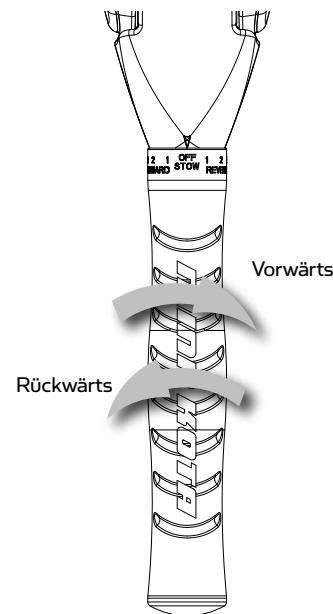
Der Drehgriff der Steuerpinne befindet sich bei Versendung in der unteren Position. Greifen Sie den Handgriff fest und ziehen Sie ihn in die obere Position. Der Handgriff hat sieben verfügbare Positionen: 45° 30° und 15° auf und ab von 0°. Der Handgriff verriegelt sich in der horizontalen Position, kann aber durch das Betätigen der Entriegelung, die auf der linken Unterseite des Handgriffgelenks gelegen ist, nach unten gekippt werden.

HINWEIS: BEVOR der Handgriff nach unten gekippt wird, MUSS der Handgriff für die Geschwindigkeitskontrolle des Motors in der OFF/STOW Position stehen.



GESCHWINDIGKEITSKONTROLLE UND STEUERUNG MIT DER RUDERPINNE

Dieser Motor bietet verschiedene Vorwärts- und Rückwärtsgeschwindigkeiten. Die Geschwindigkeitskontrolle kann in jede Richtung ausgeführt werden, vorwärts oder rückwärts. Drehen Sie die Steuerpinne gegen den Uhrzeigersinn von (OFF), um die Geschwindigkeit rückwärts zu erhöhen, und im Uhrzeigersinn von (OFF), um die Geschwindigkeit vorwärts zu erhöhen. Die Geschwindigkeit nimmt ab, wenn Sie wieder in Richtung (OFF) aus der jeweiligen Richtung drehen.

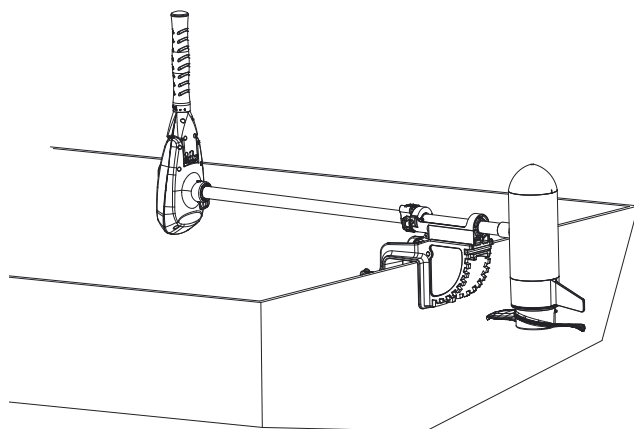


VERSTAUEN DES MOTORS

Adjust depth so that the motor is fully raised.

1. Justieren Sie die Tiefe, damit der Motor vollständig angehoben wird.
2. Betätigen Sie und halten Sie den Kipphebel.
3. Kippen Sie den Motor in das Boot.
4. Kippen Sie den Motor immer in das Boot, wenn Sie es transportieren, sodass der Motor und die Strebenanordnung sich vollständig außerhalb des Wassers befinden und der Motor nahe an der Halterung der Hebelverriegelung positioniert ist.

WARNUNG: Beim Heben/Senken des Motors, oder bei dem Betrieb des Kippmechanismus, halten Sie die Finger von allen Scharnieren und Drehpunkten und allen beweglichen Teilen fern.



SERVICE UND WARTUNG

PROPELLER ERSATZT

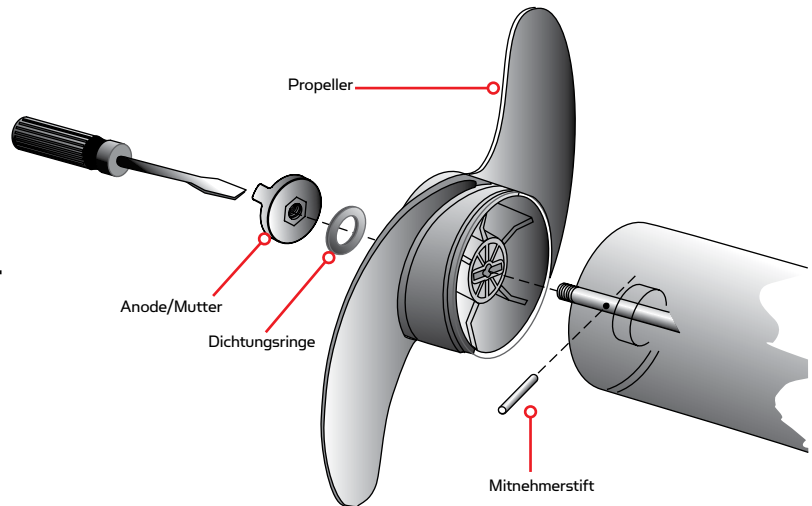
BENÖTIGTE WERKZEUGE UND RESSOURCEN:

- 9/16" Ringschlüssel

ACHTUNG:

Trennen Sie die Verbindung zwischen Motor und Batterie, bevor Sie irgendeine Sanierungs- oder Wartungsarbeit durchführen.

Hinweis: Der Propeller an Ihrem Motor kann sich von dem auf dem Bild unterscheiden.



1. Trennen Sie die Verbindung zwischen Motor und der Batterie, bevor Sie Änderungen am Propeller vornehmen.
2. Halten Sie den Propeller und lösen Sie die Anode/Mutter mit einem Schlüssel.
3. Entfernen Sie die Anode/Mutter und die Dichtungsringe. WENN der Mitnehmerstift abgenutzt/gebrochen ist, müssen Sie den Schaft unveränderlich mit einem Schraubenzieherblatt halten, das in den Schlitz am Ende der Welle eingeführt wird.
4. Drehen Sie die alte Strebe horizontal (wie auf dem Bild dargestellt) und ziehen Sie sie gerade heraus. Sollte der Mitnehmerstift herausfallen, drücken Sie ihn wieder zurück hinein.
5. Richten Sie den neuen Propeller an dem Mitnehmerstift aus.
6. Installieren Sie die korrekten Dichtungsringe der Strebe sowie Anode/ Mutter.
7. Ziehen Sie die Anode/Mutter an, eine Viertelumdrehung nach dem normalen Festziehen (25-35 Inch lbs.) (2,5 bis 4 Nm). Seien Sie vorsichtig, ein zu festes Anziehen kann die Strebe beschädigen

ALLGEMEINE WARTUNG

- Der gesamte Motor sollte nach jeder Nutzung mit frischem Wasser abgespült werden, dann mit einem Tuch gewischt, das mit einem wässrigen Silikon Spray getränkt ist. Sprühen Sie kein Wasser in die Ventilationsöffnungen am Kopf des Motors.
- Die Verbundschaft benötigt eine regelmäßige Reinigung und Schmierung für korrekten Rückzug und korrekte Verwendung. Eine Schicht mit einem wässrigen Silikon Spray verbessert den Betrieb.
- Der Propeller muss nach jeder Nutzung inspiziert und von Pflanzen und Angelschnüren befreit werden. Pflanzen und Angelschnüre können hinter die Strebe gelangen, die Siegel beschädigen und so Wassereintritt in den Motor ermöglichen.
- Verifizieren Sie bei jeder Nutzung des Motors, dass die Mutter der Strebe gesichert ist.
- Um versehentliche Beschädigung während des Transportes oder der Ablage zu verhindern, trennen Sie die Batterie vom Motor, sobald er sich außerhalb des Wassers befindet. Für eine längere Lagerung beschichten Sie alle Metallteile leicht mit einem wässrigen Silikon Spray.
- Für maximales Batterieleben, laden Sie die Batterien nach Gebrauch so bald wie möglich neu auf. Für maximale Motorleistung, stellen Sie die Vollaufladung vor der Nutzung wieder her.
- Halten Sie die Batterieanschlüsse mit einem feinen Sand- oder Schmirgelpapier sauber.
- Der Propeller ist so konstruiert, dass er einen optimalen Betrieb mit hoher Effizienz ermöglicht. Um diese Hochleistung beizubehalten, muss der führende Rand der Blätter glatt gehalten werden. Wenn sie rau oder vom Gebrauch eingekerbt sind, stellen Sie wieder eine glatte Oberfläche her, indem Sie diese mit feinem Sandpapier abreiben.

FEHLERSUCHE UND REPARATUR

1. Motor springt nicht an oder hat keinen Strom:
 - Überprüfen Sie die Batterieverbinding für eine korrekte Polarität.
 - Stellen Sie sicher, dass die Anschlüsse sauber und korrosionsfrei sind. Benutzen Sie feines Sand- oder ein Schmirgelpapier, um die Anschlüsse zu säubern.
 - Überprüfen Sie den Wasserstand der Batterie. Geben Sie gegebenenfalls Wasser hinzu.
2. Motor verliert nach kurzer Laufzeit an Leistung:
 - Überprüfen Sie die Batterieaufladung. Falls diese niedrig sein sollte, laden Sie sie vollkommen wieder auf.
3. Motor ist schwierig zu steuern:
 - Lösen Sie den Lenkwiderstandsknopf an der Halterung
 - Schmieren Sie den Verbundschafft.
4. Sie erleben Strebenvibrationen während des Normalbetriebs:
 - Entfernen Sie die Strebe und drehen Sie sie um 180°. Mehr Informationen finden Sie in den Abbauanweisungen im Abschnitt über den Wiedereinbau des Propellers.
5. Störungen bei Ihrem Fisch-Finder:
 - Es kann in einigen Anwendungen zu Störungen bei der Tiefensuchanzeige kommen. Wir empfehlen Ihnen, dass Sie eine separate zyklusfeste Marinebatterie für Ihren Elektromotor benutzen und dass Sie den Tiefensucher von der Start- bzw. Ankurbelbatterie aus betreiben. Wenn die Probleme weiter fortbestehen, rufen Sie unsere Service-Abteilung unter +1 800-227-6433 an.

HINWEIS: Besuchen Sie für alle anderen Fehlfunktionen ein autorisiertes Service Center. Sie können nach einem autorisierten Service Center in Ihrem Bereich suchen, indem Sie unsere autorisierte Service Center Seite besuchen, die Sie online unter minnkotamotors.com finden, oder indem Sie unsere Kundendienstnummer +1 800-227-6433 anrufen.

FÜR WEITERE FEHLERSUCHE UND REPARATUR

Wir bieten Ihnen verschiedene Optionen, um Ihnen zu helfen, Ihr Produkt zu überprüfen und/oder zu reparieren. Bitte lesen Sie die untenstehenden Optionen durch.



HÄUFIG GESTELLTE FRAGEN (FAQ)

Wir stellen FAQs auf unserer Website zur Verfügung, um Antworten auf alle Ihre Fragen zu Minn Kota zu geben. Besuchen Sie minnkotamotors.com und klicken Sie auf „Frequently Asked Questions (Häufig gestellte Fragen)“, um eine Antwort auf Ihre Frage zu finden.



RUFEN SIE UNS AN (FÜR USA UND KANADA)

Unser Kundendienstrepräsentanten sind von Montag bis Freitag von 07.00 Uhr bis 16.30 Uhr CST unter +1 800 227 6433 erreichbar. Wenn Sie anrufen, um Teile zu bestellen, halten Sie bitte die elfstellige Seriennummer Ihres Produktes, die spezifischen Teilenummern und Ihre Kreditkarteninformationen parat. Das hilft dabei, Ihren Anruf zu beschleunigen, und ermöglicht es uns, Sie mit dem bestmöglichen Verbraucherservice zu bedienen. Sie können sich auf die Stückliste beziehen, die Ihrem Handbuch beigelegt ist, um die spezifischen Teilenummern zu identifizieren.



SCHREIBEN SIE UNS EINE

Sie können unserer Kundenservice-Abteilung Ihre Fragen zu Ihrem Minn Kota Artikel per E-Mail schreiben. Um Ihre Frage per E-Mail zu versenden, besuchen Sie minnkotamotors.com und klicken Sie auf „Support“.



AUTORISIERTE SERVICE CENTER

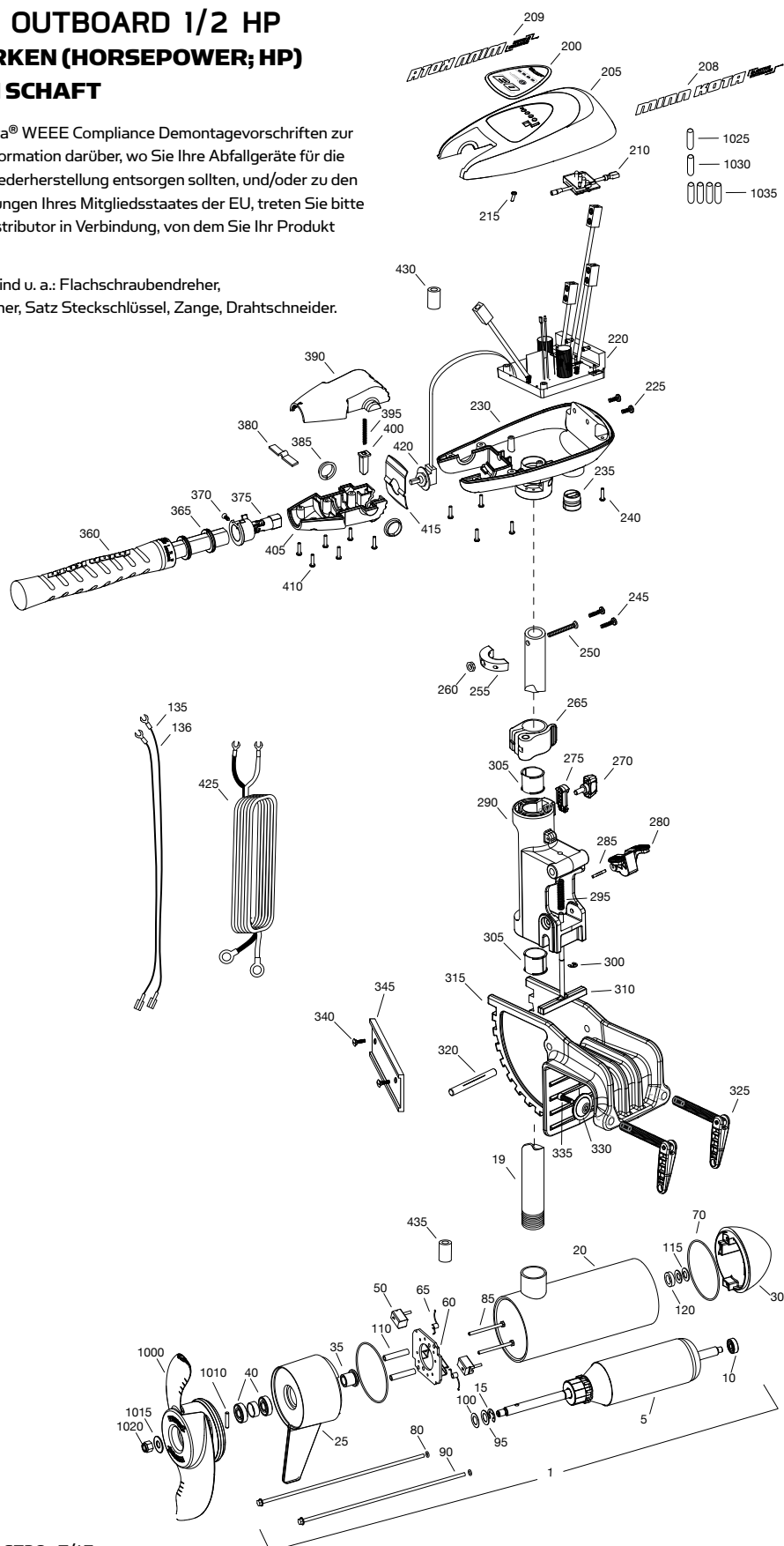
Minn Kota hat über 300 autorisierte Service Center in den USA und Kanada, wo Sie Teile einkaufen können oder wo Ihre Produkte repariert werden. Besuchen Sie bitte unsere autorisierte Service Center Seite auf unserer Website, um ein Service Center in Ihrer Nähe zu finden.

TEILEDIAGRAMM

EO ELECTRIC OUTBOARD 1/2 HP 1/2 PFERDESTÄRKEN (HORSEPOWER; HP) 12 VOLT - 92 CM SCHAFT

Diese Seite stellt Minn Kota® WEEE Compliance Demontagevorschriften zur Verfügung. Für weitere Information darüber, wo Sie Ihre Abfallgeräte für die Wiederverwertung und Wiederherstellung entsorgen sollten, und/oder zu den diesbezüglichen Anforderungen Ihres Mitgliedsstaates der EU, treten Sie bitte mit Ihrem Händler oder Distributor in Verbindung, von dem Sie Ihr Produkt gekauft haben.

Erforderliche Werkzeuge sind u. a.: Flachschrabendreher, Kreuzschlitzschraubendreher, Satz Steckschlüssel, Zange, Drahtschneider.



STÜCKLISTE

EO ELECTRIC OUTBOARD 1/2 HP

1/2 PFERDESTÄRKEN (HORSEPOWER; HP) - 12 VOLT - 92 CM SCHAFT

STÜCK	ANZAHL	TEILENUMMER	BESCHREIBUNG
1	1	2316290	12 VOLT-MOTOR 4" SCHALTER 1/2 HP
5	1	2-100-225	ARMATUR
10	1	140-010	LAGER
15	1	788-040	SICHERUNGSRING
19	1	2092000	SCHLAUCH (ZUSAMMENGESETZT) 92 CM
20	1	2-200-397	MITTELGEHÄUSE
25	1	2-300-340	BÜRSTENABSCHLUSSGEHÄUSE
30	1	421-376	NORMALES ABSCHLUSSGEHÄUSE STD
35	1	144-017	FLANSCH-LAGER (NUR SERVICE)
40	2	880-025	DICHTUNG
50	2	188-094	BÜRSTE
60	1	92-600-225	BÜRSTENPLATTE 4" 1/2 HP INSTALLATIONSSATZ
65	2	975-041	SCHLEIFFEDER
■	1	2889460	DICHTUNG UND ORIGINAL RECHTER INSTALLATIONSSATZ (40, 70-80)
70	2	701-043	ORIGINALRING, MOTOR
80	2	701-009	ORIGINALRING, DURCHGANGSBOLZEN
85	2	830-027	SCHRAUBE, 10-32X1/2"
90	2	830-094	DURCHGANGSBOLZEN NR. 12-24 X 10.31
95	1	990-051	UNTERLEGSCHLEIBE, STAHL
100	1	990-052	UNTERLEGSCHLEIBE/DICHTUNGSRING, NYLATRON
110	1	973-025	DISTANZSCHLEIBE, BÜRSTENPLATTE
115	1	992-010	UNTERLEGSCHLEIBE/DICHTUNGSRING, BELLEVILLE
120	2	992-045	SCHUBDISTANZSCHLEIBE
135	1	640-037	LEITUNGSDRAHT, SCHWARZ
136	1	640-137	LEITUNGSDRAHT, ROT
200	1	2095686	AUFKLEBER STEUERKASTENABDECKUNG, OBERSEITE
205	1	2090201	STEUERKASTENABDECKUNG
208	1	2095688	AUFKLEBER STEUERKASTENABDECKUNG, RECHTE SEITE
209	1	2095689	AUFKLEBER STEUERKASTENABDECKUNG, LINKE SEITE
210	1	2074080	BATTERIEMESSINSTRUMENT 12-VOLT SW
215	2	2043427	SCHRAUBE NR. 8X7/8 SS
220	1	2884110	BEDIENPULT
■	1	2888400	WIEDEREINBAU-SET POTENTIOMETER
225	2	2303434	SCHRAUBE NR. 8-32 X 5/8 SS
230	1	2092503	STEUERKASTEN, VARS, SCHALTER
235	1	2062905	GUMMIDURCHFÜHRUNGSRING
240	6	2303412	SCHRAUBE NR. 6-20 X 5/8 SS
245	2	2263434	SCHRAUBE NR. 8-18 X 1 SS
250	1	2263406	SCHRAUBE NR. 10-24 X 2" PPH SS
255	1	2061517	STELLRING, C-BOX
260	1	2333101	MUTTER, NR. 10-24, NYLOCK, SS
265	1	2991521	CAM SICHERUNG / TIEFENEINSTELLRING BAUSATZ

■ DIESER GEGENSTAND IST TEIL EINES BAUSATZES.

*DIESER GEGENSTAND IST TEIL EINES INSTALLATIONSSATZES UND WIRD NUR AUFGEListET ZUM ZWECK DER ANSICHT.

STÜCK	ANZAHL	TEILENUMMER	BESCHREIBUNG
■	1	2991714	HALTERUNGSBAUSATZ, ALUMINUM (270-335)
270	1	2011366	DREHKNOPF, SCHRAUBENKRAGEN, SS
275	1	2062801	SPANNUNGSBLOCK
280	1	2077202	HEBELNEIGUNG, HECKSPIEGELHALTEWINKEL
285	1	2070512	PIN SCHARNIER, 1/8 X 1
290	1	2071863	SCHARNIER SW
295	1	2332700	FEDER (T-BAR), SS
300	1	2333001	SPRENGRING, SS
305	2	2037301	BUCHSE, SCHARNIER
310	1	2073604	T-BAR, (SPRENGMANTEL)
315	1	2071947	HALTERUNG, SANDGUSS SW
320	1	2070514	PIN SCHARNIER, 3/8 X 3.5, SS
325	2	2991303	KLEMMSCHRAUBE, HANDGRIFF BAUSATZ
330	2	2331700	UNTERLEGSCHLEIBE/DICHTUNGSRING KLEMMSCHRAUBE, SS
335	2	2263452	SCHRAUBE, 1/4-20X3/4 SHCS, SS
■	1	2994844	BEUTEL, EXTRUSION HECKSPIEGEL
340	2	2053421	SCHRAUBE 1/4-14X1 PFH, SS
345	1	2058415	HECKSPIEGEL EXTRUSION
■	1	2990957	HANDGRIFF BAUSATZ, VARS (360-410)
360	1	2990456	GRIFF/HANDGRIFF BAUSATZ, VARS (360-375)
365	2	2060015	LAGER, HANDGRIFF
370	2	2063405	SCHRAUBE, NR. 6 PFH SS
375	1	2884092	BÜGEL/SPINNE, VARS
380	1	2302742	FEDER, RASTE, OFF
385	2	2060005	LAGER, HANDGRIFFGELENK
390	1	2060900	HANDGRIFFGELENK, OBEN
395	1	2302745	FEDER, FREIGABETASTE
400	1	2063700	FREIGABETASTE
405	1	2060905	HANDGRIFFGELENK, UNTEN
410	6	2303412	SCHRAUBE NR. 6-20 X 5/8 SS
415	1	2062715	FEDER, HANDGRIFFGELENK
420	1	2061700	UNTERLEGSCHLEIBE/DICHTUNGSRING, TOPFLAPPEN
425	1	2881402	INSTALLATIONSSATZ DES LEITUNGSDRAHT- (STROMKABEL) (SCHLIESST 235 MIT EIN)
430	1	2307316	FERRIT-FLANSCH
435	1	2307312	FERRIT-FLANSCH
■	1	1378132	INSTALLATIONSSATZ PROPELLER WW2 (1000-1020)
1000	1	2331160	PROPELLER WW2
1010	1	2262658	MITNEHMERSTIFT, GROSS
1015	1	2091701	UNTERLEGSCHLEIBE/DICHTUNGSRING, STREBE, GROSS
1020	1	2198401	MUTTER, NYLOCK, STREBE, ANODE
1025	1	2305415	SCHRUMPFSCHLAUCH
1030	1	2305410	SCHRUMPFSCHLAUCH
1035	4	2095400	SCHRUMPFSCHLAUCH

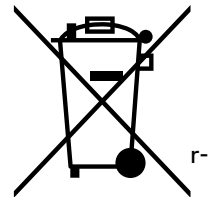
COMPLIANCE ERKLÄRUNGEN

COMPLIANCE ERKLÄRUNG ZUR UMWELT:

Es ist die Absicht von JOME, ein verantwortlicher Corporate Citizen („Unternehmensbürger“) zu sein, der seine Geschäfte gemäß den bekannten und anwendbaren Klimaregelungen betreibt und ein guter Nachbar in den Gemeinschaften, in denen wir unsere Produkte bauen oder verkaufen.

WEEE-RICHTLINIE:

Die EU-Richtlinie 2002/96/EC „Richtlinie zur Abfallbeseitigung von elektrischen und elektronischen Geräten (Waste of Electrical and Electronic Equipment Directive; WEEE)“ betrifft die meisten Distributoren, Verkäufer und Hersteller von Verbraucherelektronik in der Europäischen Union. Die WEEE-Richtlinie erfordert von den Herstellern von Verbraucherelektronik, die Verantwortung für das Management der Abfallbeseitigung von ihren Produkten zu übernehmen, um eine umweltverträgliche Beseitigung während des Produktlebenszyklus zu erzielen. WEEE Compliance ist möglicherweise an Ihrem Ort für elektrische u. elektronische Geräte (EEE) nicht erforderlich, oder für gemäß EEE entwickelte und zur festen oder temporären Installation in Transportfahrzeugen wie Automobilen, Flugzeugen und Booten gedachten Geräten. In einigen Mitgliedsstaaten der Europäischen Union werden diese Fahrzeuge als außerhalb des Bereichs der Richtlinie betrachtet und EEE kann für jene Anwendungen als von den Anforderungen der WEEE Richtlinie ausgeschlossen betrachtet werden.



Dieses Symbol (WEEE Wheelie-Abfalleimer) auf Produkten zeigt an, dass das Produkt nicht mit anderem Haushaltsmüll entsorgt werden darf. Es muss zur Wiederverwertung und Wiederherstellung von Abfällen EEE entsorgt werden und gesammelt werden. Johnson Outdoors Inc. kennzeichnet alle EEE Produkte in Übereinstimmung mit der WEEE Richtlinie. Es ist unser Ziel, bei der Sammlung, Behandlung, Wiederherstellung und umweltverträglichen Beseitigung dieser Produkte alle Vorschriften einzuhalten; jedoch schwanken diese Anforderungen innerhalb der Mitgliedsstaaten der Europäischen Union. Für weitere Information darüber, wo Sie Ihre Abfallgeräte für die Wiederverwertung und Wiederherstellung entsorgen sollten, und/oder zu den diesbezüglichen Anforderungen Ihres Mitgliedsstaates der EU, treten Sie bitte mit Ihrem Händler oder Distributor in Verbindung, von dem Sie Ihr Produkt gekauft haben.

ENTSORGUNG:

Minn Kota Motoren sind nicht betroffen von den Entsorgungsvorschriften EAG-VO (Richtlinie für elektrische Vorrichtungen), die die WEEE Richtlinie implementiert. Entsorgen Sie Ihren Minn Kota Motor dennoch nie in der Abfalltonne, sondern an korrekten Sammelstellen Ihres Ortes.

Werfen Sie nie eine Batterie in die Abfalltonne. Befolgen Sie die Beseitigungsanweisungen des Herstellers oder seines Repräsentanten und werfen Sie diese an den korrekten Sammelstellen Ihres lokalen Stadtrates fort.

WARNUNG: Dieses Produkt enthält Chemikalien, einschließlich Blei, die nach Kenntnis des Staates Kalifornien zu Geburtsfehlern oder anderen Fortpflanzungsschäden führen können.

EMPFOHLENE ZUSATZGERÄTE

BEWEGLICHE LADEGERÄTE

Bringen Sie den Spaß direkt ins Boot. Unsere beweglichen Aufladeeinheiten laden Ihre Batterie in mehrfachen Stadien auf, um Sie länger auf dem Wasser zu halten.

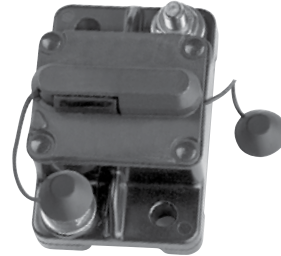
Sie wurden so entworfen, dass sie das gesamte Batterieleben verlängern.



MK110P

60-AMP SCHUTZSCHALTER

Schützt Elektromotoren vor elektrischen Schäden. 60 Ampere Einstufung mit manuellem Handrücksteller. Absolut wasserdicht. Kompatibel mit allen 12-, 24 - und 36-Volt-Systemen.



MKR-19

INEINANDERSCHIEBEN DER VERLÄNGERUNGSHANDGRIFFE

Verdrehen Sie einfach den Handgriff, um unsere Verlängerungshandgriffe zu lösen, justieren und festzuziehen. Gehen Sie von 17" bis 25" (MKA-43) oder 24" bis 40" (MKA-44) und erfahren Sie Höchstgeschwindigkeit und Lenkbarkeit in jeder Situation. Passend für alle Außenbord- und Elektromotoren.



MKA-44 40"

VERLÄNGERUNGSHANDGRIFFE

Bietet einfache Steuerung und Drehzahlregelung für alle Handstellmotoren. In 18" (MKA-18) oder extralangen 30" (MKA-7) Modellen verfügbar.



MKA-7

BATTERIELEISTUNGSCENTER

Für Heckspiegelanwendungen in kleinen Booten ermöglichen diese leicht greifbare externen Batterieanschlüsse, dass Motorleitungen und Ladegeräte miteinander verbunden werden können, ohne den Kasten zu öffnen. Eingebautes Batteriemessinstrument schließt zwei 12-Volt-zusätzliche Stecker und Schutzschalter mit manueller Rückstellung mit ein (10 Ampere für zusätzliche Stecker und 60 Ampere für Elektromotor). Passt für Batterien der Größen 24 und 27.



BATTERIEVERBINDER

Patentiertes Design, ideal für Batterien zur Innenanbringung in begrenzten, beengten Räumen. Einfach zu trennen für schnelle, bequeme Aufladung. Plastikabdeckung beseitigt Stromschlaggefahr.



MK-BC-1

Für eine komplette Auflistung der Minn Kota Zusatzgeräte, besuchen Sie minnkotamotors.com

Folgen Sie uns



minnkotamotors.com

Minn Kota Consumer & Technical Service
Johnson Outdoors Marine Electronics, Inc.
PO Box 8129
Mankato, MN 56001

121 Power Drive
Mankato, MN 56001
Phone (800) 227-6433
Fax (800) 527-4464



©2015 Johnson Outdoors Marine Electronics, Inc.
Alle Rechte vorbehalten