



# RIPTIDE ULTERRA™

BOW-MOUNT TROLLING MOTOR

OWNER'S MANUAL

# INTRODUCTION

## THANK YOU

Thank you for choosing Minn Kota. We believe that you should spend more time fishing and less time positioning your boat. That's why we build the smartest, toughest, most intuitive trolling motors on the water. Every aspect of a Minn Kota trolling motor is thought out and rethought until it's good enough to bear our name. Countless hours of research and testing provide you the Minn Kota advantage that can truly take you "Anywhere. Anytime." We don't believe in shortcuts. We are Minn Kota. And we are never done helping you catch more fish.

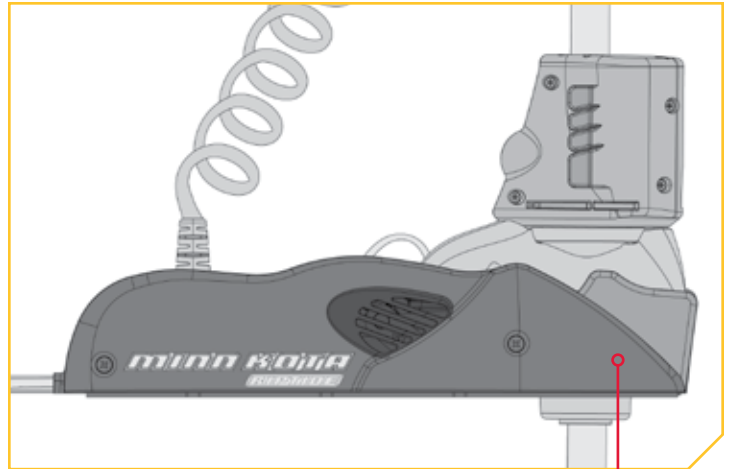
## REGISTRATION

Remember to keep your receipt and immediately register your trolling motor. A registration card is included with your motor or you can complete registration on our website at [minnkotamotors.com](http://minnkotamotors.com).

## SERIAL NUMBER

Your Minn Kota 11-character serial number is very important. It helps to determine the specific model and year of manufacture. When contacting Consumer Service or registering your product, you will need to know your product's serial number. We recommend that you write the serial number down so that you have it available for future reference.

**NOTE:** The serial number on your Riptide Ultra is located inside the mount near the motor rests.



## MOTOR INFORMATION (FOR CUSTOMER REFERENCE ONLY)

Model: \_\_\_\_\_

Serial Number: \_\_\_\_\_

Purchase Date: \_\_\_\_\_

Store Where Purchased: \_\_\_\_\_

**NOTE:** Do not return your Minn Kota motor to your retailer. Your retailer is not authorized to repair or replace this unit. You may obtain service by: calling Minn Kota at (800) 227-6433; returning your motor to the Minn Kota Factory Service Center; sending or taking your motor to any Minn Kota authorized service center. A list of authorized service centers is available on our website, at [minnkotamotors.com](http://minnkotamotors.com). Please include proof of purchase, serial number and purchase date for warranty service with any of the above options.

# TABLE OF CONTENTS

<b>TABLE OF CONTENTS</b>	
<b>SAFETY CONSIDERATIONS</b> .....	4
<b>WARRANTY</b> .....	5
<b>KNOW YOUR BOAT</b> .....	6
<b>FEATURES</b> .....	7
<b>INSTALLATION</b> .....	8
Installing the Riptide Ulterra.....	9
Routing i-Pilot Link Cables.....	16
<b>BATTERY &amp; WIRING INSTALLATION</b> .....	17
Boat Rigging & Product Installation.....	17
Conductor Gauge and Circuit Breaker Sizing Table.....	17
Selecting the Correct Batteries .....	18
Additional Considerations .....	18
Connecting the Batteries in Series .....	19
<b>MOTOR WIRING DIAGRAM</b> .....	21
<b>USING &amp; ADJUSTING THE MOTOR</b> .....	22
Mount Features .....	22
Change the Prop Orientation.....	24
Adjusting the Lift Belt.....	27
Greasing the Latch Pin and Power Tilt Motor Shaft.....	27
Stowing from the Riptide Ulterra Motor .....	28
Trim/Stow Reset Procedure .....	29
Manually Stowing the Riptide Ulterra.....	30
<b>SERVICE &amp; MAINTENANCE</b> .....	34
Propeller Replacement.....	34
General Maintenance .....	35
Troubleshooting.....	35
<b>COMPLIANCE STATEMENTS</b> .....	37
<b>PARTS DIAGRAM &amp; PARTS LIST</b> .....	39
<b>NOTES</b> .....	51

# SAFETY CONSIDERATIONS

Please thoroughly read the user manual. Follow all instructions and heed all safety and cautionary notices. Use of this motor is only permitted for persons that have read and understood these user instructions. Minors may use this motor only under adult supervision.

## **WARNING**

You are responsible for the safe and prudent operation of your vessel. We have designed your Minn Kota product to be an accurate and reliable tool that will enhance boat operation and improve your ability to catch fish. This product does not relieve you from the responsibility for safe operation of your boat. You must avoid hazards to navigation and always maintain a permanent watch so you can respond to situations as they develop. You must always be prepared to regain manual control of your boat. Learn to operate your Minn Kota product in an area free from hazards and obstacles.

## **WARNING**

Never run the motor out of the water, as this may result in injuries from the rotating propeller. The motor should be disconnected from the power source when it is not in use or is off the water. When connecting the power-supply cables of the motor to the battery, ensure that they are not kinked or subject to chafe and route them in such a way that persons cannot trip over them. Before using the motor make sure that the insulation of the power cables is not damaged. Disregarding these safety precautions may result in electric shorts of battery(s) and/or motor. Always disconnect motor from battery(s) before cleaning or checking the propeller. Avoid submerging the complete motor as water may enter the lower unit through control head and shaft. If the motor is used while water is present in the lower unit considerable damage to the motor can occur. This damage will not be covered by warranty.

## **WARNING**

Take care that neither you nor other persons approach the turning propeller too closely, neither with body parts nor with objects. The motor is powerful and may endanger or injure you or others. While the motor is running watch out for persons swimming and for floating objects. Persons whose ability to run the motor or whose reactions are impaired by alcohol, drugs, medication, or other substances are not permitted to use this motor. This motor is not suitable for use in strong currents. The constant noise pressure level of the motor during use is less than 70dB(A). The overall vibration level does not exceed 2,5 m/sec<sup>2</sup>.

## **WARNING**

When stowing or deploying the motor, keep fingers clear of all hinge and pivot points and all moving parts. In the event of unexpected operation, remove power leads from the battery.

## **WARNING**

It is recommended to only use Johnson Outdoors approved accessories with your Minn Kota motor. Using non-approved accessories including to mount or control your motor may cause damage, unexpected motor operation and injury. Be sure to use the product and approved accessories, including remotes, safely and in the manner directed to avoid accidental or unexpected motor operation. Keep all factory installed parts in place including motor and accessory covers, enclosures and guards.

# WARRANTY

## WARRANTY ON MINN KOTA SALTWATER TROLLING MOTORS

Johnson Outdoors Marine Electronics, Inc. ("JOME") extends the following limited warranty to the original retail purchaser only. Warranty coverage is not transferable.

### Minn Kota Limited Two-Year Warranty on the Entire Product

JOME warrants to the original retail purchaser only that the purchaser's new Minn Kota saltwater trolling motor will be materially free from defects in materials and workmanship appearing within two (2) years after the date of purchase. JOME will (at its option) either repair or replace, free of charge, any parts found by JOME to be defective during the term of this warranty. Such repair, or replacement shall be the sole and exclusive liability of JOME and the sole and exclusive remedy of the purchaser for breach of this warranty.

### Minn Kota Limited Lifetime Warranty on Composite Shaft

JOME warrants to the original retail purchaser only that the composite shaft of the purchaser's Minn Kota trolling motor will be materially free from defects in materials and workmanship appearing within the original purchaser's lifetime. JOME will provide a new composite shaft, free of charge, to replace any composite shaft found by JOME to be defective during the term of this warranty. Providing a new composite shaft shall be the sole and exclusive liability of JOME and the sole and exclusive remedy of the purchaser for breach of this warranty; **and purchaser shall be responsible for installing, or for the cost of labor to install, any new composite shaft provided by JOME.**

### Exclusions & Limitations

This limited warranty does not apply to products that have been used commercially or for rental purposes. This limited warranty does not cover normal wear and tear, blemishes that do not affect the operation of the product, or damage caused by accidents, abuse, alteration, modification, shipping damages, negligence of the user or misuse, improper or insufficient care or maintenance. **DAMAGE CAUSED BY THE USE OF OTHER REPLACEMENT PARTS NOT MEETING THE DESIGN SPECIFICATIONS OF THE ORIGINAL PARTS WILL NOT BE COVERED BY THIS LIMITED WARRANTY.** The cost of normal maintenance or replacement parts which are not in breach of the limited warranty are the responsibility of the purchaser. Prior to using products, the purchaser shall determine the suitability of the products for the intended use and assumes all related risk and liability. Any assistance JOME provides to or procures for the purchaser outside the terms, limitations or exclusions of this limited warranty will not constitute a waiver of the terms, limitations or exclusions, nor will such assistance extend or revive the warranty. JOME will not reimburse the purchaser for any expenses incurred by the purchaser in repairing, correcting or replacing any defective products or parts, except those incurred with JOME's prior written permission. **JOME'S AGGREGATE LIABILITY WITH RESPECT TO COVERED PRODUCTS IS LIMITED TO AN AMOUNT EQUAL TO THE PURCHASER'S ORIGINAL PURCHASE PRICE PAID FOR SUCH PRODUCT.**

### Minn Kota Service Information

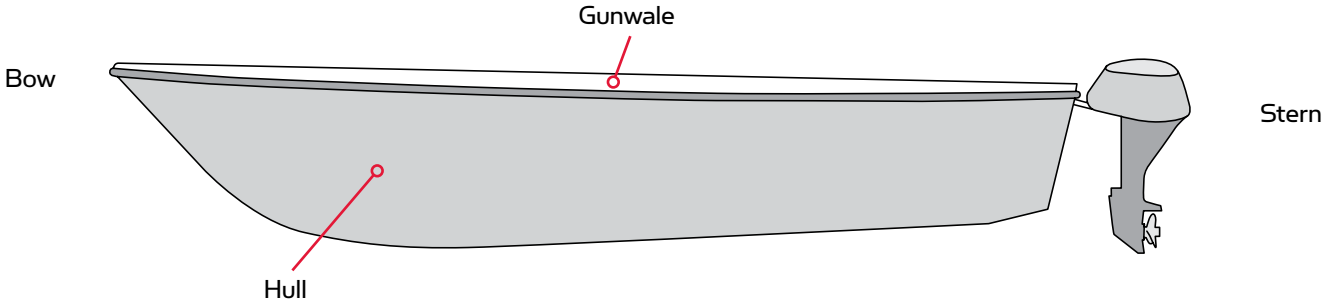
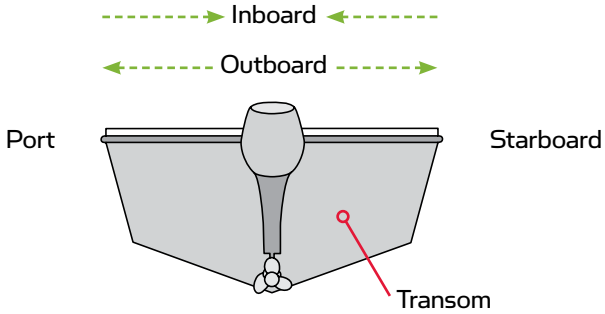
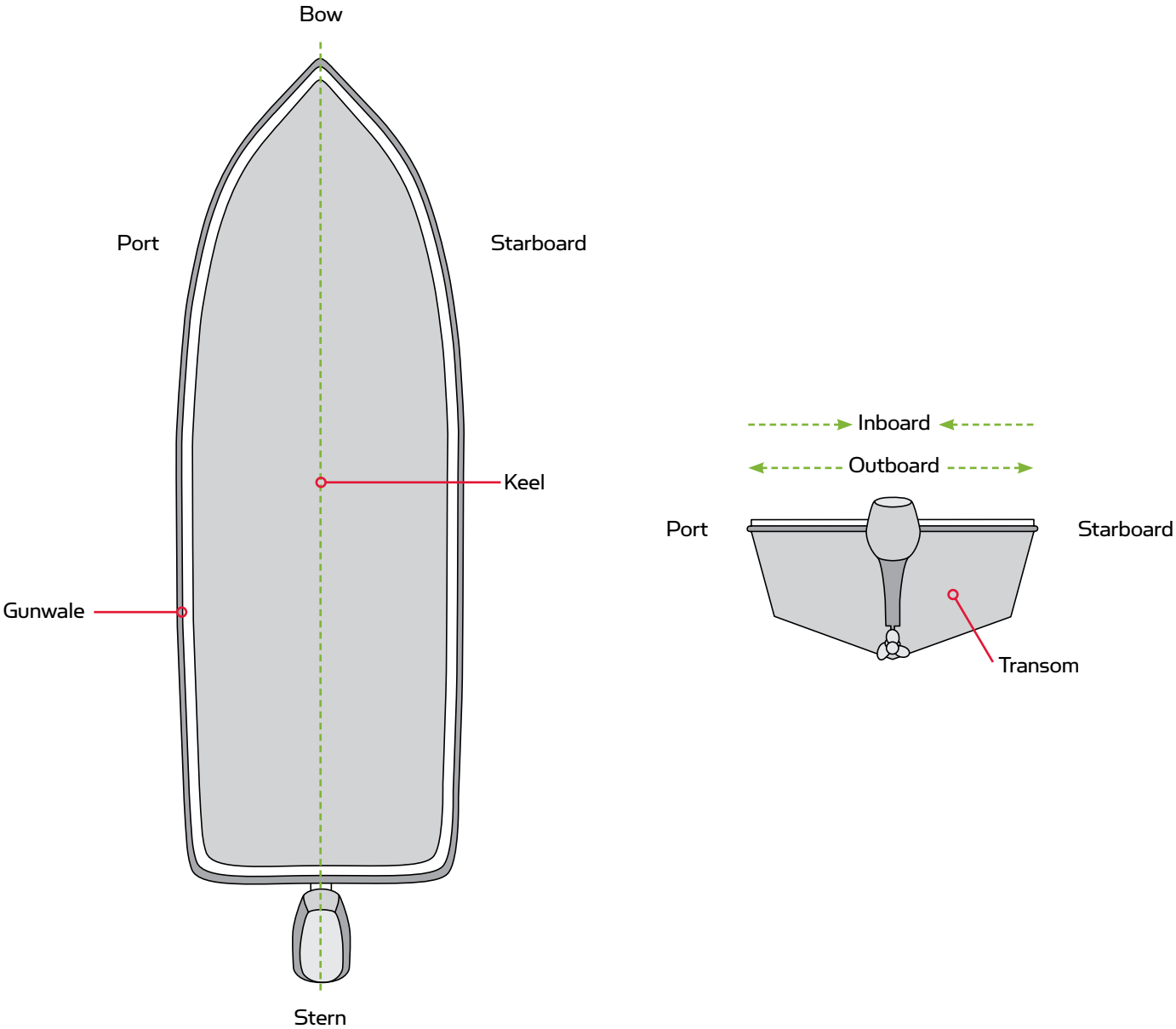
To obtain warranty service in the U.S., the product believed to be defective, and proof of original purchase (including the date of purchase), must be presented to a Minn Kota Authorized Service Center or to Minn Kota's factory service center in Mankato, MN. Any charges incurred for service calls, transportation or shipping/freight to/from the Minn Kota Authorized Service Center or factory, labor to haul out, remove, re-install or re-rig products removed for warranty service, or any other similar items are the sole and exclusive responsibility of the purchaser. Products purchased outside of the U.S. must be returned prepaid with proof of purchase (including the date of purchase and serial number) to any Authorized Minn Kota Service Center in the country of purchase. Warranty service can be arranged by contacting a Minn Kota Authorized Service Center or by contacting the factory at 1-800-227-6433 or email [service@minnkotamotors.com](mailto:service@minnkotamotors.com). **Products repaired or replaced will be warranted for the remainder of the original warranty period [or for 90 days from the date of repair or replacement, whichever is longer]. For any product that is returned for warranty service that JOME finds to be not covered by or not in breach of this limited warranty, there will be a billing for services rendered at the prevailing posted labor rate and for a minimum of at least one hour.**

**NOTE:** Do not return your Minn Kota product to your retailer. Your retailer is not authorized to repair or replace products.

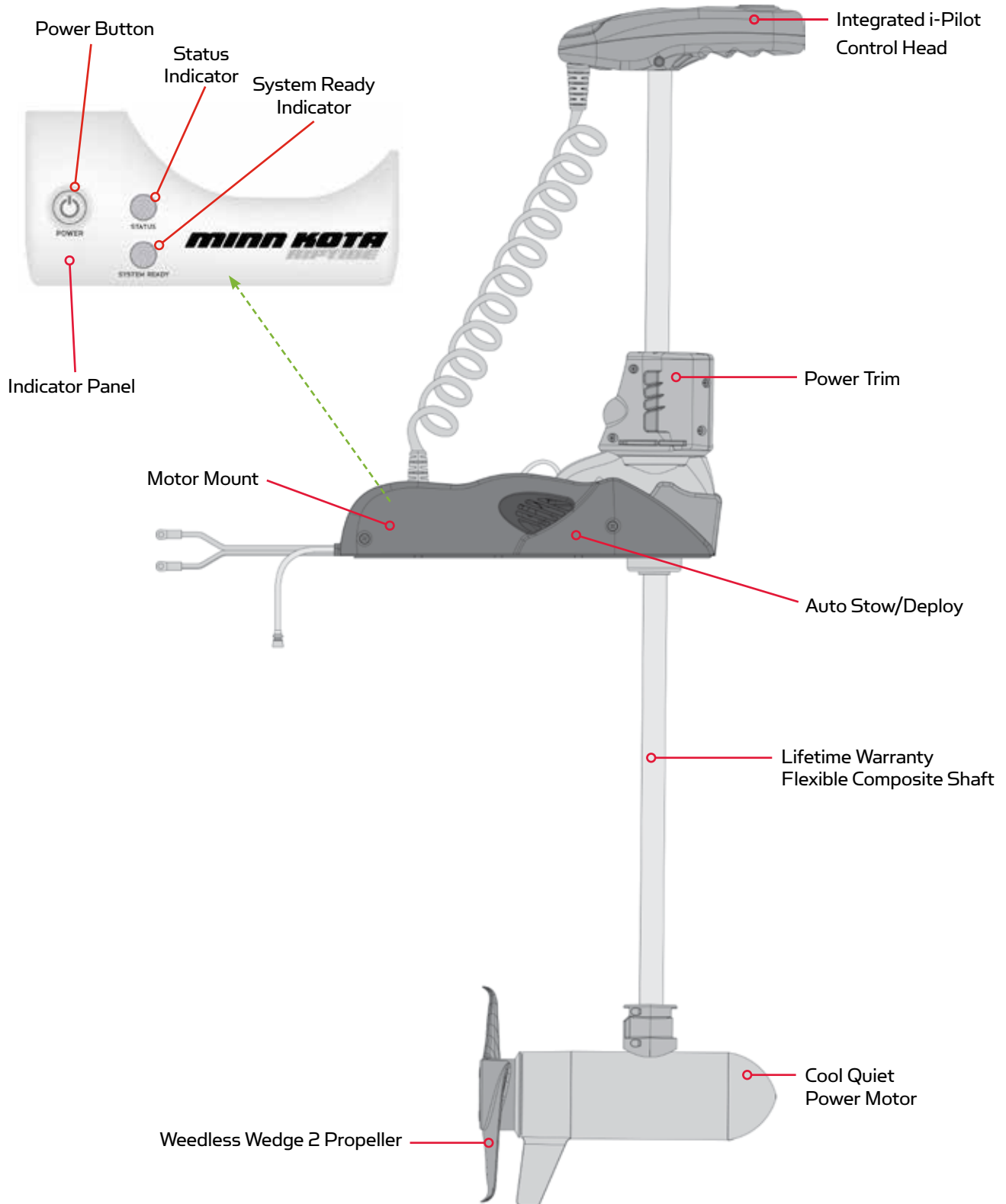
**NOTE:** THERE ARE NO EXPRESS WARRANTIES OTHER THAN THESE LIMITED WARRANTIES. IN NO EVENT SHALL ANY IMPLIED WARRANTIES INCLUDING ANY IMPLIED WARRANTIES OF MERCHANTABILITY OR FITNESS FOR PARTICULAR PURPOSE, EXTEND BEYOND THE DURATION OF THE RELEVANT EXPRESS LIMITED WARRANTY. IN NO EVENT SHALL JOME BE LIABLE FOR PUNITIVE, INDIRECT, INCIDENTAL, CONSEQUENTIAL OR SPECIAL DAMAGES. Without limiting the foregoing, JOME assumes no responsibility for loss of use of product, loss of time, inconvenience or other damage.

Some states do not allow limitations on how long an implied warranty lasts or the exclusion or limitation of incidental or consequential damages, so the above limitations and/or exclusions may not apply to you. This warranty gives you specific legal rights and you may also have other legal rights which vary from state to state.

# KNOW YOUR BOAT



# FEATURES



**NOTE:** Specifications subject to change without notice. This diagram is for reference only and may differ from your actual motor.

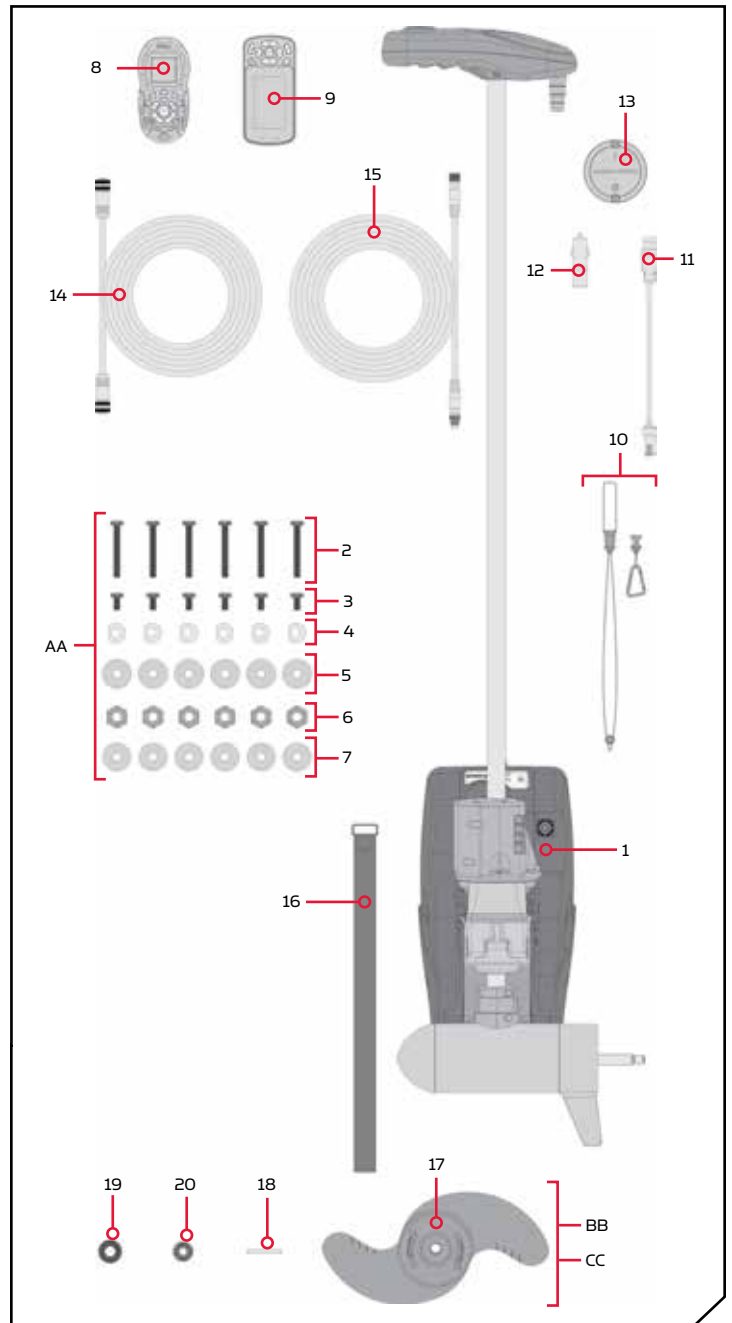
# INSTALLATION

## INSTALLING THE RIPTIDE ULTERRA

Your new Riptide Ultra comes with everything you'll need to directly install it to the boat. This motor can be directly mounted to the boat or it may be coupled with a Minn Kota quick release bracket for ease of mounting and removal. For installation with a quick release bracket, refer to the installation instructions provided with the bracket. For compatible quick release mounting brackets and to locate your nearest dealer, visit [minnkotamotors.com](http://minnkotamotors.com). To install the motor directly to the boat, please follow the instructions provided in this manual. Please review the parts list, mounting considerations and tools needed for installation prior to getting started. For additional product support, please visit [minnkotamotors.com](http://minnkotamotors.com).

### INSTALLATION PARTS LIST

Item / Assembly	Part #	Description	Qty.
1	✳	MOTOR ASSEMBLY	1
AA	2994917	BAG ASSY, ULTERRA MTG HARDWARE	1
2	2203430	SCREW-1/4-20 X 2.0 HHCS SS	6
3	2203431	SCREW-1/4-20 X 0.5 HHCS SS	6
4	2201725	WASHER-CLIPPED, 1/4", 1.00" OD	6
5	2261713	WASHER-1/4 FLAT 18-8 SS	6
6	2263103	NUT-1/4-20 NYLOCK SS	6
7	2301720	WASHER-MOUNTING - RUBBER	6
8	2994075 ◆	REMOTE ASSEMBLY, iPILOT	1
9	2994076 ◆	REMOTE ASSEMBLY LINK TOUCHSCREEN	1
▲	2397101 ◆	MANUAL, QUICK REF., iPILOT 1.6	1
▲	2397103 ◆	MANUAL-QUICK REF., iPILOT 3.0	1
10	2390800 ◆	LANYARD, REMOTE W/ CARABEENER	1
11	2373241 ◆	CABLE, USB REMOTE CHARGER LINK	1
12	2375901 ◆	ADAPTER, USB DC POWER LINK	1
13	2996400 ◆	HEADING SENSOR ASSEMBLY	1
14	490389-1 ◆	CABLE, ETH (M12-M-M12-F, 30')	1
15	2211415	CABLE-EXTENSION, PD/AP 110"	1
16	2203800	STRAP, HOLD DOWN	1
BB	1378132	80# THRUST PROP KIT	1
CC	1378160	112# THRUST PROP KIT	1
17	2341160	PROP-WW2 (4.5) w/ADP.RING	1
	2331160	PROP-WW2 (4") w/ADP.RING	1
18	2262658	PIN-DRIVE 1" X 3/16" S/S	1
19	2091701	WASHER-PROP (LARGE)	1
20	2198401	ANODES, ZINC, 4.0"LWR UNIT	1
▲	2207114	MANUAL, INSTALL GUIDE, RT ULTERRA	1



▲ Not shown on Parts Diagram.  
 ✳ This part is included in an assembly and cannot be ordered individually.  
 ◆ Only available with models factory installed with i-Pilot or i-Pilot Link.



## MOUNTING CONSIDERATIONS

It is recommended that the motor be mounted as close to the keel or centerline of the boat as possible. Make sure the area under the mounting location is clear to drill holes and install nuts and washers. Make sure the motor rest is positioned far enough beyond the edge of the boat. The motor must not encounter any obstructions as it is lowered into the water or raised into the boat when stowed and deployed. Consider a quick release or adapter bracket with the installation of your motor. To view a list of accessories, please visit [minnkotamotors.com](http://minnkotamotors.com).



View accessories available for your trolling motor at [minnkotamotors.com](http://minnkotamotors.com).

## TOOLS AND RESOURCES REQUIRED

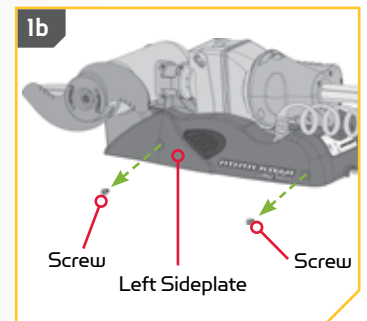
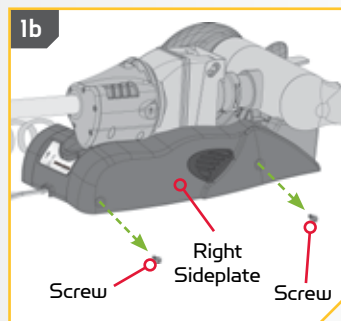
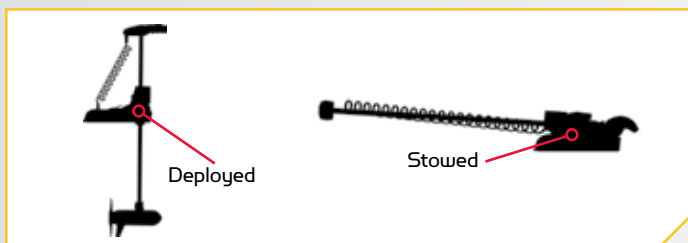
- #2 Phillips Screwdriver
- #3 Phillips Screwdriver
- Drill
- 9/32" Drill Bit
- A person to help with installation

## INSTALLATION

### Installing the Riptide Ulterra

1

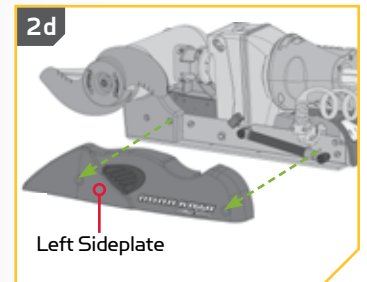
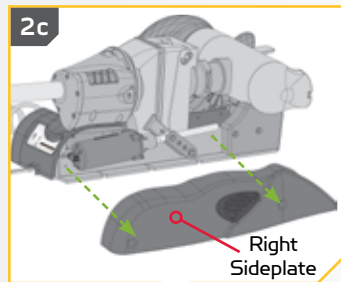
- Place the Motor on an elevated, level surface such as a workbench or the tailgate of a pickup. The motor, as removed from the box, should be in the stowed position.
- Remove the four sideplate screws using a #3 or #2 Phillips screwdriver. Two of these screws will be located on each side of the Motor Mount.



**NOTE:** This motor weighs approximately 70 lbs. We recommend having a second person help with the installation.

2

- Remove the Right Sideplate to access the Mounting Slots.
- Remove the Left Sideplate to access the Mounting Holes.



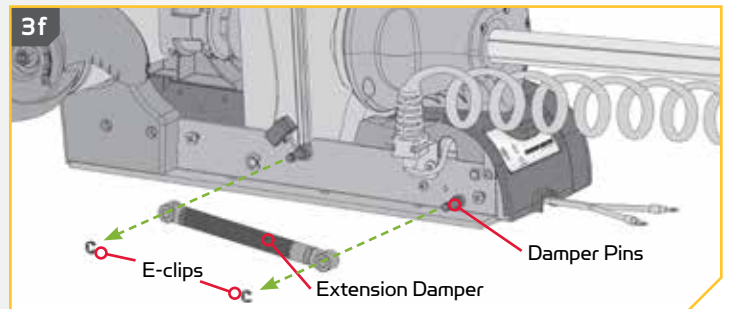
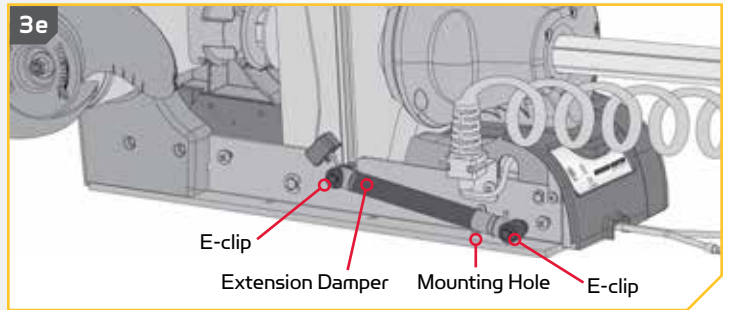
## INSTALLING THE RIPTIDE ULTERRA

3

- e. Under the Left Sideplate, the Extension Damper obstructs access to the left front Mounting Hole.
- f. Using a small Screw Driver, remove the two 5/16" E-clips holding the Extension Damper in place. Once the E-clips are removed, slide the Extension Damper off the Damper Pins to expose the left rear Mounting Hole. Set the two E-clips and Extension Damper in a safe place so they are not misplaced before they are reassembled later in the installation.

### **WARNING**

Do not deploy the motor until it is fully mounted to the boat. Illustrations are for reference only. Deploying your motor before it is mounted to the boat may cause injury.



4

- g. Make sure the Power Cables from the battery are disconnected, or that the breaker, if equipped, is "off".

### **WARNING**

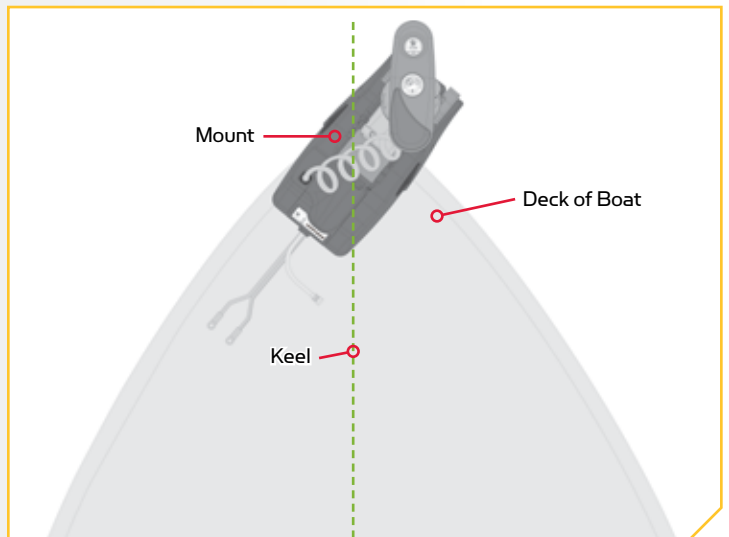
Make sure the motor is mounted on a level surface and is not connected to a power source.



5

- h. Place the motor on the bow of the boat. Place the motor as close to the centerline or keel of the boat as possible. The motor can be installed on either the Port or Starboard side of the boat based on personal preference. Reviewing the mounting considerations at the beginning of the installation section.

**NOTE:** The Emergency Strap (Item #9) is used for Manually Stowing the Ulterra. The Emergency Strap is not secured during installation. Store it on your boat in the event that you would need to manually stow the motor. To learn how, please refer to the "Manually Stowing the Ulterra" section of the Owner's Manual.



6

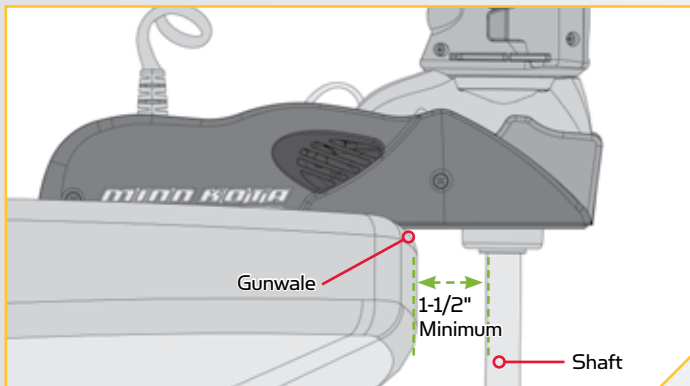
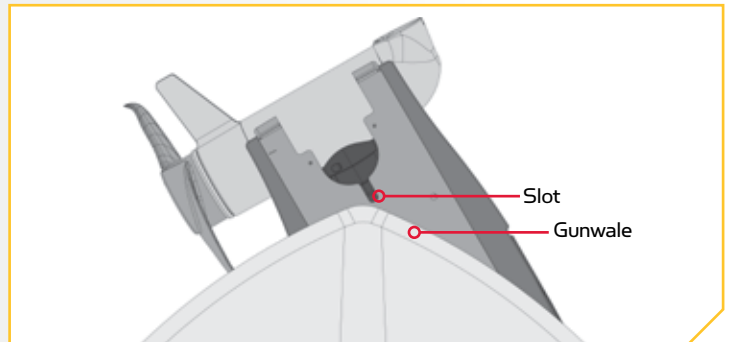
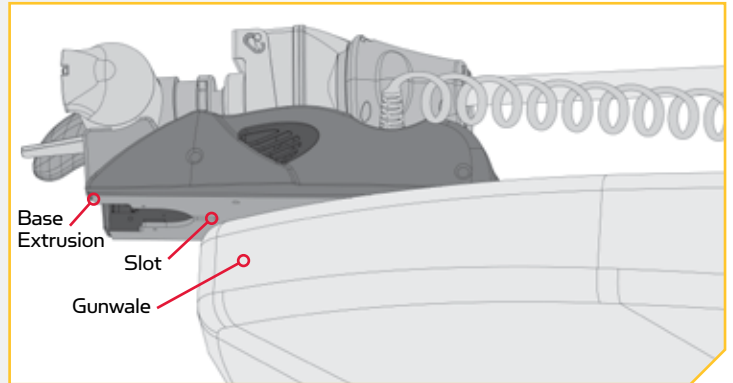
ITEM(S) NEEDED



**WARNING**

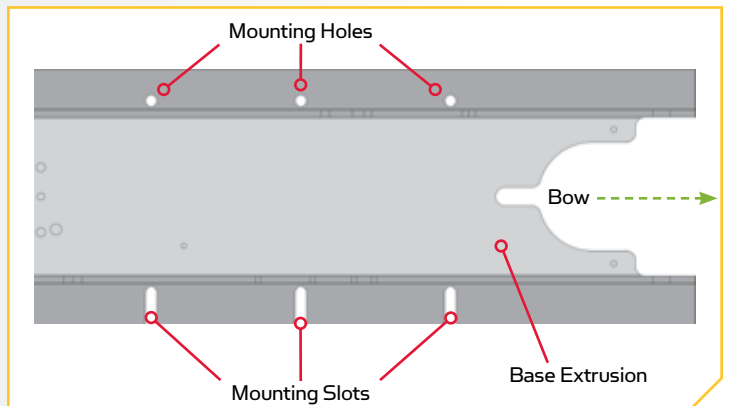
Do not deploy the motor until it is fully mounted to the boat. Illustrations are for reference only. Deploying your motor before it is mounted to the boat may cause injury.

- i. Make sure the slot on the underside of the Base Extrusion is aligned with the outermost part of the gunwale of the boat. This will ensure that the Shaft has a minimum clearance of 1-1/2" when it is deployed. The lower unit when stowed and deployed must not encounter any obstructions.
- j. Check to be sure that the Motor Mount is level. Use the Rubber Washers (Item #7) provided to create a level surface if necessary.



7

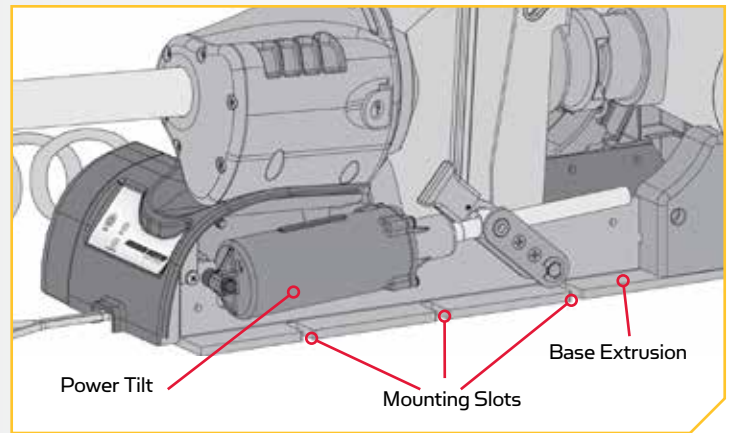
- k. It is recommended to mark at least 4 of the 6 holes in the Base Extrusion to have a minimum of two bolts on each side that are located the farthest apart. Ideal installation would allow for 6 bolts to be used, with a minimum of 4.
- l. Make sure the area under the mounting location is clear to drill holes and install nuts and washers. Drill through the marked holes using a 9/32" drill bit.



## INSTALLING THE RIPTIDE ULTERRA

8

- m. Mount the motor to the boat using the provided hardware. Place the installation hardware for the side of the Motor where the Power Tilt is located first. This is the opposite side of the Base Extrusion from where the Extension Damper was removed. The base of the Motor where the Power Tilt is located has Mounting Slots and the side where the Extension Damper is located has Mounting Holes.



9

### ITEM(S) NEEDED



#2 x 3



#5 x 3



#4 x 3



#6 x 3

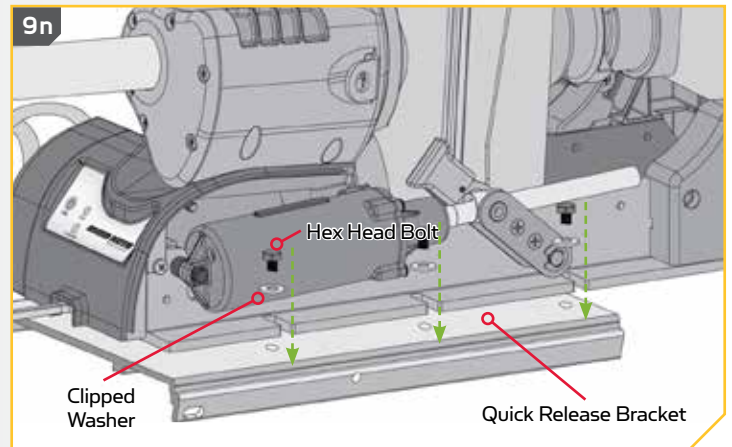


#3 x 3

**NOTE:** To prevent seizing of the stainless steel hardware, do not use high speed installation tools. Wetting the screws or applying an anti-seize may help prevent seizing.

- n. **If installing with a Quick Release Bracket,** install the motor with the Hex Head Bolts (Item #3) and Clipped Washers (Item #4). Orientate the Clipped Washers so that the flat side of the washer is towards the Base Extrusion. The Bolt should pass through the Clipped Washer and into a Quick Release Bracket. Leave at least 1/4" space between the Hex Head Bolt and Clipped Washer in order to slide the Base Extrusion under the Clipped Washer and into place.

**NOTE:** The Long Bolts, Flat Washers and Nylock Nut are not used when installing the Riptide Ultrerra with a Quick Release Bracket.



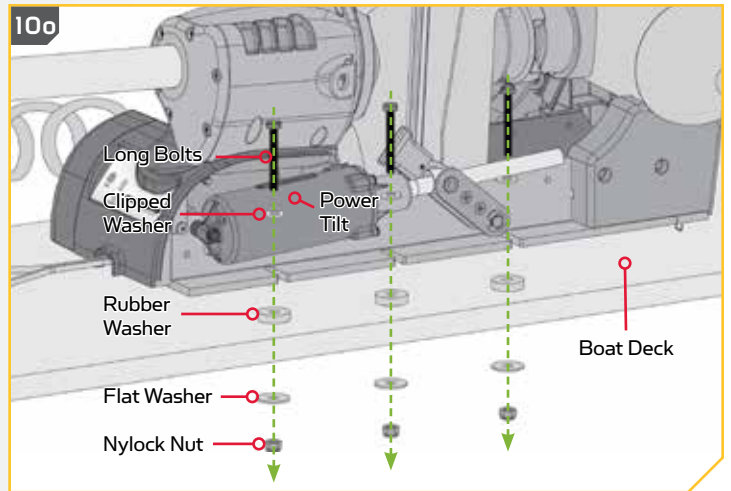
### CAUTION

Use extra care to avoid pinching and damaging the sensor wires that run along side of the Base Extrusion when installing and tightening the motor mounting bolts.

10

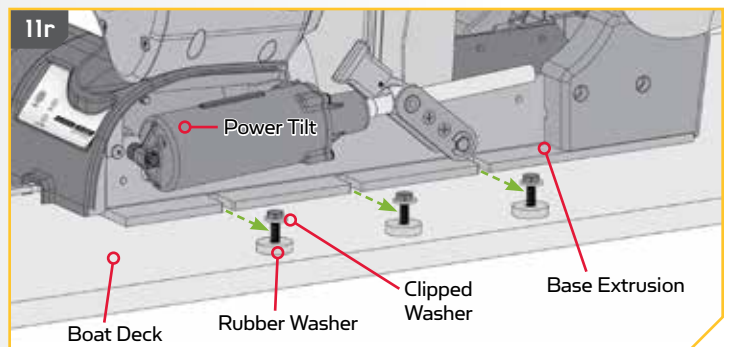
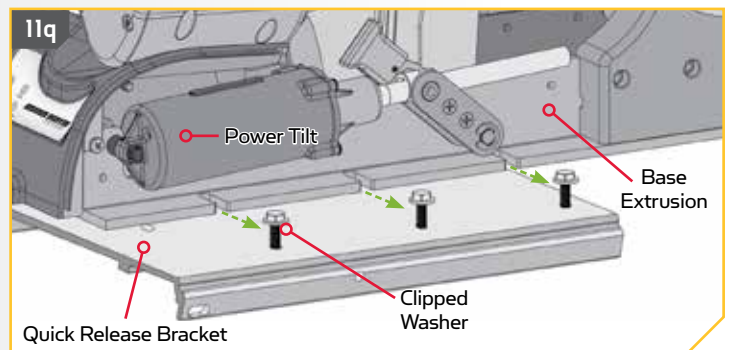
- o. **If installing directly to the boat deck,** install the motor with the Long Bolts (Item #2), Clipped Washer (Item #4), Flat Washer (Item #5) and Nylock Nut (Item #6). Orientate the Clipped Washers so that the flat side of the washer is towards the Base Extrusion. The Bolt should pass through the Clipped Washer, the Rubber Washer and then through the Boat Deck. The Bolt should be secured by first adding the Flat Washer (Item #5) to the Bolt and securing with a Nylock Nut (Item #6). Leave at least 1/4" space between the Hex Head Bolt and Clipped Washer and the deck of the boat. This will leave enough space to slide the Base Extrusion between the Clipped Washer and Rubber Washer and into place.

**NOTE:** The Short Bolts are not used when installing the Riptide Ultra directly to the boat.



11

- p. Slide the Base Extrusion into place under the Bolts that were just installed.
- q. **If installing with a Quick Release Bracket,** the Base Extrusion should slide between the Quick Release Bracket and the Clipped Washers. Hold the Clipped Washers up on the Hex Head Bolt, so the Clipped Washer will sit on top of the Base Extrusion.
- r. **If installing directly to the boat deck,** the Base Extrusion should slide between the Clipped Washer and the Rubber Washer. Hold the Clipped Washers up on the Long Bolt, so the Clipped Washer will sit on top of the Base Extrusion.



# INSTALLING THE RIPTIDE ULTERRA

12

## ITEM(S) NEEDED



#2 x 3



#5 x 3



#4 x 3



#6 x 3



#3 x 3

**NOTE:** To prevent seizing of the stainless steel hardware, do not use high speed installation tools. Wetting the screws or applying an anti-seize may help prevent seizing.

- s. Place the hardware on the Damper side of the mount into the Mounting Holes to secure the Base Extrusion.
- t. **If installing with a Quick Release Bracket,** install the motor with the Hex Head Bolts (Item #3) and Clipped Washers (Item #4). Orientate the Clipped Washers so that the flat side of the washer is towards the Base Extrusion. The Bolt should pass through the Clipped Washer, Base Extrusion and into a Quick Release Bracket.

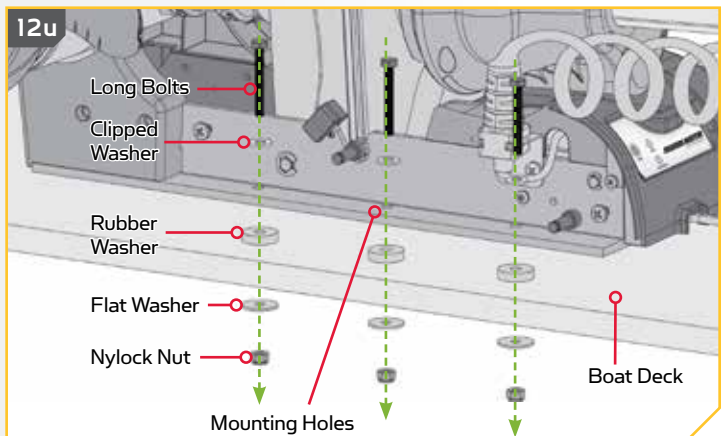
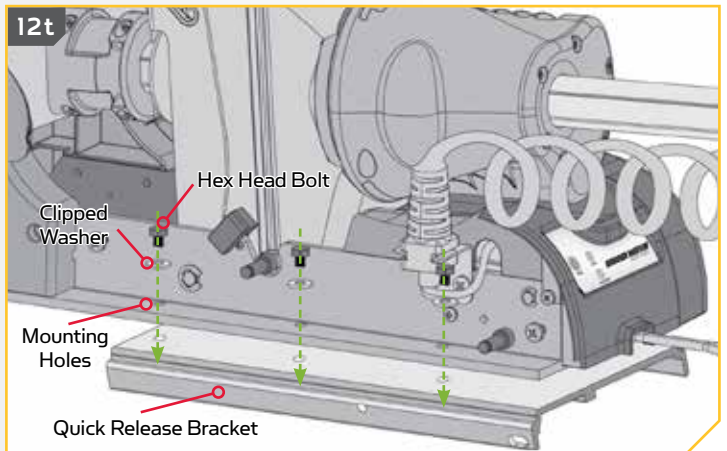
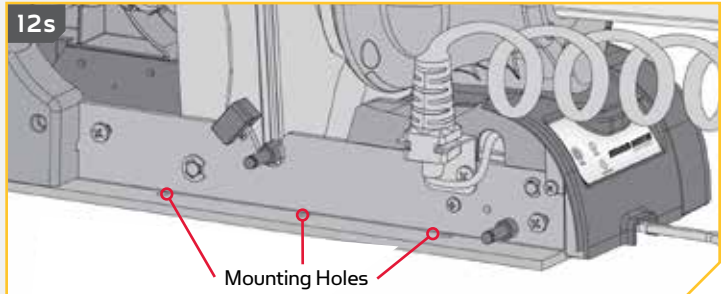
**NOTE:** The Long Bolts, Flat Washers and Nylock Nut are not used when installing the Riptide Ultrerra with a Quick Release Bracket.

- u. **If installing directly to the boat deck,** install the motor with the Long Bolts (Item #2), Clipped Washer (Item #4), Flat Washer (Item #5) and Nylock Nut (Item #6). Orientate the Clipped Washers so that the flat side of the washer is towards the Base Extrusion. The Bolt should pass through the Clipped Washer, the Base Extrusion, the Rubber Washer and then through the Boat Deck. The Bolt should be secured by first adding the Flat Washer (Item #5) and then securing with a Nylock Nut (Item #6).

**NOTE:** The Short Bolts are not used when installing the Riptide Ultrerra directly to the boat.

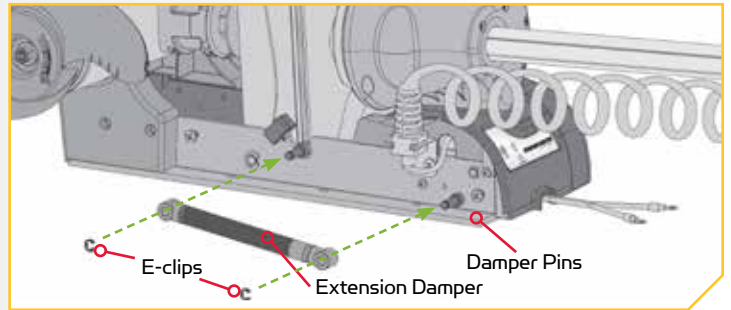
## CAUTION

Use extra care to avoid pinching and damaging the sensor wires that run along side of the Base Extrusion when installing and tightening the motor mounting bolts.



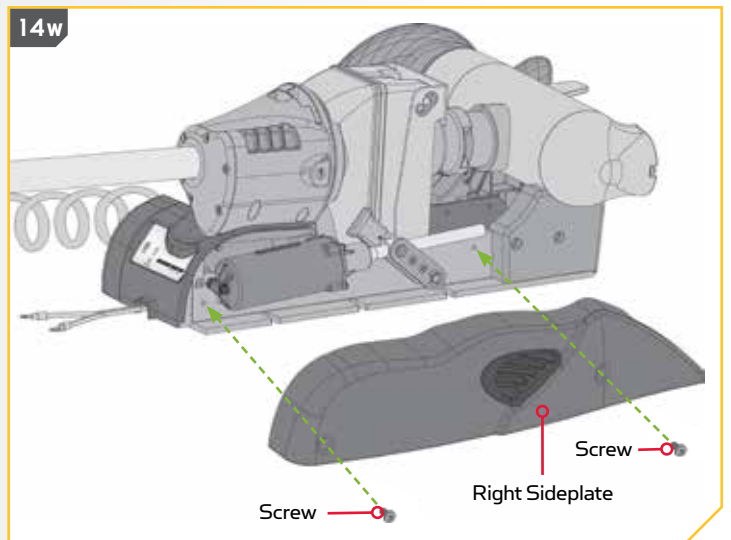
## 13

- v. At this point in the installation process the Motor should be secured to the deck of the boat, and the Motor can now be reassembled. The Extension Damper can be slid back in place on the Damper Pins. This should be done so the shaft on the Damper is pointing inboard. Reinstall the two 5/16" E-clips.

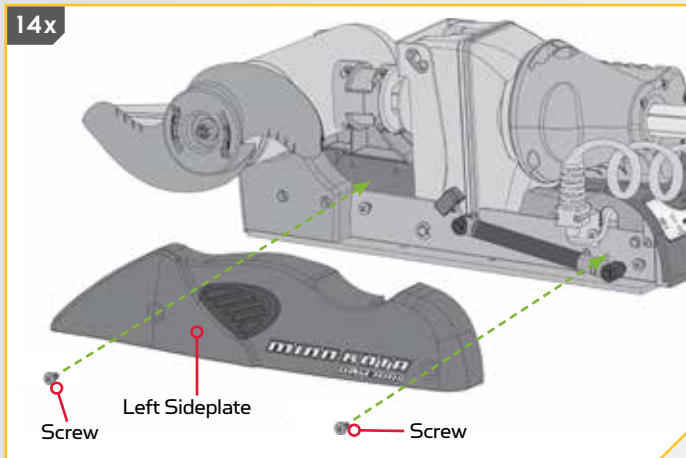


## 14

- w. Replace the Right Sideplate.
- x. Replace the Left Sideplate.
- y. Replace the four sideplate Screws using a #2 or #3 Phillips Screw Driver.



### 14x



## ROUTING i-PILOT LINK CABLES

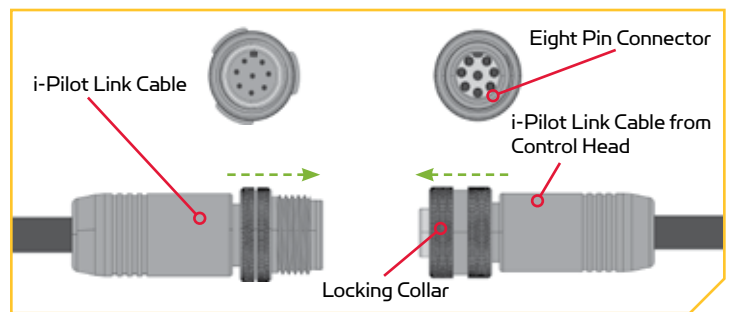
### Routing i-Pilot Link Cables

Your trolling motor will also be pre-installed with either i-Pilot or i-Pilot Link. To learn more about the GPS capabilities available with your i-Pilot or i-Pilot Link navigation system, please refer to the corresponding Owner's Manual by visiting [minnkotamotors.com](http://minnkotamotors.com).

The i-Pilot Link features require a cable to be connected to an output device. This connection is present on the trolling motor below the Control Head, if installed. The i-Pilot system does not need an external wired connection. If only one connection is present, your motor is equipped with the i-Pilot Link system. If no connections are present, your motor may or may not be installed with i-Pilot. Please follow the Minn Kota recommendations on routing the cables to optimize mobility and maximize functionality. The routing will be the same regardless of the number of cables present. Use the following instructions to properly route cables.

Cables are shielded to minimize interference. To protect this shielding the cables should not be pulled tight against sharp angles or hard objects. If using cable ties, do not over-tighten. Any excess cable should be bundled in a loose loop of no less than 4" in diameter.

To minimize trolling motor interference, ensure that the fish finder and trolling motor are powered by separate batteries. Please refer to the Battery & Wiring Installation and Motor Wiring Diagram sections of this manual for correct rigging instructions.



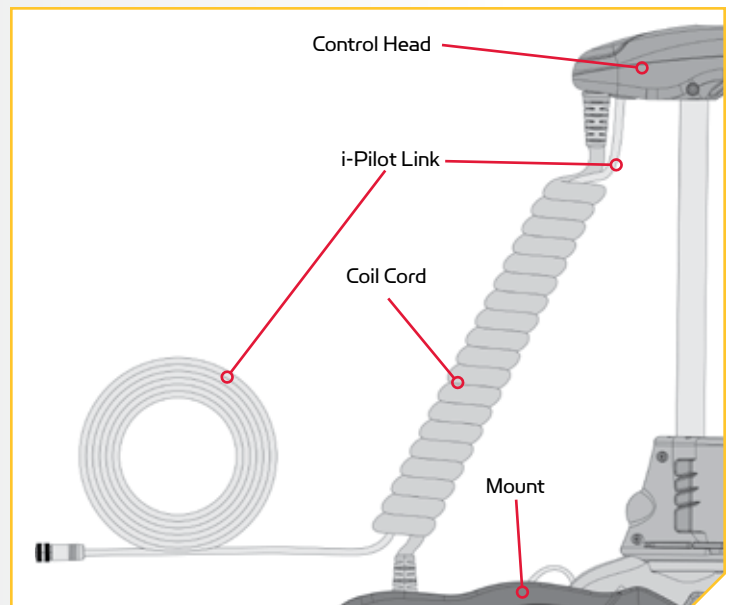
1

- a. Deploy the Motor.
- b. Locate the i-Pilot Link cable, at the base of the Control Head.

### CAUTION

Not following the recommended wire routing for the i-Pilot Link cable, if equipped, may cause damage to the product and void your product warranty. Route cables away from pinch points or other areas that may cause them to bend in sharp angles. Routing the cables in any way other than directed may cause damage to the cables by being pinched or severed.

- c. The i-Pilot Link cable should be fed all the way through the Coil Cord. They should exit the Coil Cord at the bottom of the Coil Cord, where it connects to the Motor Mount.



**NOTE:** After the i-Pilot Link Cable exits the Coil Cord, it should be routed through an established routing system on the boat, in an area with minimal interference. Inspect the selected route carefully to ensure that there are no sharp edges, obstacles, or obstructions that may damage the cables.



# BATTERY WIRING & INSTALLATION

## BOAT RIGGING & PRODUCT INSTALLATION

For safety and compliance reasons, we recommend that you follow American Boat and Yacht Council (ABYC) standards when rigging your boat. Altering boat wiring should be completed by a qualified marine technician. The following specifications are for general guidelines only:

### CAUTION

These guidelines apply to general rigging to support your Minn Kota motor. Powering multiple motors or additional electrical devices from the same power circuit may impact the recommended conductor gauge and circuit breaker size. If you are using wire longer than that provided with your unit, follow the conductor gauge and circuit breaker sizing table below. If your wire extension length is more than 25 feet, we recommend that you contact a qualified marine technician.

### CAUTION

**An over-current protection device (circuit breaker or fuse) must be used.** Coast Guard requirements dictate that each ungrounded current-carrying conductor must be protected by a manually reset, trip-free circuit breaker or fuse. The type (voltage and current rating) of the fuse or circuit breaker must be sized accordingly to the trolling motor used. The table below gives recommended guidelines for circuit breaker sizing.

## CONDUCTOR GAUGE AND CIRCUIT BREAKER SIZING TABLE

This conductor and circuit breaker sizing table is only valid for the following assumptions:

1. No more than 2 conductors are bundled together inside of a sheath or conduit outside of engine spaces.
2. Each conductor has 105° C temp rated insulation.
3. No more than 5% voltage drop allowed at full motor power based on published product power requirements.

Motor Thrust / Model	Max Amp Draw	Circuit Breaker	Wire Extension Length				
			5 feet	10 feet	15 feet	20 feet	25 feet
30 lb.	30	50 Amp @ 12 VDC	10 AWG	10 AWG	8 AWG	6 AWG	4 AWG
40 lb., 45 lb.	42		10 AWG	8 AWG	6 AWG	4 AWG	4 AWG
50 lb., 55 lb.	50	60 Amp @ 12 VDC	8 AWG	6 AWG	4 AWG	4 AWG	2 AWG
70 lb.	42	50 Amp @ 24 VDC	10 AWG	10 AWG	8 AWG	8 AWG	6 AWG
80 lb.	56	60 Amp @ 24 VDC	8 AWG	8 AWG	8 AWG	6 AWG	6 AWG
101 lb.	46	50 Amp @ 36 VDC	8 AWG	8 AWG	8 AWG	8 AWG	8 AWG
Engine Mount 101	50	60 Amp @ 36 VDC	8 AWG	6 AWG	4 AWG	4 AWG	2 AWG
112 lb.	52	60 Amp @ 36 VDC	8 AWG	8 AWG	8 AWG	8 AWG	8 AWG
Engine Mount 160	116	(2) x 60 Amp @ 24 VDC	2 AWG	2 AWG	2 AWG	2 AWG	2 AWG
E-Drive	40	50 Amp @ 48 VDC	10 AWG	10 AWG	10 AWG	10 AWG	10 AWG

**NOTE:** Wire Extension Length refers to the distance from the batteries to the trolling motor leads. Consult website for available thrust options. Maximum Amp Draw values only occur intermittently during select conditions and should not be used as continuous amp load ratings.

### Reference

United States Code of Federal Regulations: 33 CFR 183 – Boats and Associated Equipment ABYC E-11: AC and DC Electrical Systems on Boats

## SELECTING THE CORRECT BATTERIES

---

### SELECTING THE CORRECT BATTERIES

The motor will operate with any lead acid, deep cycle marine 12 volt battery/batteries. For best results, use a deep cycle, marine battery with at least a 105 amp-hour rating. Maintain battery at full charge. Proper care will ensure having battery power when you need it, and will significantly improve the battery life. Failure to recharge lead-acid batteries (within 12-24 hours) is the leading cause of premature battery failure. Use a multi-stage charger to avoid overcharging. We offer a wide selection of chargers to fit your charging needs. If you are using a crank battery to start a gasoline outboard, we recommend that you use a separate deep cycle marine battery/batteries for your Minn Kota trolling motor. For more information on battery selection and rigging, please visit [minnkotamotors.com](http://minnkotamotors.com).

#### **WARNING**

Never connect the (+) and the (-) terminals of the same battery together. Take care that no metal object can fall onto the battery and short the terminals. This would immediately lead to a short and extreme fire danger.

#### **CAUTION**

Refer to “Conductor Gauge and Circuit Breaker Sizing Table” in the previous section to find the appropriate circuit breaker or fuse for your motor. For motors requiring a 60-amp breaker, the Minn Kota MKR-19 60-amp circuit breaker is recommended.

#### **CAUTION**

Please read the following information before connecting your motor to your batteries in order to avoid damaging your motor and/or voiding your warranty.

## ADDITIONAL CONSIDERATIONS

### Using DC or Alternator Chargers

Your Minn Kota trolling motor may be designed with an internal bonding wire to reduce sonar interference. Most alternator charging systems do not account for this bonding wire, and connect the negative posts of the trolling motor batteries to the negative posts of the crank/starting battery. These external connections can damage connected electronics and the electrical system of your trolling motor, voiding your warranty. Review your charger’s manual carefully or consult the manufacturer prior to use to ensure your charger is compatible.

Minn Kota recommends using Minn Kota brand chargers to recharge the batteries connected to your Minn Kota trolling motor, as they have been engineered to work with motors that include a bonding wire.

### Additional Accessories Connected to Trolling Motor Batteries

Significant damage to your Minn Kota motor, your boat electronics, and your boat can occur if incorrect connections are made between your trolling motor batteries and other battery systems. Minn Kota recommends using an exclusive battery system for your trolling motor. Where possible, accessories should be connected to a separate battery system. Radios and sonar units should not be connected to any trolling motor battery systems as interference from the trolling motor is unavoidable. If connecting any additional accessories to any trolling motor battery system, or making connections between the trolling motor batteries and other battery systems on the boat, be sure to carefully observe the information that follows.

The negative (-) connection must be connected to the negative terminal of the same battery that the trolling motor negative lead connects to. In the diagrams below this battery is labeled “Low Side” Battery. Connecting to any other trolling motor battery will input positive voltage into the “ground” of that accessory, which can cause excess corrosion. Any damage caused by incorrect connections between battery systems will not be covered under warranty.

### Automatic Jump Start Systems and Selector Switches

Automatic jump start systems and selector switches tie the negatives of the connected batteries together. Connecting these systems to the “High Side” Battery or “Middle” Battery in the diagrams below and will cause significant damage to your trolling motor and electronics. The only trolling motor battery that is safe to connect to one of these systems is the “Low Side” Battery.

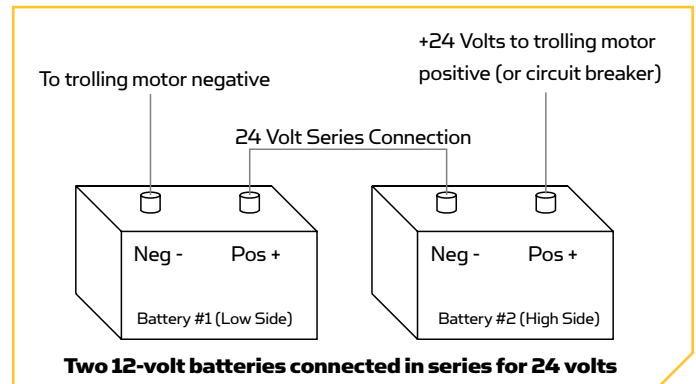
**NOTE:** The internal bonding wire is equipped with a 3 amp fuse. Improper connections described above carrying in excess of 3 amps will blow this fuse and no further damage will be exhibited. If this occurs, RF interference from the trolling motor affecting sonar units and other electronics will be more significant. If the fuse is blown the wiring error should be found and addressed prior to replacing the fuse. The replacement fuse should be 3 amps or less. An intact fuse does not imply correct rigging; significant damage can be done by incorrect wiring without approaching 3 amps of current.

## CONNECTING THE BATTERIES IN SERIES (IF REQUIRED FOR YOUR MOTOR)

### 24 Volt Systems

Two 12 volt batteries are required. The batteries must be wired in series, only as directed in wiring diagram, to provide 24 volts.

1. Make sure that the motor is switched off (speed selector on “0”).
2. Connect a connector cable to the positive (+) terminal of battery 1 and to the negative (-) terminal of battery 2.
3. Connect positive (+) red motor lead to positive (+) terminal on battery 2.
4. Connect negative (-) black motor lead to negative (-) terminal of battery 1.



## ⚠ WARNING

For safety reasons do not switch the Prop on until the propeller is in the water. If installing a leadwire plug, observe proper polarity and follow instructions in your boat owner’s manual.

## ⚠ WARNING

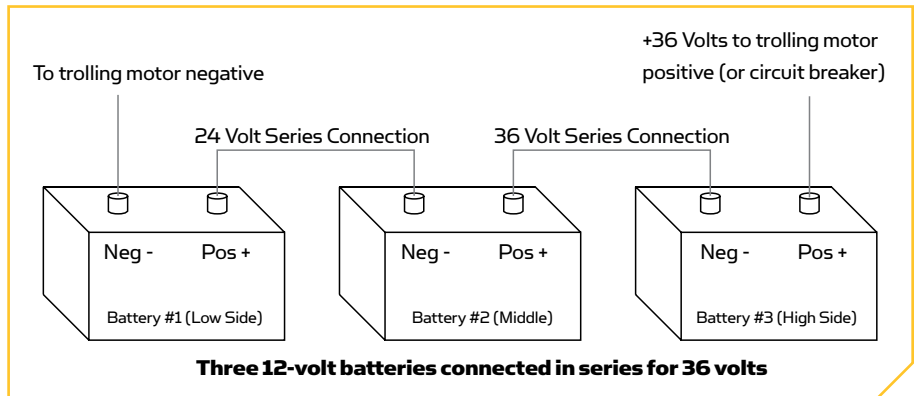
- For safety reasons, disconnect the motor from the battery or batteries when the motor is not in use or while the battery/ batteries are being charged.
- Improper wiring of 24/36 volt systems could cause battery explosion.
- Keep leadwire wing nut connections tight and solid to battery terminals.
- Locate battery in a ventilated compartment.

## CONNECTING THE BATTERIES IN SERIES

### 36 Volt Systems

Three 12 volt batteries are required. The batteries must be wired in series, only as directed in wiring diagram, to provide 36 volts.

1. Make sure that the motor is switched off (speed selector on "0").
2. Connect a connector cable to the positive (+) terminal of battery 1 and to the negative (-) terminal of battery 2 and another connector cable from the positive (+) terminal of battery 2 to the negative (-) terminal of battery of battery 3.
3. Connect positive (+) red motor lead to positive (+) terminal on battery 3.
4. Connect negative (-) black motor lead to negative (-) terminal of battery 1.



### WARNING

For safety reasons do not switch the Prop on until the propeller is in the water. If installing a leadwire plug, observe proper polarity and follow instructions in your boat owner's manual.

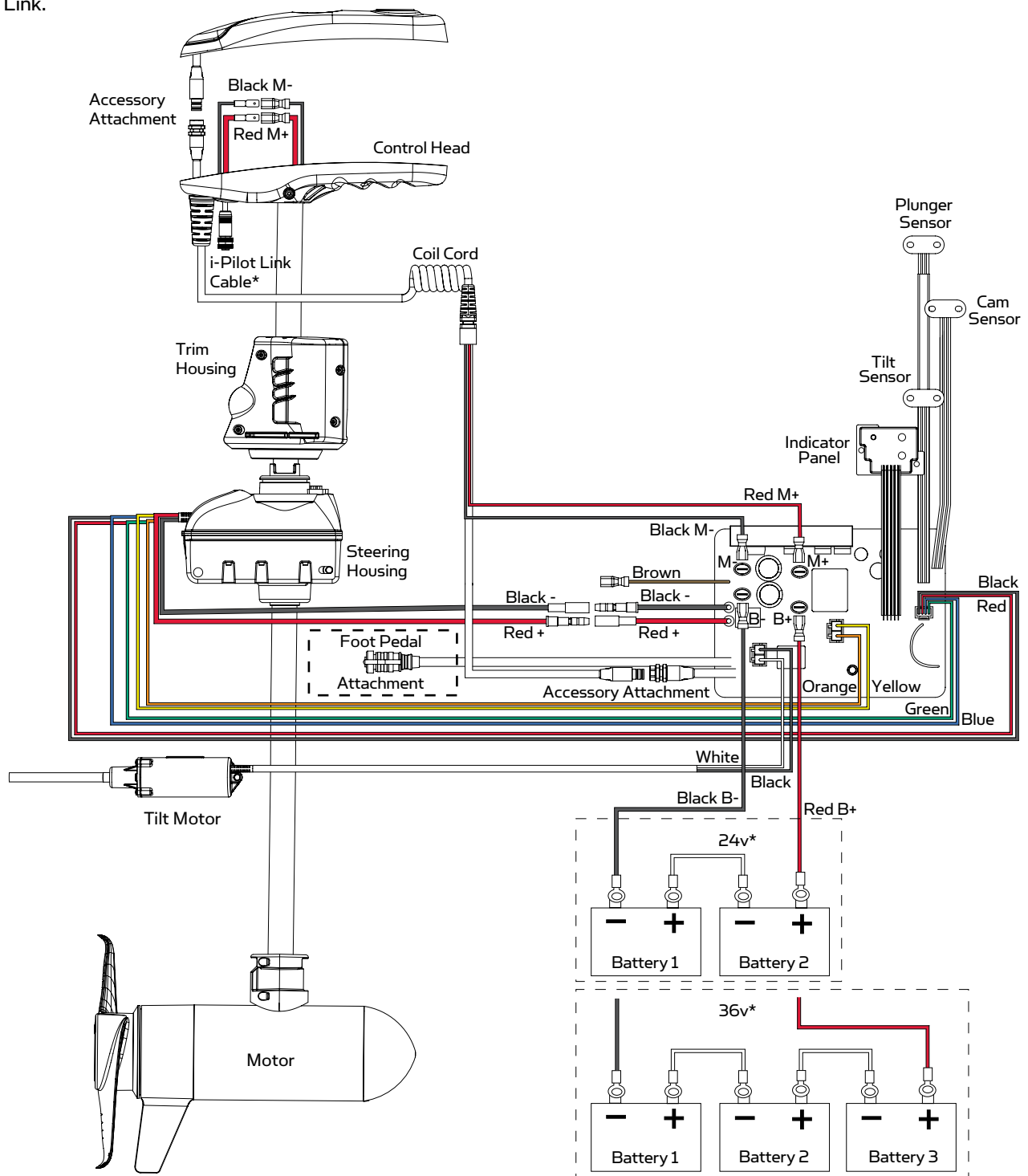
### WARNING

- For safety reasons, disconnect the motor from the battery or batteries when the motor is not in use or while the battery/batteries are being charged.
- Improper wiring of 24/36 volt systems could cause battery explosion.
- Keep leadwire wing nut connections tight and solid to battery terminals.
- Locate battery in a ventilated compartment.

# MOTOR WIRING DIAGRAM

## RIPTIDE ULTERRA WITH i-PILOT OR i-PILOT LINK

The following Motor Wiring Diagram applies to all Riptide Ultra models that come factory installed with either i-Pilot or i-Pilot Link.

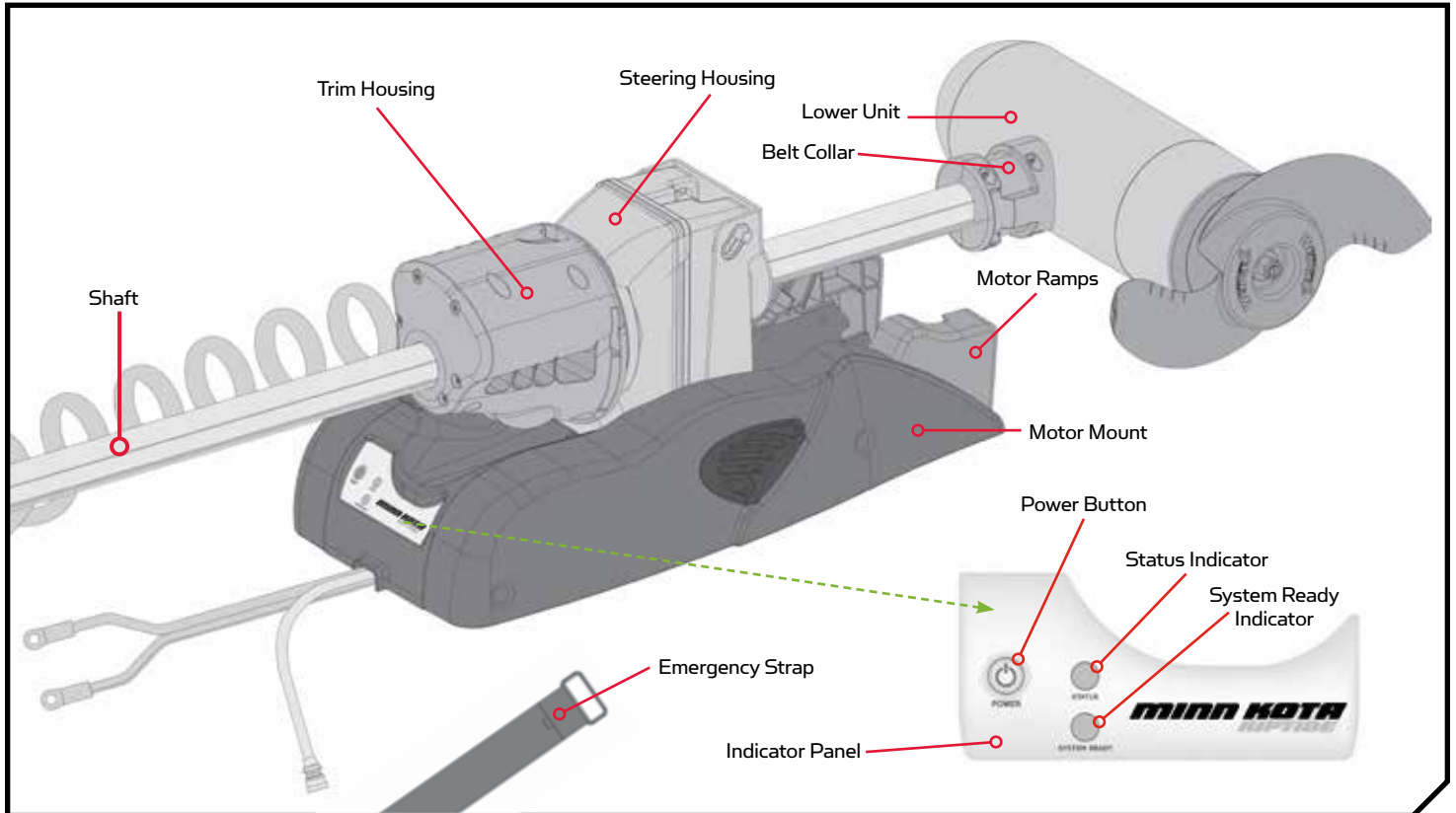


**NOTE:** This is a multi-voltage diagram. Double-check your motor's voltage for proper connections. Over-Current Protection Devices are not shown in this illustration. i-Pilot Link Cable attachment for i-Pilot Link only.




# USING & ADJUSTING THE MOTOR

## MOUNT FEATURES

Become familiar with the features of the motor to maximize the capabilities this product offers.



### Power Button

The Riptide Ultra must be powered “on” and “off” manually. The remote will not turn the motor “on” or “off”. The Power button  is located on the base of the motor on the Indicator Panel. Press the Power button to turn the motor “on”. When the motor is in the stowed position, the Status Indicator  will be illuminated red and the System Ready Indicator  will be illuminated green when powered “on”. To power the motor “off”, press and hold the Power button approximately three seconds, until the green light turns off. Riptide Ultra has an auto-shut off as well. It will automatically power off after 1.5 hours of inactivity in the stowed position.


**NOTE:** Remember to turn the power off when the motor is not in use to prevent the motor from draining the battery.


## CAUTION

Make sure that the Power switch is turned off when the motor is not in use. If the motor control is left on and the propeller rotation is blocked, severe motor damage can result.



For safety reasons, disconnect the motor from the battery/batteries when the motor is not in use or while the battery/batteries are being charged.

### Status Indicator

The Status Indicator is located on the Indicator Panel on the base of the motor and works while the motor is powered “on”. The LED associated with the Status Indicator will be illuminated  red when the motor is stowed and will not be

illuminated  when the motor is deployed. When the motor is being either stowed or deployed, the red LED will be flashing.

### System Ready Indicator

The System Ready Indicator is located on the Indicator Panel on the base of the motor and works while the motor is powered “on”. The LED associated with the System Ready Indicator will be illuminated  green when the motor is operating. If the green light does not remain illuminated  after power up, this is an indicator of insufficient voltage/power.



## WARNING

When stowing or deploying the motor, keep fingers clear of all hinges, pivot points, pinch points and all moving parts.

### Motor Mount

The Motor Mount is designed to securely hold the motor in place on the deck of the boat. It functions to stow and lock the motor flat on the deck when not in use by providing secure stowage for transport. The motor mount also positions the motor when it is in the deployed position.

### Mount Ramp

The Mount Ramp functions to hold the Lower Unit in place when the motor is stowed. The Lower Unit will rest on the Mount Ramp when stowed, helping to secure it in place.

### Emergency Strap

The Emergency Strap must be used to place pressure on the motor shaft to hold the lower unit tightly against the Motor Ramps when the motor is manually stowed. The Emergency Strap should be secured every time the motor is manually stowed to prevent damage from high wind, rough water or vibrations, including while the boat is trailered. See the “Manually Stowing the Riptide Ulterra” section of the manual for more information on when the Emergency Strap is needed.

### Belt Collar

The Belt Collar holds the lower portion of the Lift Belt in place. The Lift Belt is runs along the motor Shaft and is used to stow and deploy the motor. See the “Adjusting the Left Belt” section of this manual if the Lift Belt becomes loose anywhere along the Shaft above the Belt Collar.



## WARNING

When the motor is being transported, it is important to always stow the Motor and make sure it is locked in place. A secure stow holds the motor in place during transportation when it is subject to high levels of shock and vibration. Failure to stow the motor may result in injury or damage to the unit.



## WARNING

If a propeller encounters an obstruction while running, the increased electrical current being generated by the obstruction will signal the motor to decrease the power to the propeller to prevent damage. If the current overload is detected for more than 20 seconds, the prop will be disabled to prevent damage to the motor. In this event, the operator can turn the prop back on after being sure that the obstruction has been cleared.

## CHANGE THE PROP ORIENTATION

### MOTOR ADJUSTMENTS

#### Change the Prop Orientation

When the motor is mounted onto the boat, the orientation of the Prop may be changed to either Inboard or Outboard to accommodate different boat cover configurations. Complete the following steps to change prop orientation.

### WARNING

When the motor is powered “off” while off the Motor Ramps, never turn the lower unit of the motor manually (by hand). This will affect the alignment of the motor and cause it to stow improperly.

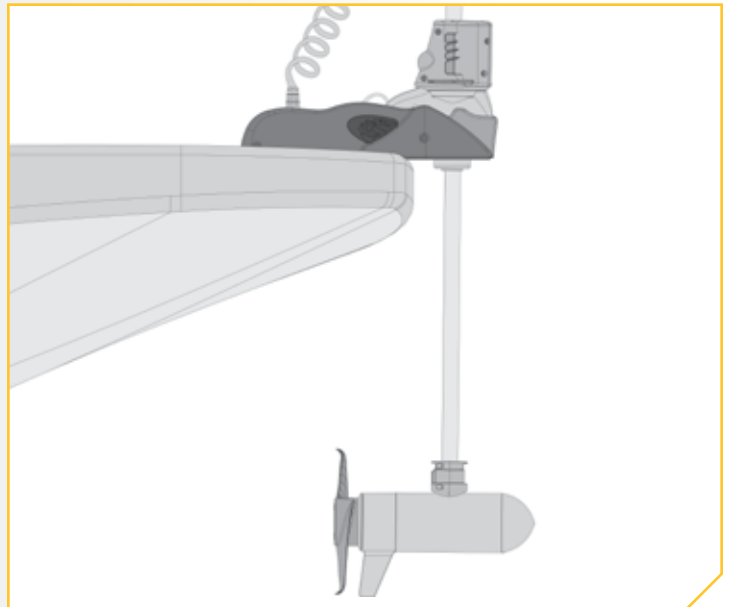
1

- a. Be sure the motor is connected to a power source and turn the motor “on”.

### WARNING

When stowing or deploying the motor, keep fingers clear of all hinges, pivot points and all moving parts. When stowing and deploying the motor, ensure that it doesn't contact the boat, trailer, or any other obstruction.

- b. Deploy the motor using the Stow/Deploy Button on the Foot Pedal or using the i-Pilot or i-Pilot Link remote.

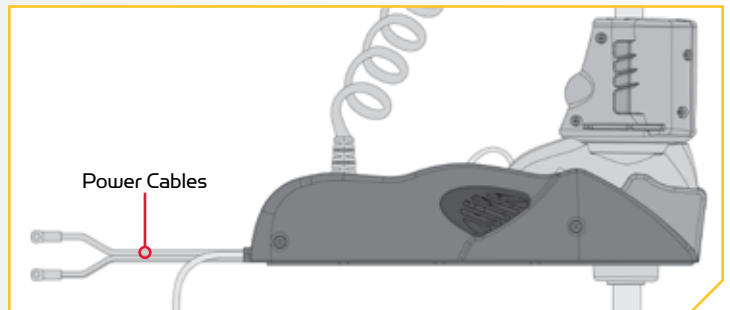


2

- c. Turn the motor “off”. Make sure the Power Cables from the battery are disconnected, or that the breaker, if equipped, is “off”.

### WARNING

Make sure the motor is mounted on a level surface and is not connected to a power source.





## CHANGE THE PROP ORIENTATION

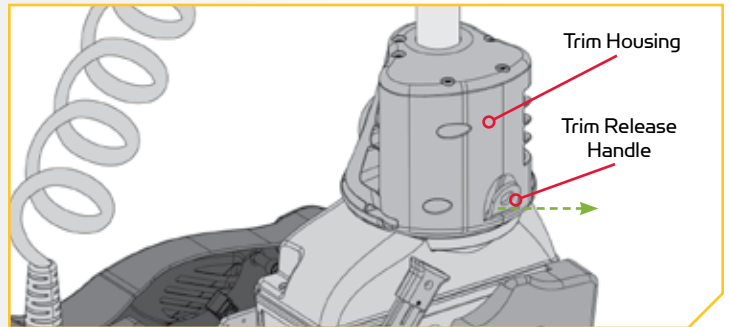
3

- d. Locate the Trim Release Handle on the Side of the Trim Housing. Grasp the Trim Release Handle and pull it out.



### WARNING

When using the Trim Handle or moving the Trim Housing, keep fingers clear of all hinges, pivot points and all moving parts above and below the Trim Housing.



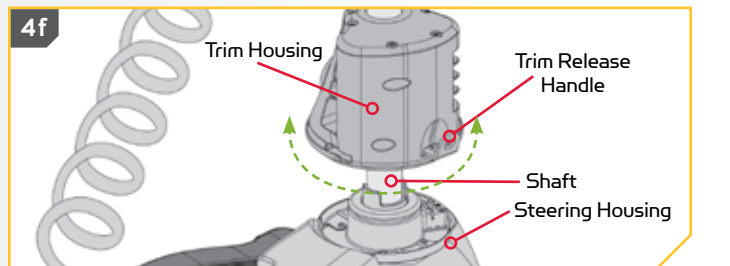
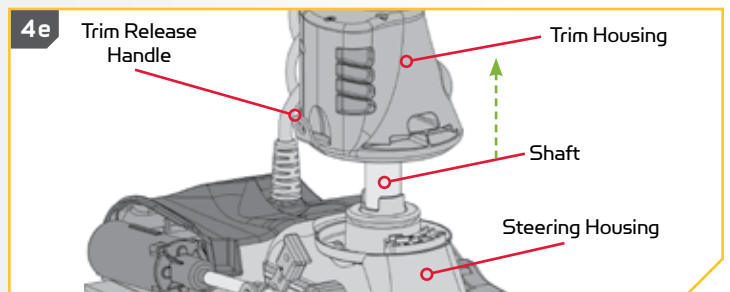
4



### WARNING

When lifting the Trim Housing off the Steering Housing, power connections are exposed. Keep fingers and metal objects clear of exposed connections. The power from the connection is removed after 10 seconds once the connection is exposed.

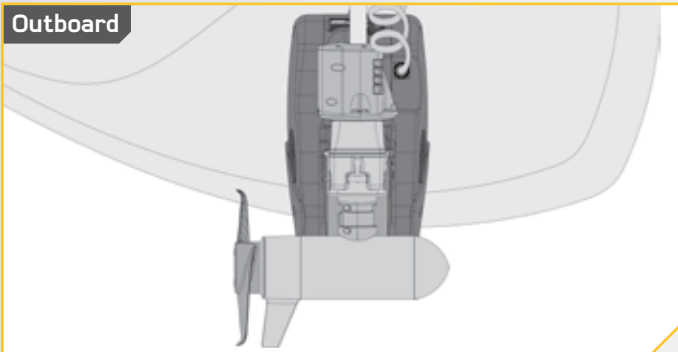
- e. While holding the Trim Release Handle out, grasp the Trim Housing and Shaft and lift them up off the Steering Housing.
- f. While holding Trim Housing and Shaft up, rotate them 180 degrees.



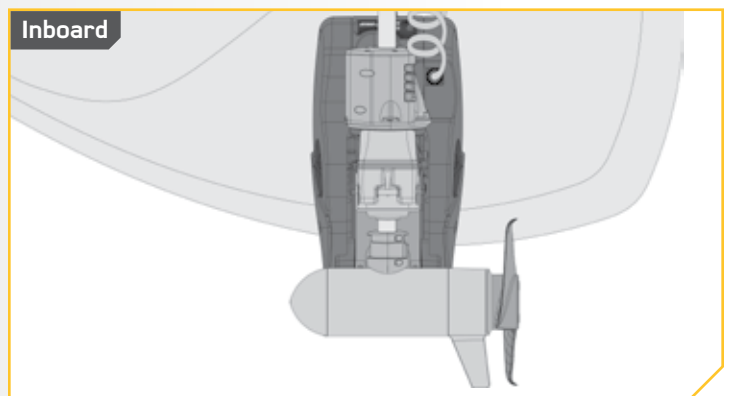
5

- g. The Trim Housing and Shaft may be turned either clockwise, or counterclockwise depending on if the motor is originally mounted on either the Port or Starboard side of the boat and the necessary accommodations that will be needed for each individual situation.

Outboard



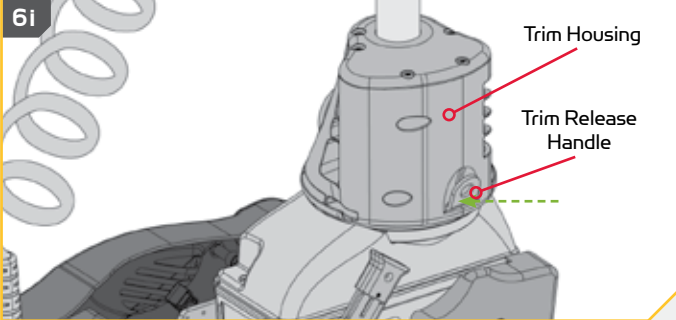
Inboard



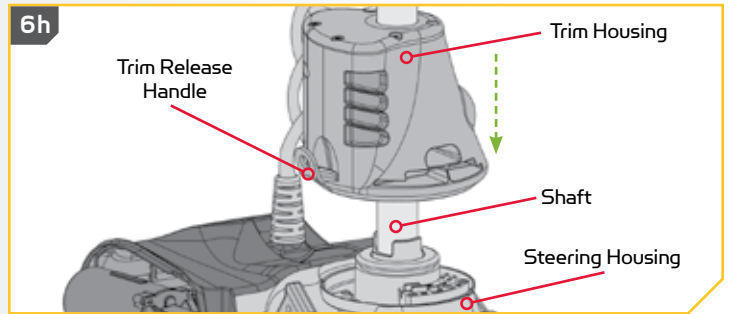
## CHANGE THE PROP ORIENTATION

6

- h. Once in the proper orientation, lower the Trim Housing and Shaft onto the Steering Housing.
- i. Let the Trim Release Handle move back in place.

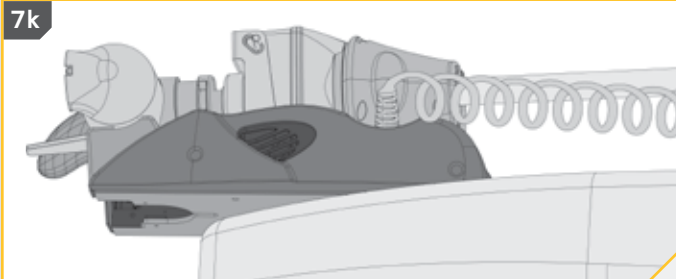


6h

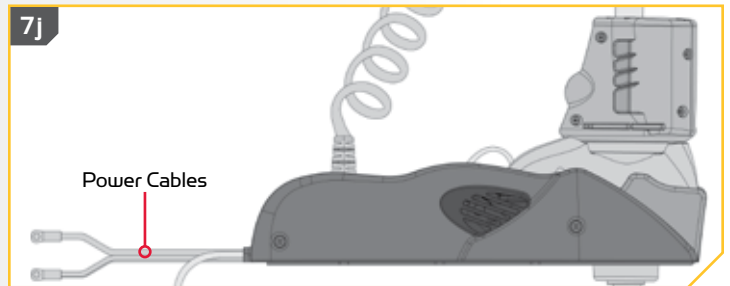


7

- j. Reconnect the Power Cables to the battery and make sure the breaker, if equipped, is turned "on". Turn the motor "on".
- k. Stow the motor using the Stow/Deploy Button on the Foot Pedal or using the i-Pilot or i-Pilot Link remote to check the orientation of the Prop.



7j



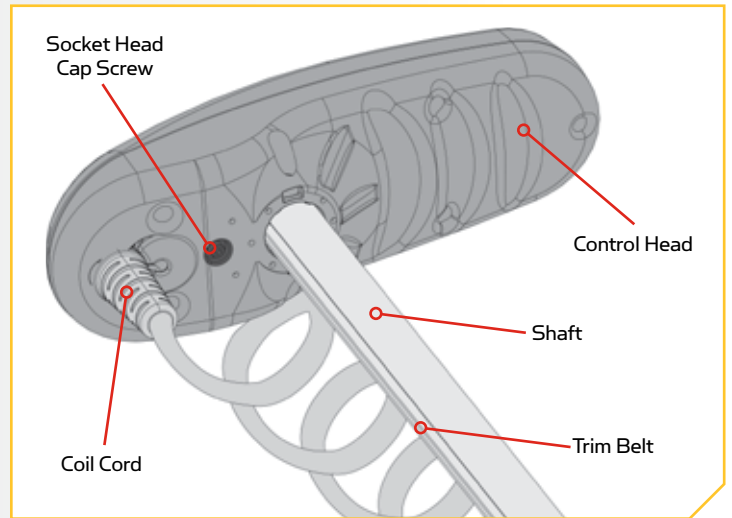
### **WARNING**

When stowing or deploying the motor, keep fingers clear of all hinges, pivot points and all moving parts. When stowing and deploying the motor, ensure that it doesn't contact the boat, trailer, or any other obstruction.

## Adjusting the Lift Belt

The Lift Belt assists in Trimming the Lower Unit up and down. Periodically slack may appear in the Lift Belt along the Shaft of the motor. The screw that hold the tension on the Lift Belt may occasionally require small adjustments to maintain the tension on the belt.

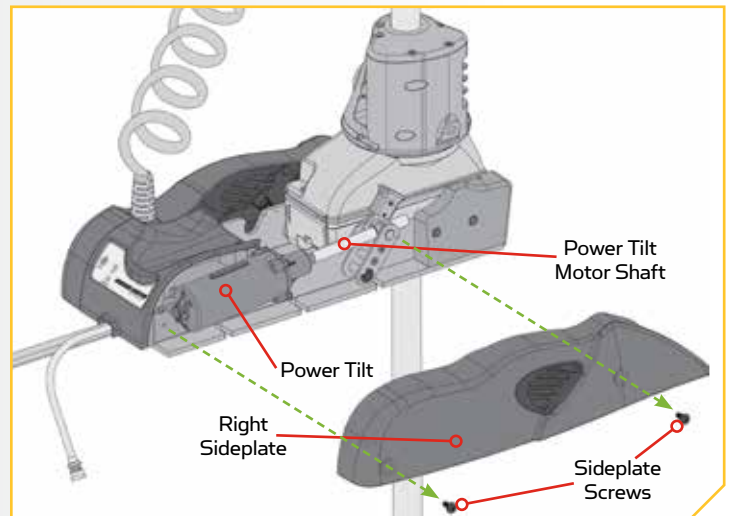
- 1
  - a. Locate the Socket Head Cap Screw on the Bottom of the Control Head. It can be found between the Coil Cord and Shaft. This is the screw that is adjusted to increase the tension on the Lift Belt.
  - b. Using a 5/32" Allen Wrench, turn the Socket Head Cap Screw clockwise to tighten the Lift Belt.
  - c. The screw should be tightened to 8 to 10 inch-lbs.



## Greasing the Latch Pin and Power Tilt Motor Shaft

In order for the Riptide Ulterra to continue running at optimum performance, it is recommended that the Latch Pin and the Motor Shaft for the Power Tilt be greased every season. It is recommended to use a marine grade grease.

- 1
  - a. Deploy the Motor.
  - b. Using a #3 Phillips Screwdriver, remove the Right Sideplate by removing the two screws that hold the sideplate in place. Removing the Right Sideplate will expose the Power Tilt and allow access to the Motor Shaft.
  - c. Apply a marine grade grease to the Power Tilt Motor Shaft.
  - d. Replace the Right Sideplate.



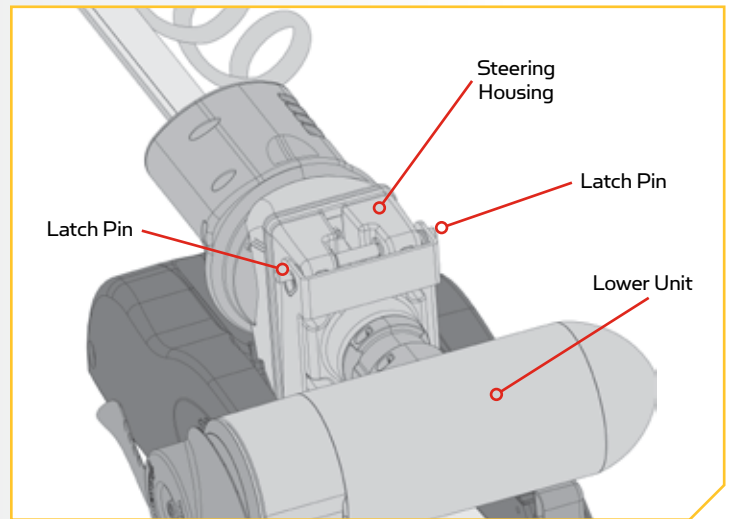
### WARNING

When orientating the motor, keep fingers clear of all hinges, pivot points and all moving parts.

## STOWING FROM THE RIPTIDE ULTERRA MOTOR

2

- e. Stow the Motor and locate the Latch Pin at the bottom of the Steering Housing.
- f. Apply marine grade grease to both ends of the Latch Pin to maintain optimal performance.

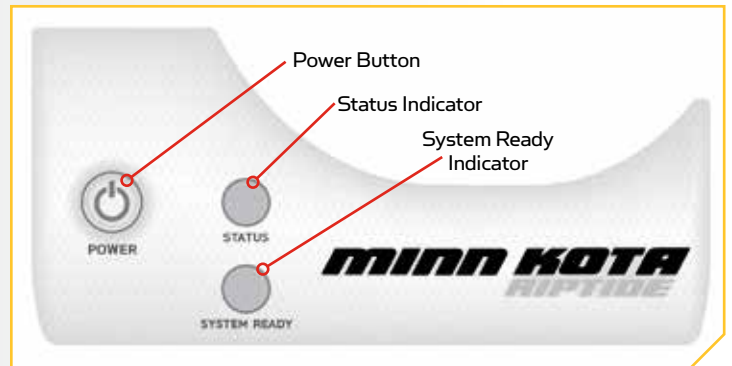


## Stowing from the Riptide Ultra Motor

In the unlikely event your i-Pilot or i-Pilot Link remote becomes non-functioning, you can stow the Riptide Ultra from the base of the motor.

1

- a. Locate the Indicator Panel at the base of the Mount.
- b. Make sure that the motor is on by checking that the green LED next to the System Ready Indicator is on.
- c. Press and hold the Power Button located on the Indicator Panel for 10 seconds.
- d. The red and green LEDs next to the Status (red) and System Ready (green) Indicators will flash alternately, and the motor will begin to stow.



## WARNING

During this procedure the motor will go into an automated sequence. Keep fingers clear of all hinges, pivot points and all moving parts. Ensure that the motor, or parts of the motor do not contact the boat, trailer, persons, or any other obstruction.

## Trim/Stow Reset Procedure

In the unlikely event Riptide Ultrera will not trim or stow, the following procedure will reset the motor and restore functionality. If Riptide Ultrera does not reset, repeat the procedure. If the second attempt fails, please contact your local authorized service center or call Minn Kota service at (800) 227-6433.

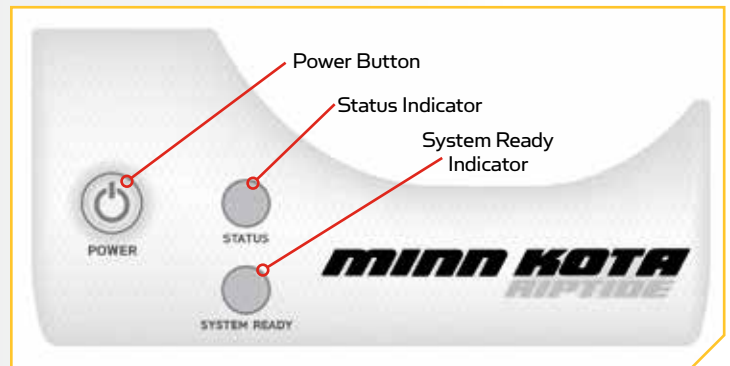
1

### **WARNING**

During this procedure the motor will go into an automated sequence. Keep fingers clear of all hinges, pivot points and all moving parts. Ensure that the motor, or parts of the motor do not contact the boat, trailer, persons, or any other obstruction.

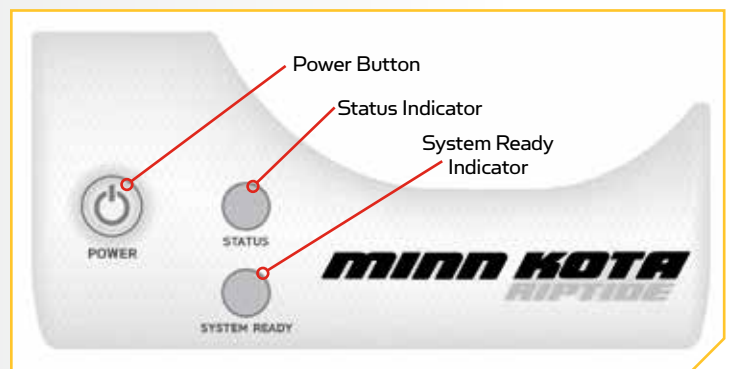
- a. Locate the Indicator Panel at the base of the Mount.
- b. Press and hold the Power Button located on the Indicator Panel to turn the motor off. Make sure that the motor is off by checking that the green LED light next to the System Ready Indicator is off.
- c. Press the Power Button until the green LED illuminates and the motor is turned on.
- d. Wait 3 seconds.

**NOTE:** If the Lower Unit of the motor is trimmed within 6 inches of the Mount and the boat Hull is obstructing the motor's turning radius, manually turn the Control Head of the motor so that the Lower Unit is perpendicular to the Motor Ramps prior to beginning this procedure.



2

- e. Press the Power Button 3 times consecutively within a 2 second period.
- f. The red and green LEDs will flash continuously and the Riptide Ultrera will go through the following automated sequence:
  - The motor will position itself into the proper orientation.
  - The motor will automatically trim up to the Mount and then trim down approximately 6 inches.
  - The flashing red LED next to the System Ready Indicator will turn off, and the flashing green LED next to the Status Indicator will become solid green.



### Manually Stowing the Riptide Ulterra

In the unlikely event that the motor will not stow from either the i-Pilot or i-Pilot Link remote or the Foot Pedal, the following alternative stow methods should solve the issue:

1. Trim/Stow Reset Procedure
2. Stowing from the Riptide Ulterra Motor
3. If your batteries lose power to the level that the motor will not stow, the motor will most likely stall at a 45 degree angle. If this occurs, reengage power, deploy the motor, trim motor to its highest setting, and turn power off until batteries can be recharged. Once batteries are charged, attempt to stow motor again.

If all three alternative methods have been tried and the motor will still not stow, there is a method to manually stow the motor.

### CAUTION

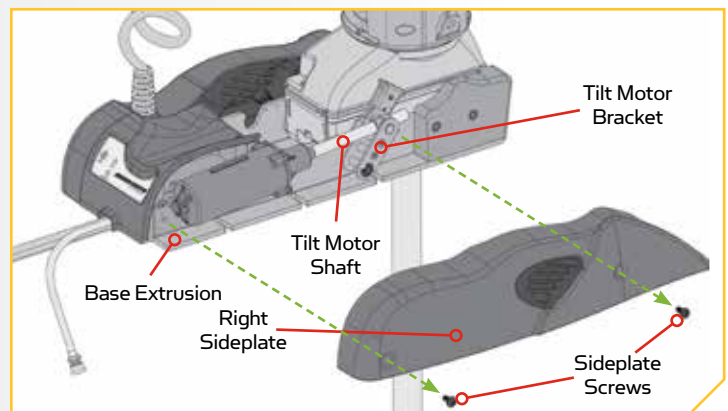
Once the motor has been manually stowed, it will be non-operational until it is manually reset by an authorized service center.

If a manual stow must be done, follow the instructions below:

- 1 a. While the motor is in the deployed position, use a #3 Phillips Screwdriver, to remove the Right Sideplate. Do this by removing the two screws that hold the sideplate in place.

### WARNING

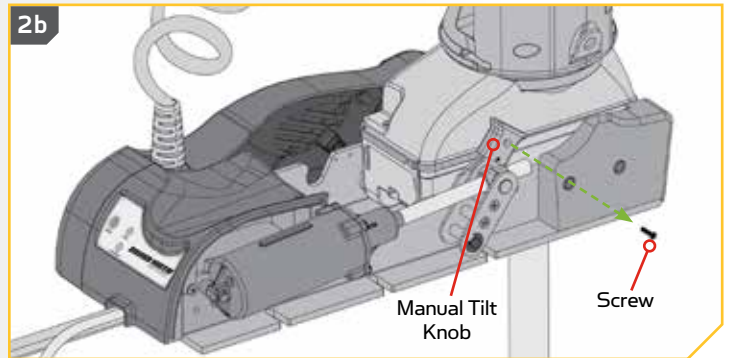
Moving parts can cut or crush. When using the Trim Handle or moving the Trim Housing, keep fingers clear of all hinges, pivot points and all moving parts. The Tilt Motor Shaft and Tilt Motor Bracket can create a shear point between the Base Extrusion. Use caution when the sideplate is removed and mechanical parts are in motion.



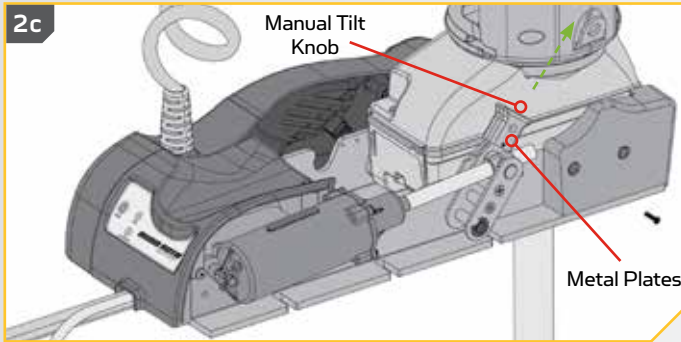
2

- b. Using a #2 Phillips Screwdriver, loosen the screw on the Manual Tilt Knob.
- c. The Manual Tilt Knob holds two Metal Plates together. Using a Flat Blade Screwdriver pry up on the Manual Tilt Knob until it releases from the Metal Plates.

2b



2c



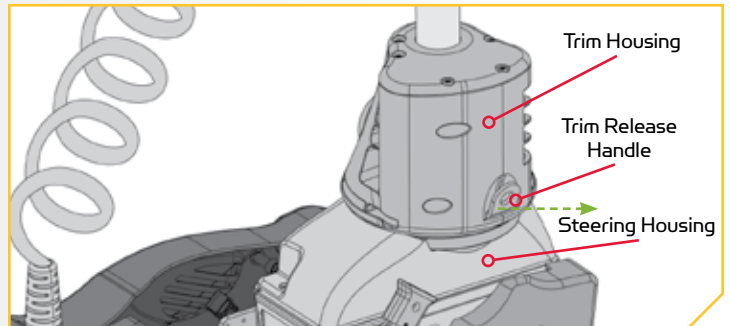
3

- d. Locate the Trim Release Handle on the Side of the Trim Housing. Grasp the Trim Release Handle and pull it out.



## WARNING

When using the Trim Handle or moving the Trim Housing, keep fingers clear of all hinges, pivot points and all moving parts above and below the Trim Housing.



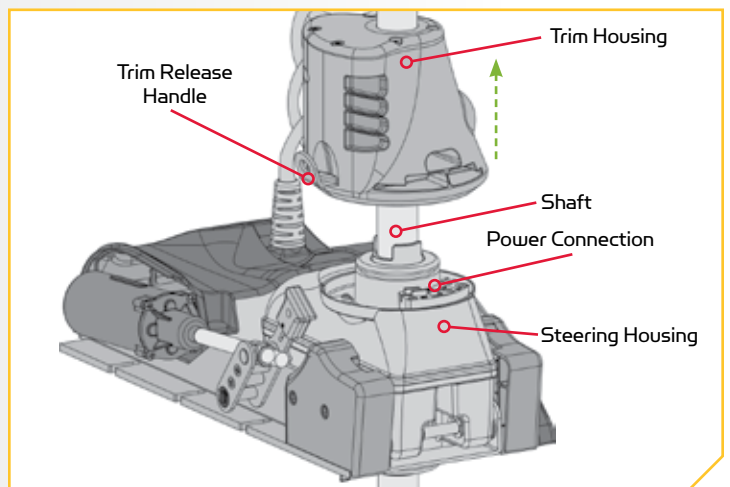
4

- e. While holding the Trim Release Handle out, grasp the Trim Housing and Shaft and lift them up off the Steering Housing.
- f. Lift up on the Trim Housing until Shaft and Trim Housing can be pulled up by hand.



## WARNING

When lifting the Trim Housing off the Steering Housing, power connections are exposed. Keep fingers and metal objects clear of exposed connections. The power from the connection is removed after 10 seconds once the connection is exposed.

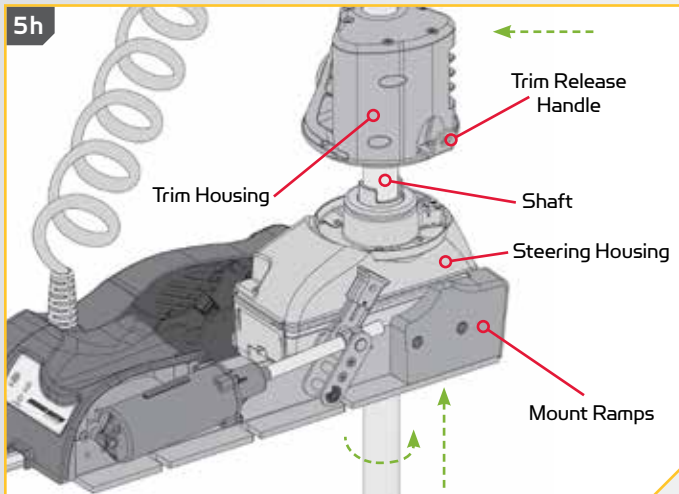


## MANUALLY STOWING THE RIPTIDE ULTERRA

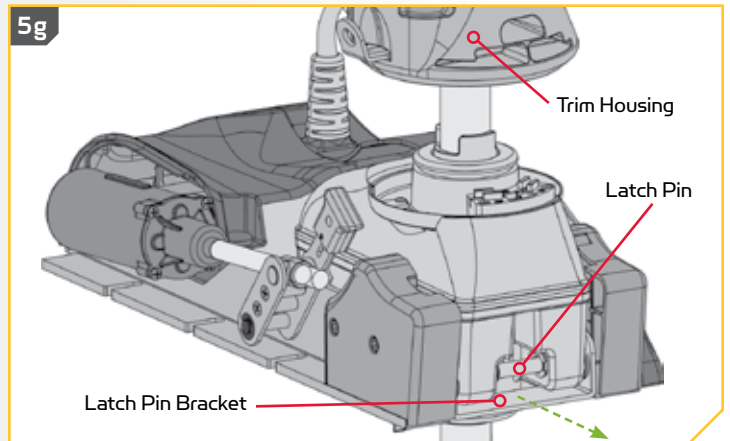
5

- g. While the Trim Housing and Shaft are lifted up, release the Latch Pin Bracket.
- h. Lift the Trim Housing, Shaft and Lower Unit up, and rotate it.
- i. Pull the Lower Unit onto the Mount Ramps.

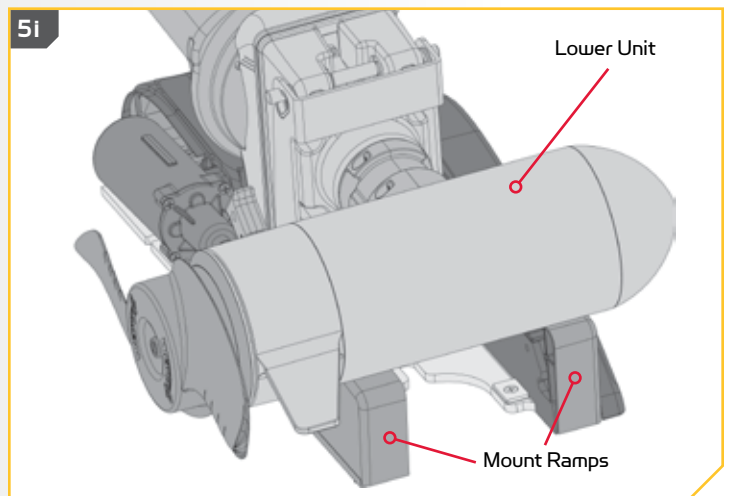
5h



5g

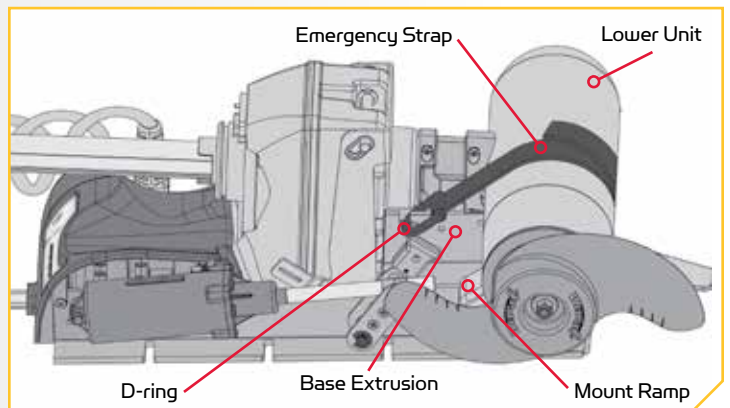


5i



6

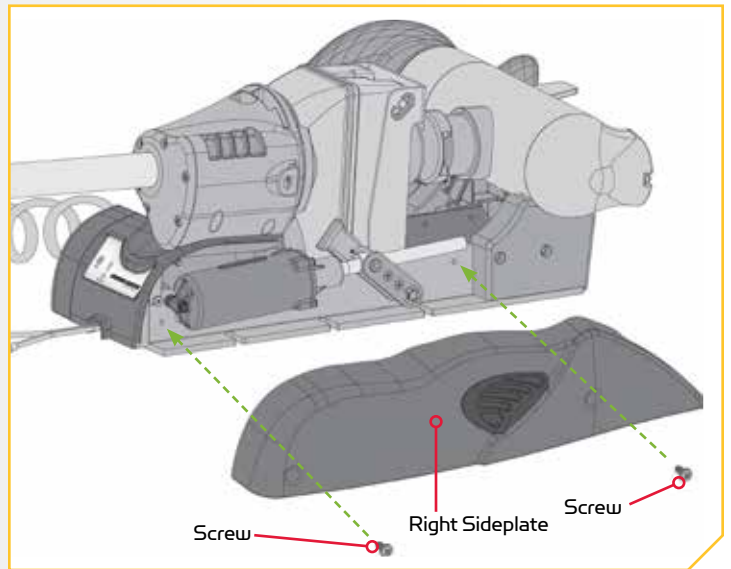
- j. Secure the Lower Unit onto the Mount Ramps using the Emergency Strap that was provided with the motor. The D-ring on the Emergency Strap can be hooked into the Base Extrusion below the sideplate that was removed.
- k. With the D-ring secured, wrap the Emergency Strap around the Lower Unit and secure it to itself. The Emergency Strap should be pulled tight enough that the Lower Unit rests securely on the Mount Ramps.





7

- I. While the motor is in the stowed position, use a #3 Phillips Screwdriver, to replace the Right Sideplate, if desired. Do this by replacing the two screws that hold the sideplate in place.



# SERVICE & MAINTENANCE

## PROPELLER REPLACEMENT

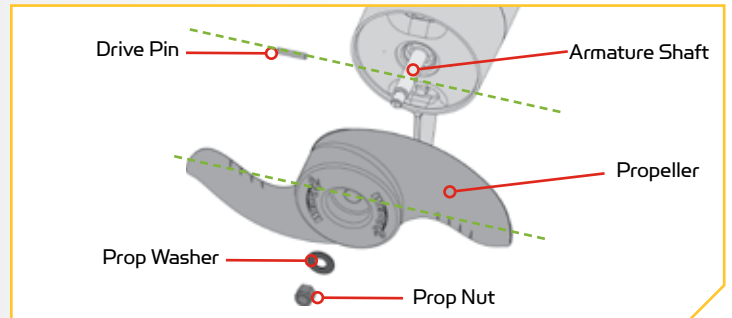
### TOOLS AND RESOURCES REQUIRED

- 9/16" Open End Wrench
- Flat Blade Screwdriver

### INSTALLATION

- a. Disconnect the motor from all sources of power prior to changing the propeller.
  - b. Hold the propeller and loosen the Prop Nut with a pliers or a wrench.
  - c. Remove the Prop Nut and Prop Washer.

**NOTE:** If the Drive Pin is sheared or broken, you will need to hold the shaft stationary with a flat blade screwdriver pressed into the slot on the end of the shaft while you loosen the Prop Nut.



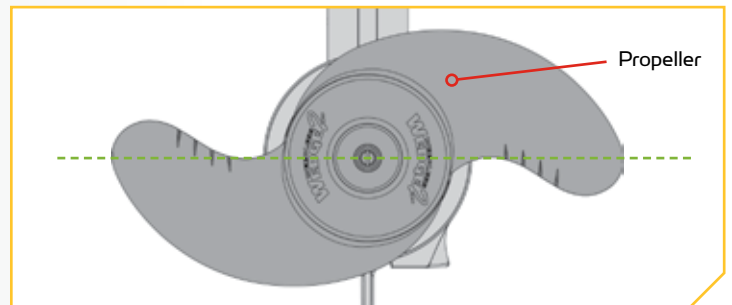
### CAUTION

Disconnect the motor from the battery before beginning any prop work or maintenance.

- d. Turn the old prop to horizontal and pull it straight off. If drive pin falls out, push it back in.

### CAUTION

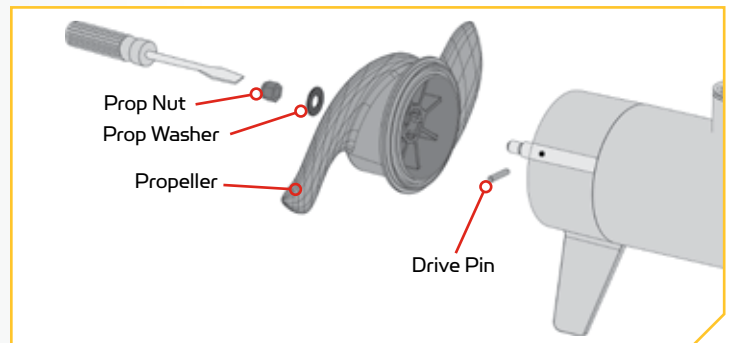
If the prop does not readily slide off, take care to not bend the Armature Shaft while removing the prop by pulling the prop evenly off the Armature Shaft.



- e. Align the new Propeller with the Drive Pin.
  - f. Install the Prop Washer and Prop Nut.
  - g. Tighten the Prop Nut 1/4 turn past snug at 25-35 in-lbs.

### CAUTION

Do not over tighten as this can damage the prop.



---

## GENERAL MAINTENANCE

- After every use, the entire motor should be rinsed with freshwater, then wiped down with a cloth dampened with an aqueous based silicone spray. Do not spray water into the ventilation openings in the head of the motor.
- The composite shaft requires periodic cleaning and lubrication for proper retraction and deployment. A coating of an aqueous based silicone spray will improve operation.
- The propeller must be inspected and cleaned from weeds and fishing line after every use. Fishing line and weeds can get behind the prop, damage the seals and allow water to enter the motor.
- Verify the prop nut is secure each time the motor is used.
- To prevent accidental damage during transportation or storage, disconnect the battery whenever the motor is off of the water. For prolonged storage, lightly coat all metal parts with an aqueous based silicone spray.
- For maximum battery life recharge the battery(s) as soon as possible after use. For maximum motor performance restore battery to full charge prior to use.
- Keep battery terminals clean with fine sandpaper or emery cloth.
- The propeller is designed to provide weed free operation with very high efficiency. To maintain this top performance, the leading edge of the blades must be kept smooth. If they are rough or nicked from use, restore to smooth by sanding with fine sandpaper.
- Keep the Foot Pedal well dry and clean. Debris that gets in the Foot Pedal can cause interference of pedal operation. It is recommended to use compressed air to clean the foot pedal after each use.

## TROUBLESHOOTING

1. Motor fails to run or lacks power:
  - Check battery connections for proper polarity.
  - Make sure the battery is charged.
  - Make sure terminals and wires are clean and corrosion free. Use fine sandpaper or emery cloth to clean terminals.
  - Check circuit protection devices.
  - Check battery water level. Add water if needed.
2. Motor loses power after a short running time:
  - Check battery charge. If low, restore to full charge, or replace.
3. You experience prop vibration during normal operation:
  - Remove and rotate the prop 180°. See removal instructions in the Propeller Replacement Section. Replace prop if worn.
4. Experiencing interference with your fishfinder:
  - You may, in some applications, experience interference in your depth finder display. We recommend that you use a separate deep cycle marine battery for your trolling motor and that you power the depth finder from the starting/cranking battery. If problems still persist, call our service department at 1-800-227-6433.
5. Motor contacts an object while trimming causing an audible tone:
  - Reverse the direction of trimming to clear motor from obstruction.
6. Motor contacts an object while stowing causing an audible tone:
  - Reverse the current cycle by pressing the stow/deploy button to clear from obstruction.
7. Motor fails to trim:
  - Check main lift belt tension per the Adjustments section.

## TROUBLESHOOTING


---


8. Motor fails to stow or deploy:
  - Check for obstructions preventing the motor from deploying or stowing.
  - Ensure that manual tilt knob is engaged. See the Emergency Stow Procedure section for details.
  - Check charge state of trolling motor batteries. If trolling motor battery icon on remote is flashing, battery charge is too low for operation.
9. Prop will not turn on:
  - Ensure batteries are sufficiently charged.
  - For safety reasons there is a prop lock out region (approx. 15" from mounting base to lower unit centerline). Ensure that the lower unit is not in this region.


**NOTE:** For all other malfunctions, visit an Authorized Service Center. You can search for an Authorized Service Center in your area by visiting our Authorized Service page, found online at [minnkotamotors.com](http://minnkotamotors.com), or by calling our customer service number at 800-227-6433.


## FOR FURTHER TROUBLESHOOTING AND REPAIR


We offer several options to help you troubleshoot and/or repair your product. Please read through the options listed below.

 **Buy Parts Online**  
You can buy parts on-line directly from our website at [minnkotamotors.com](http://minnkotamotors.com). Orders confirmed by 12 noon central time will ship same day if in stock. Orders after 12 noon central time will ship the next business day if in stock.

 **Frequently Asked Questions**  
We have FAQs available on our website to help answer all of your Minn Kota questions. Visit [minnkotamotors.com](http://minnkotamotors.com) and click on "Frequently Asked Questions" to find an answer to your question.

 **Call Us (for U.S. and Canada)**  
Our consumer service representatives are available Monday – Friday between 7:00 a.m. – 4:30 p.m. CST at 800-227-6433. If you are calling to order parts, please have the 11-character serial number from your product, specific part numbers, and credit card information available. This will help expedite your call and allow us to provide you with the best consumer service possible. You can reference the parts list located in your manual to identify the specific part numbers.

 **Email Us**  
You can email our consumer service department with questions regarding your Minn Kota products. To email your question, visit [minnkotamotors.com](http://minnkotamotors.com) and click on "Support".

 **Authorized Service Centers**  
Minn Kota has over 300 authorized service centers in the United States and Canada where you can purchase parts or get your products repaired. Please visit our Authorized Service Center page on our website to locate a service center in your area.



Scan to visit  
Minn Kota  
service online.

# COMPLIANCE STATEMENTS

## ENVIRONMENTAL COMPLIANCE STATEMENT

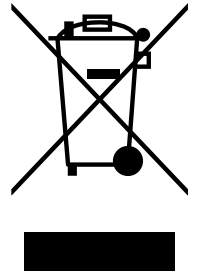
It is the intention of JOME to be a responsible corporate citizen, operating in compliance with known and applicable environmental regulations, and a good neighbor in the communities where we make or sell our products.

### WEEE DIRECTIVE

EU Directive 2002/96/EC “Waste of Electrical and Electronic Equipment Directive (WEEE)” impacts most distributors, sellers, and manufacturers of consumer electronics in the European Union. The WEEE Directive requires the producer of consumer electronics to take responsibility for the management of waste from their products to achieve environmentally responsible disposal during the product life cycle.

WEEE compliance may not be required in your location for electrical & electronic equipment (EEE), nor may it be required for EEE designed and intended as fixed or temporary installation in transportation vehicles such as automobiles, aircraft, and boats. In some European Union member states, these vehicles are considered outside of the scope of the Directive, and EEE for those applications can be considered excluded from the WEEE Directive requirement.

This symbol (WEEE wheelie bin) on product indicates the product must not be disposed of with other household refuse. It must be disposed of and collected for recycling and recovery of waste EEE. Johnson Outdoors Inc. will mark all EEE products in accordance with the WEEE Directive. It is our goal to comply in the collection, treatment, recovery, and environmentally sound disposal of those products; however, these requirements do vary within European Union member states. For more information about where you should dispose of your waste equipment for recycling and recovery and/or your European Union member state requirements, please contact your dealer or distributor from which your product was purchased.



### DISPOSAL

Minn Kota motors are not subject to the disposal regulations EAG-VO (electric devices directive) that implements the WEEE directive. Nevertheless never dispose of your Minn Kota motor in a garbage bin but at the proper place of collection of your local town council.

Never dispose of battery in a garbage bin. Comply with the disposal directions of the manufacturer or his representative and dispose of them at the proper place of collection of your local town council.

## REGULATORY COMPLIANCE INFORMATION

### i-Pilot Equipped Motors

For regulatory information on motors that come factory installed with i-Pilot, please refer to the i-Pilot Owner's Manual online at [minnkotamotors.com](http://minnkotamotors.com).

### i-Pilot Link Equipped Motors

For regulatory information on motors that come factory installed with i-Pilot Link, please refer to the i-Pilot Link Owner's Manual online at [minnkotamotors.com](http://minnkotamotors.com).

## FCC COMPLIANCE

---

### FCC COMPLIANCE

This device complies with Part 15 of the FCC rules.

**Operation is subject to the following two conditions:**

1. This device may not cause harmful interference.
2. This device must accept any interference that may be received, including interference that may cause undesired operation.

Changes or modifications not expressly approved by Johnson Outdoors Marine Electronics, Inc. could void the user's authority to operate this equipment.

**NOTE:** This equipment has been tested and found to comply with the limits for a Class B digital device, pursuant to part 15 of the FCC Rules. These limits are designed to provide reasonable protection against harmful interference in a residential installation. This equipment generates, uses and can radiate radio frequency energy and, if not installed and used in accordance with the instructions, may cause harmful interference to radio communications. However, there is no guarantee that interference will not occur in a particular installation. **If this equipment does cause harmful interference to radio or television reception, which can be determined by turning the equipment off and on, the user is encouraged to try to correct the interference by one or more of the following measures:**

- Reorient or relocate the receiving antenna.
- Increase the separation between the equipment and receiver.
- Connect the equipment into an outlet on a circuit different from that to which the receiver is connected.
- Consult the dealer or an experienced radio/TV technician for help.

### INDUSTRY CANADA COMPLIANCE

This product meets the applicable Industry Canada technical specifications. Operation is subject to the following two conditions: (1) this device may not cause interference, and (2) this device must accept any interference, including interference that may cause undesired operation of the device.

Changes or modifications not expressly approved by Johnson Outdoors Marine Electronics, Inc. could void the user's authority to operate this equipment.

### ENVIRONMENTAL RATINGS

Ambient operating temperature range: -10C to 50C

Ambient operating humidity range: 5% to 95%

Maximum operating altitude: 10,000 feet

### ULTERRA COMPLIANCE

#### **i-Pilot Equipped Motors**

- IC: 4397A-ULTERRAIP15
- FCC ID: T62-ULTERRAIP15

#### **i-Pilot Link Equipped Motors**

- IC: 4397A-ULTERRA20
- FCC ID: T62-ULTERRA20

### RADIO OPERATION

#### **NON-EUROPEAN**

- Frequency band: 915 MHz to 921 MHz
- Maximum RF power transmitted: 0 dBm

#### **EUROPEAN**

- Frequency band: 864 MHz to 870 MHz
- Maximum RF power transmitted: 0 dBm

### **CE MASTER USER MANUAL (FOR CE CERTIFIED MODELS)**

# PARTS DIAGRAM & PARTS LIST

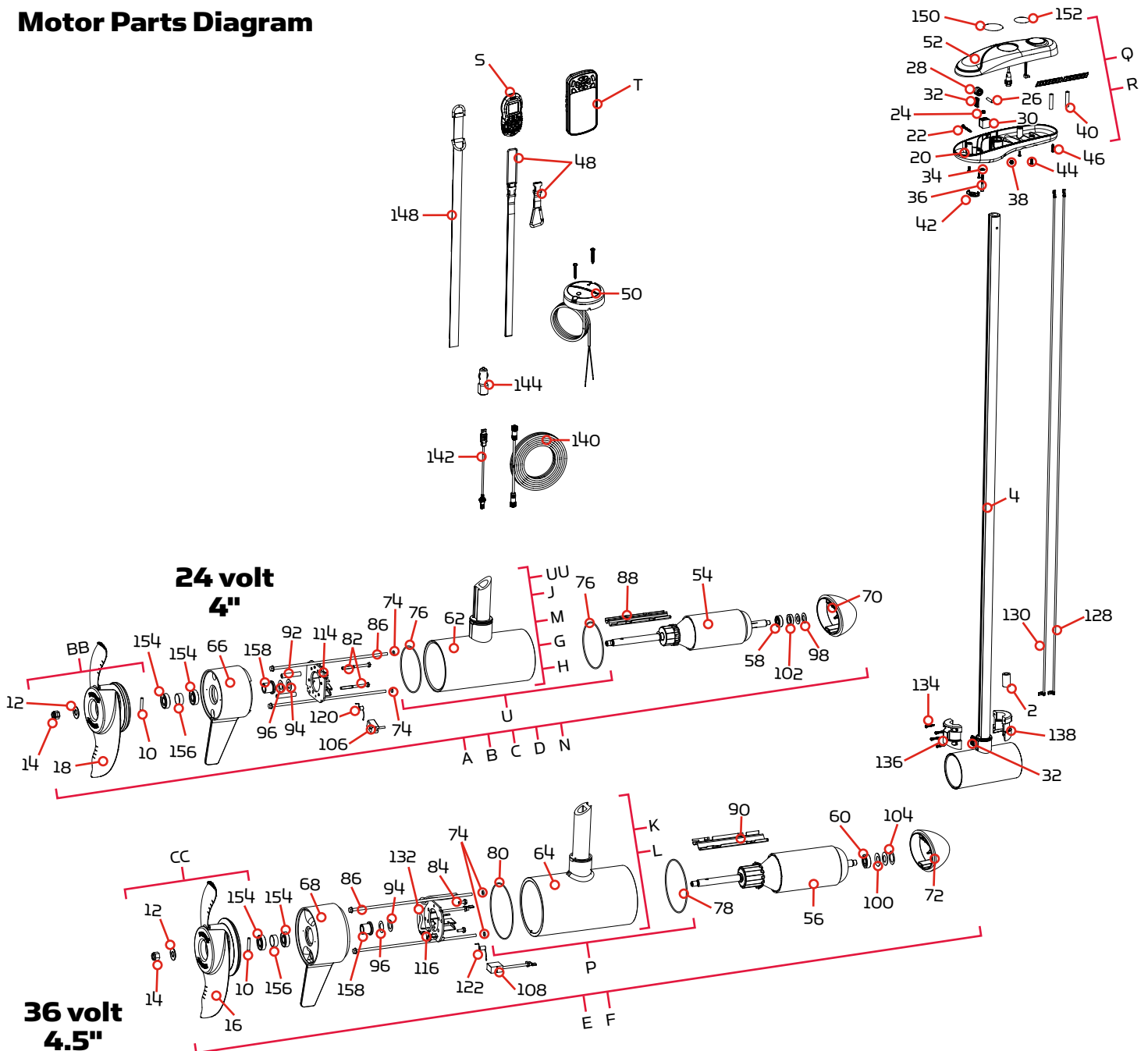
## RIPTIDE ULTERRA

**80/112 LBS THRUST - 24/36 VOLT - 54"/60"/72" SHAFT**

The parts diagram and parts list provides Minn Kota® WEEE compliance disassembly instructions. For more information about where you should dispose of your waste equipment for recycling and recovery and/or your European Union member state requirements, please contact your dealer or distributor from which your product was purchased. Tools required, but not limited to: flat head screwdriver, Phillips screwdriver, socket set, pliers, wire cutters.

### RIPTIDE ULTERRA MOTOR

#### Motor Parts Diagram



## PARTS DIAGRAM & PARTS LIST

### Motor Parts List

Assembly	Part #	Description	Quantity
A	2777030	MTR/TUBE ASSY 80# 54" RT *MOTOR & TUBE*	1
B	2777031	MTR/TUBE ASSY 80# 60" RT *MOTOR & TUBE*	1
C	2777032	MTR/TUBE ASSY 80# 54" RT *MOTOR & TUBE* *M SKU EUROPE*	1
D	2777033	MTR/TUBE ASSY 80# 60" RT *MOTOR & TUBE* *M SKU EUROPE*	1
N	2777043	MTR/TUBE ASSY 80# 72" RT *MOTOR & TUBE* *M SKU EUROPE* *A SKU*	1
E	2777092	MTR/TUBE ASSY 112# 60" RT *MOTOR & TUBE*	1
F	2777094	MTR/TUBE ASSY 112# 72" RT *MOTOR & TUBE*	1
G	2777392	CTR HSG ASY, CB, 80#, SW, 54" TUBE *TUBE*	1
H	2777393	CTR HSG ASY, CB, 80#, SW, 60" TUBE *TUBE*	1
M	2777394	CTR HSG ASY, CB, 80#, SW, 54" TUBE *TUBE* *M SKU EUROPE*	1
J	2777395	CTR HSG ASY, CB, 80#, SW, 60" TUBE *TUBE* *M SKU EUROPE*	1
K	2777347	CTR HSG ASY, CB, 112#, SW, 60" TUBE *TUBE*	1
L	2777348	CTR HSG ASY, CB, 112#, SW, 72" TUBE *TUBE*	1
UU	2777391	CTR HSG TUBE ASY 80#, SW, 72" *TUBE* *M SKU EUROPE* *A SKU*	1
BB	1378132	80# THRUST PROP KIT	1
CC	1378160	112# THRUST PROP KIT	1
U	2889460	SEAL & O-RING KIT *80LB THRUST*	1
P	2881450	SEAL & O-RING KIT 112 *112LB THRUST*	1
Q	2774159 ♦	MOTOR KIT, iPLT 1.6 RT ULTERRA *i-PILOT RECEIVER*	1
R	2774158 ♦	MOTOR KIT, iP 3.0 RT ULTERRA *i-PILOT LINK RECEIVER*	1
S	2994075 ♦	REMOTE ASSY, IPILOT 1.6	1
T	2994076 ♦	REMOTE ASSY, IPILOT LINK *LINK ONLY*	1
Item	Part #	Description	Quantity
2	2307312	BEAD-FERRITE *M SKU* *EUROPE ONLY*	1
4	✘	TUBE-COMP,WHT,60",w/1/4" WALL	1
	✘	TUBE-COMP,WHT,72",w/1/4" WALL	1
	✘	TUBE-COMP,WHT,60", w/1/4" WALL	1
	✘	TUBE-COMP,WHT,54", w/1/4" WALL	1
	✘	TUBE-COMP,WHT,54",w/1/4" WALL	1
	✘	TUBE-COMP, WHT, 72" *M SKU*	1
▲	✘	SEAL,BUNG UPPER,SW	1
▲	✘	SEAL,BUNG LOWER	1
10	2262658	PIN-DRIVE 1" X 3/16" S/S	1
12	2091701	WASHER-PROP (LARGE)	1
14	2198401	ANODES, ZINC, 4.0"LWR UNIT	1
16	2341160	PROP-WW2 (4.5) w/ADP.RING *112 LB THRUST*	1
18	2331160	PROP-WW2 (4") w/ADP.RING *80 LB THRUST*	1

✘ This part is included in an assembly and cannot be ordered individually.

▲ Not shown on Parts Diagram.

♦ May only be available with i-Pilot or i-Pilot Link.



## PARTS DIAGRAM & PARTS LIST

Item	Part #	Description	Quantity
20	2202507	CONTROL BOX BOTTOM, SW	1
22	2093400	SCREW-#10-24X1-7/8 PPH SS	1
24	2333101	NUT-HEX #10-24 UNC-2B NYL SS	1
26	2202635	PIN-DOWEL, 1/4" OD SS	1
28	2202335	PULLEY, BELT, TOP	1
30	2202800	BLOCK, BELT	1
32	2200800	BELT-RACK, LOWER	1
34	2201721	WASHER-#10 SAE, SS	1
36	2203411	SCREW-#10-24,SHCS,SS, RIE 4606	1
38	2333101	NUT-HEX #10-24 UNC-2B NYL SS	1
40	2305402	SHRINK TUBE-.374 OD X 2.25"	2
42	2224703	INSERT-PLUG, PD/AP WHITE *NO HOLE*	1
	2224705	INSERT-PLUG, WHT, I PILOT *LARGE HOLE*	1
44	2372100	SCREW-#8-18 X 5/8 THD* (SS	4
46	2203403	SCREW-#6 X 1.0 BRASS HI-LO	1
48	2390800 ♦	LANYARD w/CARABINEER,IP REMOTE	1
50	2996400 ♦	HEADING SENSOR ASSEMBLY	1
52	2200207	CONTROL BOX COVER, SW	1
54	2-100-214	ARM ASSY 24V 4" 80# (WW2) *80 LB THRUST*	1
56	2-100-245	ARMATURE ASY 4.5"LWR UNIT *112 LB THRUST*	1
58	140-010	BEARING - BALL *80 LB THRUST*	1
60	140-014	BEARING-BALL 6000 *112 LB THRUST*	1
62	✘	CTR HSG ASY 4.0 SW/WHT-MG *80 LB THRUST* *ASSEMBLY A, B, C, D OR U*	1
64	✘	CTR HSG ASY 4.5" MAG SW CB TER *112 LB THRUST* *ASSEMBLY E OR F*	1
66	2-300-370	BRUSH END HSG ASY SW/W 4.0 *80 LB THRUST*	1
68	2-300-156	BRUSH END HSG ASY 4.5" SW *112 LB THRUST*	1
70	421-376	HSG PLN END 4" SW WHT BS *80 LB THRUST*	1
72	421-241	PLAIN END HSG 4.5" PNTD SW *112 LB THRUST*	1
74	701-009	O-RING, THRU BOLT *80 LB THRUST* *112 LB THRUST*	2
76	701-043	O-RING *80 LB THRUST*	2
78	701-098	O-RING, 98MM X 2MM *112 LB THRUST*	1
80	701-103	O-RING,103MM X 3.00MM, 70 BUNA *112 LB THRUST*	1
82	830-027	SCREW - SELF-THREAD 10-32X2.25 *80 LB THRUST*	2
84	2053410	SCREW-#8-32 X 1/2 TRI-LOBE HEX *112 LB THRUST*	2
86	830-094	THRU BOLT 12-24 X10.31 *80 LB THRUST* *112 LB THRUST*	2
88	582-013	CLIP, RETAINING SHORT *80 LB THRUST*	1
90	582-016	CLIP-RETAINING, SONAR *112 LB THRUST*	1
92	973-025	SPACER - BRUSHPLATE *80 LB THRUST*	2
94	990-051	WASHER - STEEL THRUST *80 LB THRUST* *112 LB THRUST*	1

✘ This part is included in an assembly and cannot be ordered individually.

▲ Not shown on Parts Diagram.

♦ May only be available with i-Pilot or i-Pilot Link.

## PARTS DIAGRAM & PARTS LIST

Item	Part #	Description	Quantity
96	990-052	WASHER - NYLATRON *80 LB THRUST* *112 LB THRUST*	1
98	992-010	WASHER - BELLEVILLE *80 LB THRUST*	2
100	992-011	WASHER-BELLEVILLE *112 LB THRUST*	2
102	990-045	SPACER - THRUST *80 LB THRUST*	1
104	990-011	WASHER-SHIM OD 1",ID.630"SS *112 LB THRUST*	1
106	188-094	BRUSH W/TERMINAL *80 LB THRUST*	2
108	188-095	BRUSH *112 LB THRUST*	2
▲	✘	BRUSH HOLDER *80 LB THRUST*	2
▲	✘	BRUSH HOLDER *112 LB THRUST*	2
114	738-004	BRUSH PLATE-4" terminal *80 LB THRUST*	1
116	738-011	BRUSH PLATE *112 LB THRUST*	1
▲	✘	RIVET-.25" *80 LB THRUST* *112 LB THRUST*	6
120	975-041	SPRING - TORSION *80 LB THRUST*	2
122	975-045	SPRING-TORSION *112 LB THRUST*	2
▲	✘	CONNECTOR 1/4 MALE TAB QD *80 LB THRUST*	2
▲	✘	TERMINAL 1/4" MALE TAB-THREE *112 LB THRUST*	2
128	640-025	LEADWIRE BLK 10 AWG 66 3/4 XLP *80 LB THRUST* *54*	1
	640-022	LEADWIRE BLK 10 AWG 72.5 XLP *80 LB THRUST* *60*	1
	640-045	LEADWIRE BLK 10AWG 76 1/2" GPT *112 LB THRUST* *60*	1
	640-049	LEADWIRE BLK 10AWG 88.50" GPT *112 LB THRUST* *72*	1
130	640-133	LEADWIRE RED 10AWG 66-1/4 XLP *80 LB THRUST* *54*	1
	640-126	LEADWIRE RED 10AWG 71" XLP *80 LB THRUST* *60*	1
	640-145	LEADWIRE RED 10AWG 75 7/8" GPT *112 LB THRUST* *60*	1
	640-149	LEADWIRE RED 10AWG 88" GPT *112 LB THRUST* *72*	1
132	2307312	BEAD-FERRITE *112 LB THRUST*	1
134	3393480	SCREW-#10 X 1.0" PPH HI-LOSS	4
136	2201505	COLLAR, BELT CLAMP	1
138	2201500	COLLAR, CLAMP	1
140	490389-1◆	CABLE, ETH (M12-M-M12-F, 30'	1
142	2373241◆	CABLE, USB REMOTE CHARGER LINK	1
144	2375901◆	ADAPTER, USB DC POWER LINK	1
148	2203800	STRAP, HOLD DOWN	1
150	2205509	DECAL-GENERIC, PUSH BTN TOP SW	1
152	2395521 ◆	DECAL, DOMED IPILOT SW	1
▲	2052510	CABLE CLAMP, 3/16", NYLON	2
154	888-025	SEAL	2
156	725-095	PAPER TUBE	1
158	144-017	BEARING	1

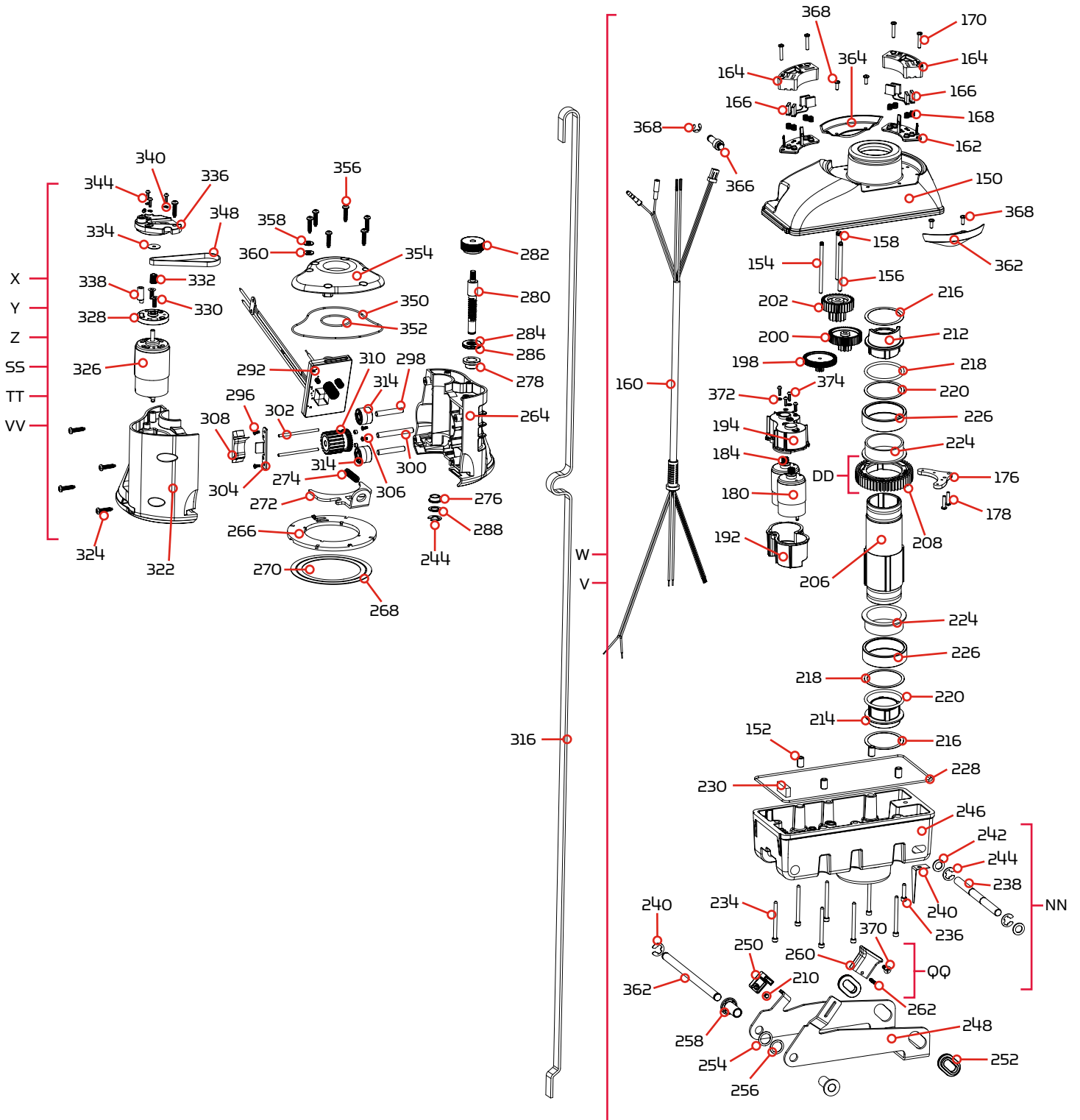
✘ This part is included in an assembly and cannot be ordered individually.

▲ Not shown on Parts Diagram.

◆ May only be available with i-Pilot or i-Pilot Link.

RIPTIDE ULTERRA STEERING HOUSING & TRIM HOUSING

Steering Housing & Trim Housing Parts Diagram



## PARTS DIAGRAM & PARTS LIST

### Steering Housing & Trim Housing Parts List

Assembly	Part #	Description	Quantity
V	2996524	ASM, STEERING 36V SW *112LB THRUST*	1
W	2996523	ASM, STEERING 24V SW *80LB THRUST*	1
X	2997825	ASSY,TRIM MOD "M",SW, 72" *M SKU* *EUROPE ONLY*	1
Y	2997821	ASSY,TRIM MODULE, SW, 72"	1
Z	2997824	ASSY,TRIM MOD "M",SW, 60" *M SKU* *EUROPE ONLY*	1
SS	2997804	ASSY,TRIM MODULE, SW, 60"	1
TT	2997808	ASSY,TRIM MODULE, SW, 54"	1
VV	2997828	ASSY,TRIM MOD "M",SW, 54" *M SKU* *EUROPE ONLY*	1
DD	2772200	OUTPUT GEAR W/MAGNETS	1
NN	2774202	TILT BRACKET ASSEMBLY	1
QQ	2770100	RELEASE KNOB WITH SCREW KIT	1
Item	Part #	Description	Quantity
150	✘	STEERING HSG COVER SW PNT	1
152	✘	PIN-ROLL 5/16" X 1/2"	4
154	✘	SHAFT-GEAR, FIRST CLUSTER	1
156	✘	SHAFT-GEAR,INTERMED.CLUSTER	1
158	✘	SHAFT-GEAR, THIRD CLUSTER	1
160	✘	LEADWIRE,STEERING MTR, 8 COND.	1
162	✘	INSULATOR, BLOCK-BRUSH	2
164	✘	BLOCK-BRUSH, SLIPRING	2
166	✘	BRUSH SHUNT ASSEMBLY	2
168	✘	SPRING-COMPRESSION, BRUSH	4
170	2203408	SCREW-#6-32 X .75" PPH, NYLON	4
176	2201920	BRACKET-SENSOR, STEERING HSG	1
178	2303412	SCREW-#6-20 X 5/8 SELF TAP	2
180	✘	MOTOR, STEERING 24V T2 *80LB THRUST*	1
	✘	MOTOR, STEERING 36V FW T2 *112LB THRUST*	2
182	2320321	WIRE EXTENSION, 112 MOTOR	2
184	2322215	GEAR-PINION, DR.HSG, STAGE 1	1
186	2051710	LOCKWASHER-SPLIT, 3MM, ZP	4
188	2053422	SCREW-M3-.5 X 10 PPH, ZPS	4
190	2043412	SCREW-#8-18 X 3/4 TY AB SS PPH	1
192	2322520	CASE-MOTOR,STRG HSG,TOP	1
194	2322525	CASE-MOTOR,STRG HSG,BTM	1
198	2322210	GEAR & PINION, DR.HSG, STAGE 2	1
200	2302250	GEAR & PINION,DR. HSG, STAGE 3	1

✘ This part is included in an assembly and cannot be ordered individually.

▲ Not shown on Parts Diagram.

◆ May only be available with i-Pilot or i-Pilot Link.

## PARTS DIAGRAM & PARTS LIST

Item	Part #	Description	Quantity
202	2302255	GEAR & PINION,DR. HSG, STAGE 4	1
▲	9950433	TIE WRAP-4" BLACK(#21041)	1
206	2322031	TUBE-OUTPUT, SALTWATER	1
208	2322200	GEAR-OUTPUT	1
210	✘	MAGNET-.187X.125 NCKL PLT(N/A)	4
212	2201510	COLLAR-DRIVE, OUTPUT TUBE	1
214	2321510	COLLAR-DRIVE,BOTTOM	1
216	2321704	WASHER-THRUST, STEERING	4
218	2321720	SHIM,O-RING	2
220	2324608	O-RING,224,PD PRO STR HSG	2
224	2327314	BUSHING, PRO STEERING SW	2
226	2327315	BUSHING,ALUMIN. SPACER ST	2
228	2324604	O-RING, CASE SEAL	1
230	2308601	BREATHER FILTER, DR.HOUSING	1
232	2206550	HOUSING, CONNECTOR WPJ	1
234	2323408	SCREW-#8-32 X 2.0 SHCS SS	7
236	2323410	SCREW-#8-32 X .75 SHCS SS	1
238	2202626	PIN-LATCH, SS	1
240	2322702	SPRING, LATCH PIN SS	2
242	2321702	WASHER-FLAT .375 NYLON	2
244	2263011	E-RING 3/8 DIA. SHAFT*	2
246	✘	HOUSING-STEERING, BTM, SW	1
248	2201910	BRACKET, TILT, SS	1
250	2208601	HOLDER-MAGNET w/CONFORMAL COAT	1
252	2207305	BUSHING, LATCH PIN	2
254	2201730	WASHER-FLAT, .56 ID NYLON *BLACK*	1
256	2201731	WASHER-FLAT, NYLON *WHITE*	1
258	2207310	BUSHING,STEERING HSG, PIVOT	2
260	2200100	KNOB, TILT RELEASE	1
262	2383463	SCREW-#6-32 X .625"SET SS	1
264	✘	HOUSING-TRIM, GEAR SIDE, SW	1
266	✘	CARRIER, SLIPRING CONTACTS	1
268	✘	RING-CONTACT, SLIPRING LARGE	1
270	✘	RING-CONTACT, SLIPRING SMALL	1
272	✘	HANDLE, TRIM HSG RELS, SS	1
274	✘	SPRING-5/16" OD, SS	1
276	✘	BUSHING, TRIM, BOTTOM	1
278	✘	BUSHING-HAT 1/2"SHFT BRNZ	1

✘ This part is included in an assembly and cannot be ordered individually.

▲ Not shown on Parts Diagram.

◆ May only be available with i-Pilot or i-Pilot Link.

## PARTS DIAGRAM & PARTS LIST

Item	Part #	Description	Quantity
280	✘	SHAFT-WORM	1
282	✘	PULLEY, TRIM JACKSHAFT, MACH.	1
284	✘	BEARING-THRUST, NEEDLE	1
286	✘	WASHER-THRUST, 1/2"	2
288	✘	WASHER-THRUST, 3/8"	1
290	✘	E-RING 3/8 DIA. SHAFT*	1
292	✘	BOARD ASSY, WIRELESS TRIM	1
	✘	BOARD ASSY, WIRELESS TRIM "M" *M SKU EUROPE*	1
296	✘	SCREW-#4-24 X 1/4 PHCR SS TY B	2
298	✘	PIN, BELT PULLEY	2
300	✘	PIN, 2' X 1/4"	1
302	✘	PIN-DOWEL, 1/8"	2
304	✘	BRACKET, DRIVE BLOCK	1
306	✘	SCREW-#4-24 X 1/4 PHCR SS TY B	2
308	✘	BLOCK, TUBE DRIVE	1
310	✘	GEAR/PULLEY-WORM, CLUSTER ASM	1
312	✘	MAGNET-.187X.125 NCKL PLT(N/A)	2
314	2202335	PULLEY, BELT, TOP	2
316	2770817	BELT-LIFT 54"	1
	2770818	BELT-LIFT 60"	1
	2770819	BELT-LIFT 72"	1
322	✘	HOUSING-TRIM, MOTOR SIDE, SW	1
324	3393481	SCREW-#10X.75"PPH HI-LO SS	4
326	✘	MOTOR, TRIM	1
328	✘	PLATE-ADAPTER, LIFT MOTOR	1
330	✘	SCREW-M4 X 10 PFH, ZP	2
332	✘	PULLEY, LIFT MOTOR, MACHINED	1
334	2201722	WASHER-#6, .625 OD, ZP STEEL	1
336	✘	PLATE-MOTOR	1
338	✘	TENSIONER-BELT	1
340	✘	SCREW-M3-.5 X 10 PPH, ZPS	3
342	✘	LOCKWASHER-SPLIT, 3MM, ZP	3
344	✘	SCREW-SET-#8-32 X 1/4" S/S	1
▲	✘	SCREW-#10X.75"PPH HI-LO SS	1
348	2200810	BELT-TRIM	1
350	2204602	O-RING, TRIM HOUSING COVER,WHT	1
352	2204601	O-RING, TRIM HOUSING	1
354	2206411	COVER, TRIM HOUSING, SW	1

✘ This part is included in an assembly and cannot be ordered individually.

▲ Not shown on Parts Diagram.

◆ May only be available with i-Pilot or i-Pilot Link.

## PARTS DIAGRAM & PARTS LIST

---

Item	Part #	Description	Quantity
356	✘	SCREW-#10X.75"PPH HI-LO SS	6
358	3391732	WASHER, SEALING	6
360	3394602	WASHER-FLAT #8 SS	6
362	2202600	PIN-PIVOT,DRIVEHOUSING,SS	1
364	2205906	ADAPTER,STEERING HSG RGHT,WHT	1
366	2205901	ADAPTER,STEERING HSG LEFT,WHT	1
368	2332103	SCREW-#6-20 X 3/8 THD*(SS)	4
370	2203407	SCREW-#6-32 X .625" PFH, SS	1
372	2051710	SPLIT LOCK WASHER 3MM	4
374	2372103	SCREW-X6 X .375 PLASTITE SS	4

✘ This part is included in an assembly and cannot be ordered individually.

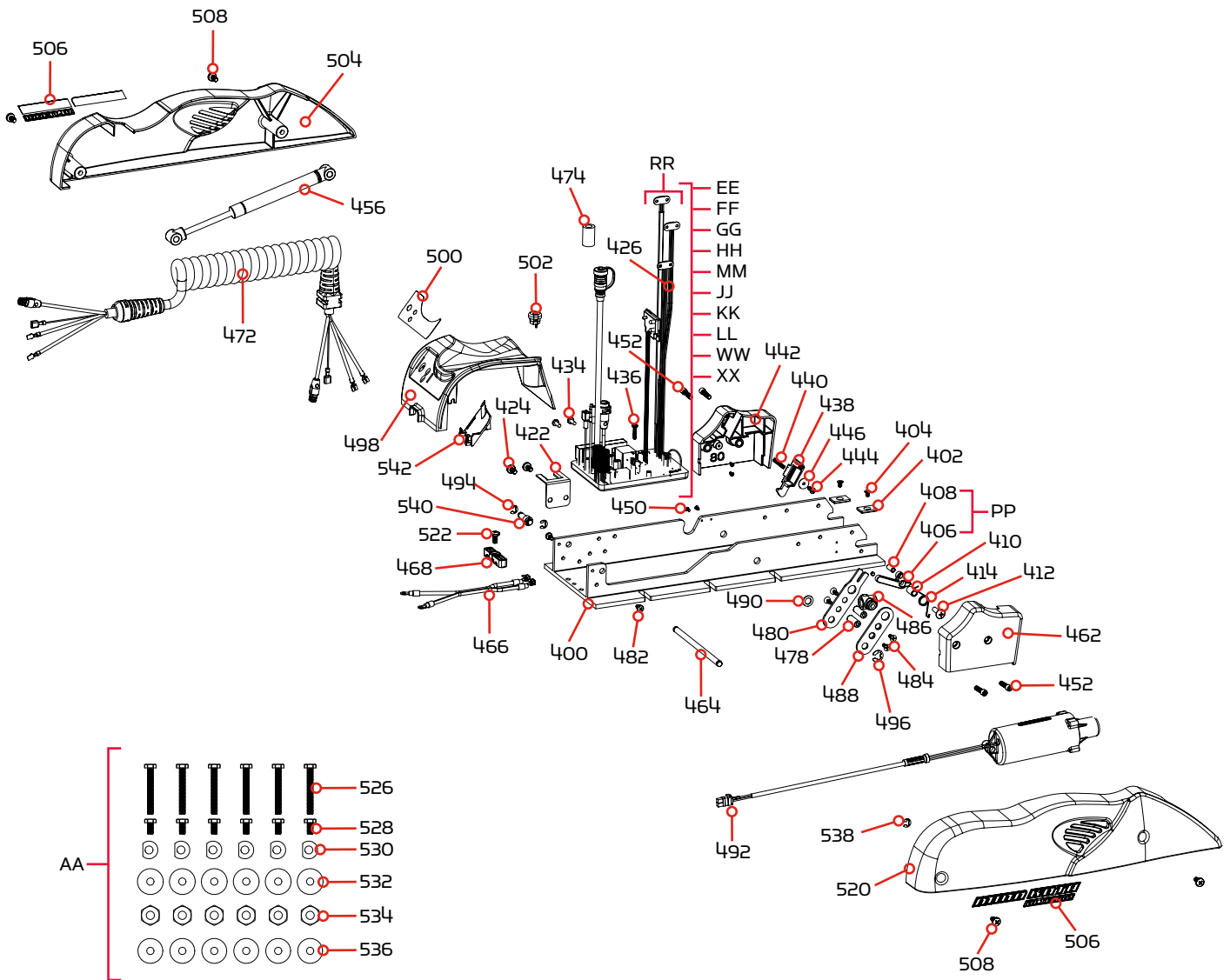
▲ Not shown on Parts Diagram.

◆ May only be available with i-Pilot or i-Pilot Link.

# PARTS DIAGRAM & PARTS LIST

## RIPTIDE ULTERRA MOUNT

### Mount Parts Diagram





## Mount Parts List

Assembly	Part #	Description	Quantity
EE	2774080	MAIN CTRL BD, US/AU/CA, 24V, 60" *80LB THRUST* *60*	1
FF	2774082	MAIN CTRL BD, US/AU/CA, 36V, 60" *112LB THRUST* *60*	1
GG	2774084	MAIN CTRL BD, EUR, 24V, 60" *80LB THRUST* *60* *M SKU EUROPE*	1
HH	2774086	MAIN CTRL BD, EUR, 36V, 60" *112LB THRUST* *60* *M SKU EUROPE*	1
MM	2774091	MAIN CTRL BD, US/AU/CA, 36V, 72" *112LB THRUST* *72*	1
JJ	2774090	MAIN CTRL BD, US/AU/CA, 24V, 54" *80LB THRUST* *54*	1
KK	2774092	MAIN CTRL BD, EUR, 24V, 54" *80LB THRUST* *54* *M SKU EUROPE*	1
LL	2774093	MAIN CTRL BD, EUR, 36V, 72" *112LB THRUST* *72* *M SKU EUROPE*	1
WW	2774094	MAIN CTRL BD, US/AU/CA, 24V, 72" *80LB THRUST* *72* *A SKU*	1
XX	2774096	MAIN CONTROL BRD, EUR, 24V, 72" *80LB THRUST* *72* *M SKU EUROPE*	1
AA	2994917	BAG ASSY, ULTERRA MTG HARDWARE	1
PP	2777901	CAM W/MAGNET, SPRING PIN	1
RR	2880350	SENSOR WIRE W/BUTT CONNECTORS	1
Item	Part #	Description	Quantity
400	2201902	BASE, MACHINED, SW	1
402	2205105	PAD, STOP	2
404	2203421	SCREW-#10-24X 5/16 PFH SS	2
406	2207901	CAM,PIN SNSR w/CNFML COAT	1
408	2262632	PIN-SPRING 1/4" X 5/8" SS	1
410	2201702	SPACER, PIN SENSOR	1
412	9280710	HDW SCR 1/4 20X7/8 TRUSS PHIL	1
414	2042711	SPRING-TORSION, SS	1
422	2200820	CLIP-CORD, SS	1
424	2323405	SCREW-1/4-20 X 1/2" MCH SS	2
426	✘	CONTROL BOARD ASSY, MAIN *ASSEMBLY FF, GG, HH, MM, JJ, KK OR LL*	1
428	2305403	SHRINK TUBE-.500 IDX1.0" ADHSV	4
430	2305415	SHRINK TUBE .472 ADHESIVE LINED	1
432	2305410	SHRINK TUBE-.315 OD X 2.25"	2
434	2323406	SCREW-#10-24 X .50 CRPH SS	2
436	2373487	SCREW-#8-32 X 3/4" PPH MACH SS	1
438	2203701	PLUNGER, RAMP w/CONFORMAL COAT	1
440	2202703	SPRING, PLUNGER-RAMP	1
442	2203915	RAMP-MOTOR, LEFT, 112# *112 LB THRUST*	1
	2203916	RAMP-MOTOR, LEFT, 80# *80 LB THRUST*	1
444	2301310	SCREW-#8-18 X 1/2 (SS)*	1
446	2201723	WASHER-#6, .625 OD, SS	1
448	2373440	SCREW-#4-24 X 1/4 PHCR SS TY B	2

✘ This part is included in an assembly and cannot be ordered individually.

▲ Not shown on Parts Diagram.

◆ May only be available with i-Pilot or i-Pilot Link.

## PARTS DIAGRAM & PARTS LIST

Item	Part #	Description	Quantity
452	2263453	SCREW-1/4-20 X 1" SHCS S/S	4
▲	2200825	CLIP, SENSOR CABLE	2
456	2208803	DAMPER, SS, 112# *112 LB THRUST*	1
	2208801	DAMPER, SS, 80# *80 LB THRUST*	1
460	2263006	E-RING,5/16,S/S GAS ASSIST	2
462	2203910	RAMP-MOTOR, RIGHT, 112# *112 LB THRUST*	1
	2203911	RAMP-MOTOR, RIGHT, 80# *80 LB THRUST*	1
464	2202605	PIN, ACTUATOR, SS	1
466	2090651	LEADWIRE,10 GA,PD	1
468	2321310	STRAIN RELIEF	1
472	2991275	COIL CORD ASY 72" NON-US *72*	1
	2991271	COIL CORD ASY 54/60" NON-US *54* *60*	1
474	2307313	BEAD-FERRITE	1
▲	2256300	TIE WRAP-5.5" BLACK	2
478	2202901	STANDOFF, LIFT ARM	2
480	2204200	ARM-LIFT, INNER, SS	1
482	2383447	SCREW-#10-32 X 3/8" PPH SS	2
484	2203410	SCREW-#10-32 X .5"	4
486	2203100	NUT, TILT MOTOR	1
488	2204205	ARM-LIFT, OUTER, SS	1
490	2321702	WASHER-FLAT .375 NYLON	1
492	2997813	ASSEMBLY, TILT MOTOR	1
494	2263006	E-RING,5/16,S/S GAS ASSIST	1
496	2263011	E-RING 3/8 DIA. SHAFT*	1
498	2206511	HOUSING-CONTROL, WHITE	1
500	2205601	DECAL-B.METER/CON/PWR, SW WHT	1
502	2202910	STRAIN RLF,HEYC SR 6N3-4	1
504	2203906	SIDEPLATE, LEFT, SW	1
506	2205512	DECAL,SIDEPLATE,SW ULTERRA,T2	2
508	2323405	SCREW-1/4-20 X 1/2" MCH SS	4
520	2203901	SIDEPLATE, RIGHT, SW	1
522	2323405	SCREW-1/4-20 X 1/2" MCH SS	1
▲	2256300	TIE WRAP-5.5" BLACK	1
526	2203430	SCREW-1/4-20 X 2.0 HHCS SS	6
528	2203431	SCREW-1/4-20 X 0.5 HHCS SS	6
530	2201725	WASHER-CLIPPED, 1/4", 1.00" OD	6
532	2261713	WASHER-1/4 FLAT 18-8 SS	6
534	2263103	NUT-1/4-20 NYLOCK SS	6

✘ This part is included in an assembly and cannot be ordered individually.

▲ Not shown on Parts Diagram.

◆ May only be available with i-Pilot or i-Pilot Link.

## PARTS DIAGRAM & PARTS LIST

---

Item	Part #	Description	Quantity
536	2301720	WASHER-MOUNTING - RUBBER	6
538	2263006	E-RING,5/16,S/S GAS ASSIST	1
540	2202903	STANDOFF,OIL DAMPENER,SW	2
542	2200823	CLIP, POWER BUTTON	1

✘ This part is included in an assembly and cannot be ordered individually.

▲ Not shown on Parts Diagram.

◆ May only be available with i-Pilot or i-Pilot Link.

# RECOMMENDED ACCESSORIES

## ON-BOARD & PORTABLE BATTERY CHARGERS

**Stop buying new batteries and start taking care of the ones you've got.** Many chargers can actually damage your battery over time – creating shorter run times and shorter overall life. Digitally controlled Minn Kota chargers are designed to provide the fastest charge that protect and extend battery life.



MK212PC



MK210D



MK110P

## TALON SHALLOW WATER ANCHOR

Talon deploys faster, holds stronger and runs quieter than any other shallow water anchor. Available in depths up to 12' and bold color options including camo, it boasts an arsenal of features and innovations that no other anchor can touch:



- Vertical, Multi-Stage Deployment
- User-Selectable Anchoring Modes
- 2x Anchoring Force
- Fast Deploy
- Auto Up/Down
- Triple Debris Shields
- Built-In Wave Absorption
- Noise Dissipation
- Versatile Adjustments

## MINN KOTA ACCESSORIES

We offer a wide variety of trolling motor accessories, including:



- 60-Amp Circuit Breaker
- Mounting Brackets
- Stabilizer Kits
- Extension Handles
- Battery Connectors
- Battery Boxes
- Quick Connect Plugs

For a complete listing of Minn Kota accessories, visit [minnkotamotors.com](http://minnkotamotors.com)

Follow us:    



[minnkotamotors.com](http://minnkotamotors.com)

Minn Kota Consumer & Technical Service  
Johnson Outdoors Marine Electronics, Inc.  
PO Box 8129  
Mankato, MN 56001

121 Power Drive  
Mankato, MN 56001  
Phone (800) 227-6433  
Fax (800) 527-4464



©2018 Johnson Outdoors Marine Electronics, Inc.  
All rights reserved.