

## Specifications

Model:	SmartRemote
Product code retail:	77010600
Product code OEM:	77010500
Dimensions:	72x72x30 mm/2.8x2.8x1.2"
Screen:	320x240 pixels, 16 bits color, 2.8"
Weight:	75 g / 2.6 oz
Operating temperature:	-20 to 55°C/-4 to 131°F
Relative humidity:	max. 95% non-condensing
Storage temperature:	-30 to 70°C/-22 to 158°F
Power supply:	bus powered, 11-14V
Power consumption:	<180mW (idle mode)
Protection degree:	IP20
Approvals:	CE
Interfaces:	MasterBus, CZone (upcoming)

For additional information, like supported devices, please visit our website: [www.mastervolt.com](http://www.mastervolt.com)

## ⚠ WARNING

If you are not knowledgeable about electrical systems, have an electrical professional install this unit.

## ⚠ CAUTION

The SmartRemote is not waterproof. Do not install where the display is exposed to water.

## Warranty

The Mastervolt product warranty covers the SmartRemote for the first two years after the purchase date.

The warranty is limited to the cost of repair and/or replacement of the product. Costs of labor or shipping are not covered by this warranty.

Mastervolt cannot accept liability for damage due to the misuse of the SmartRemote.



## Correct Disposal

Contact your local waste disposal department to properly dispose of the unit.



EMEA

Snijdersbergweg 93  
1105 AN AMSTERDAM  
The Netherlands  
+31 (0)20 34 22 100  
[info@mastervolt.com](mailto:info@mastervolt.com)

NORTH AMERICA

N86 W12500 Westbrook Crossing  
Menomonee Falls, WISCONSIN 53051  
USA  
+1 800 307 6702, Option 1  
[technical@marinco.com](mailto:technical@marinco.com)

ASIAPACIFIC

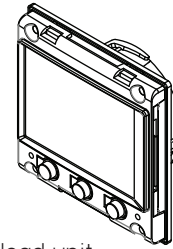
42 Apollo Drive, Rosedale  
AUCKLAND 0632  
New Zealand  
+ 64 9 415 7261  
[enquiries@bepmarine.com](mailto:enquiries@bepmarine.com)



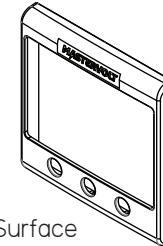
## SmartRemote

## QuickStart Installation Guide

### Components included



Head unit



Surface mount bezel



Bayonet collar



4 x Phillips countersunk self-tapping screws (2.9x16)



Mastervolt CZone Drop Cable\*  
(1m / 3.3ft)



MasterBus cable\*  
(6m / 20ft)



MasterBus Terminator\*

\* Need to be ordered separately with OEM packaging

## Operation Notes

The three push buttons P1, P2 and P3 provide a scroll and select function. Their behavior depends on the connected device.

When multiple devices are connected, first select the required device.



When idle, the button menu slides down. To get it back, press any button.

To enter the main menu, simultaneously press P1 and P3 for 5 seconds.

The simple and intuitive screens speak for themselves. For example when monitoring an inverter or charger:

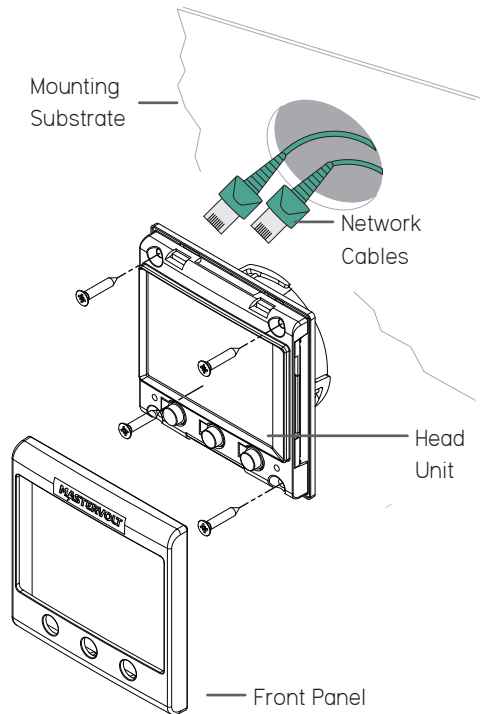
Press P1 to switch the inverter on or off.

Press P2 or P3 to adjust the power sharing level.

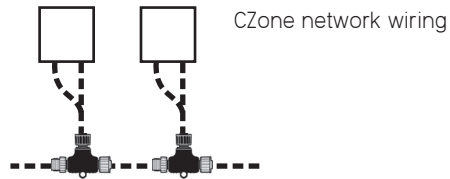
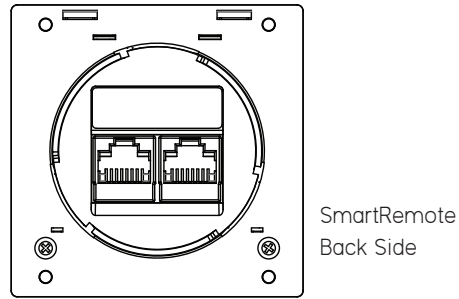
## Installation Notes

- Before installing, be sure to turn electrical power off.
- The SmartRemote is designed for indoor use only.
- Make sure the front panel is easy accessible and readable.
- Always check for existing wiring, pipes, etc. before drilling or cutting into walls.
- Make sure there is adequate space behind the mounting surface to fit the SmartRemote, including its cables.
- The SmartRemote is powered by the MasterBus network.

## Surface Mount



Connect the required RJ45 cable at the back of the SmartRemote.



Ensure that the network is properly terminated.

## 360 Panel Mount

*Note that this requires the 360 Panel Mounting Kit PN 1525 (sold separately).*

### STEP 1

Snap header and footer into the mounting clips on the panel frame. Snap the bezel mount into place with the flat edge up.

### STEP 2

Place the carrier mount behind the panel, aligning mounting holes, and attach with 4 screws.

### STEP 3

Place the SmartRemote and fasten with the bayonet collar. Turn collar until it snaps.

## Mounting Template

