

Thank you for purchasing a Shakespeare antenna product. Customer comments are welcome. Before installing, please study the diagram and check parts supplied against those listed.

**Supplied Parts**  
1 Swivel Mount Assembly

**IMPORTANT! Please read all instructions before installing.**

The Style 81-S Swivel Mount is a versatile antenna mount made of stainless steel. Its dual swivel action permits easy lowering of the antenna to clear overhead obstructions. The mount is not self-supporting and must be used with a Shakespeare Style 408-R Standoff Bracket (sold separately). Standard 1"-14 threads.

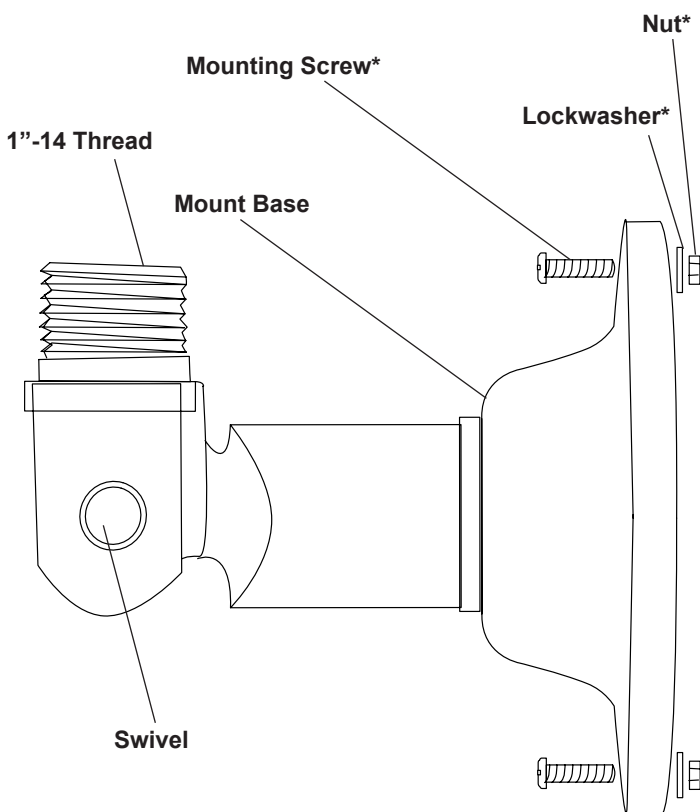
**Tools required: Drill, drill bit for 1/4" wood or sheet metal screws, screwdriver.**

**Installation Instructions**

Choose a mounting location that is as high as possible, as free as possible from obstructions and as far as practical from other antennas.

1. Using the mount itself as a template, mark the locations for the three mounting holes. Drill 1/4" mounting holes.
2. Attach the mount assembly to the mounting surface using stainless steel machine screws, lockwashers, and nuts (sold separately). For some types of surfaces, you might need to substitute stainless steel woodscrews or other hardware (not supplied).
3. Assemble the antenna to the Swivel Mount, being careful not to damage the antenna's cabling, if any.

**IMPORTANT:** If the thickness of the mounting surface is not adequate to support the antenna under expected stress, a wooden back-up pad (not supplied) should be applied underneath during mount installation.



**\* Not supplied. For some types of mounting surfaces you might need to substitute stainless steel woodscrews or other hardware.**

35-90-1198-00

**Shakespeare Electronic Products Group**

U.S. Operations: 6111 Shakespeare Rd. · Columbia, SC 29223 · 803-227-1590 · Fax: 803-419-3099 · [www.shakespeare-marine.com](http://www.shakespeare-marine.com)  
 U.K. Operations: Enterprise Way, Fleetwood, Lancashire, FY7 8RY, England · +44 (0) 1253 858787 · Fax: +44 (0) 1253-859595 · [www.vtronix-antennas.com](http://www.vtronix-antennas.com)