



TRIDUCER® Multisensors

B744V • B744VL

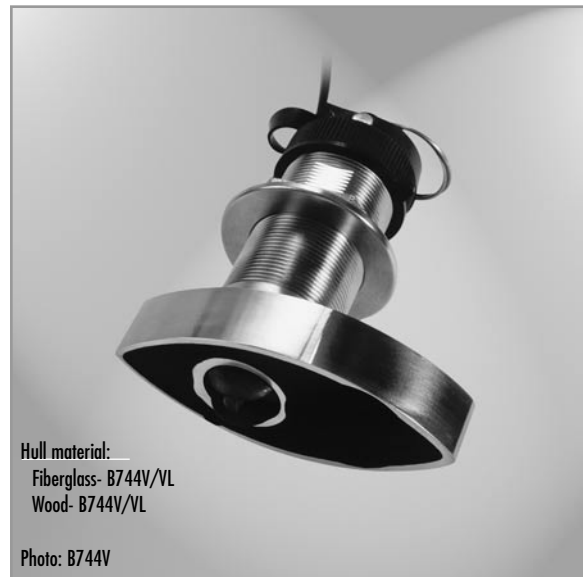
Our TRIDUCER® multisensor models feature depth, speed, and temperature in a single housing—drill only one hole in a boat! The 50/200 kHz dual frequency, single ceramic element provides good target detail in shallow water at 200 kHz and good deep water bottom tracking at 50 kHz. The B744VL's extended stem length provides the extra height needed for steep deadrise vessels or thick cored hulls.

Features:

- Speed insert is easily removed for service or storage
- Self-closing valve stops water flow when paddle-wheel is removed
- Fins on sides of paddle-wheel cavity improve accuracy at low speeds and in cross flow conditions
- Valve assembly is replaceable
- Included high performance fairing reduces drag and directs smooth water over the transducer's face for excellent echosounder performance at all speeds
- Airmar's fairings are easy to cut and will not swell or rot
- Shielding eliminates interference between the speed and depth sensors for more accurate instrument readings

Performance:

	50/200kHz-A		
	Fair	Good	
Target Resolution	Fair	Good	
Bottom Definition	Fair	Good	
Depth Range	235m – 353m 800' – 1200'	118m – 206m 400' – 700'	



Hull material:
Fiberglass- B744V/VL
Wood- B744V/VL

Photo: B744V

Frequencies:	Beam Width: (@-3dB)	Rated RMS Power: (W)	Figure of Merit: (dB)	Q:
50/200kHz-A	45°	600W	-31	28
	12°	600W	-21	31
Acoustic Window:	Urethane			
Weight:	B744V cast bronze: 2.5 kg (5.5 lb.) B744VL cast bronze: 2.9 kg (6.4 lb.)			
Hull Deadrise Angle:	Up to 28° with fairing			
Hole Diameter for Installation:	51mm (2")			
Speed Range:	1-44 knots (1-50 mph)* * Requires correction for non-linearity below 3 knots (3 mph)			
Pulse Range:	19,000 p/nm* (5.7Hz/knot with fairing) 21,500 p/nm* (6.0Hz/knot without fairing) * p/nm= pulses per nautical mile			
Supply Voltage, Thermistor:	5-25 VDC Unicurve® type thermistor: 10,000 ohms			

U.S. Patent No. 4,898,029 • U.S. Patent No. 5,186,050 • Canadian Patent No. 1,313,775
Australian Patent No. 605,281 • Japanese Patent No. 1851014



TRIDUCER® Multisensors

B744V • B744VL

Applications:

- Planing hull powerboats

Notes:

- No additional notes

Options:



- Two wire circuit
- Pulse division circuitry or other pulse rates
- CS4500 paddlewheel-less speed/temperature sensor using echocorrelation technology (see Smart Sensors)

Parts & Accessories:



Hull Nuts:
B744V- 02-030
B744VL- 02-030



High Performance Fairings:
B744V- 33-476-01
B744VL- 33-476-01



Blanking Plugs:
B744V- 33-385-01
B744VL- 33-483-01



Paddlewheel Inserts:
B744V- 20-752-1
B744VL- 20-752-3



Plastic Cap Nut:
04-234-1



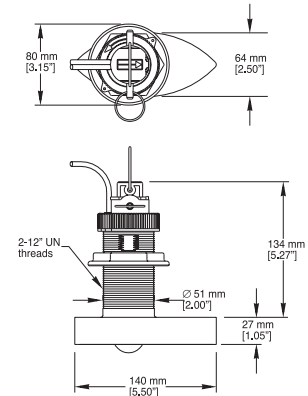
Paddlewheel Only Kit:
33-113



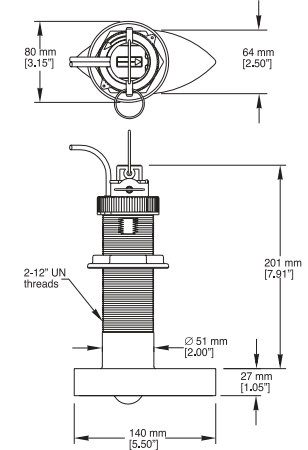
Paddlewheel & Valve Kit: 33-218

Active Speed/Temp Assemblies:
see following page for more detailed information

B744V



B744VL





TRIDUCER® Multisensors

B744V • B744VL

The speed and temperature electronics for the Airmar TRIDUCER® multisensors are located within the bronze housing. If a speed or temperature sensor fails, we offer an "active" speed/temperature with built in electronics to provide the sounder with speed/temperature readings. Two styles are offered.

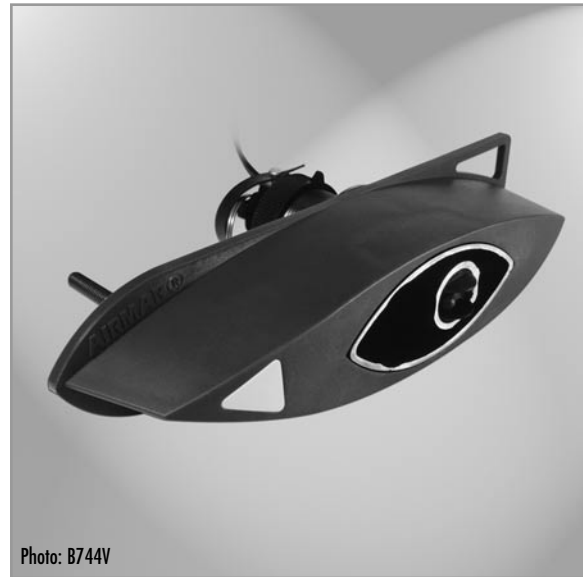


Photo: B744V


Features:

- Y-cable insert allows simple plug-in installation— the connector on the replacement insert is matched to an echosounder's connector
- Junction box and insert combination allows easy installation of an insert without rerouting the cable through the vessel's hull

Paddlewheel Insert with Y-Cable



Part Number Reference:

	B744V	B744VL
Y-cable with 7-pin Airmar connector	25-071-06	33-080-01*
Y-cable with 8-pin Fujiseimitsu	25-071-04	33-080-01*
Junction box and insert*	33-046-01	33-080-01

Paddlewheel Insert with Junction Box





TRIDUCER® Multisensors

B744V • B744VL

B744V



B744VL

