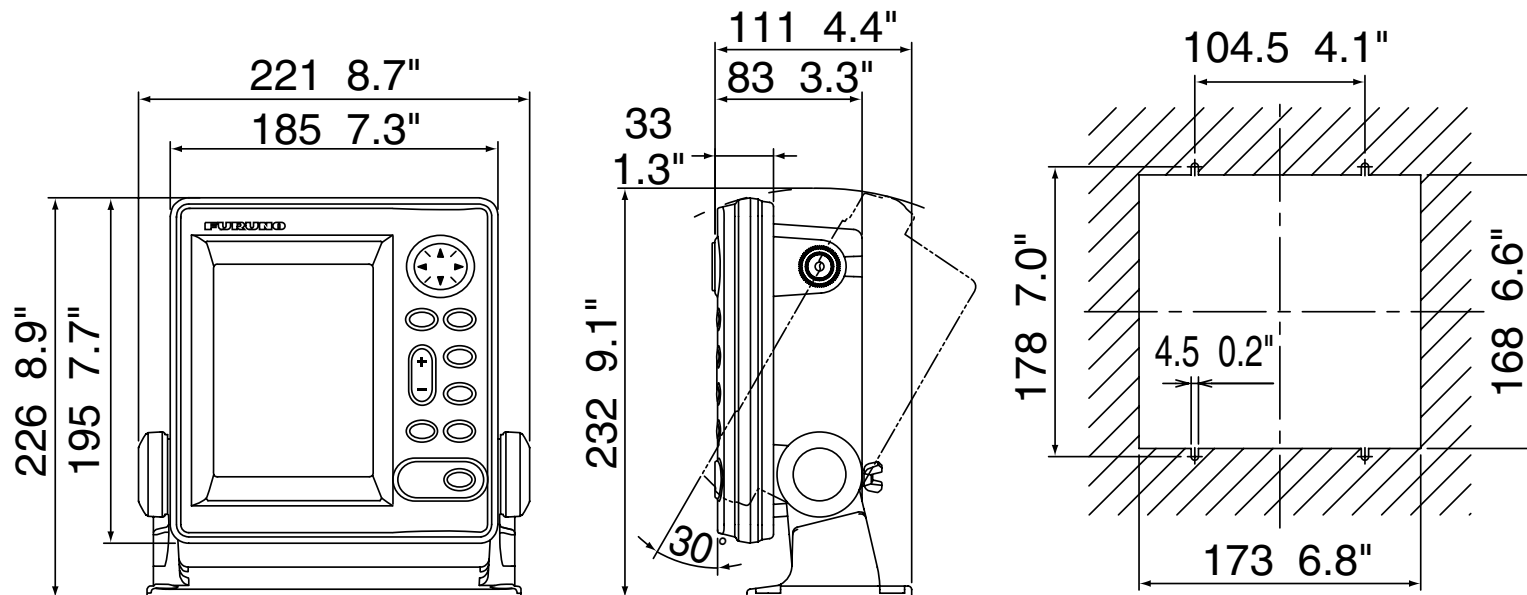


# LS6100 Dimensional Drawings

LS6100 Display Unit

1.3 kg 2.9 lb



Cutout for flush mount