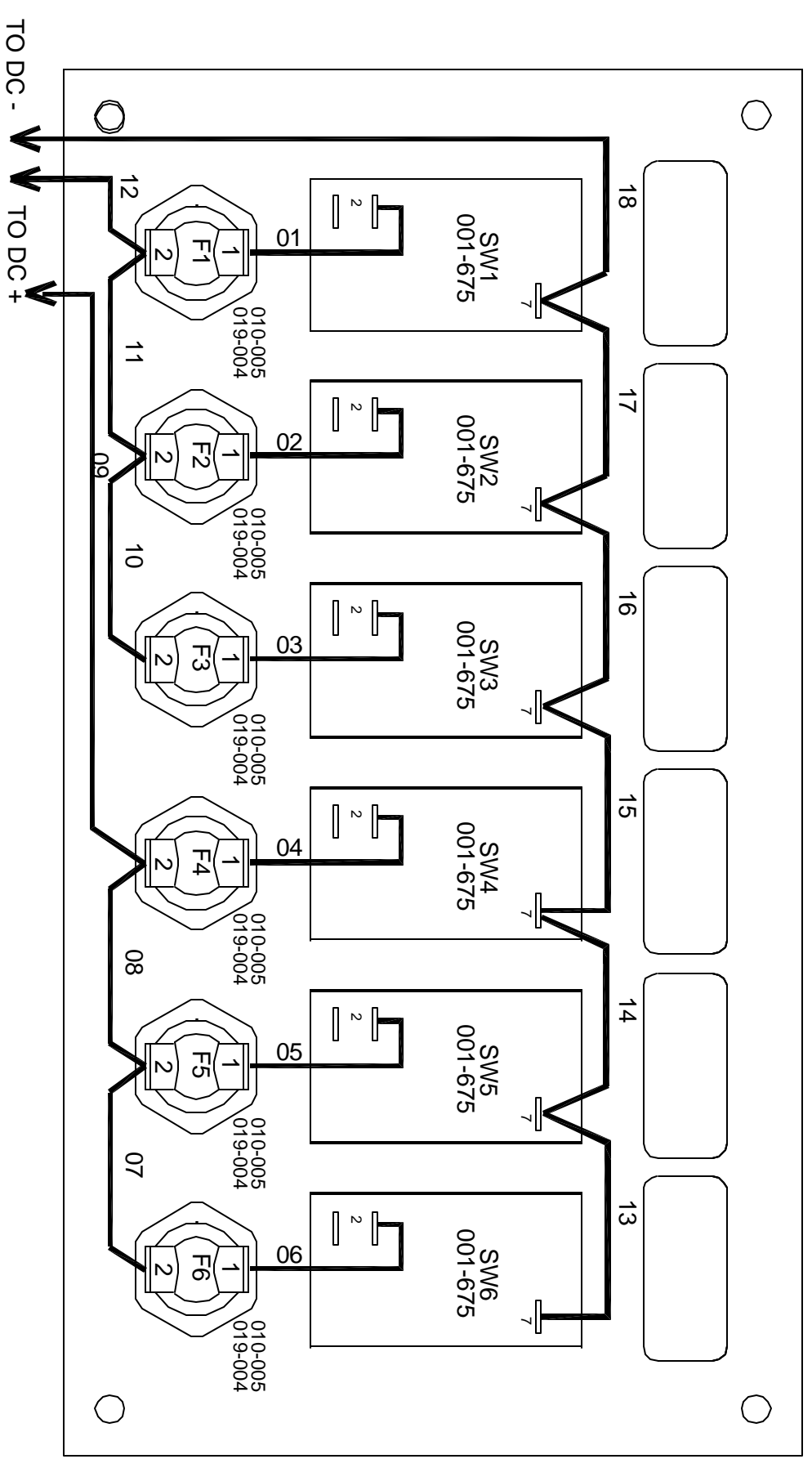


R E V I S I O N S		ECN	BY	DATE
1	ADDED SEAL TO SWITCHES	2004234	TG	10/26/04
2	REMOVED WIRE LEG FROM PANEL AND CREATED AS NEW P/N	2005179	KP	7/12/05



EXCLUSIVE PROPERTY OF PANELTRONICS, INC.  
 NOT FOR RELEASE WITHOUT PROPER WRITTEN  
 AUTHORIZATION THIS DOCUMENT DISCLOSES  
 INFORMATION WHICH PANELTRONICS INCORPORATED  
 HAS PROPRIETARY RIGHTS

**PANELTRONICS** Paneltronics, Inc.  
 11960 N.W. 87th Court  
 Hialeah Gardens, FL 33018  
 INCORPORATED

NOTES:  
 LOW PROFILE FUSE HOLDER  
 WIRES: 220-159  
 MATERIAL:

REAR VIEW  
 PNL, DC SIX ROCKER SW PNL

DRAWN BY:	DATE:	CUSTOMER:
TG	11/10/00	PANELTRONICS
SHEET:	SCALE:	SERIES/MODEL:
2 OF 2	1:1	CAT
SIZE:		DRAWING #:
A		9960012
		REV:
		2