



# World's Oldest Manufacturer of Sportfishing Equipment

**OUTRIGGERS • FIGHTING CHAIRS • ROD HOLDERS**

## Mounting Instructions for OH-226S Junior Outrigger Holder

Congratulations on your purchase. You have purchased the original wishbone mount holders. These holders have been in production for over 45 years and the design has remained basically unchanged. You can purchase replacement parts for any Lee product made since the 1930's.

The mounting plates which support the wishbone braces should be mounted as high as possible to place the sliding clamp at the top of the main tube as shown in the illustrations. Place the clamp no more than 1"-2" below the top of the main tube. This will give the outrigger maximum support in the fishing and running positions.

The tightening knob and locking gate should face the stern for convenience and, more importantly, because the gate will then fall out of the way and clear the opening for the brace when the outrigger is lowered to the fishing position.

It is important that the clamp housing is securely tightened to the main tube and the wishbone brace. This determines the alignment. The three mounting plates should be accurately aligned before bolting so that there is no binding between the sliding clamp, which is secured to the tube, and the wishbone brace when the eyebolt is removed to lay the outrigger down. The base of the main tube may be mounted either on a

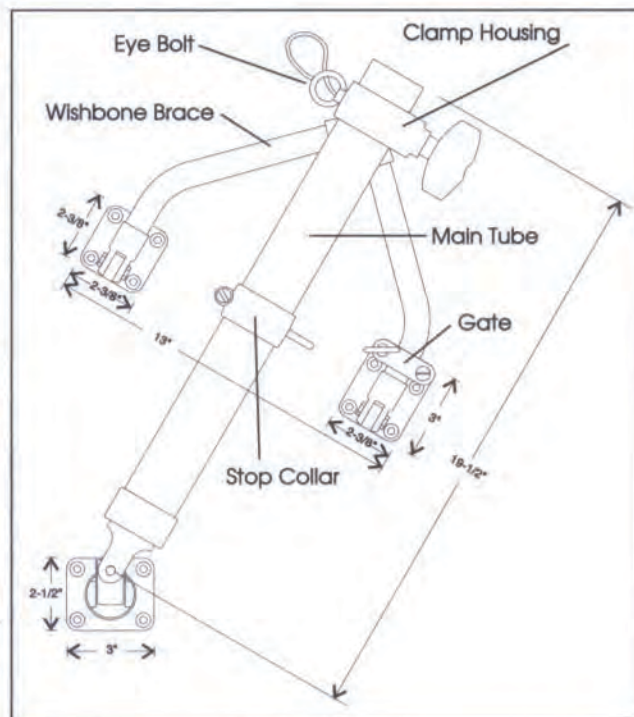


horizontal surface (gunwale) or the side of a vertical surface (cabin wall, radar arch, etc.). After the holder is mounted, determine the position for the laydown hook. Disconnect the clamp from the wishbone and lay it into the laydown hook. The closer to the top of the main tube the hook is, the more support it will provide.

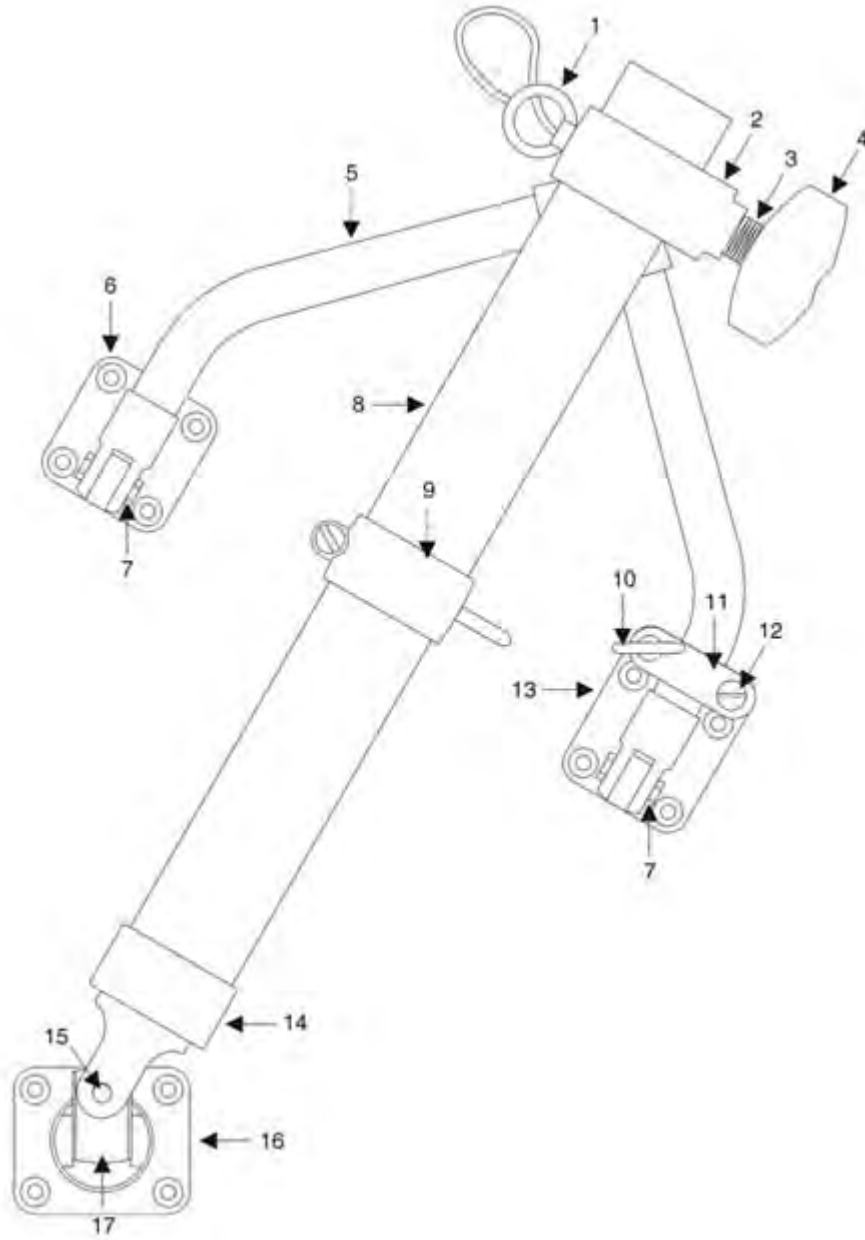
The outriggers can be mounted straight up or raked backwards as much as 45 degrees. The optimum angle is about 30 degrees, but it is best to choose an angle that places the outrigger tips relatively even with the stern of the boat. One to two feet beyond the stern is acceptable.

All mounting plates should be through bolted with stainless bolts, nuts and washers. If the mounting wall is of sufficient strength, fender washers may be enough. If not, then reinforcing with a sheet of plywood 1/2" or thicker is recommended. In instances where there is no access to the rear of the mounting surface, and the mounting surface is of sufficient thickness, (it must be at least 1/4" of an inch thick) you may drill a tap hole. Tap the hole with a 1/4-20 tap and screw in the bolts. If the mounting surface has a wood core self tapping sheet metal screws may be used. In either case care must be taken to drill a tight hole so maximum thread depth is achieved.

If you experience problems or have questions concerning installation, you may contact the factory at the number below for technical support. Thank you and good fishing!



# Lee's Wishbone Outrigger "The Junior" Parts List



## **OH226S and OH234S PARTS LIST**

### ***WISHBONE***

	OH2026-0100	SMALL WISHBONE - COMPLETE with BASES
5	OH2026-0101	SMALL WISHBONE with BOLT & LOCK NUT
7	OH2026-0102	CLEVIS BOLT & LOCK NUT
	OH2034-0100	LARGE WISHBONE - COMPLETE with BASES
	OH2034-0101	LARGE WISHBONE with BOLT & LOCK NUT

### ***CLAMP HOUSING***

	OH2026-0200	CLAMP HOUSING - COMPLETE
2	OH2026-0201	CLAMP HOUSING - ONLY
1	OH2026-0202	EYEBOLT with CABLE
	OH2026-0203	CABLE with BALL STOP - ONLY
	OH2026-0204	CRESCENT

### ***KNOB***

	OH2026-0300	KNOB COMPLETE with RIVET & PIN
3	OH2026-0301	KNOB STUD, SCREW, RIVET & PIN
	OH2026-0302	KNOB SCREW
	OH2026-0303	KNOB RIVET & PIN

### ***FOUR HOLE BASE***

6	OH2026-0401	FOUR HOLE (ONE PRONG) SQUARE BASE
---	-------------	-----------------------------------

### ***SIX HOLE BASE***

	OH2026-0500	SIX HOLE (ONE PRONG) BASE - COMPLETE
13	OH2026-0501	SIX HOLE (ONE PRONG) BASE - ONLY
10	OH2026-0502	EYE NUT, STUD & NUT
11	OH2026-0503	GATE with BOLT & NUT
	OH2026-0504	GATE ONLY
12	OH2026-0505	BOLT & NUT (GATE)

### ***MAIN TUBE***

	OH2026-0600	2 in. X 18 in. SS TUBE with CUP
8	OH2026-0601	2 in. X 18 in. SS TUBE ONLY
	OH2034-0600	2 in. X 36 in. SS TUBE with CUP
	OH2034-0601	2 in. X 36 in. SS TUBE ONLY

### ***CUP***

14	OH2026-0701	CUP (TWO PRONG) WITH PINS
	OH2026-0702	CUP PINS

### ***LONG BLOCK***

	OH2026-0800	LONG BLOCK, BLOCK PINS & COTTER PIN
17	OH2026-0801	LONG BLOCK with COTTER PIN
15	OH2026-0802	BLOCK PIN
	OH2026-0803	COTTER PIN (LONG BLOCK)

### ***RECTANGULAR BASE***

16	OH2026-0901	RECTANGULAR BASE (TWO PRONG)
----	-------------	------------------------------

### ***ACCESSORIES***

9	MC20	2 in. STOP COLLAR
	MC0014	2 in. LAY-DOWN HOOK SS
	MC10	2 in. HOLDING BRACKET

Ref



# World's Oldest Manufacturer of Sportfishing Equipment

OUTRIGGERS • FIGHTING CHAIRS • ROD HOLDERS

ALL DIMENSIONS ARE APPROXIMATE AND  
ARE TO BE USED AS A GUIDELINE ONLY.  
FOR COMPLETE ACCURACY USE PRODUCT  
TO DETERMINE CORRECT MOUNTING POINTS.

SHOWN MOUNTED AT 30 DEGREES  
RAKED BACK FROM VERTICAL.

