

Cat. No. 1344 Series L.E.D.
White All-Round Lights
These lights are designed for use on **SAIL or POWER** driven vessels under 20 meters (65.6 ft.) in length operating on a nominal 12 volt system.

Cat. No. 1345 Series L.E.D.
White All-Round Lights
These lights are designed for use on **POWER** driven vessels under 20 meters (65.6 ft.) in length operating on a nominal 12 volt system.

Approval Dates
Fig. 1344- 6/8/06
Fig. 1345 - 11/9/06

In order to comply with '72 COLREGS and the U.S. Inland Rules, the following must be adhered to:

MOUNTING INFORMATION

Read all instructions before proceeding.

- 1). For proper light selection, positioning and configuration, refer to A.B.Y.C. Standard A-16*, the '72 COLREGS*, and the U.S. Inland Rules*.
- 2). These lights are designed to be mounted on a horizontal surface. Horizontal rotation of these lights is unimportant, as all-round lights have 360° horizontal arc of visibility.
- 3). Cut out the template below. Tape it to the mounting surface.
- 4). Drill two holes through the template to accommodate #8 round or pan head mounting screws. Drill one 3/8 inch hole to accommodate the electrical supply wires.
- 5). Attach supply connections to the light, making sure to wire in accordance with both A.B.Y.C. Standard E-9* and U.S. Coast Guard Safety Standards for Boat Electrical Systems (33 CFR 183)*. If supplied with two black leads, these lights are not polarity sensitive; otherwise connect red to positive and black to negative electrical supply.
- 6). Mount the base in accordance with the template.
- 7). Make sure the light is vertical during operation, in order to assure compliance with the technical details of the regulations and employ the "Reduced Glare" feature of this optical system.
- 8). These lights use white L.E.D.'s and therefore are not serviceable. The lens/globe is permanently sealed and cannot be opened. A warm pole during operation is normal.

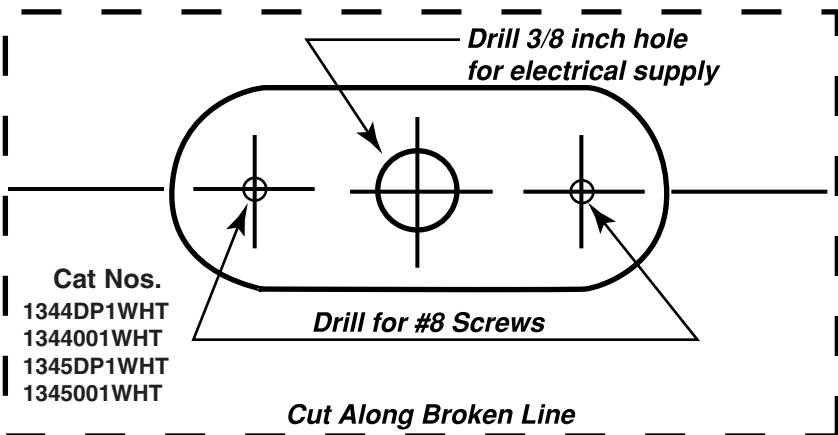
*The above referenced standards can be obtained from:

- (1). American Boat & Yacht Council, Inc.
613 Third Street, Suite 10
Annapolis, MD 21403
- (2). U.S. Coast Guard
Washington, D.C. 20593
(or your local C.G. Office)

1344INS1
12/08

PERKO, INC.
16490 N.W. 13th Avenue
Miami, FL 33169-5707
www.perko.com

MOUNTING Template



Cat Nos.
1344DP1WHT
1344001WHT
1345DP1WHT
1345001WHT