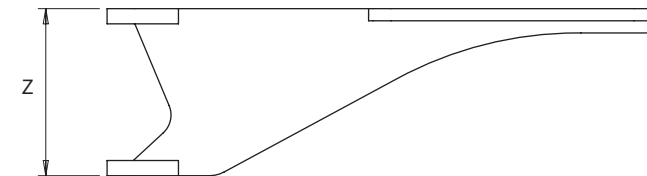
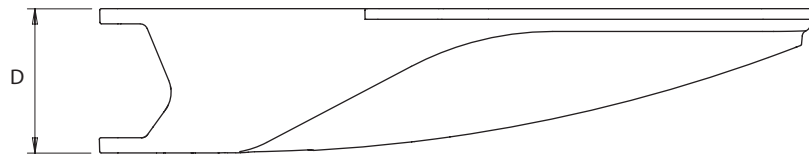
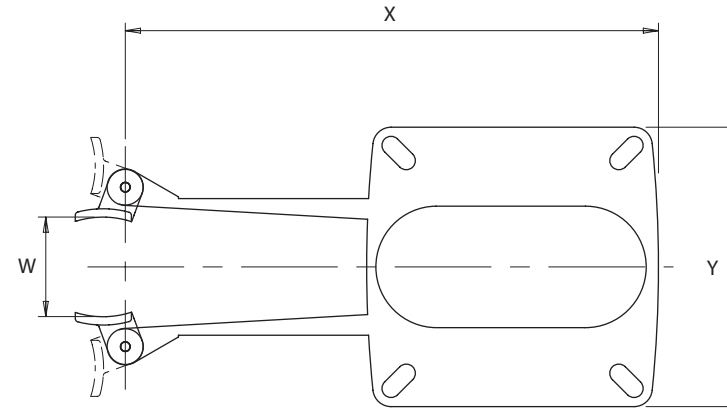
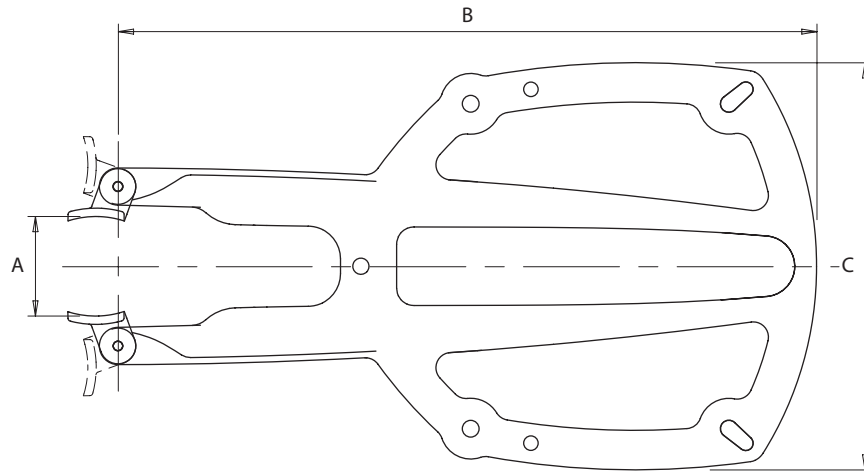


Mast Mount

For help & information
 email: technical@scanstrut.com
 tel: +44 (0) 1803 863800



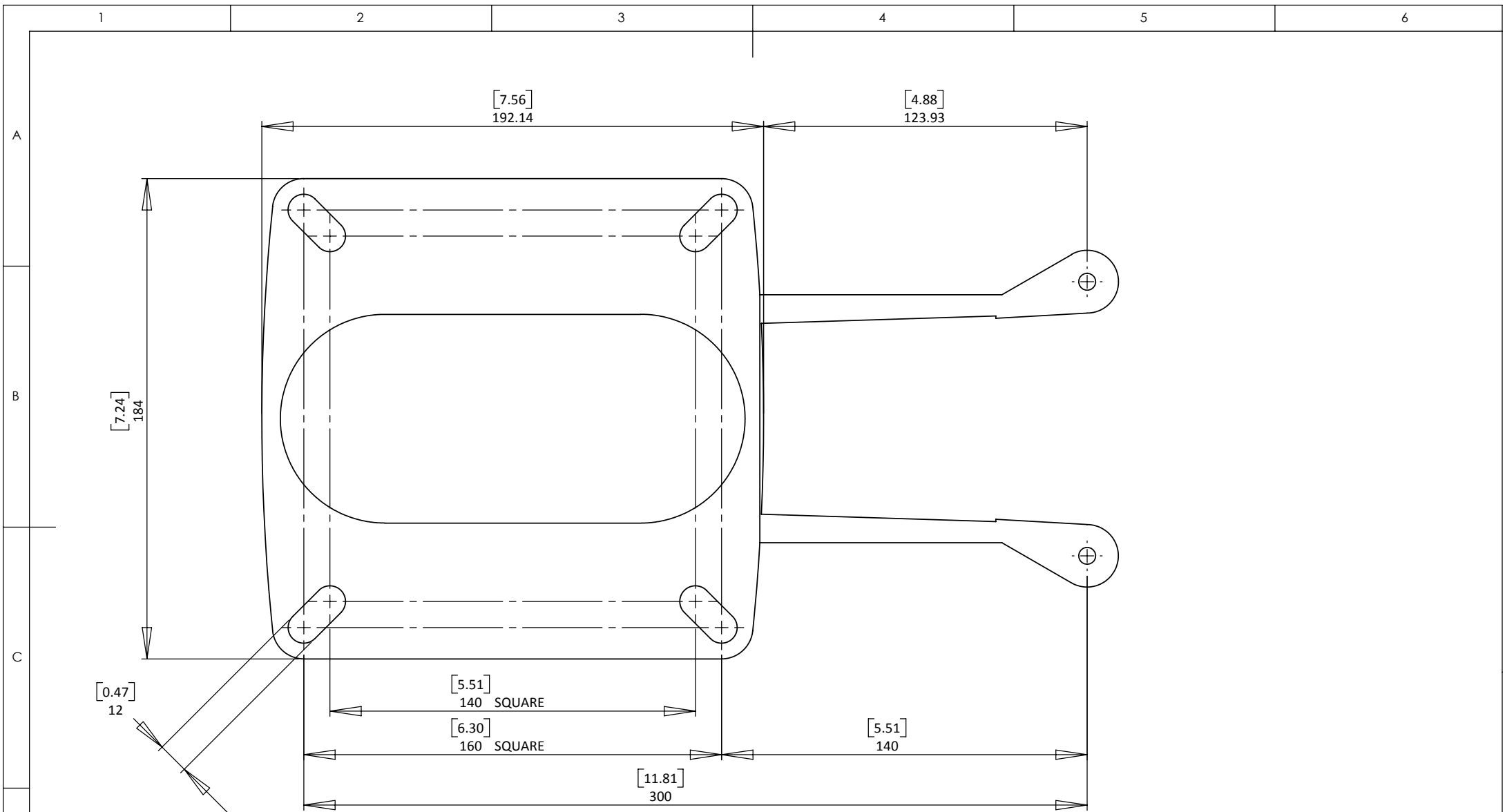
	A* mm / inches	B mm / inches	C mm / inches	D mm / inches
SC16	65/2.6	400/15.8	198/7.9	95/3.7
SC20	65/2.6	460/18.1	268/10.6	95/3.7
SC21	65/2.6	520/20.5	278/10.9	125/4.9
M92722	65/2.6	467/18.4	278/10.9	95/3.7
M92698	76/3	530/20.8	300/11.8	180.8/7.1

	W* mm / inches	X mm / inches	Y mm / inches	Z mm / inches
SC12	77/3	351/13.8	185/7.5	110/4.3
SC18	72/2.8	311/12.2	85/7.3	92/3.6

* indicates minimum mast width, no maximum mast width exists.

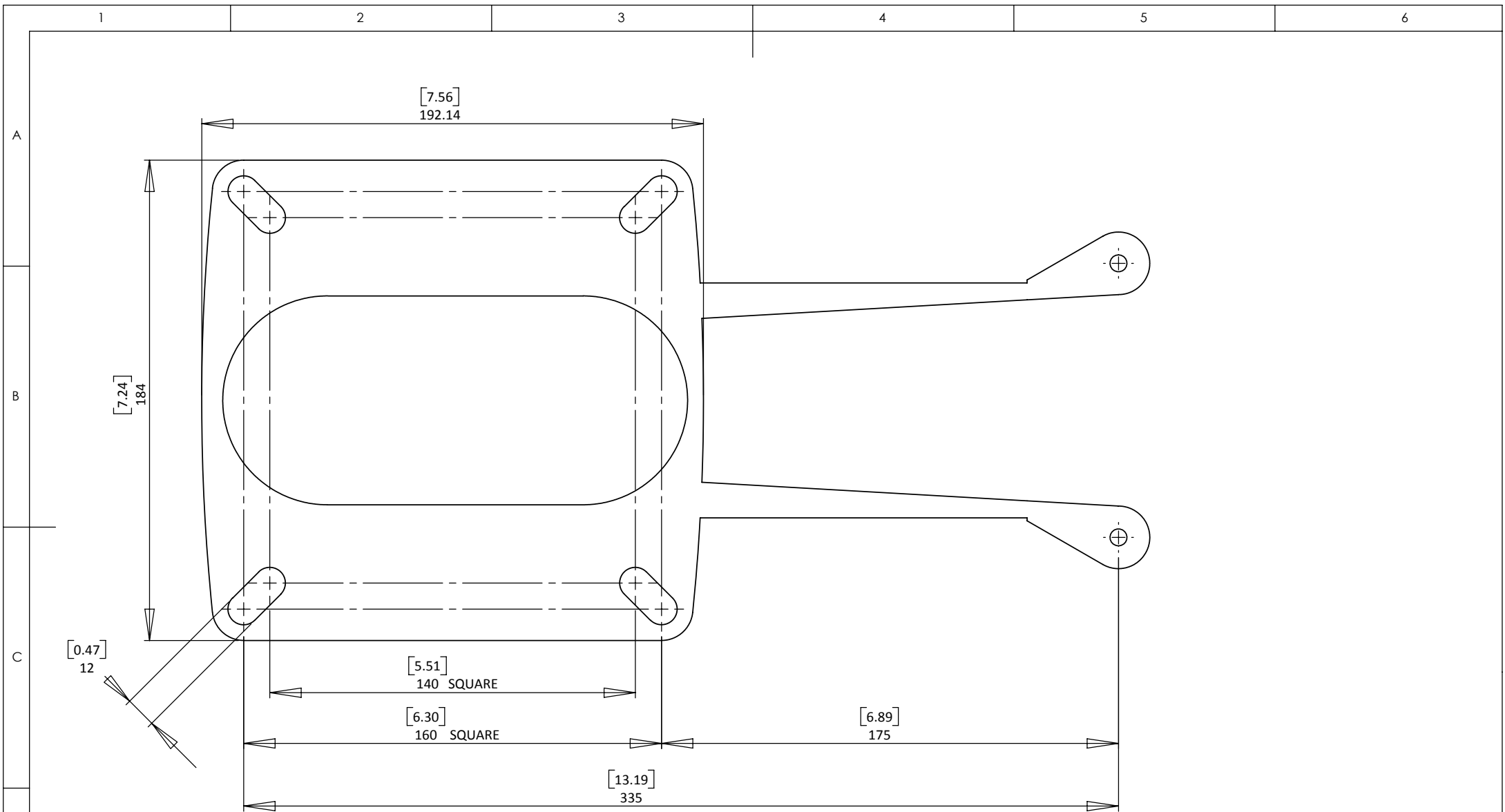
** 50100 Adapter kit will be required for Z-Spars, Eurospars and Isomat masts





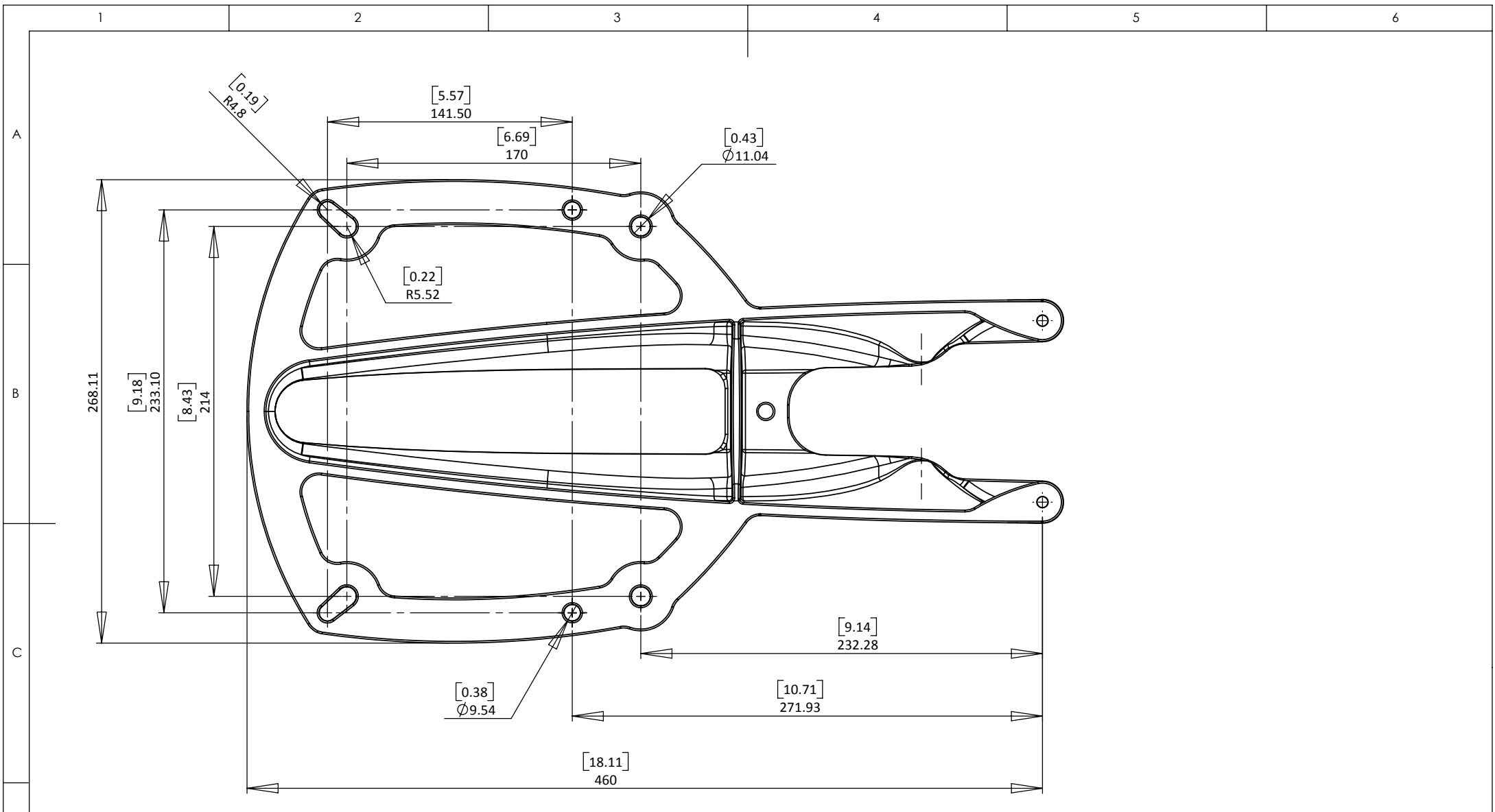
SCANSTRUT
 DESIGN COPYRIGHT OF SCANSTRUT LTD

SCALE:1:2	A4	DO NOT SCALE DRAWING
UNLESS OTHERWISE SPECIFIED: DIMENSIONS ARE IN MILLIMETERS		GENERAL TOLERANCES: ±0.1 UNLESS OTHERWISE STATED. IF IN DOUBT PLEASE ASK
TITLE: SC18 Radar Fixing Dimensions		
PART NO.	REVISION	
DRAWN JF	DATE	25-7-06
SHEET 1 OF 5		



SCANSTRUT
 DESIGN COPYRIGHT OF SCANSTRUT LTD

SCALE:1:2	A4	DO NOT SCALE DRAWING
UNLESS OTHERWISE SPECIFIED: DIMENSIONS ARE IN MILLIMETERS		GENERAL TOLERANCES: ±0.1 UNLESS OTHERWISE STATED. IF IN DOUBT PLEASE ASK
TITLE: SC12 Radar Fixing Dimensions		
PART NO.	REVISION	
DRAWN	DATE	
SHEET 2 OF 5		



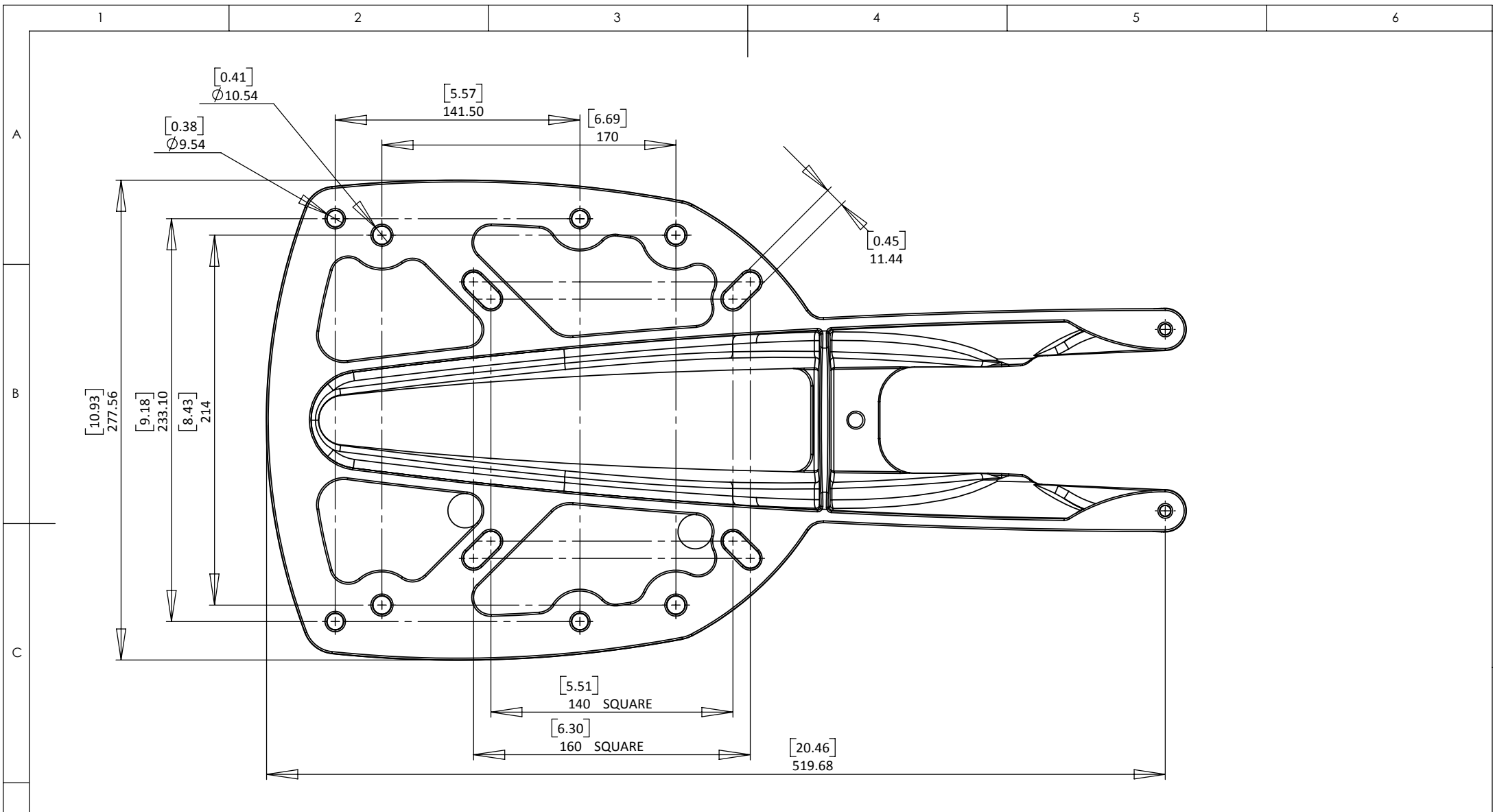
SCANSTRUT
 DESIGN COPYRIGHT OF SCANSTRUT LTD

SCALE:1:3 A4 DO NOT SCALE DRAWING

UNLESS OTHERWISE SPECIFIED: DIMENSIONS ARE IN MILLIMETERS
 GENERAL TOLERANCES: ±0.1 UNLESS OTHERWISE STATED. IF IN DOUBT PLEASE ASK

TITLE: SC20 Radar Fixing Dimensions

PART NO.	REVISION
DRAWN	DATE
SHEET 4 OF 5	



SCANSTRUT
 DESIGN COPYRIGHT OF SCANSTRUT LTD

SCALE:1:3 A4 DO NOT SCALE DRAWING

UNLESS OTHERWISE SPECIFIED: GENERAL TOLERANCES: ± 0.1
 DIMENSIONS ARE IN MILLIMETERS UNLESS OTHERWISE STATED.
 IF IN DOUBT PLEASE ASK

TITLE: SC21 Radar Fixing Dimensions

PART NO.	REVISION
DRAWN	DATE
SHEET 5 OF 5	