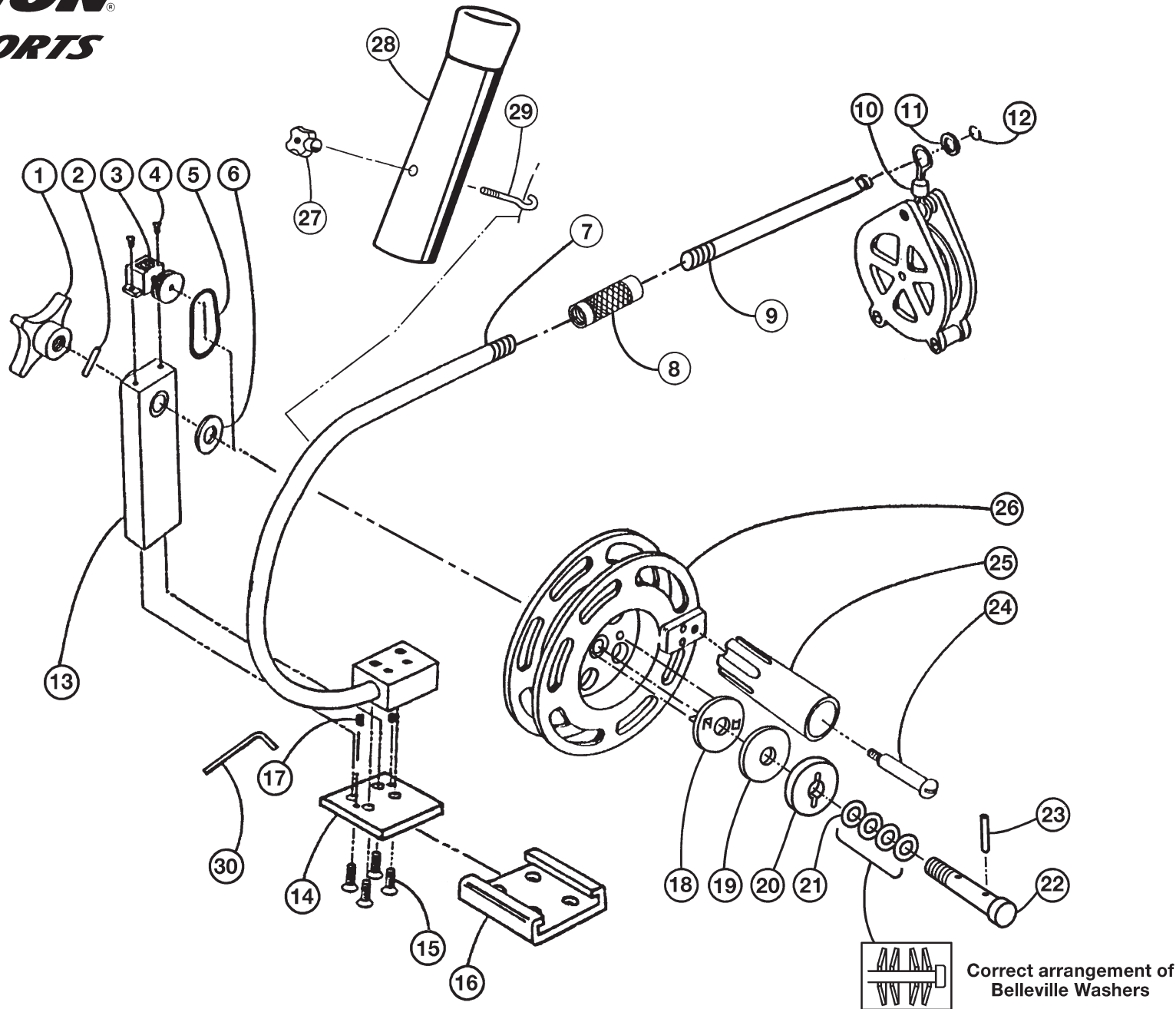




Gadabout® Slim-Line Manual Downrigger

Parts List MD00319



| Detail No. | Description | Qty. | Order By Part No. |
|------------|-----------------------------------|-------|-------------------|
| 1 | Clutch Knob | 1 | 51152 |
| 2 | 1/8 x 1 in. Roll Pin | 1 | 2175 |
| 3 | Counter w/ Med. Lg. Wheel | 1 | FC600JD88 |
| 4 | Counter Screws | 2 | 2014 |
| 5 | Counter Spring / Small | 1 | 2284 |
| 6 | 1/2 in. I. D. Washer | 1 | 2238 |
| 7 | J-Rod & Block Assembly | 1 | MDJROD/ASM |
| 8 | Rod Collar | 1 | 51044 |
| 9 | 10-1/2 in. End Rod | 1 | 5123 |
| 10 | 5 Spoke Tip Assembly | 1 | BJ3049 |
| 11 | Aluminum Tip Retainer | 1 | 51043 |
| 12 | Tip Retainer Ring | 1 | 2181 |
| 13 | 318 Upright w/ Bushing | 1 | 51299 |
| 14 | Base Plate 319 | 1 | 55557 |
| 15 | 1/4-20 x 3/4 in. Flat Head Screws | 4 | 2009 |
| 16 | Mounting Channel 319 | 1 | 55558 |
| 17 | Allen Set Screws | 2 | 2261 |
| 18 | Inner Clutch Disk | 1 | 51098 |
| 19 | Graphite Pad | 1 | 2307 |
| 20 | Outter Clutch Disk | 1 | 51093 |
| 21 | Belleville Washers | 4 | 2231 |
| 22 | Inner Shaft | 1 | 51757 |
| 23 | 3/16 x 3/4 in. Dowel Pin | 1 | 2165 |
| 24 | Bolt w/ Sleeve | 1 ea. | 2005/51085 |
| 25 | Handle | 1 | 51161 |
| 26 | 6 in. Reel | 1 | 51174 |
| 27 | Mounting Knob | 1 | 51172 |
| 28 | Rod Holder Tube & Cap | 1 | 51045 |
| 29 | Mounting Hook | 1 | 2501 |
| 30 | Allen Wrench | 1 | 2260 |