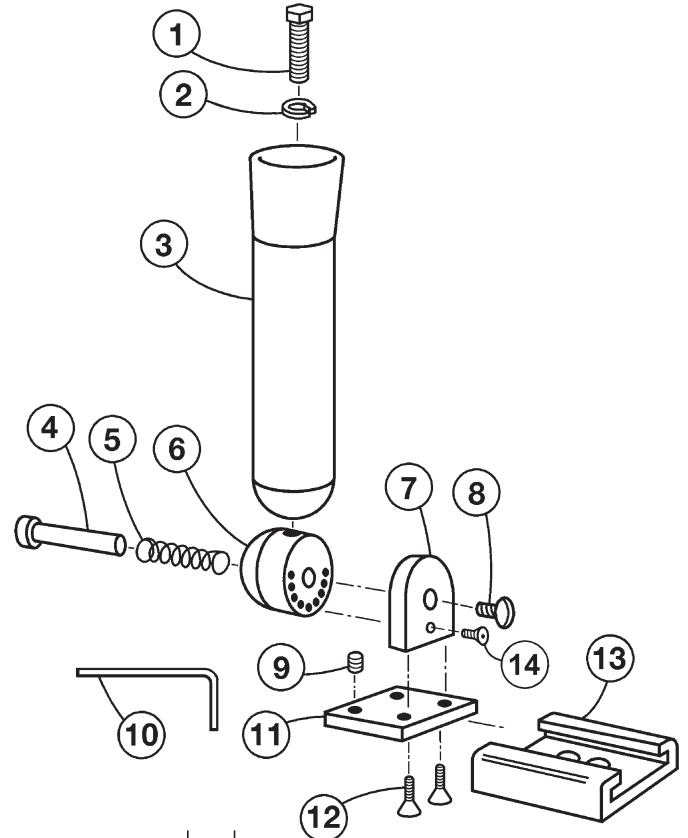




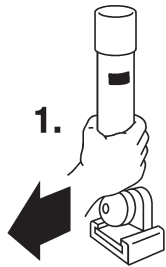
Multi-Set[®] Rod Holder

Parts List RH00432

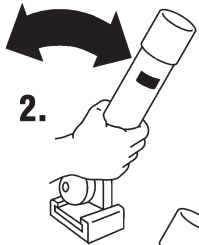
Detail No.	Description	Qty.	Order By Part No.
1	1/2-20 x 2 in. HHCS Bolt	1	2351
2	1/2 in. SS Lock Washer	1	2241
3	Tube w/ Plug & Cap	1	51221
4	1/2 x 2-1/4 in. Pivot Pin	1	55555
5	Spring	1	2600
6	Multi-Set Barrel	1	55551
7	Multi-Set Igloo	1	55550
8	1/4-20 x 3/8 in. Slot HD Screw	1	2158
9	1/4-20 x 3/16 in. Set Screws	2	2261
10	1/8 in. Allen Wrench	1	2260
11	2-1/2 x 2-1/2 in. Base Plate	1	55552
12	1/4-20 x 3/4 in. Fl Hd Cap Screws	2	2009
13	2-1/2 in. Track	1	54024
14	1/4-20 x 3/4 in. Fl Hd Cap Screw	1	2009



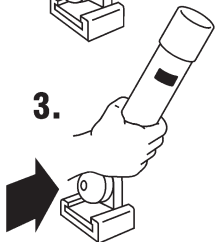
Mounting & Using Your Multi-Set[®] Rod Holders



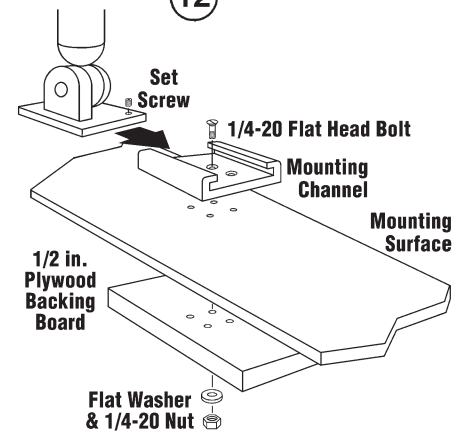
1. Firmly grasp the lower end of the rod holder tube and pull the spring-loaded dome away from the locking pin of the upright base.



2. Rotate the rod holder tube to any of the seven locking positions in the spring-loaded dome.



3. Release the rod holder tube and let the locking pin in the upright base set into the nearest locking hole in the spring-loaded dome.



1. Make sure all electrical wiring below the mounting surface are clear of the area to be drilled.
2. Use the mounting channel as a template to locate and mark the holes.
3. Drill the holes in the mounting surface and the backing board together. (The use of a backing board is recommended to distribute any stress over the mounting surface).
4. Bolt the mounting channel and the backing board to the mounting surface with flat washers and nuts.