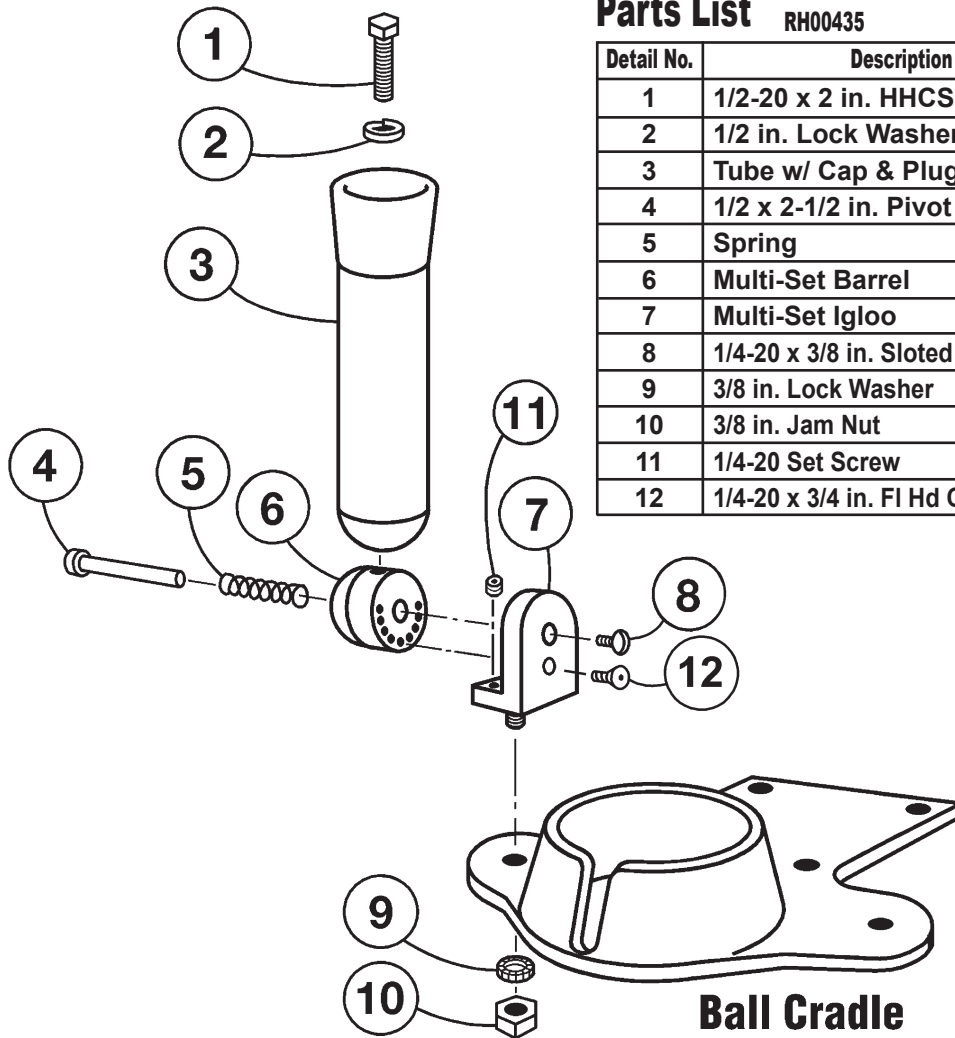


BIG JON® **Multi-Set**® **SPORTS** Rod Holder (For Ball Cradle)

Parts List RH00435

Detail No.	Description	Qty.	Order By Part No.
1	1/2-20 x 2 in. HHCS Bolt	1	2351
2	1/2 in. Lock Washer	1	2241
3	Tube w/ Cap & Plug	1	51221
4	1/2 x 2-1/2 in. Pivot Pin	1	55555
5	Spring	1	2600
6	Multi-Set Barrel	1	55551
7	Multi-Set Igloo	1	55556
8	1/4-20 x 3/8 in. Slotted Truss Hd Screw	1	2158
9	3/8 in. Lock Washer	1	2237
10	3/8 in. Jam Nut	1	2113
11	1/4-20 Set Screw	1	2261
12	1/4-20 x 3/4 in. Fl Hd Cap Screw	1	2009



**Ball Cradle
(BC2202)
Sold separately**

Mounting Instructions

1. Mount the Multi-Set rod holder to the Ball Cradle using the 3/8 inch nut & washer provided
2. Rotate the rod holder to the desired position and secure the set screw using a 1/8 inch Allen wrench

