



Reading T3311

LED Swivel Reading Light

PRODUCT HIGHLIGHTS

- 2 Watts
- 9-30V DC Input
- Integrated Switch
- Machined Aluminum Housing
- 6° or 22° Beam Angle

TYPICAL APPLICATIONS

- Marine
- Rail

SPECIFICATIONS

SUITABLE ENVIRONMENTS



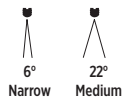
LED COLORS

- Cool White
- Neutral White
- Warm White

BEZEL FINISH

- Clear Anodized

BEAM ANGLE



CERTIFICATIONS



Features

■ SURFACE MOUNT

Surface mount via 3 screws for simple installation.

■ INTEGRATED SWITCH

Optional switch for simple on/off operation.

■ ADJUSTABLE BALL JOINT

Fully adjustable ball joint design offers fluid motion and maximum adjustment.

■ SMARTDRIVER INTEGRATED

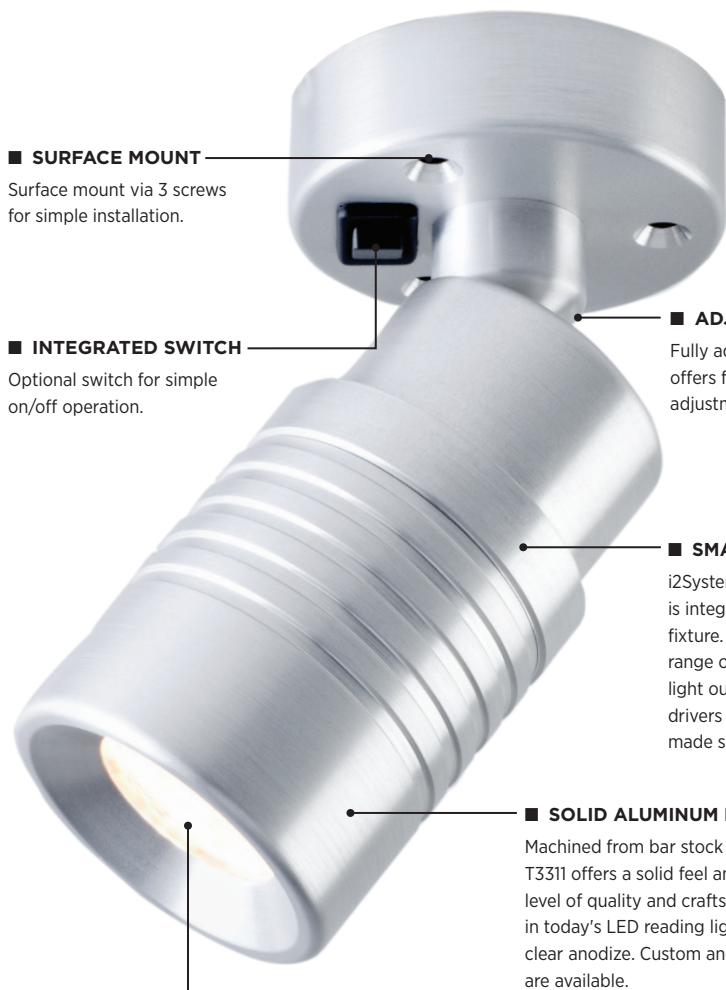
i2Systems SmartDriver technology is integrated directly inside of every fixture. Connect the T3311 to a wide range of voltages without sacrificing light output or lifetime. No external drivers are required and wiring is made simple.

■ SOLID ALUMINUM HOUSING

Machined from bar stock aluminum, the T3311 offers a solid feel and the highest level of quality and craftsmanship found in today's LED reading lights. Finish is clear anodize. Custom anodize finishes are available.

■ ADVANCED OPTICAL SYSTEM

6° and 22° beam angle options ensure high efficiency, optimal coverage, and sharp cutoff. Meets APTA requirements and minimizes light spillover into adjacent passenger seating.

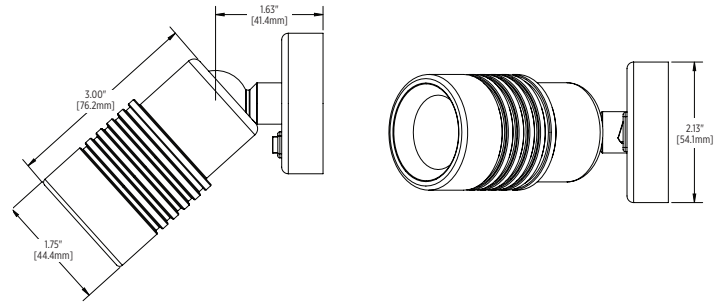


SPECIFICATIONS

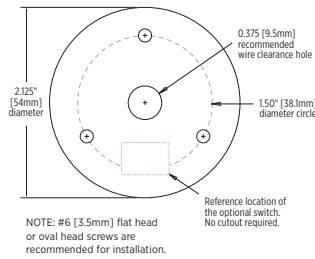
ITEM	PARAMETER	VALUE
Electrical	Input Power	2 Watts*
	Input Voltage Range	9-30V DC
	Integrated Driver	✓
	Protection Features	Transient Protection, Reverse Polarity, Autoreset Fuse
Optical	Emitting Angle	22° Angle
	LED Color	Cool White, Neutral White, Warm White
	LED Colors per Fixture	1
	Class	Class 2 LED Product
Physical	Dimensions	Refer to drawings on right
	Housing Construction	Aluminum
	Lens Material	Polycarbonate
	Finishes	Clear Anodized
	Mounting Method	Screw Mount Surface
	Operating Temp. Range	-20°C to 40°C, Max. Case Temp (Tc): 50°C
	Humidity	0 to 95%, non-condensing
	Environment	Dry, Damp
	Certification	FCC Part 15, Class A, RoHS Compliant

*Due to constant power design, input current (Iin) will vary depending on input voltage. Be sure to size wire awg accordingly for worst case input voltage.

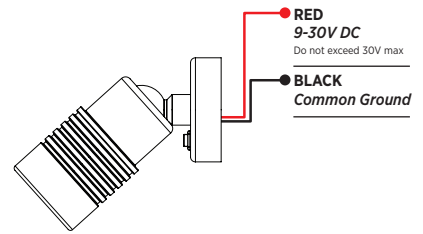
DIMENSIONS



MOUNTING



WIRE FUNCTION



ORDERING NUMBER

FACTORY NUMBER EXAMPLE: **T3311Z-11MCAB**
 USER SELECTED OPTION Clear Anodized Finish, Medium Beam Angle, Warm White LED, with On/Off Switch

T3311Z - * * * * **XXX**
 Product Type Switch Finish Beam Angle LED Color Color Bin Code
 0= No Switch 1 Clear Anodized N= Narrow A Cool White
 1= On/Off Switch M= Medium B Neutral White
 C Warm White

INSTALLATION EXAMPLES

