

Technical specifications

Power	
Power Supply	12V DC nominal (via network)
Power Consumption	Backlight off: 45mA @ 13.5V DC Backlight max: 145mA @13.5V DC
Technical/Environmental	
Housing	ABS moulding
Waterproofing standard	IPx7
Operating temperature	-10° C to +55° C (+14° F to + 131° F)
Storage temperature	-30° C to +70° C (-22° F to 158° F)
Maximum Humidity	100%
Connectors	1x male Micro-C
Weight excluding bracket	155 grams (0.34 lb)
Retention Bracket weight	25 grams (0.06 lb)

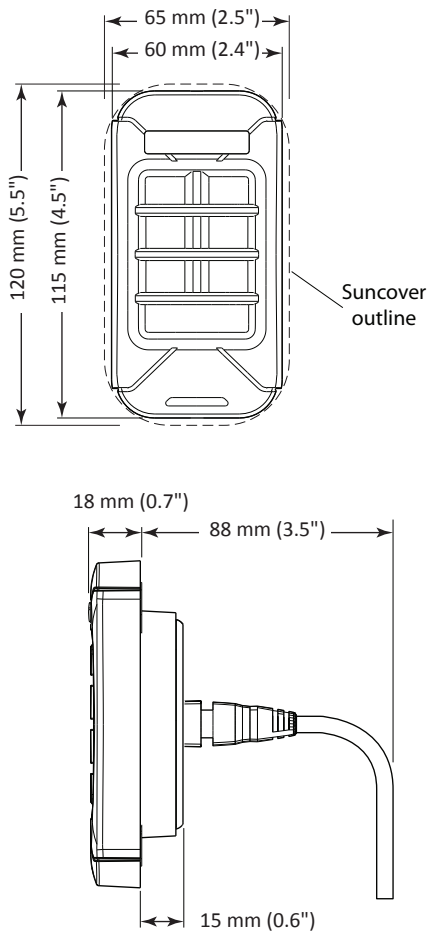


System Installation manual
System Operator manual

www.simrad-yachting.com
www.bandg.com

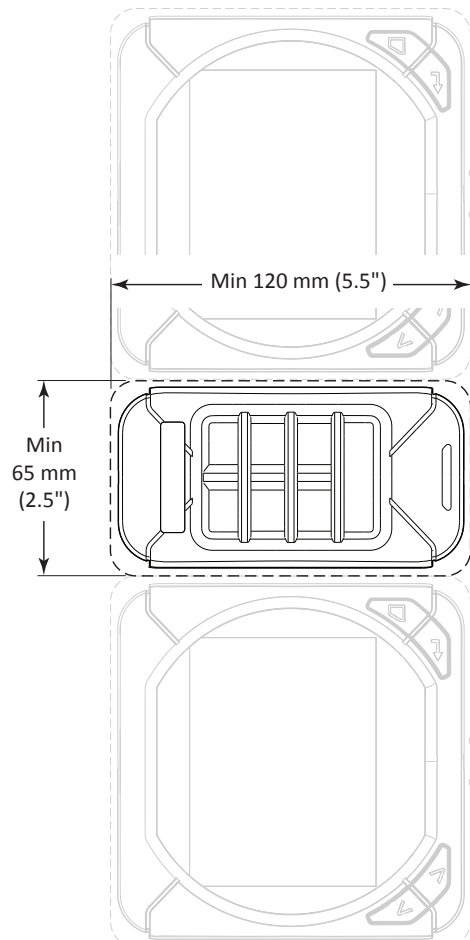


Dimensions - Single unit

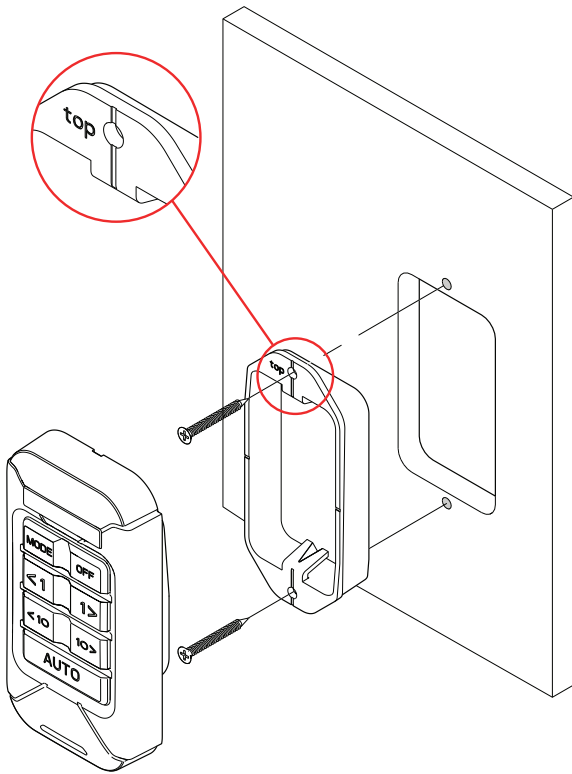


www.bandg.com | www.simrad-yachting.com

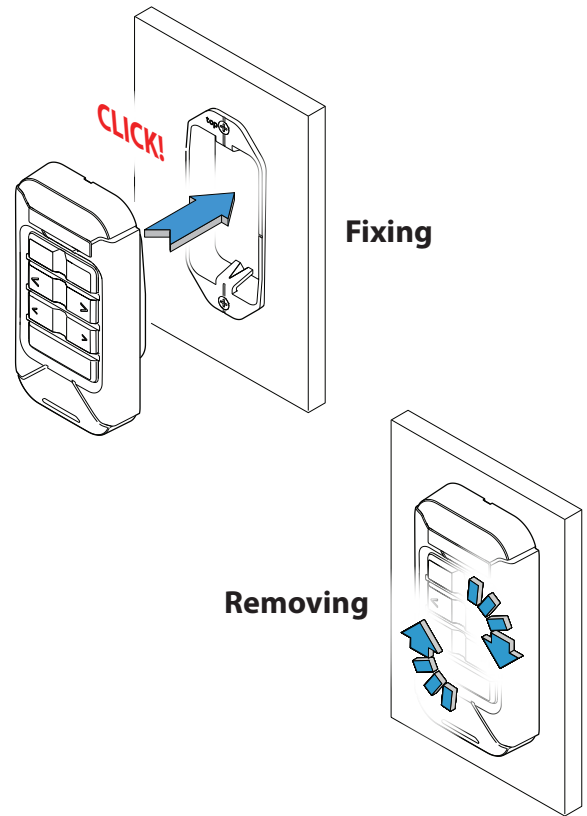
Dimensions - Multiple instruments



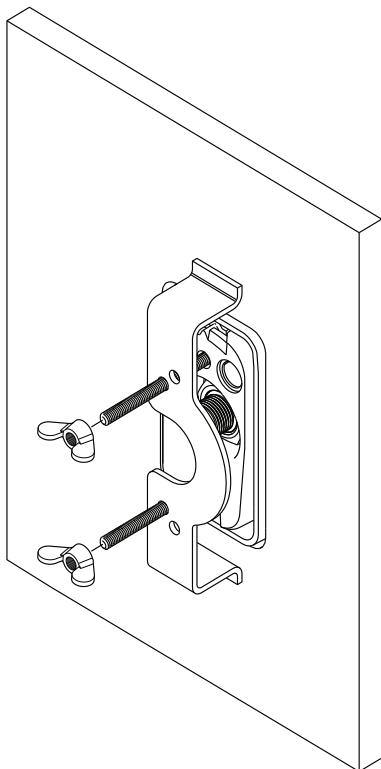
Installation - Mounting clip (1)



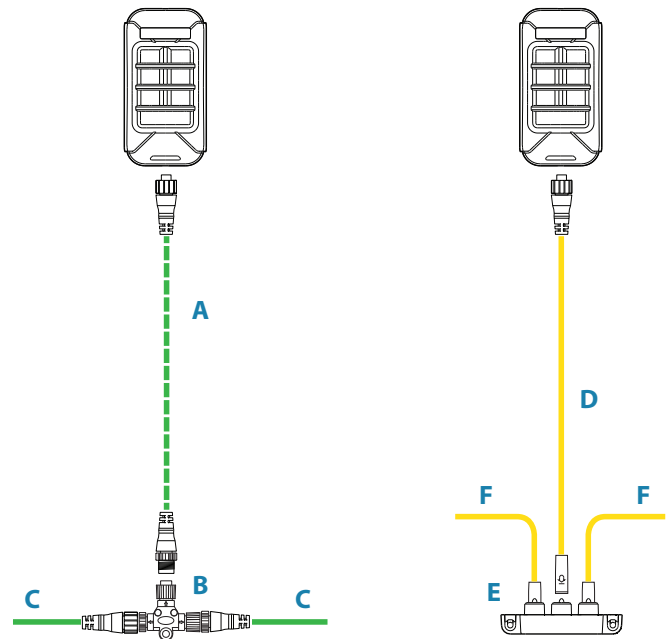
Installation - Mounting clip (2)



Installation - Bracket



Wiring



A	0.6 m drop cable, male-female Micro-C plugs (included)
B	Micro-C T-connector (included)
C	NMEA 2000 backbone
D	SimNet to Micro-C adapter cable
E	SimNet Multi-joiner
F	SimNet backbone