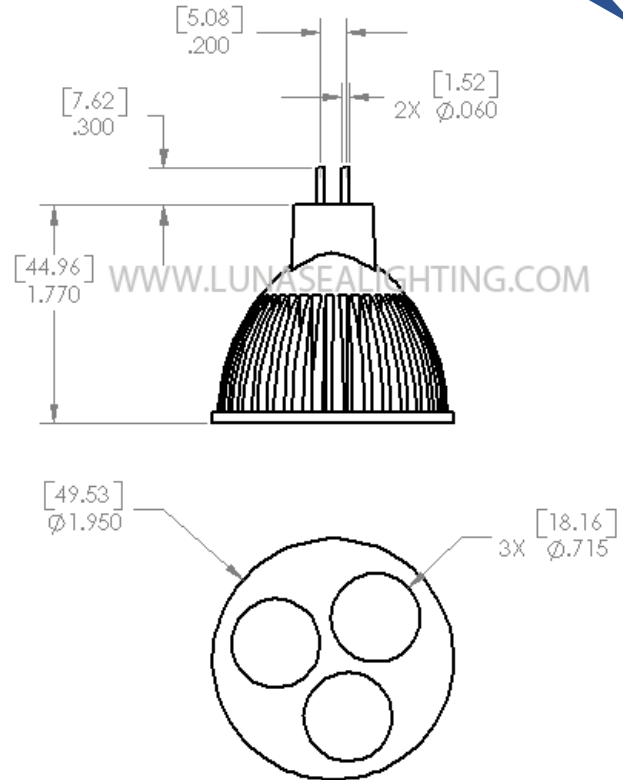


Part #

LLx-16Nx-61-00



Voltage Range:	10-30VDC / 12VAC
Power Consumption:	3.12 Watt
Light Output:	
LLx-16ND-61-00	240 Lumens
LLx-16NW-61-00	195 Lumens
Color Temp:	
LLx-16ND-61-00	6000-7000K
LLx-16NW-61-00	2901-3500K
Base Style:	MR16 / 3 LED
Beam Spread	Spot