



TRACON

12' / 10'
INSTALLATION
MANUAL



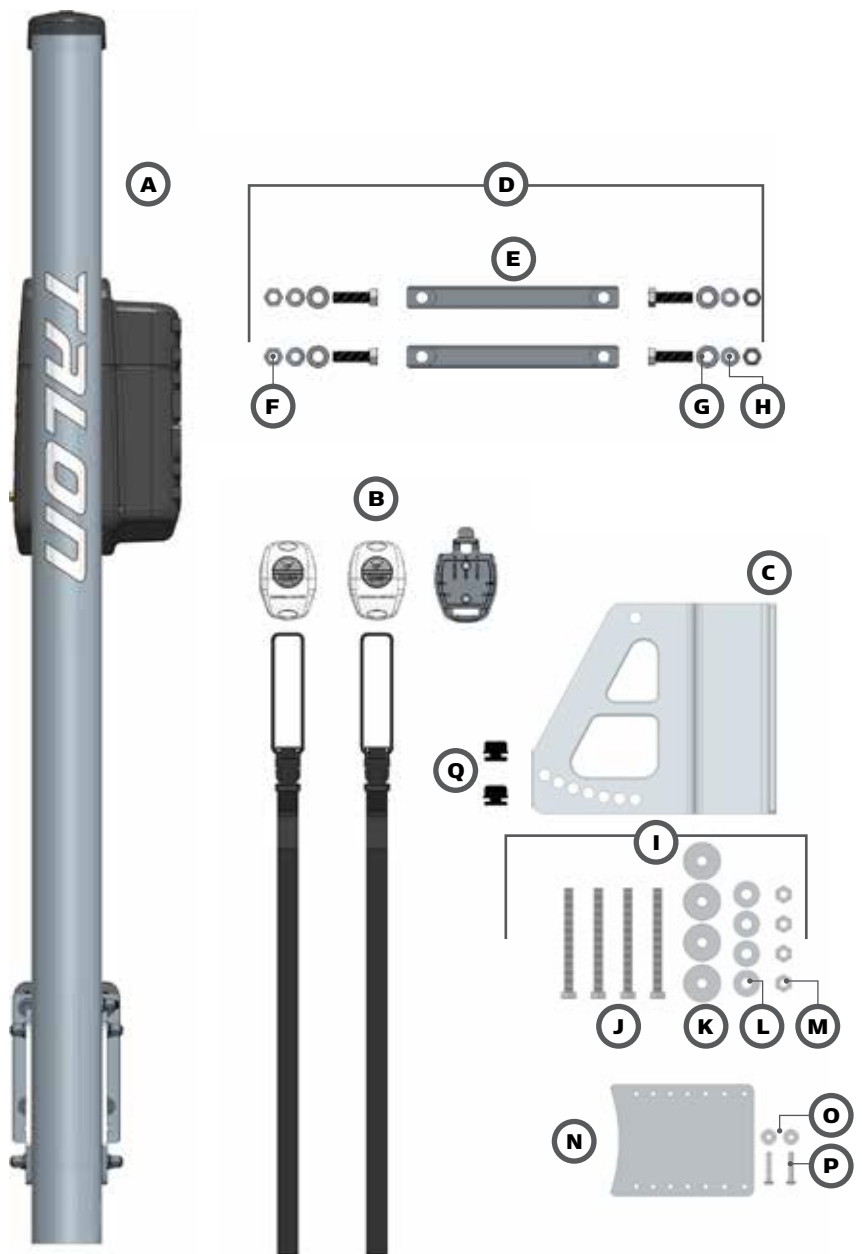
GETTING STARTED

PARTS INCLUDED

Your new 12' or 10' Talon comes out of the box with everything you'll need for direct-to-transom mounting. If you have an irregular shaped transom that cannot accept a direct-to-transom mount, please go to minnkotamotors.com for details on our universal mounting brackets, and to locate your closest dealer. Otherwise, please take a moment to review the parts list below, and tools needed for installation prior to getting started.

PARTS LIST

- A. (1) Anchor Assembly
(includes Power Cable and
30A Resettable Fuse Assembly)
- B. (2) Remote Control Assemblies
(includes two (2) lanyards and
one (1) dash mount remote holder)
- C. (1) Mounting Bracket
- D. Mounting Bracket to
Anchor Hardware
- E. (2) Bracket Straps
- F. (4) 3/8"-24 Nylock Nuts
- G. (4) 3/8" Flat Washers
- H. (4) 3/8" Lock Washers
- I. Mounting Bracket
to Transom Hardware
- J. (4) 5/16" x 3.5" Bolts
- K. (4) 5/16" Fender Washers
- L. (4) 5/16" Plain Washers
- M. (4) 5/16" Lock Nuts
- N. Water Shield
- O. (2) #8 SS Flat Washers
- P. (2) #8-18 x 5/8" Screws
- Q. (2) Cord Retainers



MOUNTING OPTIONS

The following two options can be used to mount your Talon:

1. Direct Transom Mount (recommended)
2. Optional Adapter Plate. If you're not mounting Talon directly to the transom, you'll need one of our adapter plates to offset the unit from the back of the boat. For more information on adapter plate applications and purchasing, visit minnkotamotors.com.

Your Talon comes complete with all the necessary hardware to mount directly to the transom/stern.

TOOLS REQUIRED

- Drill
 - 5/16" Drill Bit
 - 1/2" and 9/16" box end wrench or socket wrench
 - 3M Marine Adhesive Sealant 5200 (recommended for direct mount installations) or Marine Grade Adhesive Sealant
 - Wire ties for cable routing
- 4' straight edge or level
 - Tape measure
 - Torque wrench (up to 30'/lb capacity recommended to set vertical adjustment bolt tension)

STEP 1

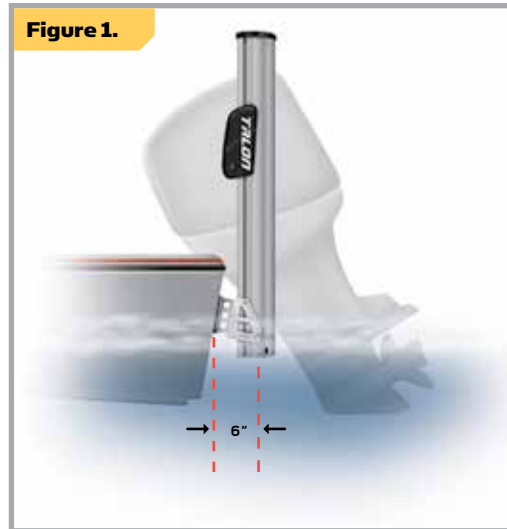
DETERMINING A MOUNTING LOCATION

Talon must have a clear, unobstructed path to deploy. The Talon mounting bracket included with your unit will allow for approximately 6" of clearance from the transom to the front edge of the deploying anchor (Figure 1).

NOTE: The Talon mounting bracket can be mounted directly to the transom (recommended) or to an adapter plate when direct transom mounting is not possible due to obstructions or irregular-shaped transoms. For more information on universal adapter brackets and other Minn Kota® Talon accessories, please visit minnkotamotors.com.

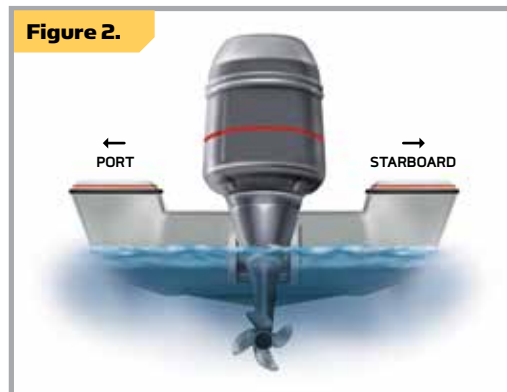
NOTE: Check to make sure that your proposed location will allow the anchor to deploy without hitting trim tabs, poling platforms, ladders, engine or other obstructions.

NOTE: When selecting the Talon mounting bracket mounting location, examine your boat to ensure that you will not drill into any obstructions and that the hardware will be accessible for assembly.



PORT (LEFT) OR STARBOARD (RIGHT) SIDE MOUNTING

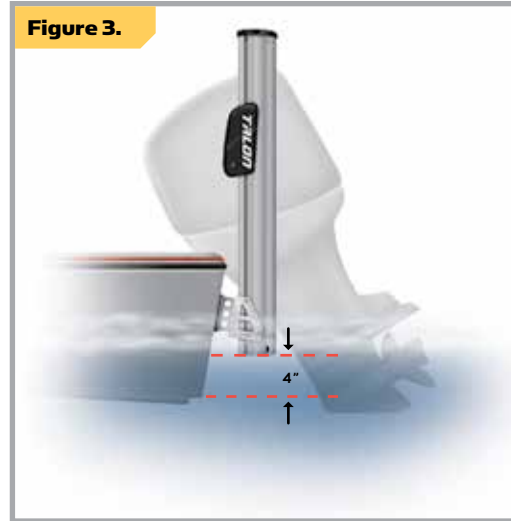
Talon is designed to mount on either the port or starboard side of the transom. You should consider your fishing methods when selecting the mounting location (Figure 2).



PLACEMENT OF THE TALON MOUNTING BRACKET

When mounting the Talon mounting bracket directly to the transom, Minn Kota suggests installing the mounting bracket in the highest possible location. This will provide the most clearance, and the greatest amount of vertical and angular adjustability. The bottom edge of the Talon should never be less than 4" above the bottom line of the hull to prevent spray and drag conditions (Figure 3).

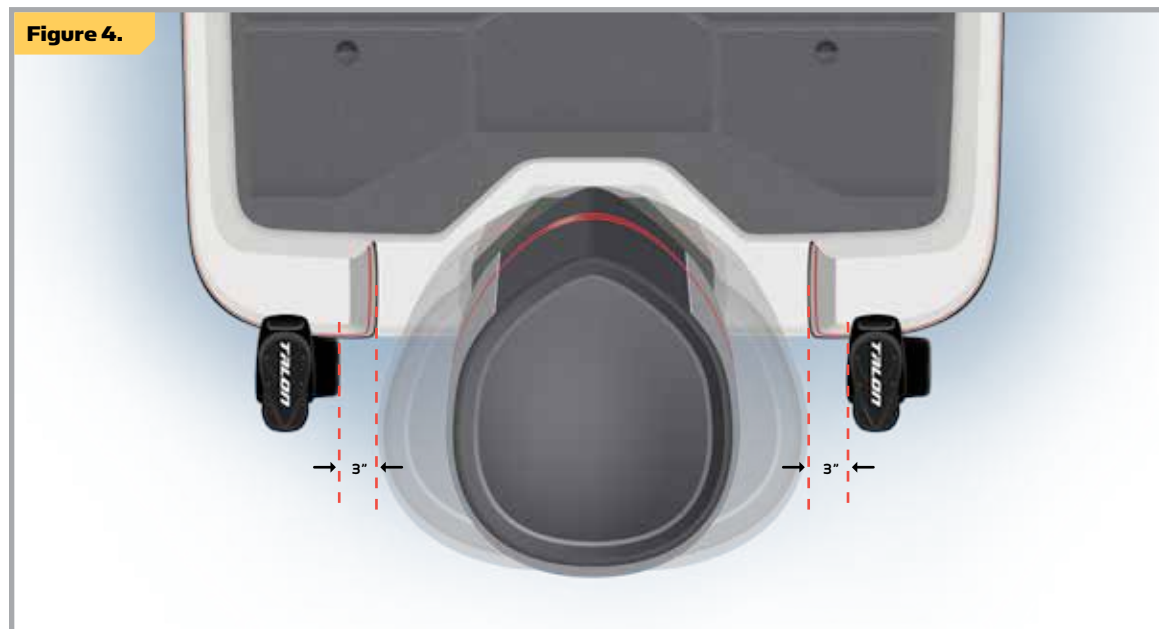
NOTE: All bass boats should mount Talon as flush with the bottom of the Talon mounting bracket as possible to mitigate spray while underway.



ENGINE REVIEW

When selecting a mounting location make sure that no interference exists between the Talon and your engine during normal operation. Once you have selected your mounting location, trim the engine all the way up and all the way down, and steer the engine fully to the side selected. Ensure there is two to three inches of clearance from any point on the Talon.

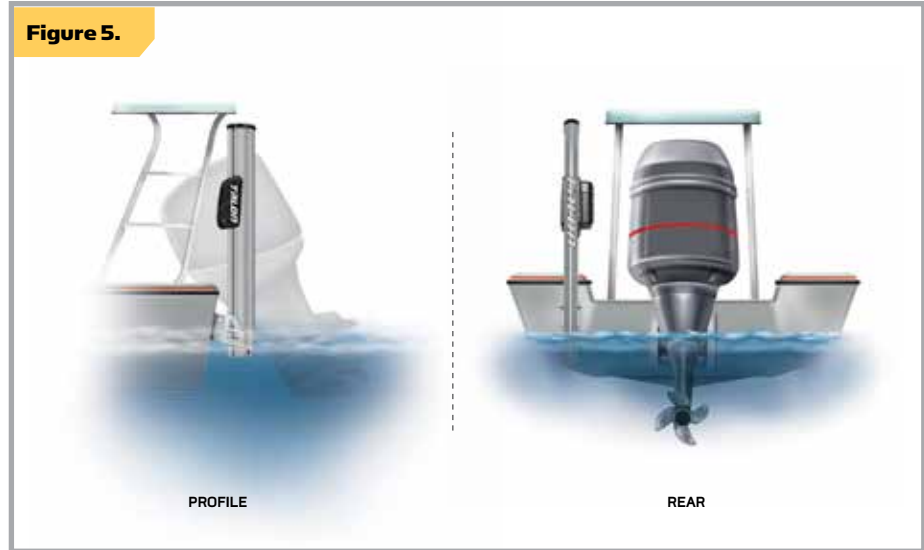
The mounting bracket can be mounted at an angle if additional clearance is needed (Figure 4).



PLATFORM REVIEW

There are many brands and types of poling platforms available. When choosing a mounting location make sure the platform will not interfere with operation of the Talon (Figure 5).

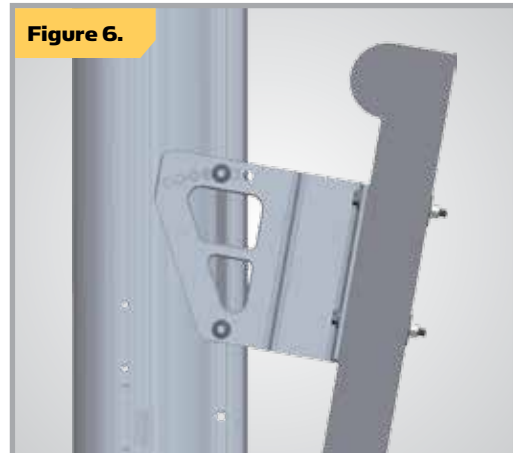
Figure 5.



REVERSE-TRANSOM ANGLE REVIEW

Some boats may be manufactured with a “reverse-transom angle.” In these cases, the Talon mounting bracket may be mounted upside-down as shown to compensate for the reverse angle (Figure 6).

Figure 6.



STEP 2

INSTALLING THE TALON MOUNTING BRACKET

If you have followed Step 1 carefully and you are installing the mounting bracket directly to the transom, you are now ready to drill holes. Please make one final check to ensure that you have met the requirements for each review and that your drill locations will not encounter any obstructions (lines, hoses, gas tank, etc).

TO INSTALL

1. Position the mounting bracket in your selected location and mark the mounting holes (Figure 7).
2. If using provided mounting hardware, use your $\frac{5}{16}$ " drill bit and carefully drill the marked holes ensuring the drill is perpendicular to the transom (Figure 8).
3. Apply a $\frac{1}{8}$ " bead of 3M 5200 Marine Adhesive Sealant around each of the four (4) drilled holes, as well as the perimeter of the mounting bracket (staying approximately $\frac{1}{2}$ " from the outside edge).
4. Attach the mounting bracket to the transom/ stern using the "mounting bracket to transom hardware" (J-M). DO NOT OVERTIGHTEN (Figure 9).

Figure 7.



Figure 8.



Figure 9.



STEP 3

ATTACHING THE TALON TO THE MOUNTING BRACKET

TO ATTACH

1. The Talon mounting bracket comes pre-assembled, ready to be installed. Once the mounting bracket is actually assembled to the transom (or universal adapter bracket), the mounting straps should be adjusted to orient them as perpendicular to where the waterline will be as possible.

Do this by first making sure the top two (2) locking nuts are loose to the point that the nuts are flush with the end of the bolts they are threaded onto. Next, remove the bottom two (2) locking nuts, lock washers and flat washers. The bottom of each mounting strap should tilt inward, allowing the two bottom bolts to slide out of the mounting bracket. You can now adjust the angle of the mounting straps to achieve proper orientation based on the angle of your transom.

2. To install the Talon assembly onto the mounting bracket, the Talon assembly has two (2) vertical tracks on either side of the outer column for vertical adjustment (Figure 11).

One vertical stop adjustment bolt is located on the starboard (right) side of the anchor assembly track. It is to be used above the mounting bracket as an operational position stop.

3. Carefully lift the anchor assembly onto the mounting bracket, aligning the tracks with the top of the bracket straps (Figure 12). Slide the anchor assembly down the tracks until the stop adjustment bolt comes in contact with the mounting bracket. Ensuring the stop adjustment bolt is loose enough to slide freely, lower the anchor assembly to not less than 4" above the bottom of the hull (Figure 12). Temporarily tighten the stop adjustment bolt.

4. The final adjustment can now be made to the anchor assembly.

NOTE: To make the final angle adjustment (Figure 10), you may have to disassemble the bottom portion of the mount assembly.

NOTE: Additional adjustments may need to be made after a trial run of the boat.

Figure 10.

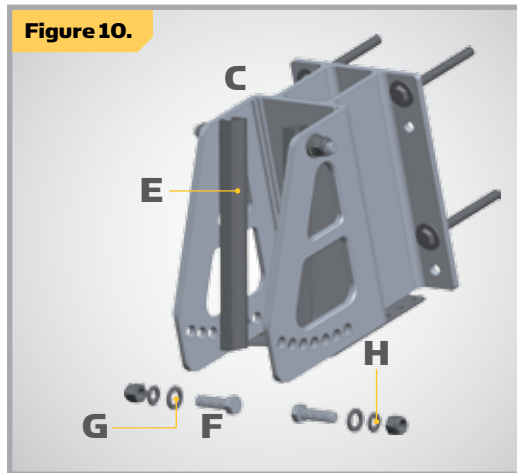


Figure 11.

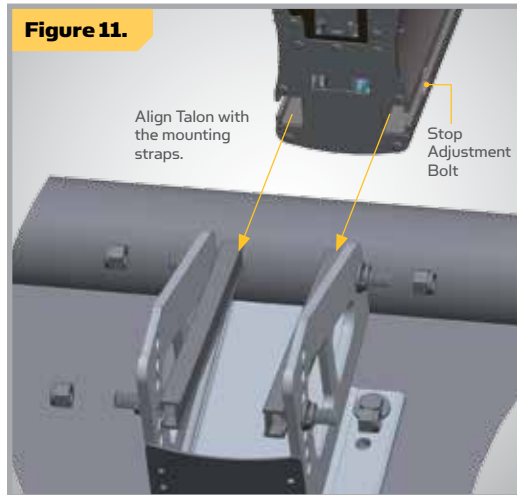
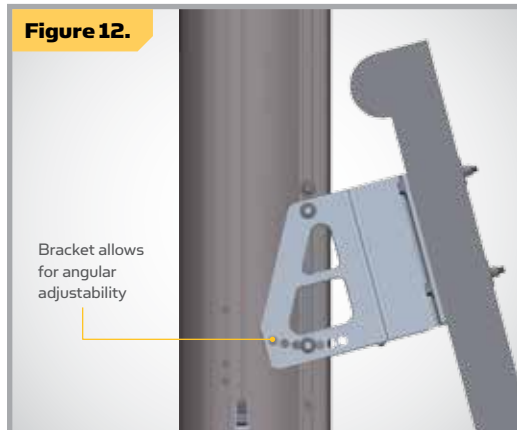


Figure 12.



STEP 3 – ATTACHING THE TALON TO THE MOUNTING BRACKET

5. Adjust the angular pitch of the Talon so the anchor is perpendicular with the horizon by removing the bottom two (2) mounting bolts from the bracket, adjusting the angle and then replacing the bottom two (2) mounting bolts in the appropriate angled hole (Figure 13).
6. Tighten the four (4) mounting bracket hardware (E–H) securely to the recommended torque of 30'/lb.
7. Ensure the stop nut is tightened securely.



STEP 4

CONNECTING AND ROUTING THE POWER CABLE AND DEPLOYMENT NOTIFICATION ALARM WIRE

The Talon power cable includes a 30A in-line resettable fuse and a deployment notification alarm (green wire). These wires can be routed in many ways depending on your boat type and starting battery location. Take time to familiarize yourself with the shortest and cleanest route from the Talon to your starting battery. We recommend routing the power cable along the gas outboard wire and cable harness assembly (Figure 14).

NOTE: Connecting the green deployment notification alarm wire is a requirement to comply with warranty requirements. If connected, your Talon will emit an alarm tone each time the ignition key is turned to the ON position and the Talon is deployed. If the unit is properly stowed, no tone will be emitted. Please see the wiring diagram on page 11 for further reference on connecting the deployment notification alarm wire.



TO CONNECT

1. If connecting to a battery selector/switch, turn it to the OFF position prior to connecting your power cable.

ABYC COMPLIANCE NOTE: For proper ABYC compliance, when the factory fuse assembly has been removed, the user must install a 30A fuse within 7" of the positive battery terminal.

2. Inspect the selected wire routing carefully to ensure there are no sharp edges, obstacles or obstructions that may damage the power cable. The cable harness boot may have a wire tie or clamp that will need to be opened to allow the power cable to pass through (Figure 15).
3. Carefully route the power cable through to the battery compartment.
4. Carefully remove any slack in the power cable so that it routes cleanly along the outboard wire and cable harness.
5. Connecting the deployment notification alarm: if connecting, the user must install a wire from the switched side of the 12V ignition power back to the green deployment notification alarm wire. This wire should be no smaller than 18AWG. Cut off the sealed end of the green wire and splice the green wire to the user installed wire. Make sure to



NOTE: The Talon does draw a small amount of residual current from the battery even when not in use. If the boat will not be used for more than 30 days, the power leads should be disconnected from the battery.

It is recommended the Talon be connected to the starting battery through a battery selector or power disconnect switch. This will disable power to the Talon when the master switch is OFF. If you are not using a battery selector/switch, the Talon may be connected directly to the starting battery.

STEP 4 – CONNECTING AND ROUTING THE POWER CABLE AND DEPLOYMENT NOTIFICATION ALARM WIRE

use adhesive-filled heat shrink to waterproof this splice. Verify that 12VDC is present at this splice when the key switch/ignition of the boat is in the ON position and that no voltage is present when the key switch/ignition of the boat is in the OFF position. When properly connected, this feature will sound an alarm only when the ignition key is turned on AND the Talon is not fully retracted.

6. Connect the white lead with red stripe of the power cable (with 30A in-line fuse) to the starting battery positive (+) (or battery selector switch positive). Connect the black lead of the power cable to the starting battery negative (-) (or battery selector switch negative).

NOTE: There may be other accessories or connections to the starting battery (battery selector switch). Make sure all connections are properly attached and secured.

7. Once the power cable has been routed to the power source, the remaining loose cable may be pushed inside the channel that runs vertically along the outside column. Included in your installation hardware are 2 black 1/4-turn cord retainers, designed to keep the cord in place inside the channel. Place the t-slot portion of the cord retainers into the slot and once properly positioned, use a pair of pliers to turn the cord retainer 90° to lock it into place (Figure 15b).

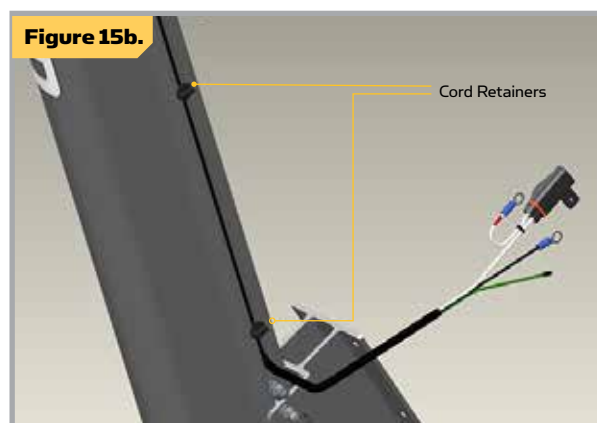
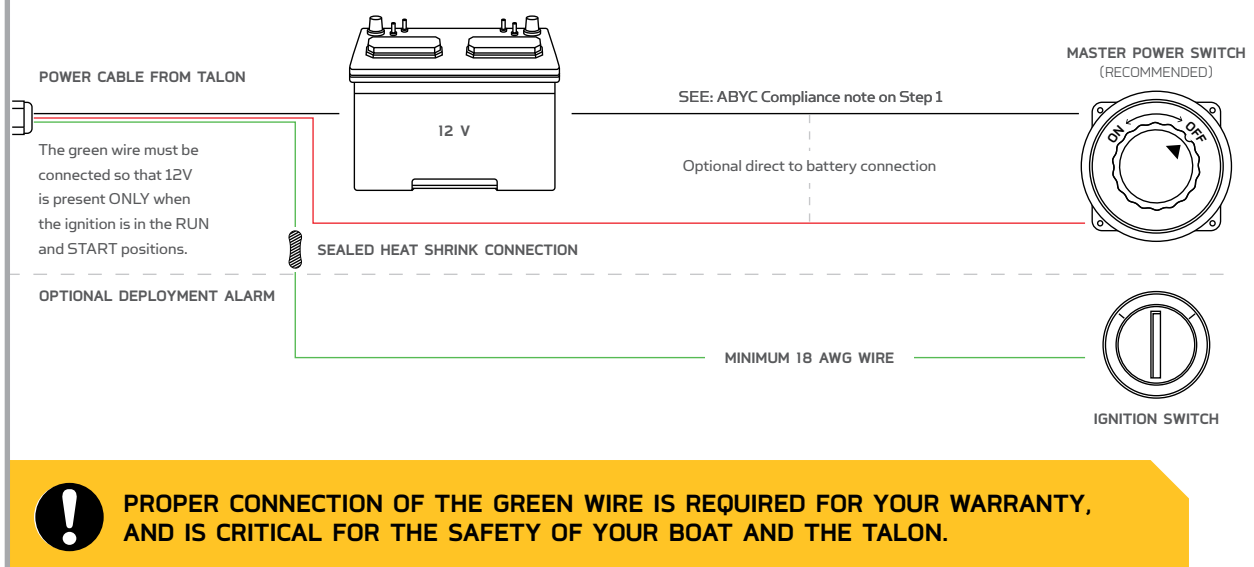


Figure 16. DETAILED WIRING DIAGRAM



STEP 5

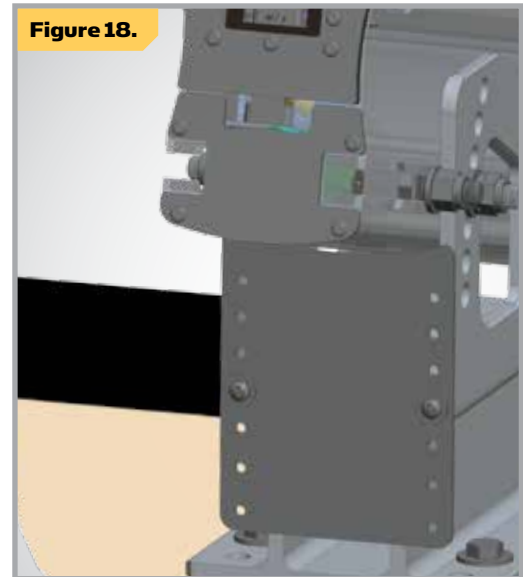
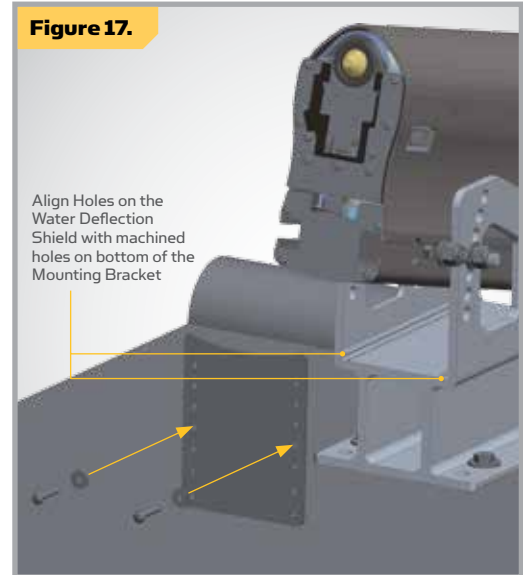
INSTALLING THE WATER DEFLECTION SHIELD

The water deflection shield is designed to be adjustable for how each installation is performed, as installations may vary from one boat to another. It is designed to prevent undesirable spray conditions.



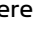
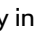



TO INSTALL

1. Once your Talon is installed onto the main mounting bracket (Figure 17), you will need the water deflection shield, two (2) (#8-18 x 5/8") mounting screws and two (2) washers.
2. Place the water deflection shield on the bottom surface of the mounting bracket, so that the formed profile of the water deflection shield is mated up against the inboard facing side of the extrusion (Figure 18).
3. Align the closest set of holes on the water deflection shield with the mating holes in the corners of the main mounting bracket, so that the water deflection shield has a slight downward curve to it (there should be no gap between the water deflection shield and the outer extrusion of the Talon).
4. Install the two (2) (#8-18 x 5/8") screws and two (2) washers through the water deflection shield, and into the corner holes of the main mounting bracket.

NOTE: If you adjust the angle of your Talon after step is complete, you will need to readjust the placement of the water deflection shield to ensure proper functionality.



VERIFYING INSTALLATION

1. Carefully inspect the area around the Talon for any obstructions that may interfere with deployment (for this test your Talon must be able to deploy and make contact with the ground without hitting any obstructions).
2. On the front control panel of the Talon are three (3) switches: Auto UP switch , Auto DOWN switch  and MODE toggle switch . Be sure the MODE switch is selected so there is no MODE LED illuminated.
3. If using a battery selector, or power disconnect switch, turn the selector switch to the “ON” position.
4. Standing clear of the Talon, push the Auto DOWN switch .
 - a. The Talon spike will begin to deploy.
 - b. When the spike comes in contact with the ground, the unit will automatically shut off. After the initial shut off, you will hear two (2) additional deploy cycles (or clicks), each 3-seconds apart from the initial ground contact.
 - c. The front panel will show that the Talon is in motion by flashing the LED that most closely represents its current depth of deployment. During this exercise, the top LED will be flashing.
 - d. If the above steps were successful, push the Auto UP switch . The unit will fully retract to the stowed position. The top LED will flash during retraction as well.
 - e. If the above steps were not successful, please see the trouble shooting guide at minnkotamotors.com.
 - f. To perform the same test using the remote instead of the buttons on the control panel, double click the remote DOWN button  to deploy, and single click the remote UP button  to retract.



FREQUENTLY ASKED QUESTIONS

TALON FEATURES

Q. Why do I want to be able to adjust the Talon up or down when mounting on my boat?

- A. Each boat sits differently in the water, and has varying amounts of draft (hull under the waterline). While Minn Kota recommends that the Talon mounting bracket be mounted as high up on the transom as possible, Minn Kota also recommends that the bottom of the Talon be a minimum of 4" up from the bottom line of the hull of your boat. Having this adjustability will minimize any spray that may occur while under way, and offer the greatest amount of stability to the Talon.

Q. When do I want to use the reverse angle on the bracket when mounting the Talon?

- A. Some boat models have transoms that angle towards the inside of the boat. In these cases, the Talon quick release bracket can be inverted to account for this reversed angle without the hassle of shims.

RIGGING

Q. Do I need a separate battery to operate the Talon?

- A. No. Minn Kota recommends connecting your Talon to the starting/cranking battery of your boat.

Q. Can I install an electrical plug on the Talon lead wires?

- A. Yes. Minn Kota offers a quick disconnect plug accessory specifically designed for the Talon.

Q. How do I determine where and how to mount the Talon?

- A. This will vary from one boat to the next. It is important to check for proper steering and trimming clearances when laying out your installation. See the Talon Installation Manual for detailed instructions.

Q. Which side of the boat do I want to install the Talon?

- A. Minn Kota recommends installing your Talon on the port (left) side of your boat in order to give you the maximum amount of clearance between the boat engine and the control panel of the Talon. However, the Talon can be installed on either side of the boat.

Q. How do I mount the Talon when I have trim tabs?

- A. Talon requires a minimum of 6" of clearance from the mounting surface. If further clearance is required, or it is necessary to mount over top of trim tabs, Minn Kota offers a 6" riser accessory and a variety of adapter plates that will give you the proper amount of setback (distance from the transom) to clear trim tabs and/or other accessories.

ADAPTER BRACKETS AND APPLICATIONS

Q. How do I know when I should use a mounting adapter bracket?

- A. Some boats have irregular-shaped transoms and the standard Talon quick release mounting bracket cannot be mounted directly to the transom. In other cases there are other accessories such as trim tabs, transducers, poling platforms, etc., that may require additional clearance. Use the Talon Adapter Bracket Selection Guide to select the proper application for your boat.

SHALLOW WATER ANCHOR

TALON



minnkotamotors.com

MINN KOTA CONSUMER
& TECHNICAL SERVICE.
P.O. Box 8129
Mankato, MN 56002

121 Power Drive
Mankato, MN 56001
Phone (800) 227-6433
Fax (800) 527-4464

