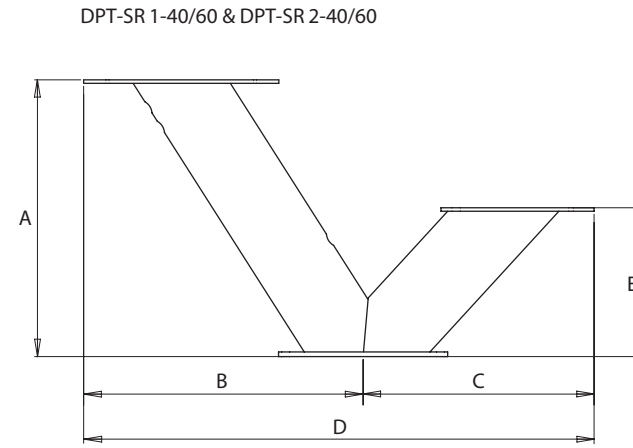
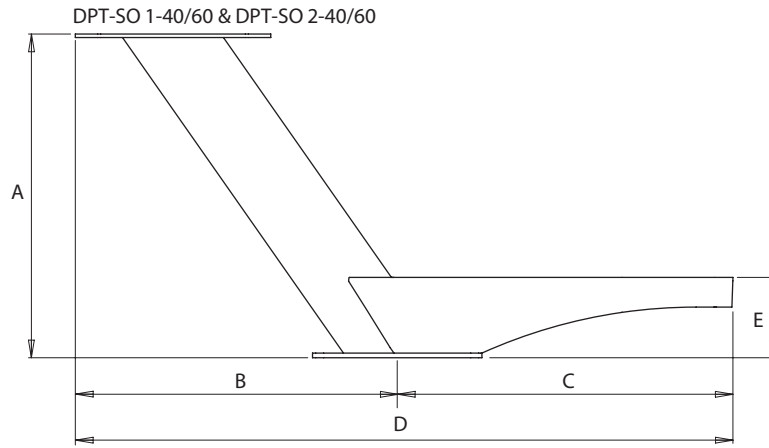


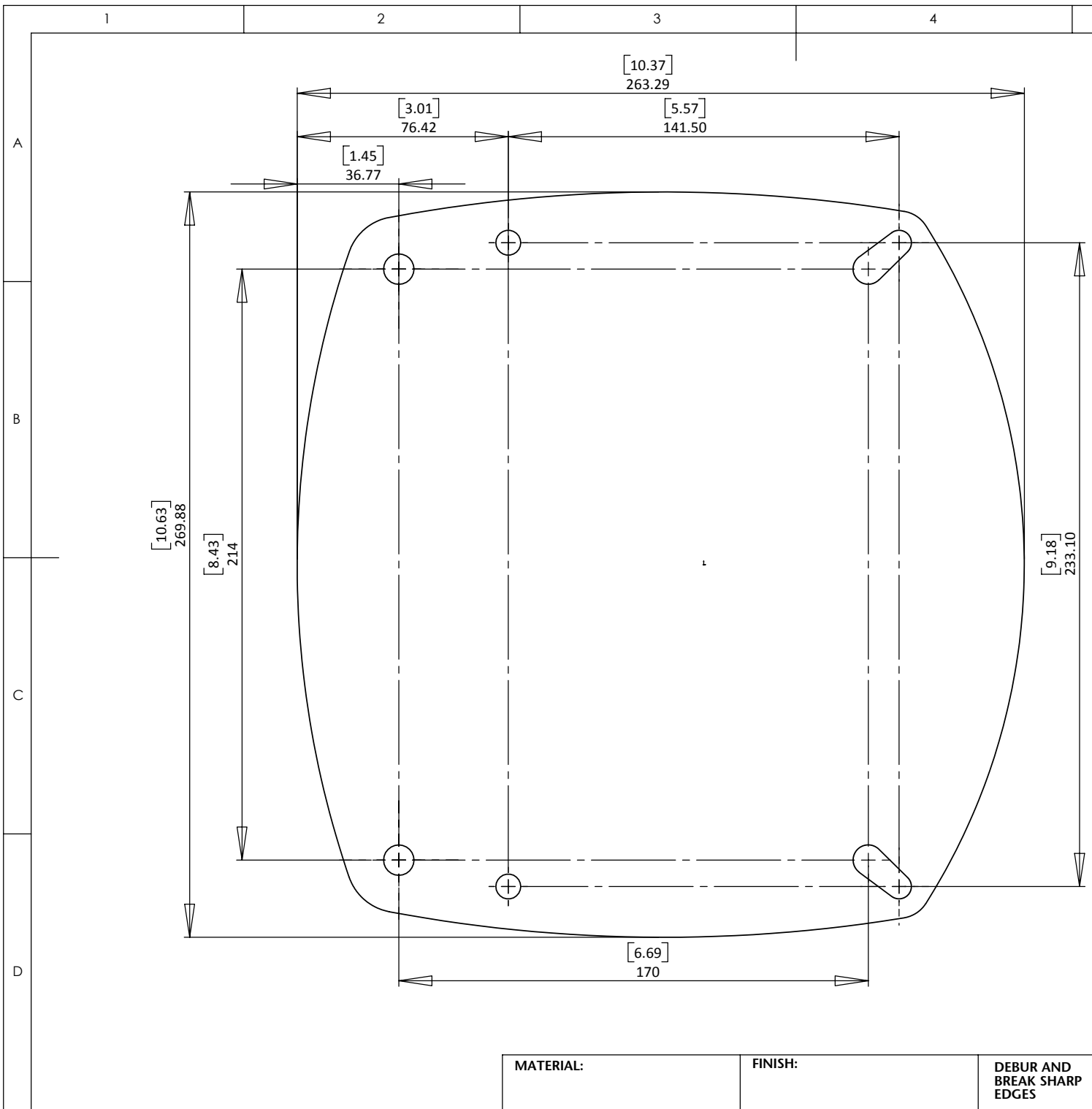
Dual PowerTower®

For help & information
 email: technical@scanstrut.com
 tel: +44 (0) 1803 863800



	A mm / inches	B mm / inches	C mm / inches	D mm / inches	E mm / inches	F mm / inches	G mm / inches
DPT-SR 1-40	476/18.7	480/18.9	576/22.7	878/34.6	256/10	291/11.5	230/9
DPT-SR 2-40	476/18.7	480/18.9	342/13.5	823/32.4	256/10	291/11.5	230/9
DPT-SO 1-40	556/21.9	555/21.9	582/22.9	1137/44.8	138/5.4	291/11.5	230/9
DPT-SO 2-40	556/21.9	557/22	697/27.4	1254/49.4	138/5.4	291/11.5	230/9
DPT-SR 1-60	518/20.4	560/22.1	397/15.6	957/37.7	256/10	291/11.5	230/9
DPT-SR 2-60	518/20.4	560/22.1	343/13.5	903/35.6	256/10	291/11.5	230/9
DPT-SO 1-60	608/24	640/25.2	582/22.9	1222/48.1	138/5.4	291/11.5	230/9
DPT-SO 2-60	608/24	640/25.2	697/27.4	1336/52.6	138/5.4	291/11.5	230/9





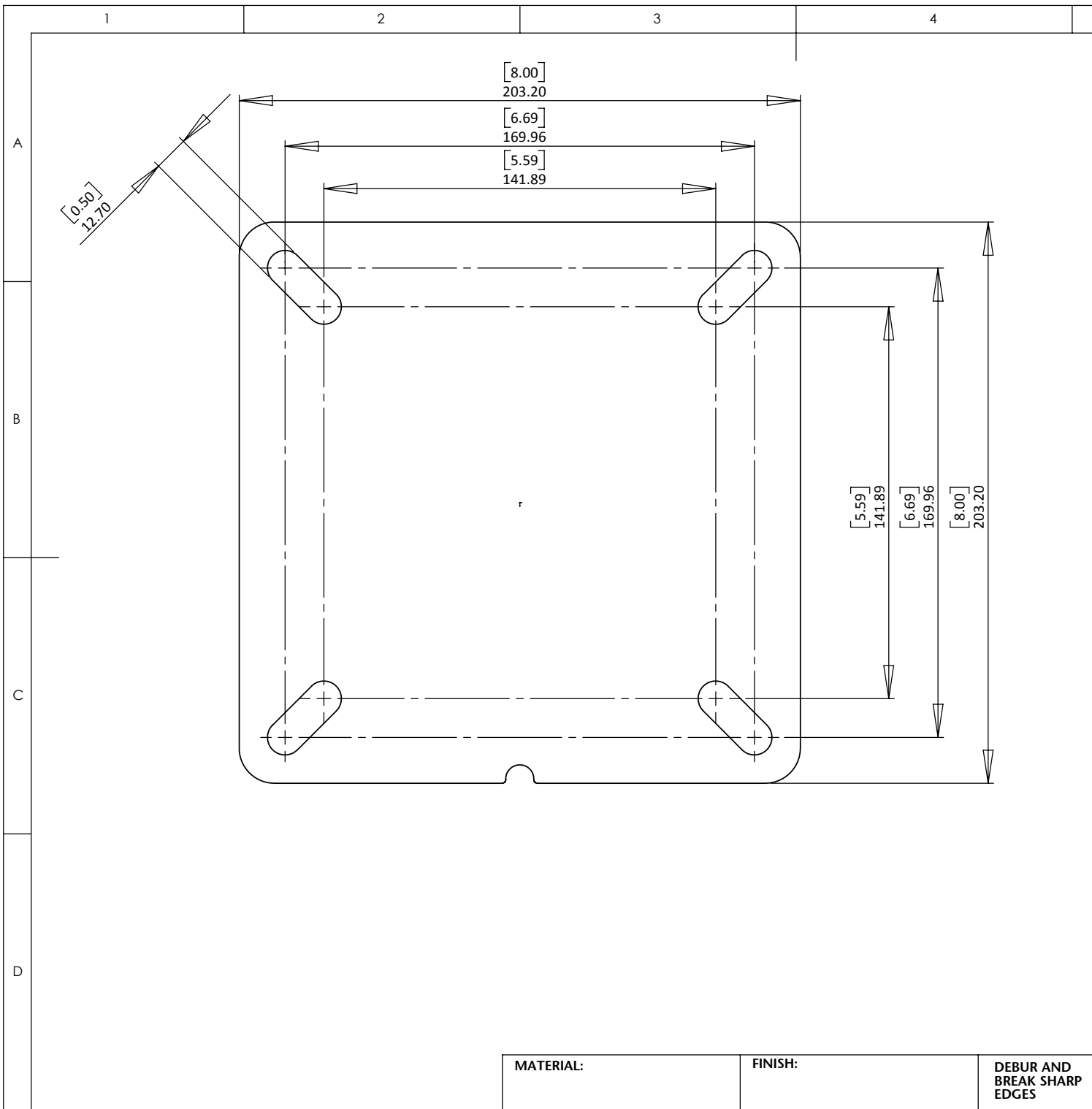
ZONE REV.		REVISIONS DESCRIPTION	DATE	APPROVED

PLEASE NOTE:
ALL COMPOSITE POWERTOWERS ARE NOT PRE-DRILLED

SCANSTRUT
DESIGN COPYRIGHT OF SCANSTRUT LTD

SCALE:1:2	A4	DO NOT SCALE DRAWING
UNLESS OTHERWISE SPECIFIED: DIMENSIONS ARE IN MILLIMETERS		GENERAL TOLERANCES: ±0.1 UNLESS OTHERWISE STATED. IF IN DOUBT PLEASE ASK
TITLE:		-1 Radar Mount Plate
PART NO.	REVISION	
DRAWN JF	DATE	
SHEET 1 OF 2		

MATERIAL:	FINISH:	DEBUR AND BREAK SHARP EDGES
-----------	---------	-----------------------------

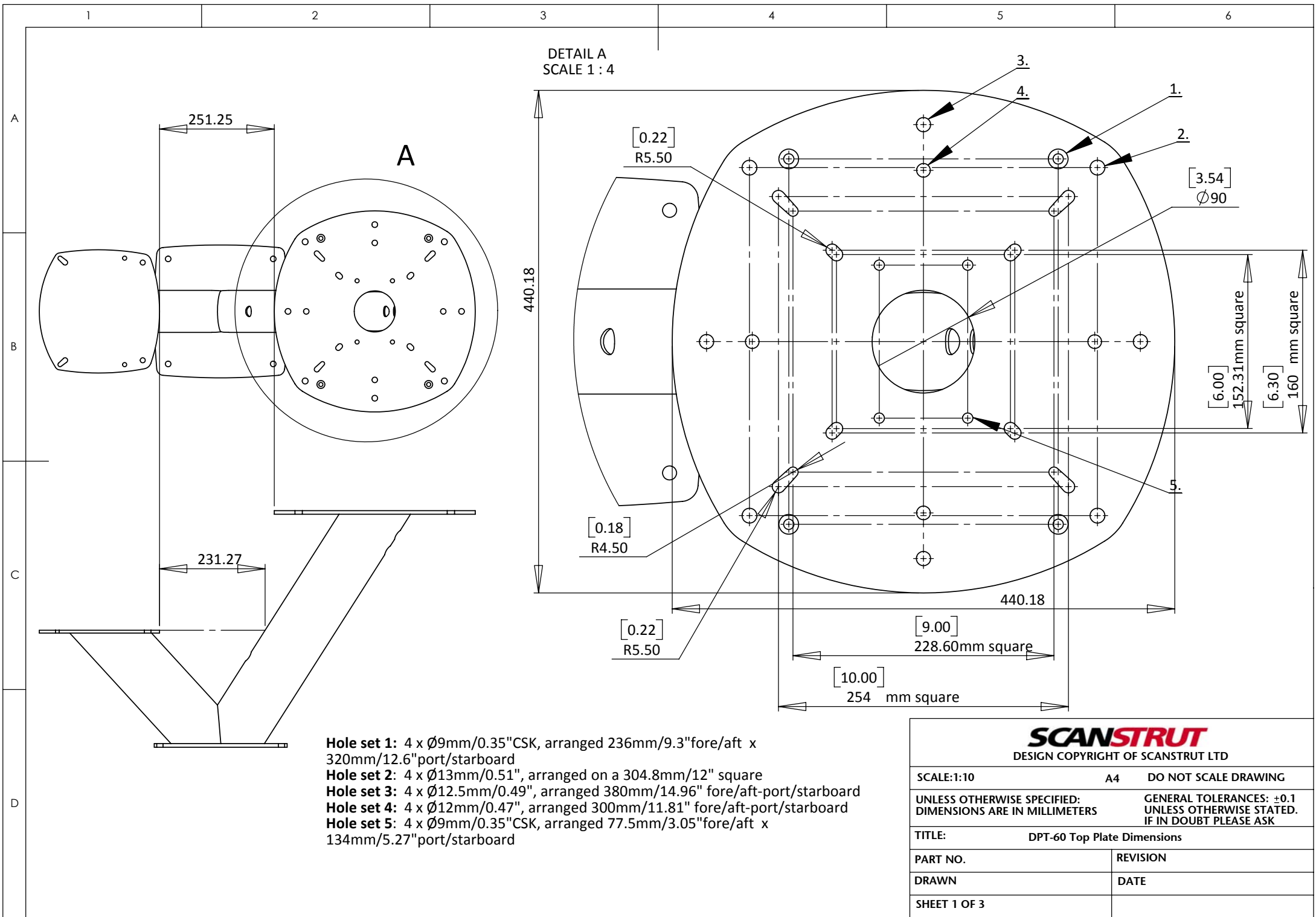


REVISIONS		DATE	APPROVED
ZONE	REV.	DESCRIPTION	

PLEASE NOTE:
ALL COMPOSITE POWERTOWERS ARE NOT PRE-DRILLED

SCANSTRUT DESIGN COPYRIGHT OF SCANSTRUT LTD	
SCALE:1:2	A4 DO NOT SCALE DRAWING
UNLESS OTHERWISE SPECIFIED: DIMENSIONS ARE IN MILLIMETERS	GENERAL TOLERANCES: ±0.1 UNLESS OTHERWISE STATED. IF IN DOUBT PLEASE ASK
TITLE: -2 Radar Mount Plate	
PART NO.	REVISION
DRAWN	DATE
SHEET 2 OF 2	

MATERIAL:	FINISH:	DEBUR AND BREAK SHARP EDGES
-----------	---------	-----------------------------------

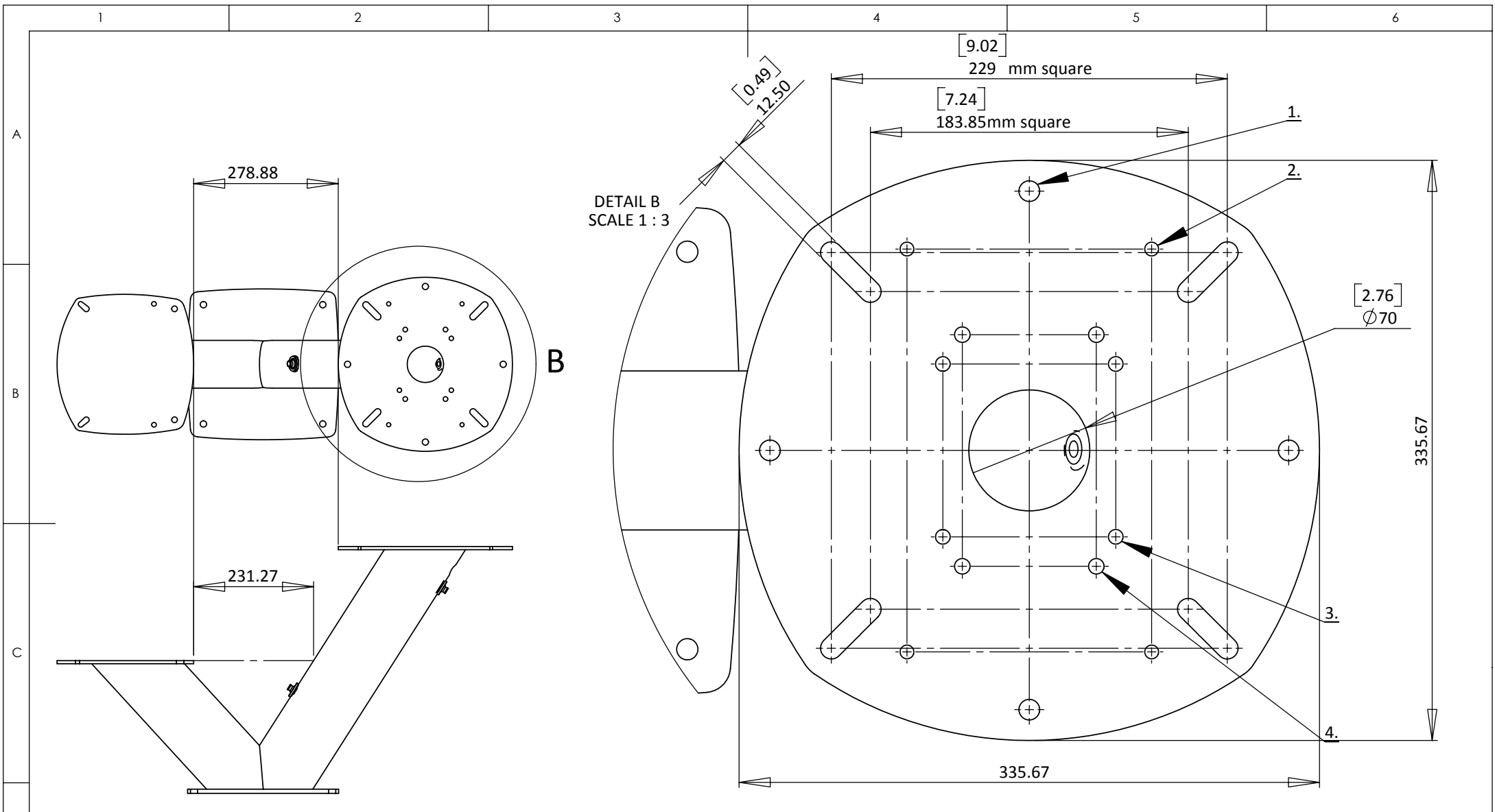


DETAIL A
SCALE 1 : 4

- Hole set 1:** 4 x Ø9mm/0.35"CSK, arranged 236mm/9.3"fore/aft x 320mm/12.6"port/starboard
- Hole set 2:** 4 x Ø13mm/0.51", arranged on a 304.8mm/12" square
- Hole set 3:** 4 x Ø12.5mm/0.49", arranged 380mm/14.96" fore/aft-port/starboard
- Hole set 4:** 4 x Ø12mm/0.47", arranged 300mm/11.81" fore/aft-port/starboard
- Hole set 5:** 4 x Ø9mm/0.35"CSK, arranged 77.5mm/3.05"fore/aft x 134mm/5.27"port/starboard

SCANSTRUT
DESIGN COPYRIGHT OF SCANSTRUT LTD

SCALE:1:10	A4	DO NOT SCALE DRAWING
UNLESS OTHERWISE SPECIFIED: DIMENSIONS ARE IN MILLIMETERS		GENERAL TOLERANCES: ±0.1 UNLESS OTHERWISE STATED. IF IN DOUBT PLEASE ASK
TITLE: DPT-60 Top Plate Dimensions		
PART NO.	REVISION	
DRAWN	DATE	
SHEET 1 OF 3		



- Hole set 1:** 4 x Ø12/0.47", arranged 300mm/11.81" fore/aft-port/starboard
- Hole set 2:** 4 x Ø8mm/0.31", arranged 141.5mm/5.57" fore/aft x 233.1mm/9.17" port/starboard
- Hole set 3:** 4 x Ø8.5/0.33", arranged 100mm/3.94" square
- Hole set 4:** 4 x Ø9mm/0.35", arranged 77.5mm/3.05" fore/aft x 134mm/5.28" port/starboard

SCANSTRUT DESIGN COPYRIGHT OF SCANSTRUT LTD		
SCALE:1:10	A4	DO NOT SCALE DRAWING
UNLESS OTHERWISE SPECIFIED: DIMENSIONS ARE IN MILLIMETERS		GENERAL TOLERANCES: ±0.1 UNLESS OTHERWISE STATED. IF IN DOUBT PLEASE ASK
TITLE: DPT-40 Top Plate Dimensions		
PART NO.	REVISION	
DRAWN	DATE	
SHEET 2 OF 3		