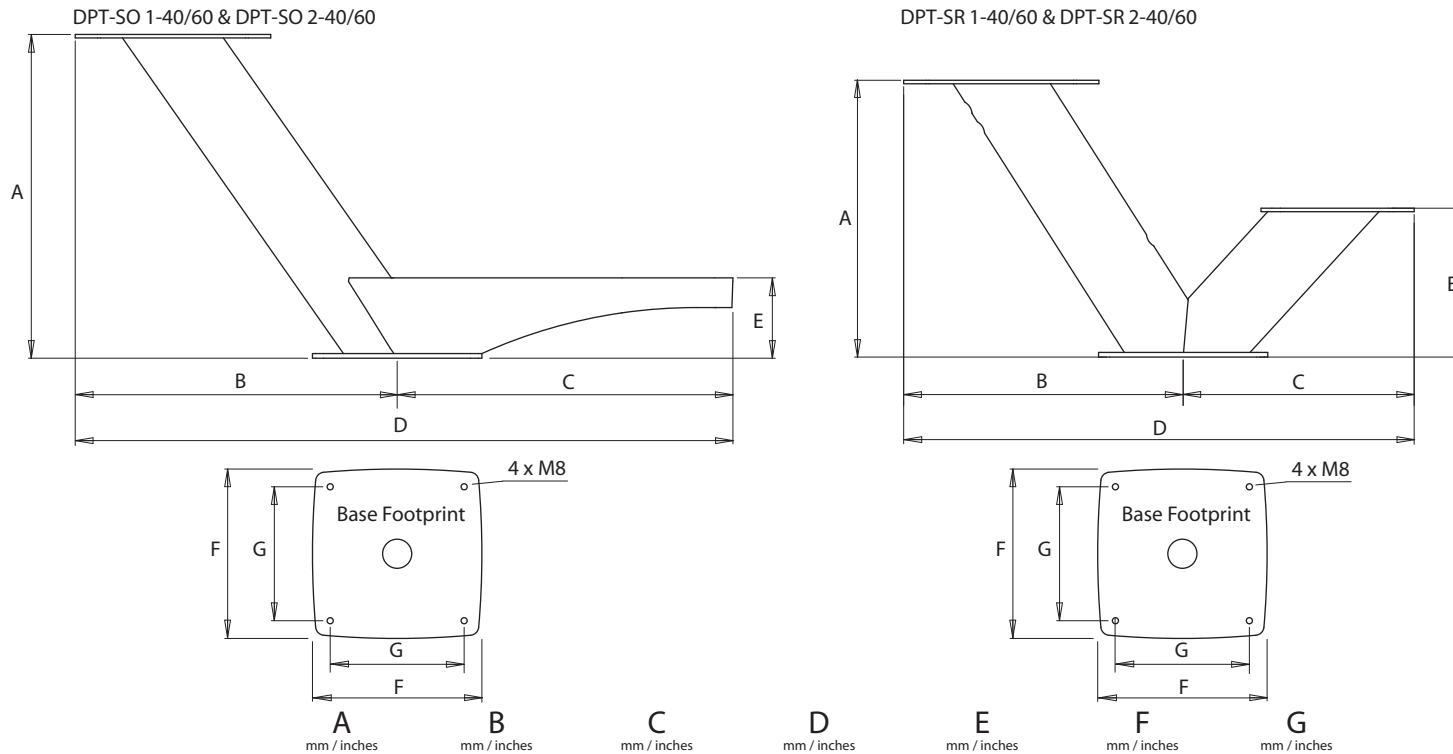


Dual PowerTower®

For help & information
 email: technical@scanstrut.com
 tel: +44 (0) 1803 863800



	A mm / inches	B mm / inches	C mm / inches	D mm / inches	E mm / inches	F mm / inches	G mm / inches
DPT-SR 1-40	476/18.7	487/19.2	397/15.6	884/34.8	256/10	291/11.5	230/9
DPT-SR 2-40	476/18.7	487/19.2	343/13.5	830/32.7	256/10	291/11.5	230/9
DPT-SO 1-40	556/21.9	561/22	582/22.9	1143/45	138/5.4	291/11.5	230/9
DPT-SO 2-40	556/21.9	561/22	696/27.4	1259/49.6	138/5.4	291/11.5	230/9
DPT-SR 1-60	518/20.4	560/22.1	397/15.6	957/37.7	256/10	291/11.5	230/9
DPT-SR 2-60	518/20.4	560/22.1	343/13.5	903/35.6	256/10	291/11.5	230/9
DPT-SO 1-60	608/24	640/25.2	582/22.9	1222/48.1	138/5.4	291/11.5	230/9
DPT-SO 2-60	608/24	640/25.2	697/27.4	1336/52.6	138/5.4	291/11.5	230/9

