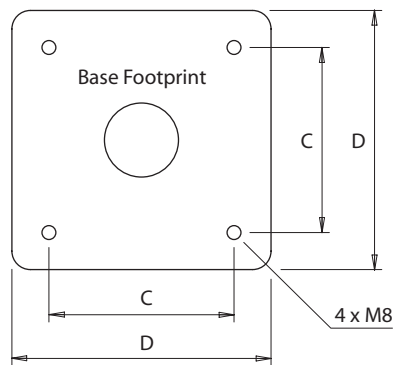
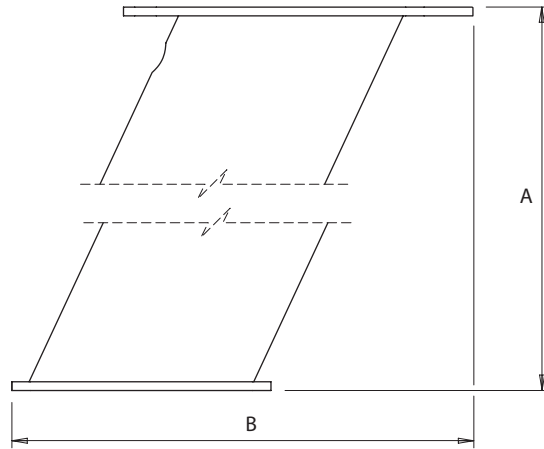


Aluminium PowerTower®

For help & information
 email: technical@scanstrut.com
 tel: +44 (0) 1803 863800



	A mm / inches	B mm / inches	C mm / inches	D mm / inches
APT19000	127/5	295/11.6	127/5	177/7
APT19001	254/10	355/14	127/5	177/7
APT5U	127/5	245/9.6	127/5	177/7
APT10U	254/10	303/12	127/5	177/7
APT52S	27/5	267/10.5	127/5	177/7
APT102S	254/10	326/12.8	127/5	177/7
APT6001	127/5	278/11	150/5.9	200/7.9
APT6002	127/5	290/11.4	150/5.9	200/7.9

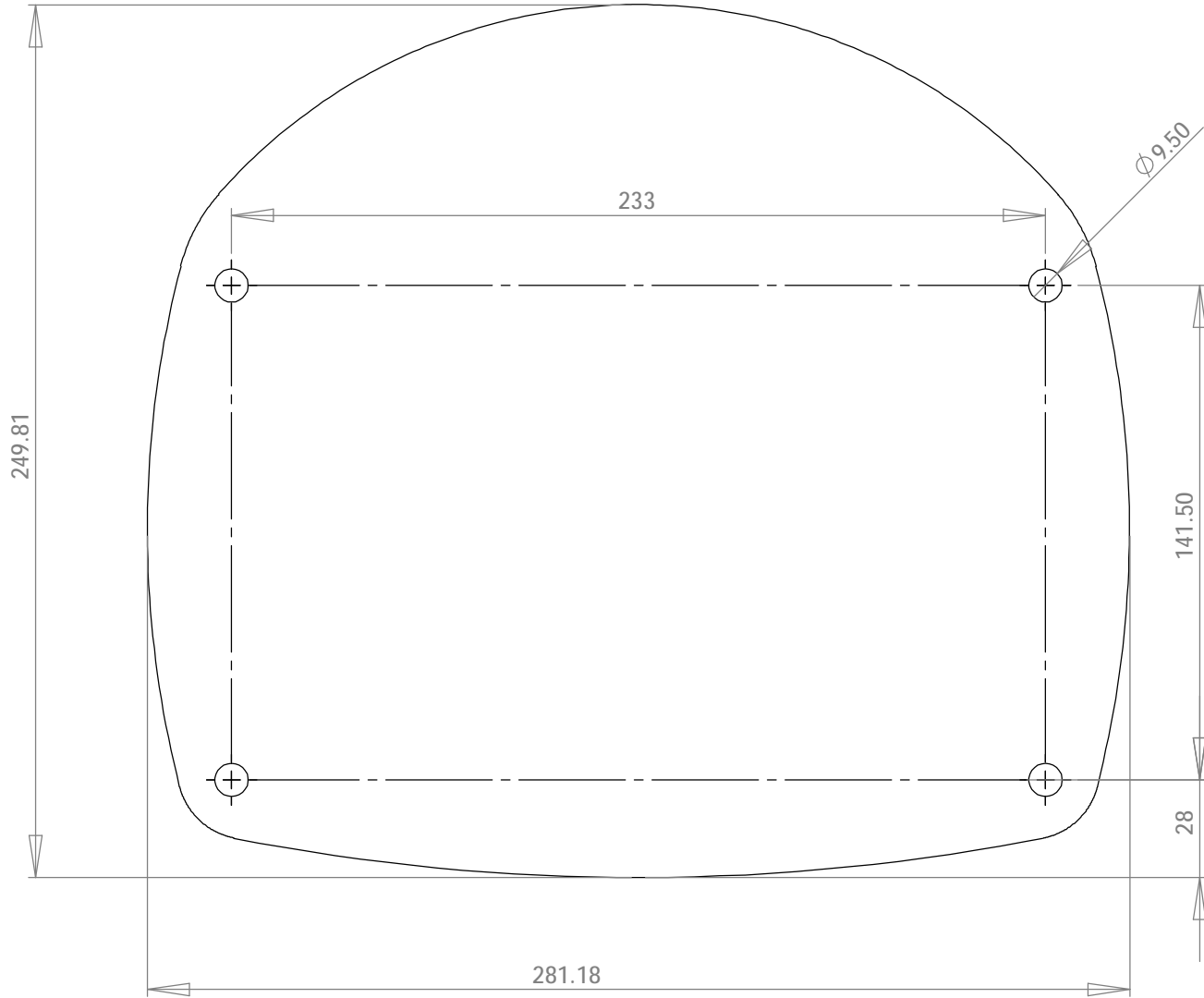
All APT's are 25° forwards leaning except APT6001 and APT 6002 which are 25° aft leaning



1 2 3 4 5 6

		REVISIONS	
ZONE	REV.	DESCRIPTION	DATE

A
B
C
D



SCANSTRUT

DESIGN COPYRIGHT OF SCANSTRUT LTD

SCALE:1:2 A4 DO NOT SCALE DRAWING

UNLESS OTHERWISE SPECIFIED: DIMENSIONS ARE IN MILLIMETERS
 GENERAL TOLERANCES: ± 0.1 UNLESS OTHERWISE STATED. IF IN DOUBT PLEASE ASK

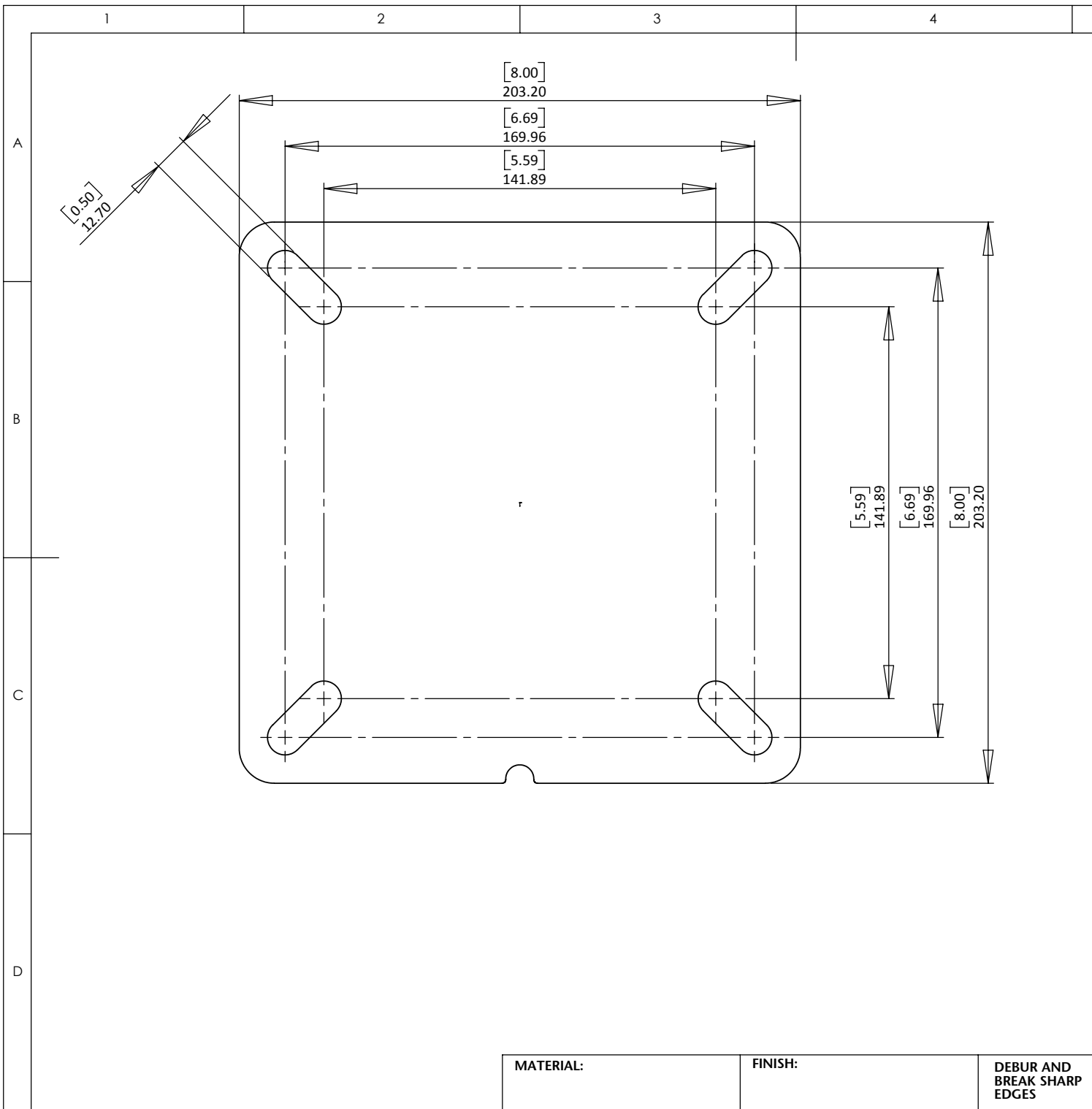
TITLE: -1 Radar Plate for Aluminium Power Tower only

PART NO. REVISION

DRAWN DATE

SHEET 1 OF 1

MATERIAL: FINISH: DEBUR AND BREAK SHARP EDGES



REVISIONS		DATE	APPROVED
ZONE	REV.	DESCRIPTION	

PLEASE NOTE:
ALL COMPOSITE POWERTOWERS ARE NOT PRE-DRILLED

SCANSTRUT DESIGN COPYRIGHT OF SCANSTRUT LTD	
SCALE:1:2	A4 DO NOT SCALE DRAWING
UNLESS OTHERWISE SPECIFIED: DIMENSIONS ARE IN MILLIMETERS	GENERAL TOLERANCES: ±0.1 UNLESS OTHERWISE STATED. IF IN DOUBT PLEASE ASK
TITLE: -2 Radar Mount Plate	
PART NO.	REVISION
DRAWN	DATE
SHEET 2 OF 2	

MATERIAL:	FINISH:	DEBUR AND BREAK SHARP EDGES
-----------	---------	-----------------------------------