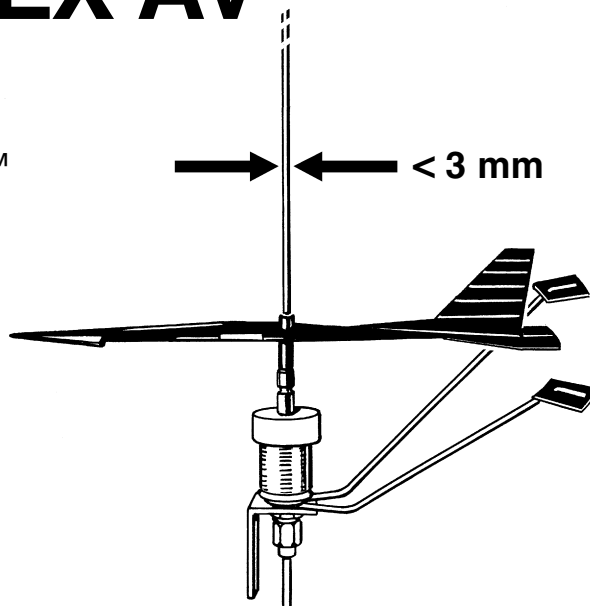


INSTALLATION INSTRUCTIONS

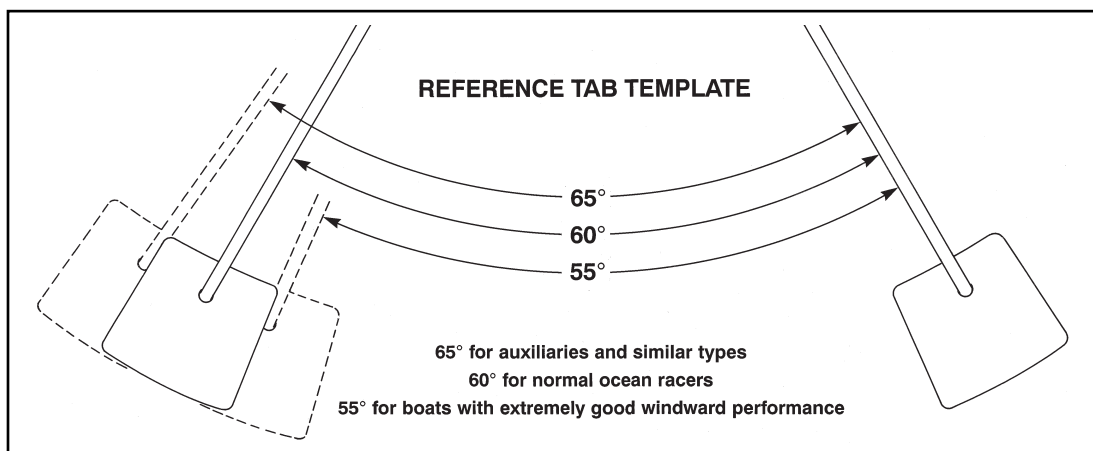
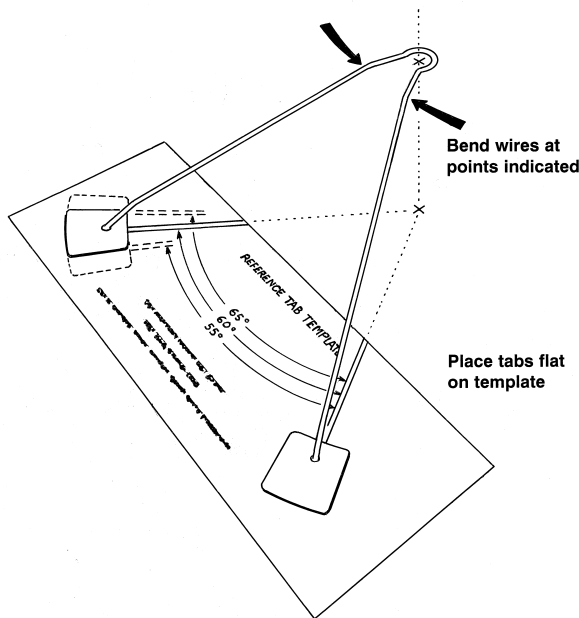
For mounting on Metz™ and Shakespeare™ Squatty Body® antennas.



For use with whip antennas only. Antenna diameter must be less than 1/8" (3 mm).



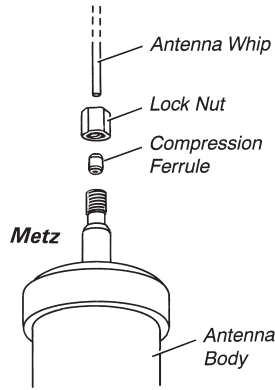
1 Adjust reference tabs. Bend the tab support wire to the proper angle using the reference tab template included in the packaging and reproduced here at half size. Tabs should be adjusted before ascending the mast.



2 Remove whip from antenna body.

Metz

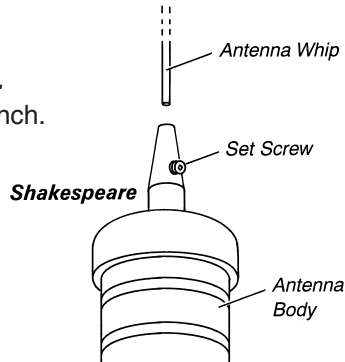
Loosen lock nut so that whip may be removed from antenna body. If you must unthread the nut all the way, be careful not to lose the tiny compression ferrule inside (see drawing).



Shakespeare

Models with removable whip...

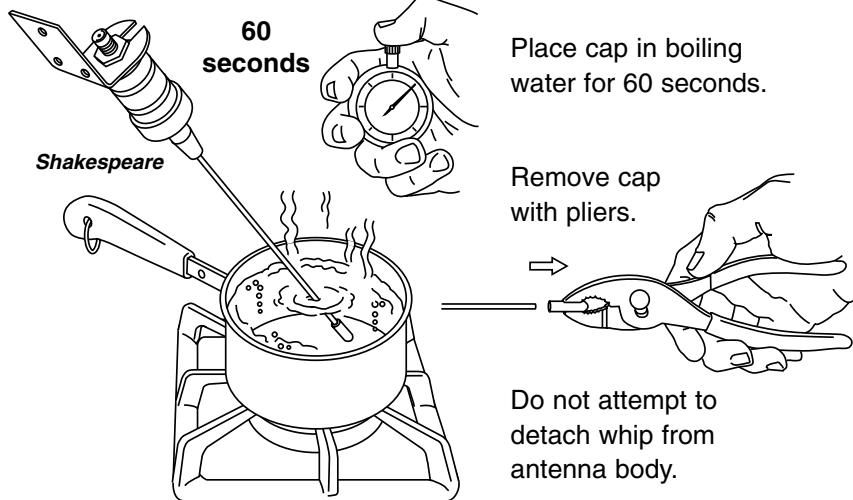
Loosen set screw with an Allen wrench.



– OR –

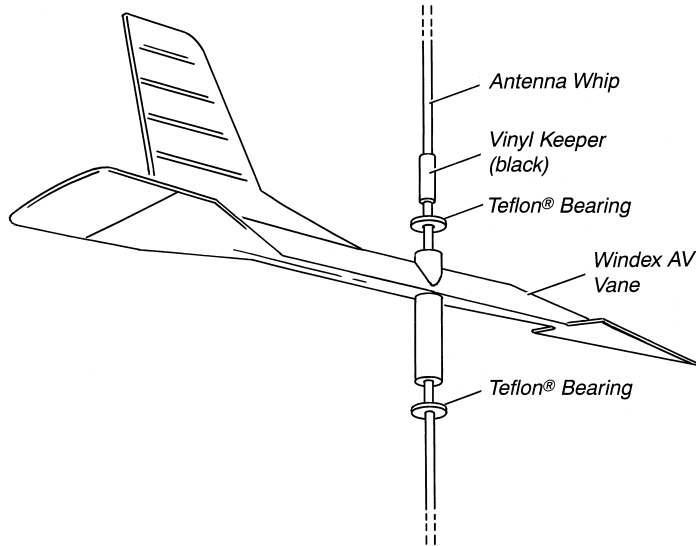
Shakespeare

Models with permanent whip...



3 Slide Windex AV vane components onto whip.

Install in the order shown:



4 If you removed the whip, reinsert it into the antenna body.

Tighten lock nut or set screw.

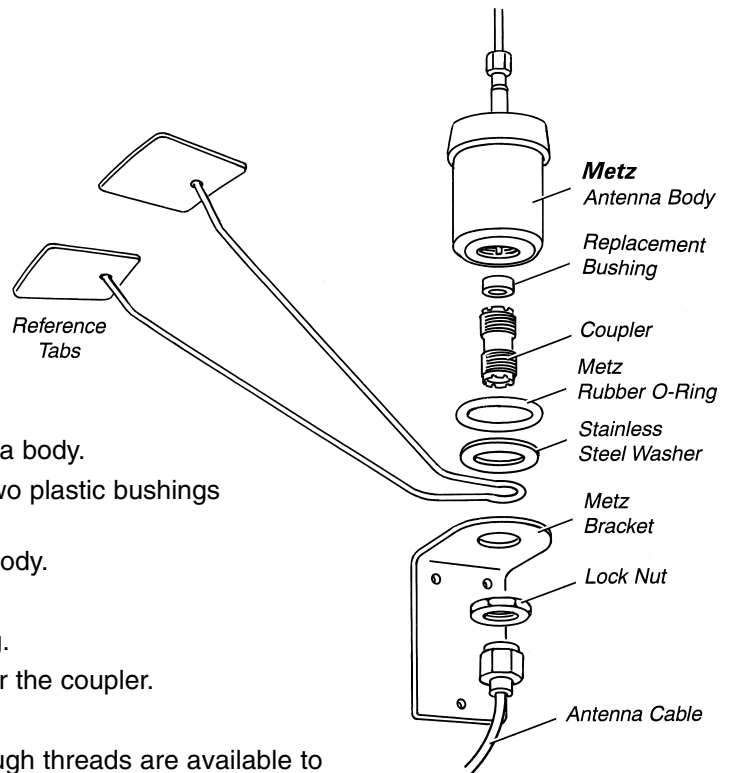
Slide vinyl keeper down so vane is held in place yet turns freely.

5 Final assembly.

Metz brand antenna:

Refer to drawing at right.

- Disconnect antenna cable.
- Remove lock nut.
- Unthread coupler from bottom of antenna body.
- Replace the Metz bushing with one of two plastic bushings supplied (try thicker bushing first).
- Thread coupler back onto the antenna body.
- Place Metz O-ring in position.
- Place stainless steel washer over O-ring.
- Slide the reference tab support wire over the coupler.
- Insert coupler into Metz bracket.
- Thread lock nut onto coupler. If not enough threads are available to secure lock nut, remove coupler and replace bushing with thinner bushing supplied. Repeat assembly.
- Position reference tab arms so they face aft, aligned with centerline of boat.
- Tighten lock nut.
- Reconnect antenna cable.

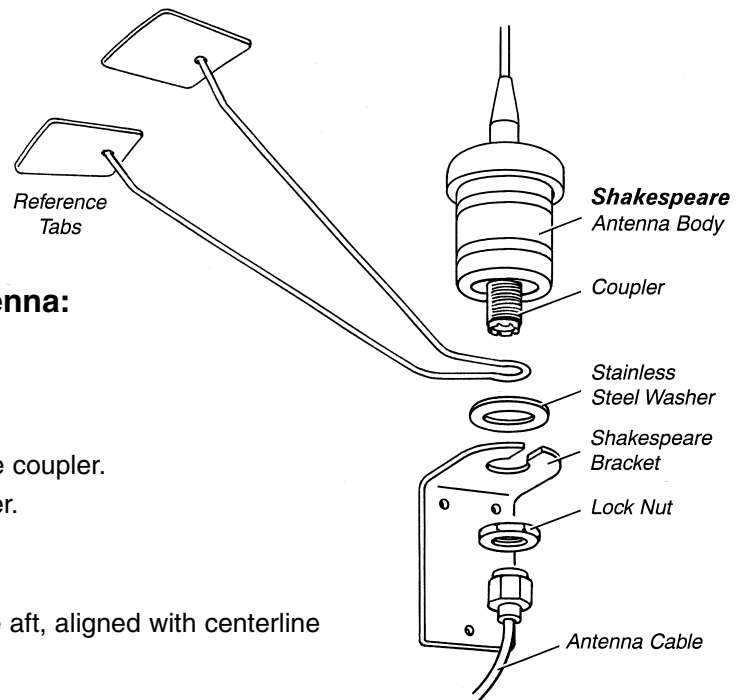


Final assembly.

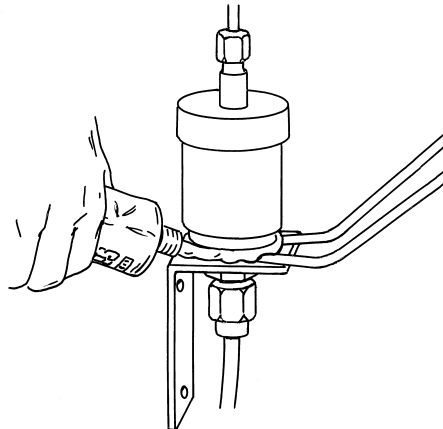
Shakespeare Squatty Body® antenna:

Refer to the drawing at right.

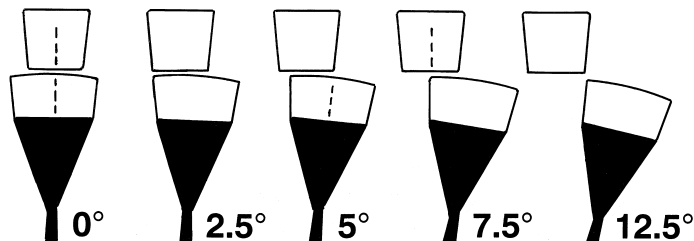
- Disconnect antenna cable.
- Remove lock nut.
- Slide reference tab support wire over the coupler.
- Place stainless steel washer onto coupler.
- Slide coupler into Shakespeare bracket.
- Thread lock nut onto coupler.
- Position reference tab arms so they face aft, aligned with centerline of boat.
- Tighten lock nut.
- Reconnect antenna cable.



- 6 Weatherproof coupler connection.** Squeeze a bead of silicone adhesive around the gap where the reference tab wire meets the bracket.



To read wind direction: Refer to the diagram below to gauge the apparent wind angle. Due to the sensitivity of the human eye to asymmetry, the Windex® type of display indicates a change in the wind angle as small as 1° within the 0–15° range.



Replacement Parts

Contact your dealer or Davis Instruments to order replacement parts.

3161 Spare Vane (w.o. hardware)

R3160A Stainless Reference Arm with Tabs

R3160B Vane Hardware (2 teflon washers, vane keeper, stainless washer)

Davis Instruments

3465 Diablo Avenue, Hayward, CA 94545, U.S.A.

Phone (510) 732-9229 • Fax (510) 732-9188

info@davisnet.com • www.davisnet.com