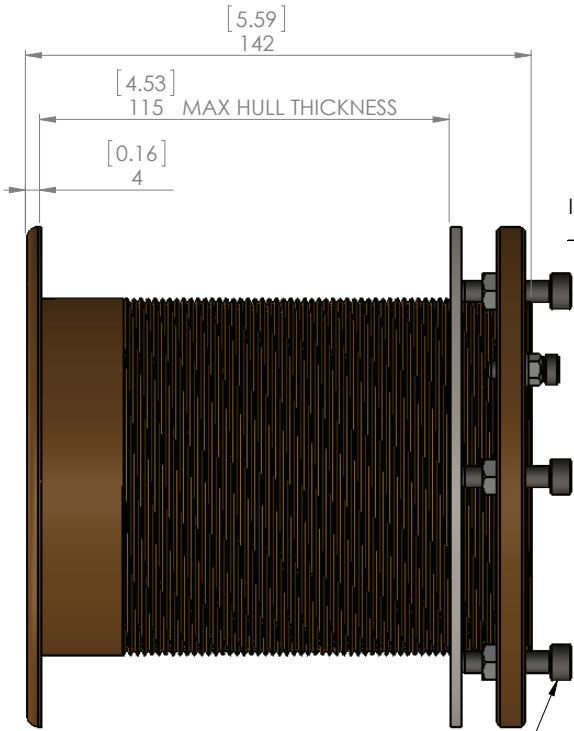


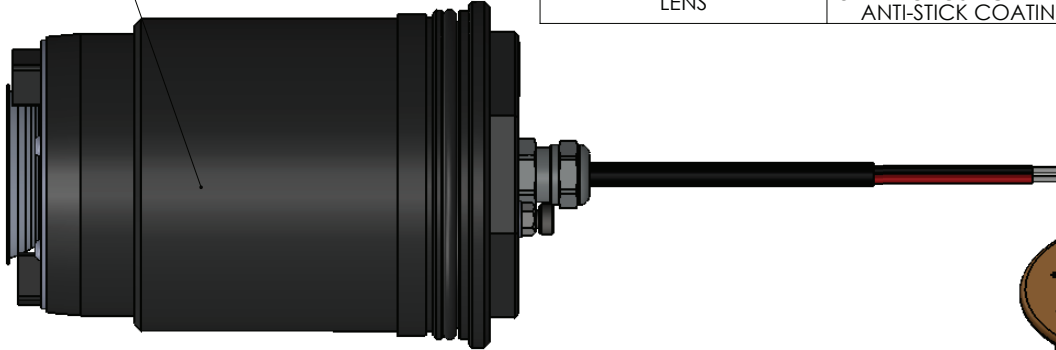
A B C D E F G H I J K

SPECIFICATIONS

	GREAT WHITE GW16	GREAT WHITE GW20
LUMENS	5600	9000
WATTAGE	90	122
NO. LEDs	16	20
I @ 12V	7.5	N/A
I @ 24V	3.8	5.1
BEAM ANGLE	65 DEG FWHM	65 DEG FWHM
LIGHT DIA	140mm, 5.5"	140mm, 5.5"
LIGHT HEAD HEIGHT	4mm, 0.16"	4mm, 0.16"
LIGHT OVERALL LENGTH	170mm, 6.69"	170mm, 6.69"
MOUNTING HOLES PCD	N/A	N/A
HULL CUTOFF DIA	101mm, 4"	101mm, 4"
LIGHT APERTURE	70mm, 2.76"	70mm, 2.6"
WEIGHT	5.2KG	5.2KG
LENS	8mm BOROSILICATE WITH ANTI-STICK COATING	8mm BOROSILICATE WITH ANTI-STICK COATING



INTERCHANGEABLE LIGHT ENGINE



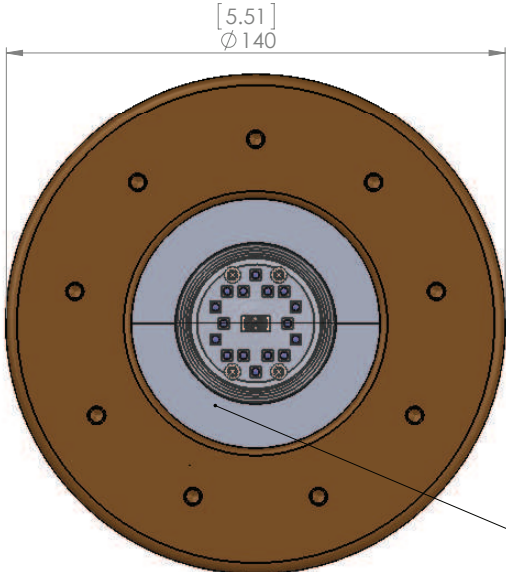
TIGHTEN M6 CLAMPING BOLTS SEQUENTIALLY AFTER CLAMPING TIGHTEN LOCKING NUTS

LIGHT ENGINE REMOVAL FEATURE. USE TOOL PROVIDED

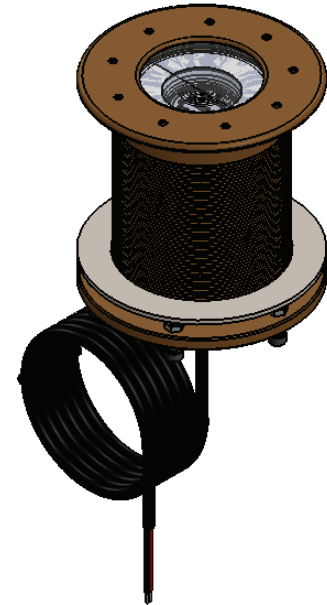
EARTH TAB

TIGHTEN MOUNTING BOLTS SEQUENTIALLY

EARTH TAB



LENS: 8mm BOROSILICATE WITH ANTI STICK COATING



ALL DIMENSIONS ARE IN MILLIMETERS  
 TOLERANCES ON CASTINGS, UNMACHINED PARTS AND FABRICATIONS, +/- 0.8  
 TOLERANCES ON MACHINED DIMENSIONS  
 WHOLE UNITS +/- 0.25  
 ONE DEC. PLACE +/- 0.1  
 TWO DEC. PLACE +/- 0.05  
 ANGLES +/- 0.5 DEG.

Iss	Rev	Status	Date	Change	Drawn	Chk'd	App'v'd
E00	A	REL	18/08/2014		DWL	DWL	DWL
E00	B	REL	22/10/2014	TABLE	DWL	DWL	DWL

Notes.

PPN.

THIRD ANGLE PROJECTION Sheet. 1 of 3 Scale. 1:1.5 A3

Description.	GREAT WHITE GW16 & GW20		
Material.			
Finish.			
DWG No.	Iss.	Rev.	Status.
<b>GAA-0105 Iss E00B</b>	<b>E00</b>	<b>B</b>	<b>RELEASED</b>