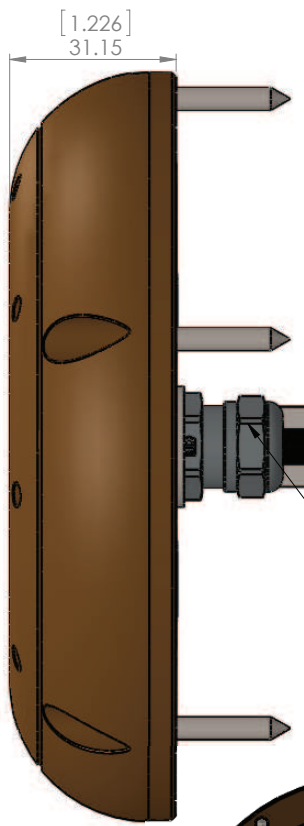
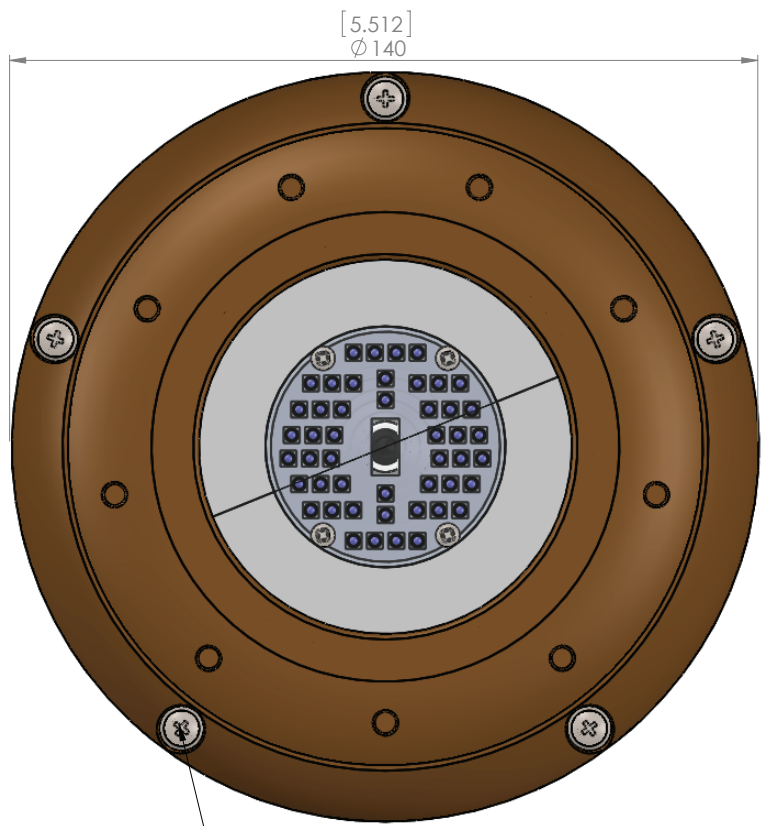
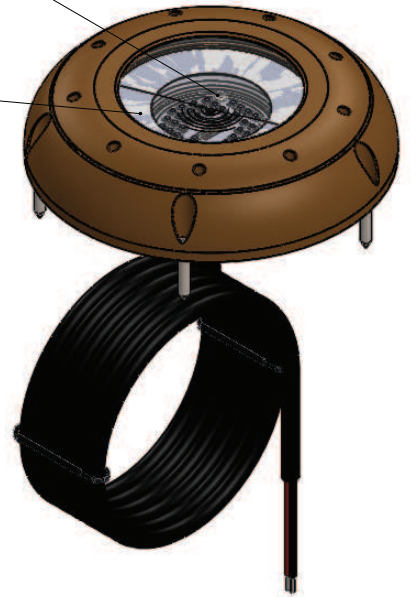
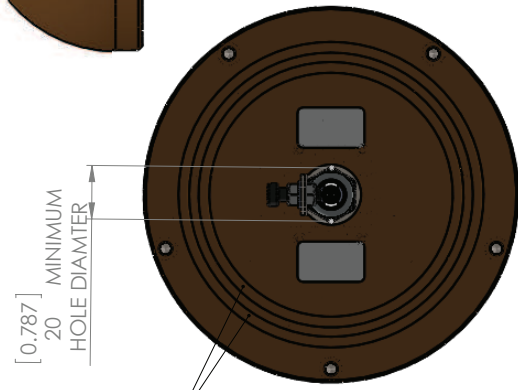
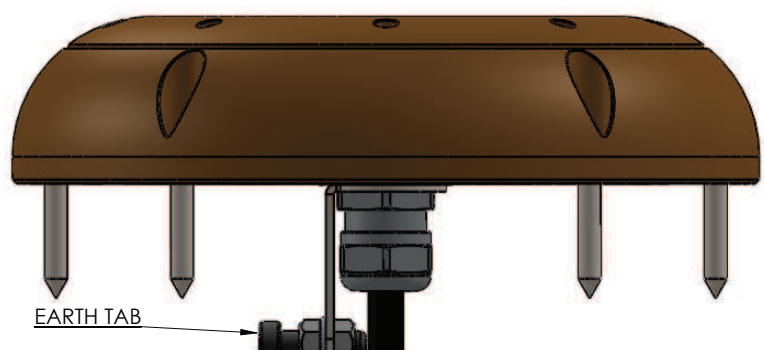


A B C D E F G H I J K



SPECIFICATIONS	
LUMENS	HAMMERHEAD H48 COLOUR CHANGE
WATTAGE	UP TO 10000
No. LEDs	155
I @ 12V	48
I @ 24V	N/A
BEAM ANGLE	60 DEG FWHM
LIGHT DIA	140mm, 5.5"
LIGHT HEAD HEIGHT	30.75mm, 1.2"
LIGHT OVERALL LENGTH	55mm, 2.16"
MOUNTING HOLES PCD	130mm, 5.12"
HULL CUTOUT DIA	25mm, 1"
LIGHT APERTURE	70mm, 2.76"
WEIGHT	2.3KG
LENS	8mm BOROSILICATE WITH ANTI-STICK COATING



© 2014 COASTLINE LED THIS DOCUMENT MUST NOT BE REPRODUCED IN WHOLE OR IN PART AND MUST NOT BE USED OR DISCLOSED WITHOUT THE WRITTEN AUTHORISATION OF COASTLINE LED. NO DEVIATION FROM THIS DRAWING IS PERMISSIBLE WITHOUT WRITTEN AUTHORISATION FROM COASTLINE LED.

Iss	Rev	Status	Date	Change	Drawn	Chk'd	Appv'd	Notes.
A00	A	REL	22/10/2014		DWL	DWL		

ALL DIMENSIONS ARE IN MILLIMETERS
TOLERANCES ON CASTINGS, UNMACHINED PARTS AND FABRICATIONS, +/- 0.8
TOLERANCES ON MACHINED DIMENSIONS
WHOLE UNITS +/- 0.25
ONE DEC. PLACE +/- 0.1
TWO DEC. PLACE +/- 0.05
ANGLES +/- 0.5 DEG.
ALL UNSPECIFIED CHAMFERS 1 x 45
BREAK ALL SHARP EDGES 0.1 TO 0.5

Iss	Rev	Status	Date	Change	Drawn	Chk'd	Appv'd	Notes.
A00	A	REL	22/10/2014		DWL	DWL		

THIRD ANGLE PROJECTION		Sheet.	Scale.	A3
		1 of 4	1:1	A3
Description. HAMMERHEAD H48				
Material.				
Finish.				
DWG No.	Iss.	Rev.	Status.	
GAA-0111 Iss A00A	A00	A	RELEASED	

8

8

PPN.