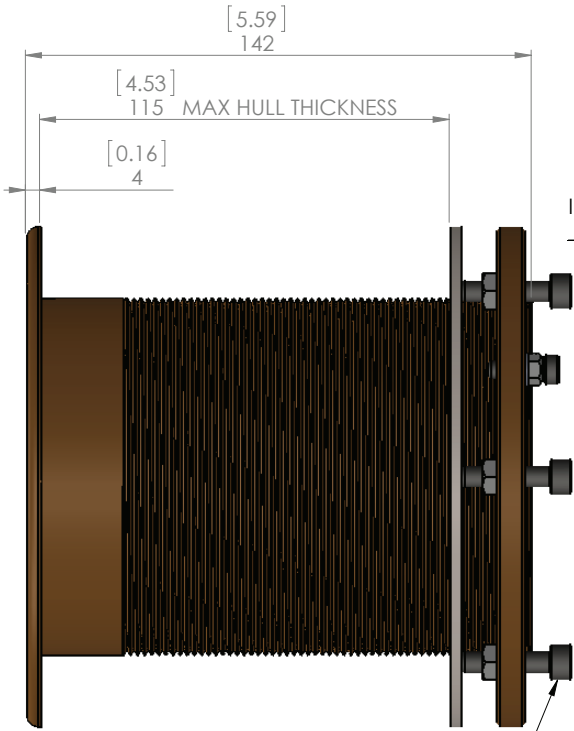


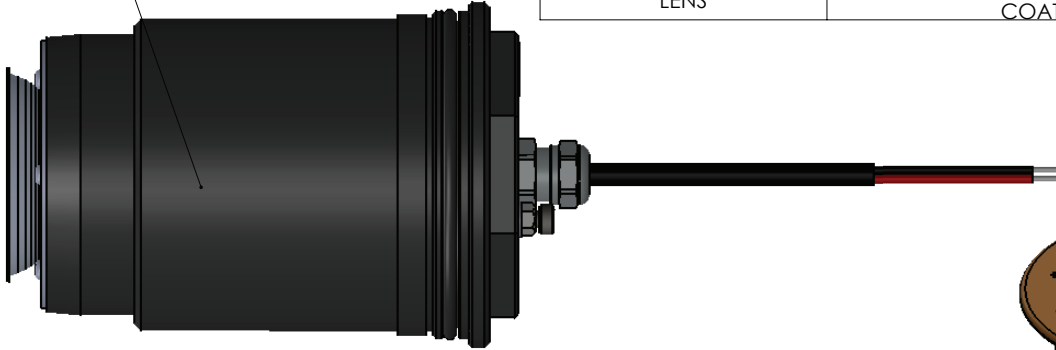
A B C D E F G H I J K

SPECIFICATIONS

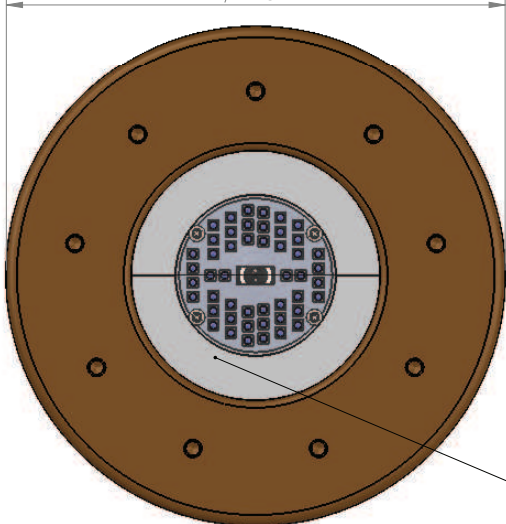
LUMENS	GREAT WHITE GW48 COLOUR CHANGE
WATTAGE	UP TO 10000
NO. LEDs	155
1 @ 12V	48
1 @ 24V	N/A
BEAM ANGLE	60 DEG FWHM
LIGHT DIA	140mm, 5.5"
LIGHT HEAD HEIGHT	4mm, 0.16"
LIGHT OVERALL LENGTH	170mm, 6.69"
MOUNTING HOLES PCD	N/A
HULL CUTOFF DIA	101mm, 4"
LIGHT APERTURE	70mm, 2.76"
WEIGHT	5.2KG
LENS	8mm BOROSILICATE WITH ANTI-STICK COATING



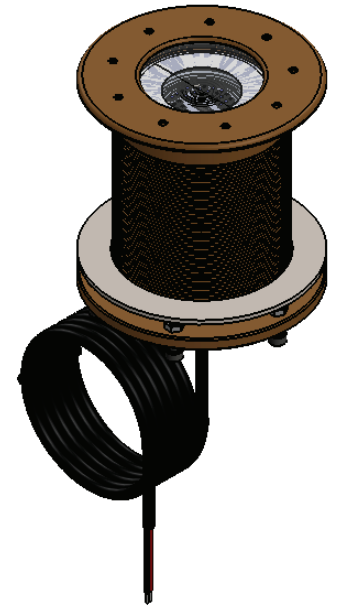
INTERCHANGEABLE LIGHT ENGINE



[5.51] Ø140

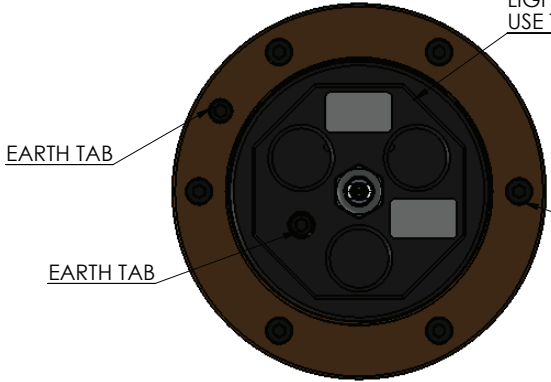


LENS: 8mm BOROSILICATE WITH ANTI STICK COATING



TIGHTEN M6 CLAMPING BOLTS SEQUENTIALLY AFTER CLAMPING TIGHTEN LOCKING NUTS

LIGHT ENGINE REMOVAL FEATURE. USE TOOL PROVIDED



EARTH TAB

TIGHTEN MOUNTING BOLTS SEQUENTIALLY

EARTH TAB

ALL DIMENSIONS ARE IN MILLIMETERS
 TOLERANCES ON CASTINGS, UNMACHINED PARTS AND FABRICATIONS, +/- 0.8
 TOLERANCES ON MACHINED DIMENSIONS
 WHOLE UNITS +/- 0.25
 ONE DEC. PLACE +/- 0.1
 TWO DEC. PLACE +/- 0.05
 ANGLES +/- 0.5 DEG.

Iss	Rev	Status	Date	Change	Drawn	Chk'd	Appv'd
A00	A	REL	22/10/2014		DWL	DWL	DWL

Notes.

ALL UNSPECIFIED CHAMFERS 1 x 45
 BREAK ALL SHARP EDGES 0.1 TO 0.5

THIRD ANGLE PROJECTION Sheet. 1 of 3 Scale. 1:1.5 A3

Description.	GREAT WHITE GW48 COLOUR CHANGE		
Material.			
Finish.			
DWG No.	Iss.	Rev.	Status.
GAA-0113 Iss A00A	A00	A	RELEASED