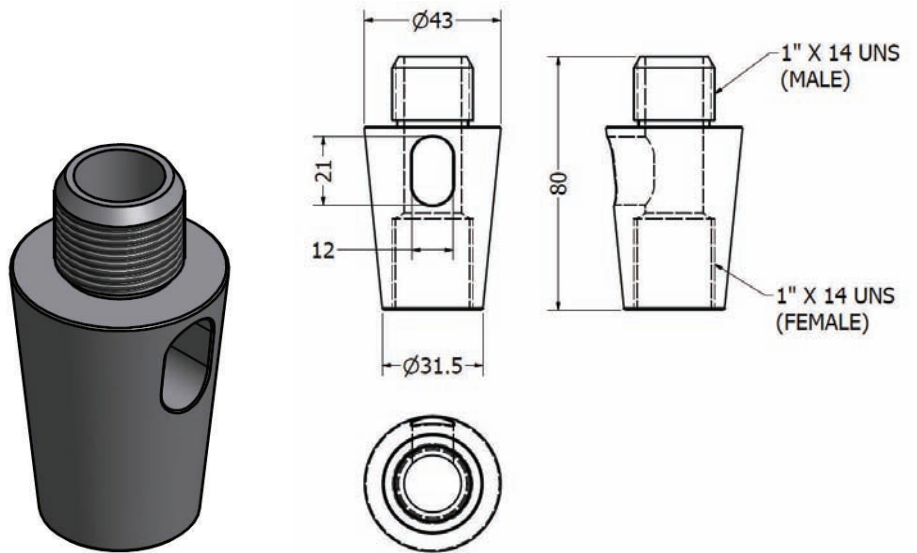


AV-C2 Adaptor

The AV-C2 is a tapered adaptor that is fitted in between larger diameter BI series antennas and BI series brackets. The adaptor is will also fit some HF antennas with a TS suffix. The adaptor has a slot cut into the side allowing the coaxial cable to exit above the bracket. The adaptor has a 1" x 14 UNS male thread at the top and a 1" x 14 UNS female thread at the bottom.



Typical Use

