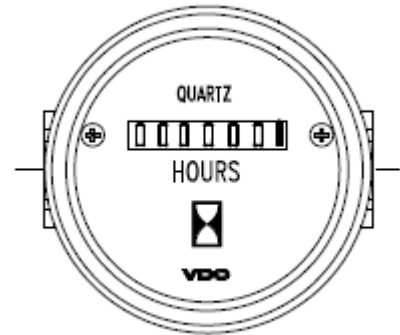


DC Hourmeters

Description

Instruments to count operating hours for stationary, off-highway, on-highway and marine applications .



Features

- ABS sealed housing
- Easy readability
- Standard .250" (6.3mm) spade connectors

Concept

- 10-28, 10-60 and 10-80 VDC
- 10K and 100K hour counting

Power Supply

- Operating Voltage As indicated on following pages

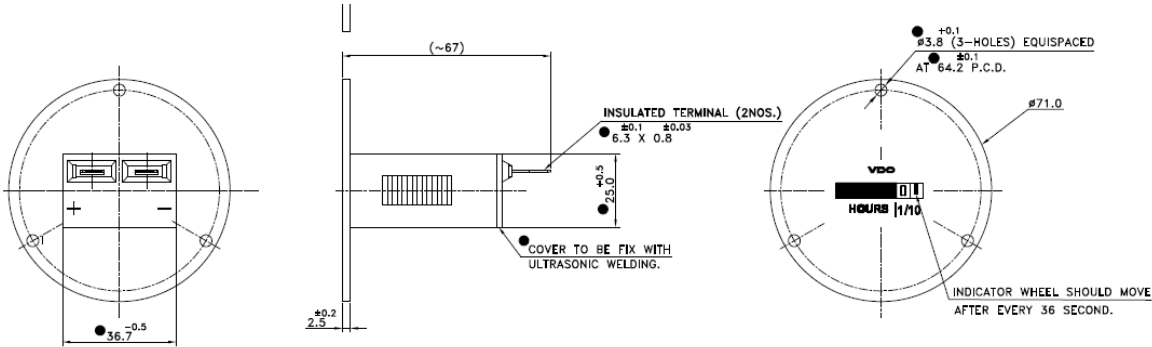
Hardware

- Performance Specification SAE 1378, SAE J2020
- Accuracy +/- .02% Elapsed Time
- Material Sealed ABS or zinc plated steel

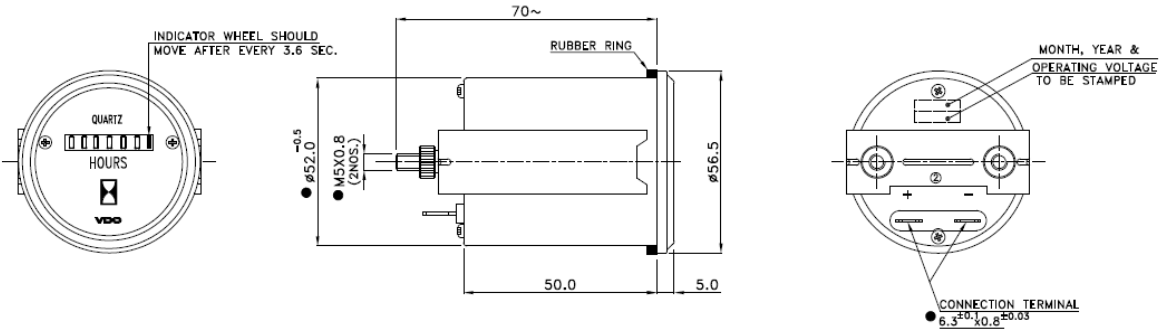
Product Information

www.vdo.com/usa

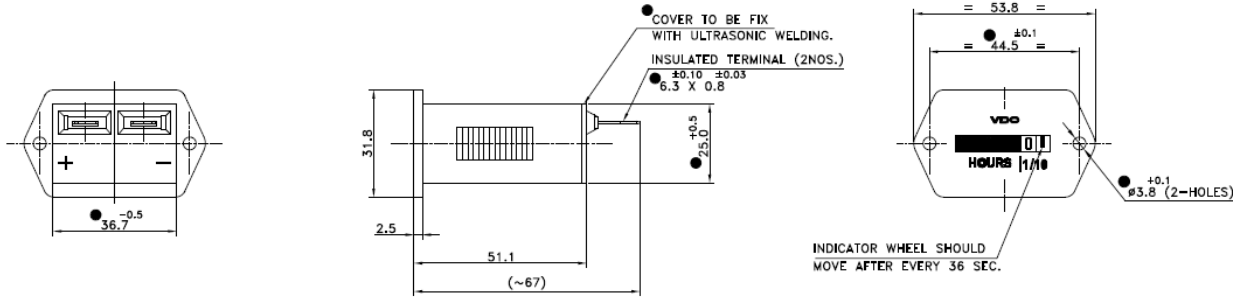
331-958
ABS housing
10-80V



331-540
Zinc Plated Steel
10-28V



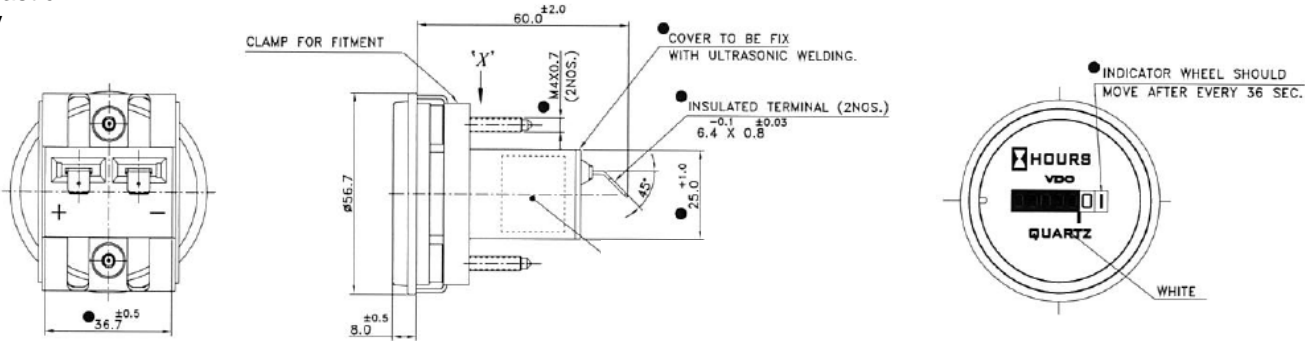
331-536
ABS housing
10-80V



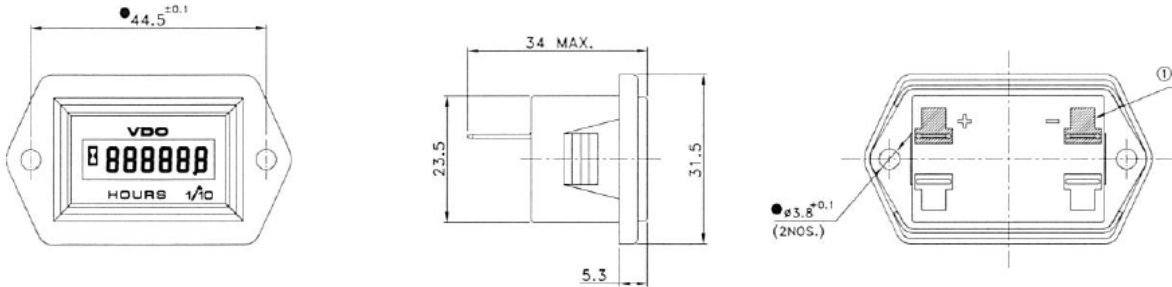
Product Information

www.vdo.com/usa

331-545
ABS Plastic
10-80V



331-542
ABS Plastic
10-32V



331-546, 331-548
ABS Plastic
10-28V

