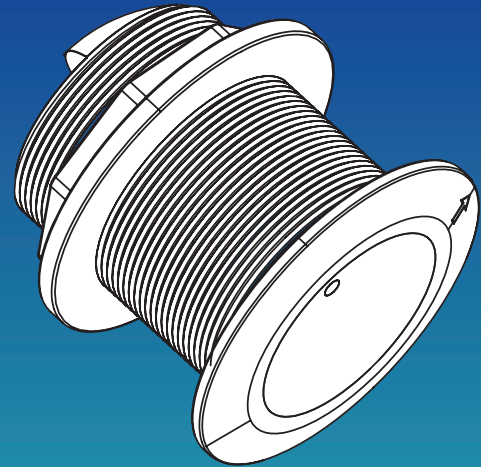


# High Frequency CHIRP Transducer

**BT87H1kW**

**130 – 210 kHz 1 kW**



## Superior shallow-water performance and bottom detail

The Echonautics BT87H1kW is a low-profile thru hull CHIRP transducer designed to minimize drag and to perform at high speeds.

Thanks to the narrow beamwidth, it is excellent for pinpointing fish holding tight to reefs, wrecks, and other structures.



**\*Warning:** do not install bronze housing into metal hulls.

### TRANSDUCER

- CHIRP

---

---

### FREQUENCY

- 130 – 210 kHz  
High Frequency

---

---

### BEAMWIDTH

- 13° to 8° beamwidth

---

---

### POWER

- 1 kW

---

---

### MOUNT

- Thru hull

---

---

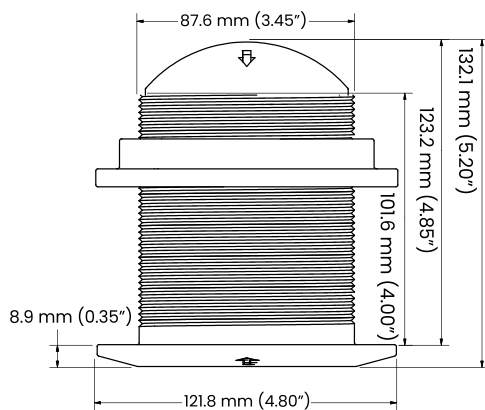
### MATERIAL

- Bronze

# High Frequency CHIRP Transducer

## BT87H1kW

### TECHNICAL SPECIFICATIONS



Function	Depth and Temperature
Frequency	CHIRP 130 - 210 kHz
Mount type	Thru hull
Tilt/deadrise options	18° tilted version: for 16° to 24° hull deadrise 12° tilted version: for 8° to 15° hull deadrise 0° tilted version: for 0° to 7° hull deadrise
Material	Bronze
RMS Power	1 kW
Beamwidth	13° to 8° @-3db
Depth	Max 304 m (1,000 ft)
Temp. sensor	NTC
Acoustic window	Urethane
Weight	3540 g (125 oz)
Cable length	9 m (30 ft)
Hole diameter	87.6 mm (3.45")

L43H1ECAA010

Customization available on request.

#### Designed in USA, Made in ITALY

Echonautics is the result of a joint venture between an American company specialized in transducers design and an Italian manufacturer of marine electronics since 1985, born to offer a high-quality range of transducers ready to deliver to boat manufacturers worldwide.

#### SALES NORTH AMERICA

##### AvMap Satellite Navigation Inc. (TWS group)

25 Enterprise Zone Drive,  
Riverhead, NY 11901, USA  
+1 800 363 2627  
orders@avmap.us

#### SALES EMEA, APAC

##### AvMap s.r.l. (TWS group)

Viale Zaccagna 6,  
54033 Carrara (MS), ITALY  
+ 39 0585 772305  
orders@avmap.it