

# SmartShunt 300 A / 500 A / 1000 A / 2000 A

www.victronenergy.com



SmartShunt 300 A



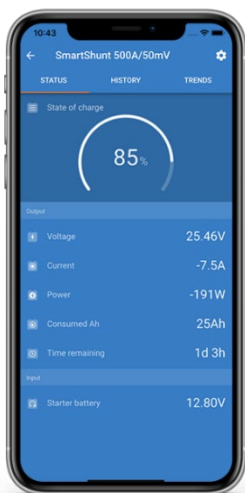
SmartShunt 500 A



SmartShunt 1000 A



SmartShunt 2000 A



The SmartShunt is an all-in-one battery monitor, only without a display. Your phone acts as the display.

The SmartShunt connects via Bluetooth to the VictronConnect app on your phone (or tablet) and you can conveniently read out all monitored battery parameters, like state of charge, time to go, historical information and much more.

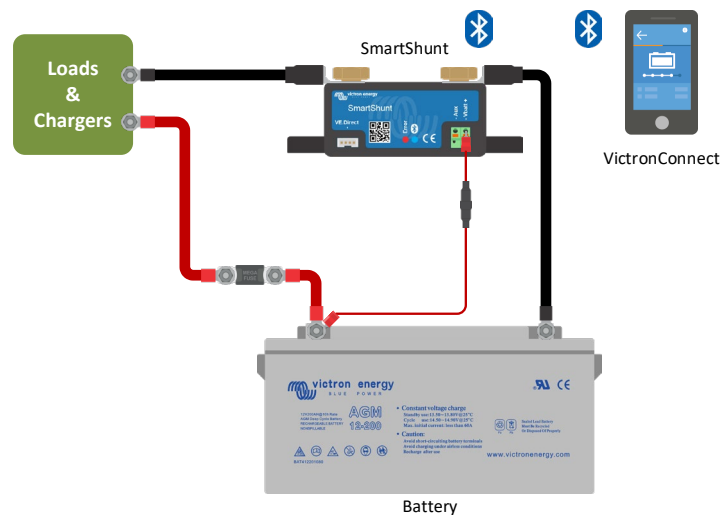
Alternatively, the SmartShunt can be connected and be read by a GX device. Connection to the SmartShunt is made via a VE.Direct cable.

The SmartShunt is a good alternative for a BMV battery monitor, especially for systems where battery monitoring is needed but less wiring and clutter is wanted.

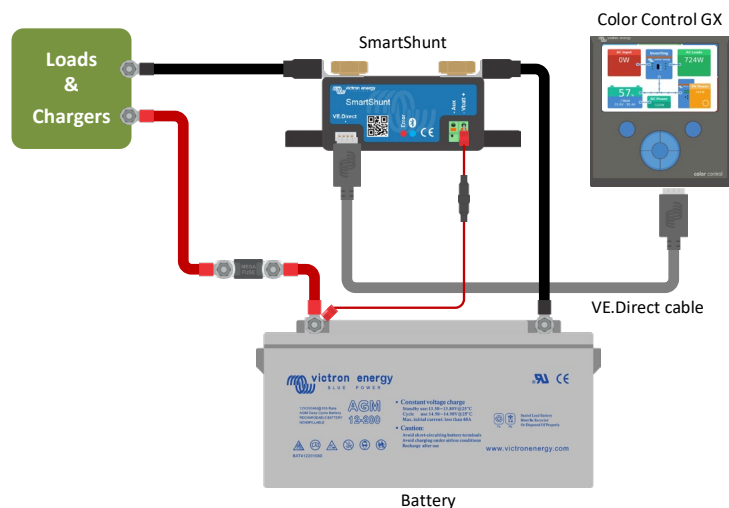
The SmartShunt is equipped with Bluetooth, a VE.Direct port and a connection that can be used to monitor a second battery, for midpoint monitoring, or to connect a temperature sensor.

### Differences compared to BMV-712 Battery Monitor

- No programmable visual and audible alarm.
- No programmable relay.

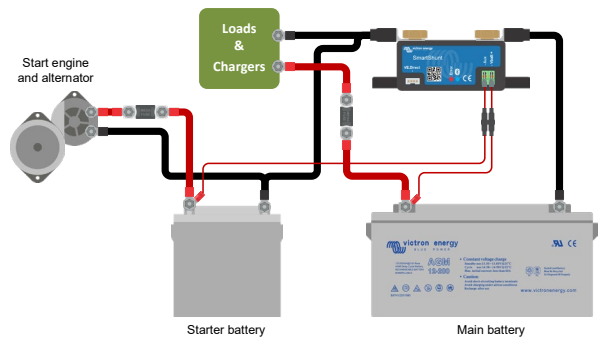


Basic SmartShunt wiring

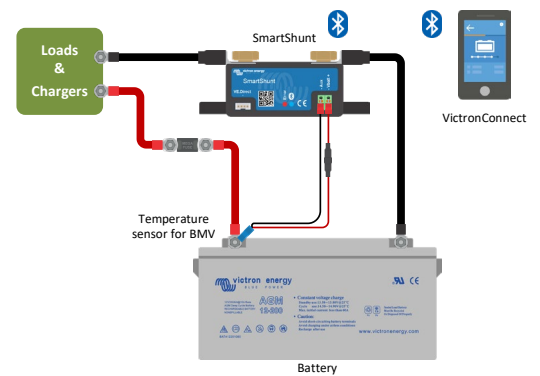


Connecting a SmartShunt to a GX device

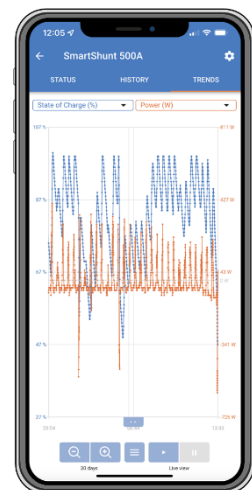
SmartShunt		300 A / 500 A / 1000 A / 2000 A
Supply voltage range		6.5 - 70 VDC
Current draw		< 1mA
Input voltage range, auxiliary battery		6.5 - 70 VDC
Battery capacity (Ah)		1 - 9999 Ah
Operating temperature range		-40 +50°C (-40 - 120°F)
Measures voltage of second battery, or temperature, or midpoint		Yes
Temperature measurement range		-20 +50°C
VE.Direct communication port		Yes
RESOLUTION & ACCURACY		
Current		± 0.01 A
Voltage		± 0.01 V
Amp hours		± 0.1 Ah
State of charge (0 - 100 %)		± 0.1 %
Time to go		± 1 min
Temperature (if optional temperature sensor connected)		± 1 °C/°F (0 - 50 °C or 30 - 120 °F)
Accuracy of current measurement		± 0.4 %
Offset		Less than 10 / 10 / 20 / 40 mA
Accuracy of voltage measurement		± 0.3 %
INSTALLATION & DIMENSIONS		
Dimensions (h x w x d)		300 A: 44 x 120 x 44 mm 500 A: 46 x 120 x 54 mm 1000 A: 68 x 168 x 75 mm 2000 A: 68 x 168 x 100 mm
Shunt connection bolts		300 A: M8 500 A, 1000 A, 2000 A: M10 (0.3937 inch)
Protection category		IP21
STANDARDS		
Safety		EN 60335-1
Emission / Immunity		EN-IEC 61000-6-1 EN-IEC 61000-6-2 EN-IEC 61000-6-3
Automotive		EN 50498
ACCESSORIES		
Cables (included)		Two cables with 1 A fuse, for '+' connection and starter battery or midpoint connection
Temperature sensor		Optional (ASS000100000)
A note regarding the range of the Bluetooth signal		The shunt and the electric cables do negatively influence the range of the Bluetooth signal. The resulting range of 10-15 meter is however satisfactory in most cases. The proximity of other electrically conducting elements, such as the metal chassis of a vehicle or seawater around the hull if a boat, may reduce the range of the Bluetooth signal to an unacceptable level. The solution in such a case is to add a VE.Direct Bluetooth Dongle (ASS030536011) to the system, and to switch off Bluetooth in the SmartShunt.
STORED TRENDS		
Data stored		Battery voltage, Current, State of Charge % as well as the Aux input (Battery temperature, or midpoint deviation, or starter battery voltage).
Number of days trends data is stored		46



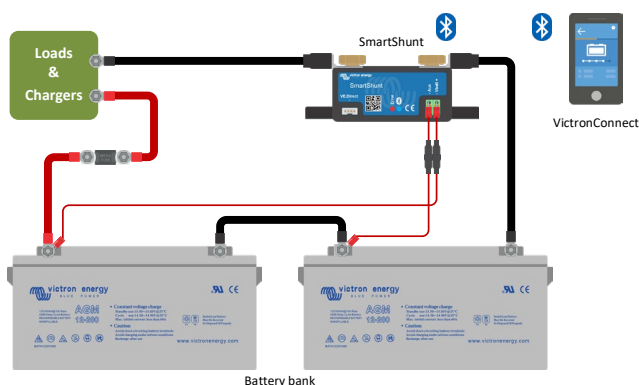
Measuring voltage of the starter battery



Measuring battery temperature



Stored trends for SmartShunt



Measuring battery bank midpoint