

 SEAKEEPER  
**RIDE**

YOU'RE IN FOR ONE  
**HELL**  
OF A RIDE

 SEAKEEPER  
**RIDE**

[ride.seakeeper.com](http://ride.seakeeper.com)

3434 Hancock Bridge Pkwy | Fort Myers, FL 33903 | 410.326.1590

**THEY SAY  
HISTORY REPEATS ITSELF.**

WE **DRASTICALLY**  
CHANGED THE BOATING EXPERIENCE ONCE, AND  
**WE'RE DOING IT AGAIN.**

**THROW EVERYTHING YOU KNOW  
ABOUT TRANSOM-MOUNTED SYSTEMS AWAY.**

NOW,  
IMAGINE **BOATING WITHOUT SLAMMING.**

IT'S THE SWITCH FROM STICK SHIFT  
TO AN AUTOMATIC TRANSMISSION.

WE'RE ABOUT TO  
**KNOCK YOUR  
BOAT  
SHOES OFF.**

**YOU THOUGHT YOU  
KNEW BOATING, BUT  
YOU'RE IN FOR**

**ONE OF THE HELL  
OF A RIDE.**





# A CATEGORY OF ITS OWN

Inspired by advanced aerospace technology to control pitch, roll, and yaw, Seakeeper Ride is the first and only Vessel Attitude Control System (VACS).

Eliminate up to 70% of underway pitch and roll. It's intuitive. It's automatic. It's transformational.



Seakeeper Ride 450 is standard equipment on the Sportsman Open 232 Center Console

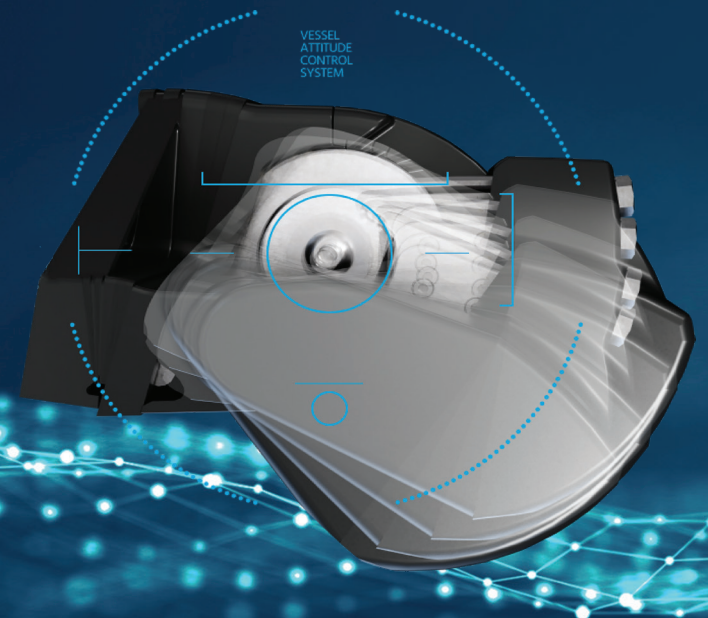
## COMPLETE UNDERWAY STABILIZATION



WAVES COME  
AT YOU **FAST.**

**TO ELIMINATE MOTIONS,**

WE HAD  
TO BE **FASTER.**



## THE NEED FOR SPEED

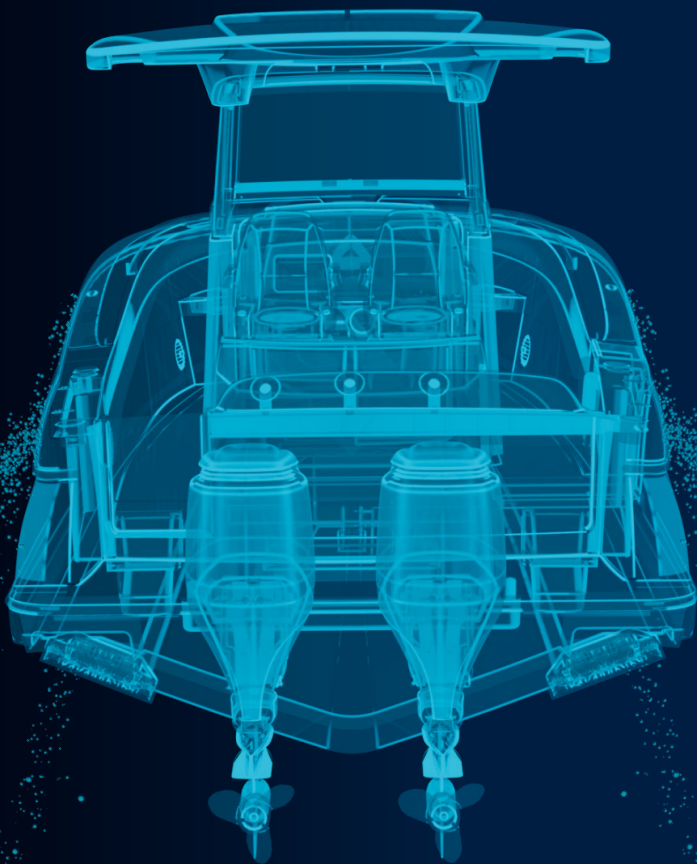
Wave motions are often unpredictable and ever-changing, occurring in just milliseconds. It took expert control software and hardware to compete.

Seakeeper Ride's sensors take **1,000 measurements** and its proprietary rotary blades make **100 adjustments** **EVERY SECOND** to combat wave motions.



# IT DOES WHAT?

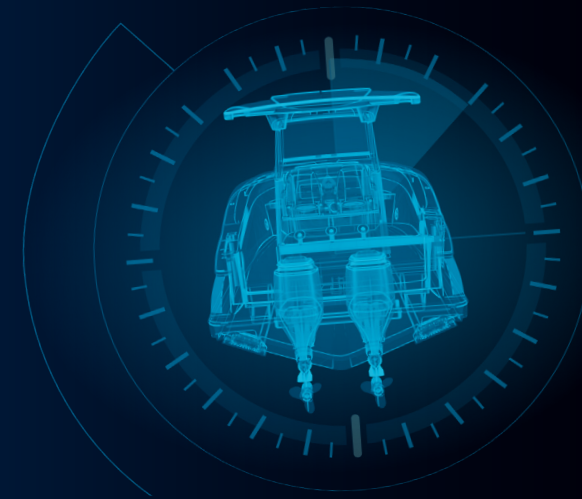
Seakeeper Ride **eliminates up to 70% of underway pitch and roll motions** that often cause the boat to slam - **without ever touching a button.**



## BUT THAT'S NOT ALL...

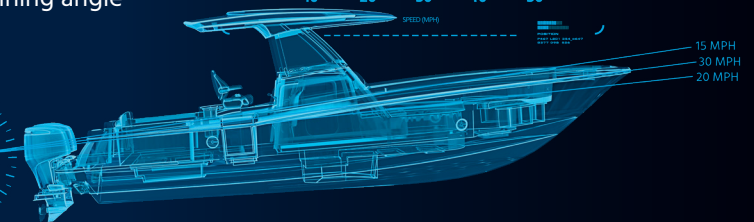
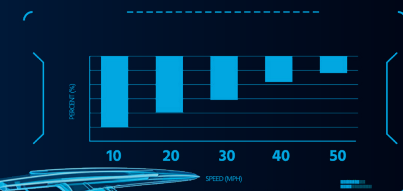
### LIST/LEVEL CONTROL

Never allows vessel list from movement onboard, wind, uneven load while underway, and/or prop torque



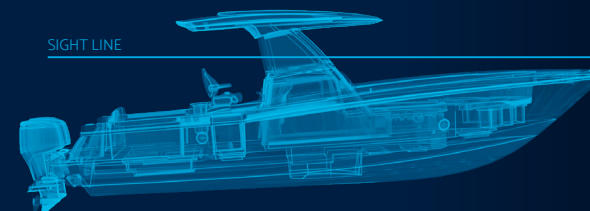
### AUTOTRIM

Customized Trim Command Curve automatically adjusts the boat to match the optimal running angle at any given speed



15 MPH  
30 MPH  
20 MPH

SIGHT LINE



### HOLESHOT

Optimized to allow for faster acceleration, getting the boat on plane more quickly and improving fuel economy during the transition to planing

### COORDINATED TURN

Automatically adjusts the heeling angle of your boat during turns for more comfort, increased safety, and better performance at any given speed



# THE SEAKEEPER RIDE DIFFERENCE

## **RAPID ACTUATION**

Rotary blades deploy at a rate of up to 300 mm per second, enabled by a power-dense rotary design that requires just 7-16 Amps for operation

## **FULL UNDERWAY CONTROL**

Controls all motions (pitch, roll, yaw) thanks to deployment speed and proprietary control software and hardware

## **INTUITIVE**

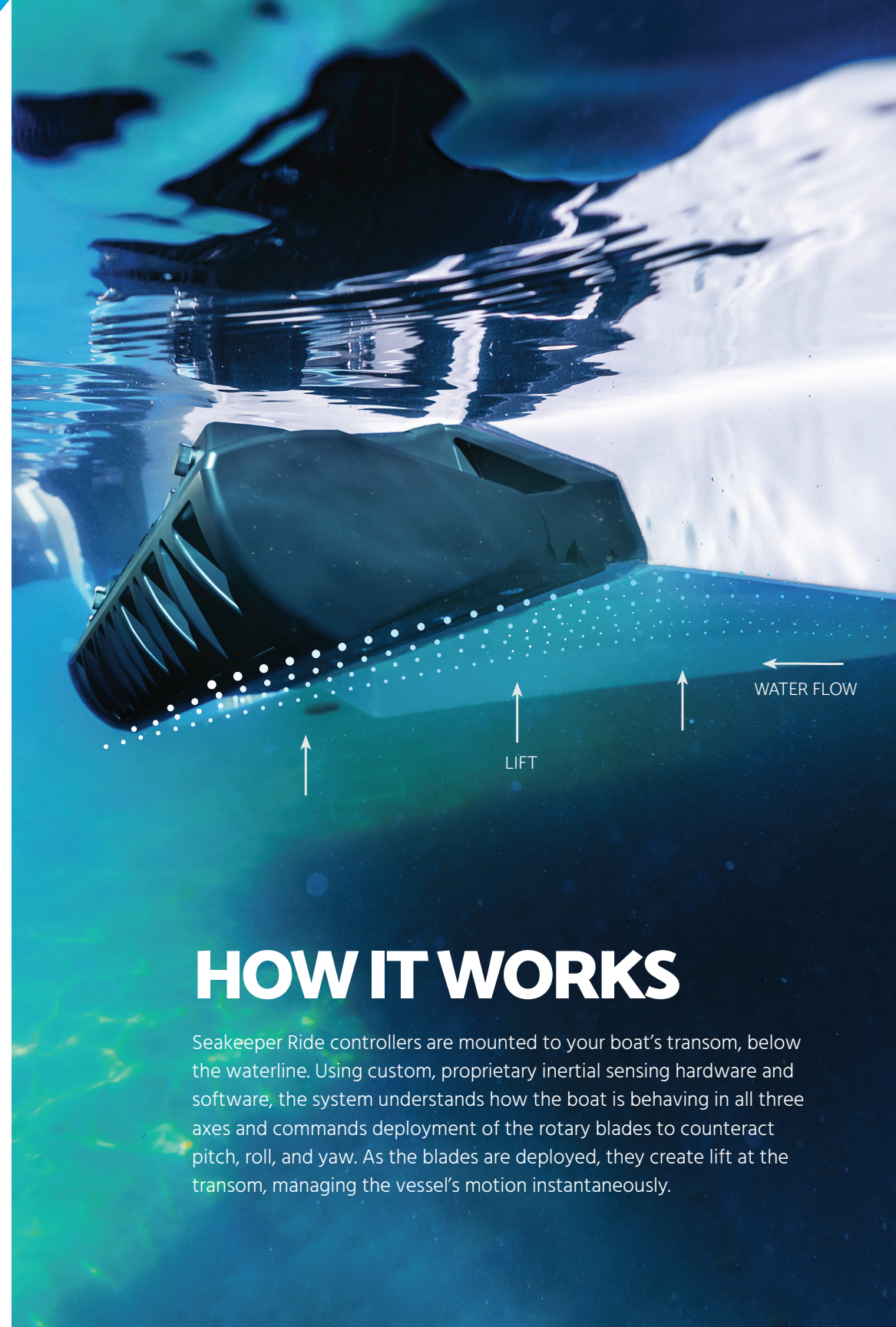
Predicts motion and responds automatically and instantaneously to eliminate them before they're felt with no manual adjustments needed

## **RELIABLE**

Drivetrain is completely sealed in a dry and greased environment with no mechanical exposure to saltwater

## **SIMPLE INSTALLATION**

Easily installed on most transoms



## **HOW IT WORKS**

Seakeeper Ride controllers are mounted to your boat's transom, below the waterline. Using custom, proprietary inertial sensing hardware and software, the system understands how the boat is behaving in all three axes and commands deployment of the rotary blades to counteract pitch, roll, and yaw. As the blades are deployed, they create lift at the transom, managing the vessel's motion instantaneously.

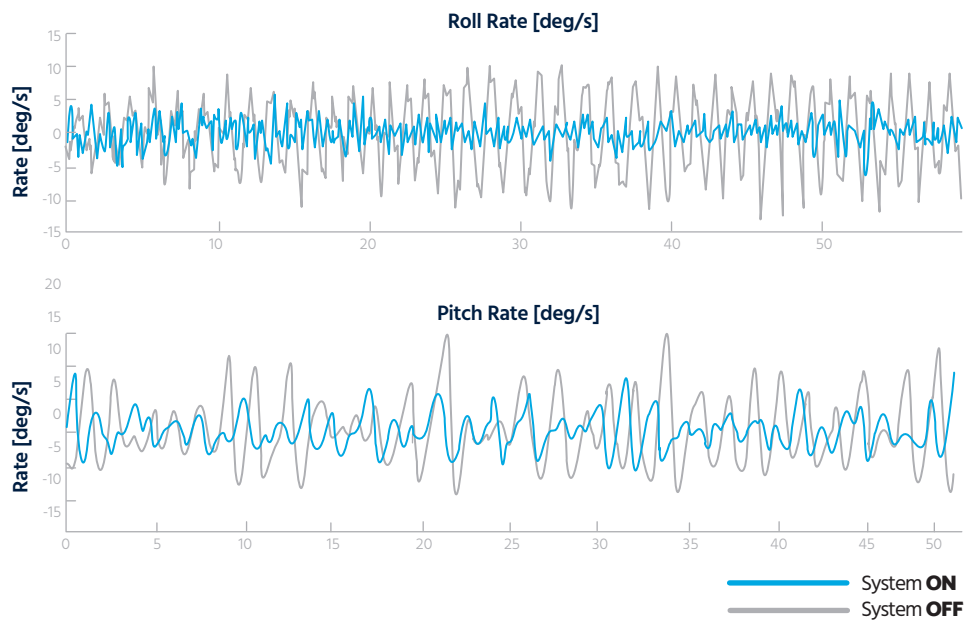




UP TO  
**70%**  
PITCH & ROLL  
ELIMINATED

# PROVE IT

Claims of pitch and roll elimination are nothing without the backing of real, measurable results, so we've created a library of data to prove it.



Visit [ride.seakeeper.com/performance](http://ride.seakeeper.com/performance) to see our full library of performance reports.

Seakeeper Ride 525 is standard equipment on the Chris-Craft Catalina 30

# PRODUCTS



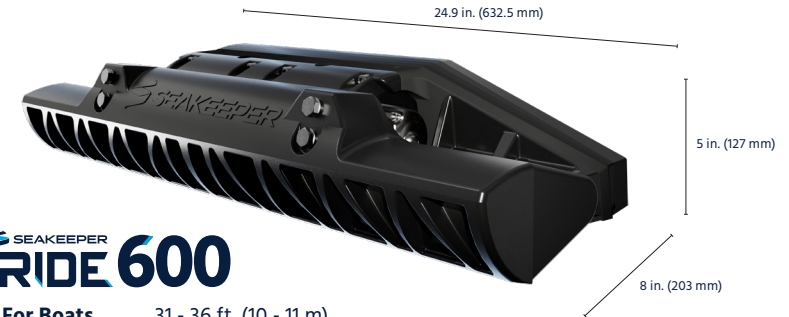
## SEAKEEPER RIDE 450

**For Boats** Up to 26 ft. (8 m)  
**Configuration** Two controllers per system  
**Power Draw** 12V 7-10 Amps @ cruising speeds  
**Retail Price** \$4,500



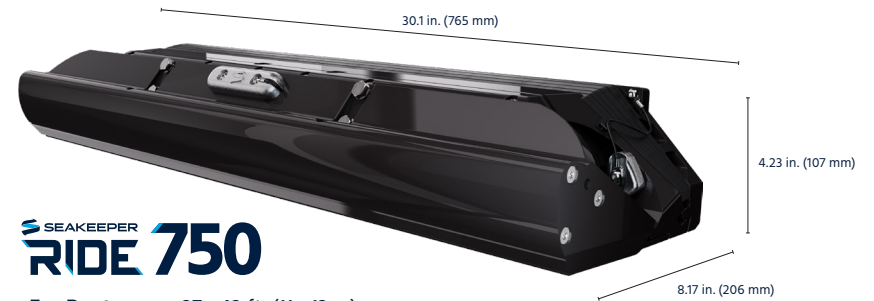
## SEAKEEPER RIDE 525

**For Boats** 27 - 30 ft. (8 - 9 m)  
**Configuration** Two controllers per system  
**Power Draw** 12V 7-10 Amps @ cruising speeds  
**Retail Price** \$7,500



## SEAKEEPER RIDE 600

**For Boats** 31 - 36 ft. (10 - 11 m)  
**Configuration** Two controllers per system  
**Power Draw** 12V 7-10 Amps @ cruising speeds  
**Retail Price** \$10,500



## SEAKEEPER RIDE 750

**For Boats** 37 - 42 ft. (11 - 13 m)  
**Configuration** Two controllers per system  
**Power Draw** 12V 7-10 Amps @ cruising speeds  
**Retail Price** \$17,500

If your transom does not have adequate space for Seakeeper Ride 750, Seakeeper Ride 750 Quad offers four smaller controllers to create the same lift.



## SEAKEEPER RIDE 750 QUAD

**For Boats** 37 - 42 ft. (11 - 13 m)  
**Configuration** Four controllers per system  
**Power Draw** 12V 14-16 Amps @ cruising speeds  
**Retail Price** \$20,500

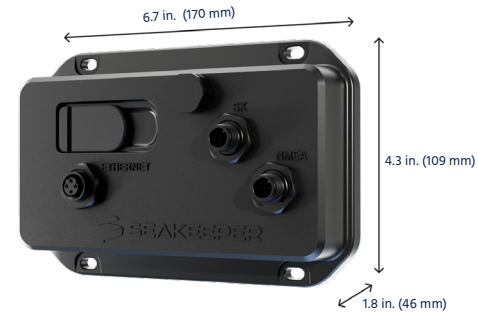


# COMPONENTS



## KEEP IT SIMPLE

Manually adjusting trim and list from a keypad is so last year. High tech doesn't have to mean extra difficult. Seakeeper Ride is completely automatic with no manual keypad adjustments needed. Just turn the key and enjoy the ride.



### SOFTWARE MODULE

The "brain" of the system that includes Seakeeper Ride's proprietary software and motion sensor



### DISTRIBUTION MODULE

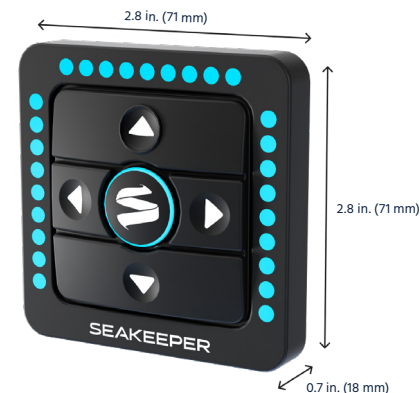
Provides power and communication between the controllers and the software module

Two (2) distribution modules are supplied with the Seakeeper Ride 750 Quad system



### USER INTERFACE

Compatible with select models from Garmin, Raymarine, Simrad, Navico, Lowrance, B&G, Furuno or Q Experience



### KEYPAD (OPTIONAL)

Physical, mountable keypad that can be used for manual adjustments outside the MFD application



# HOW TO BUY REFITS

## THE BOAT YOU LOVE BUT BETTER

Wondering if Seakeeper Ride can be added to your boat? Most likely, yes! Seakeeper Ride is compatible with boats that have:

- Fiberglass or aluminum hulls
- Stepped or non-stepped hulls
- Single or multiple engines
- A length of ~42 ft. or less and available transom space
- Cruising speed greater than 20 mph
- Compatible Garmin, Raymarine, Simrad, Navico, Lowrance, B&G, Furuno or Q Experience MFD

Join the thousands of boaters who said yes to adding Seakeeper Ride to their boat.  
[ride.seakeeper.com/refit](https://ride.seakeeper.com/refit).

### GLOBAL DEALER NETWORK

With a growing dealer network around the world, there are trained experts near you to answer questions, confirm compatibility, and complete your Seakeeper Ride installation. Find a dealer at [ride.seakeeper.com/find-us](https://ride.seakeeper.com/find-us).



*“I’ve been a boater for 40 years, Seakeeper Ride completely changes the ride. It’s amazing, and I wouldn’t want to boat without it.”*

– Doug Speeler, Seakeeper Ride Owner  
2023 Contender 39 ST



# HOW TO BUY NEW BOATS

# IT'S THE STANDARD

*“It’s one of the most significant improvements to the way boats handle and ride that I’ve seen in my entire career.”*

– Ron Berman  
Chris-Craft Boats, Vice President of Engineering

More and more builders are installing Seakeeper Ride as standard equipment because they know you’ll have more (and better) boating days with the automatic pitch, roll, and yaw elimination that Seakeeper Ride provides.

It’s not a matter of if, but when Seakeeper Ride is on every boat. See the complete list of leading boat manufacturers that offer Seakeeper Ride as standard equipment at [ride.seakeeper.com/standard](https://ride.seakeeper.com/standard).



Seakeeper Ride 525  
is standard equipment  
on the Scout 305 LXF



# SUPPORT

## WARRANTY

Each Seakeeper Ride system comes with a 2-year standard warranty, so rest assured, we've got you covered.

See more at  
[ride.seakeeper.com/warranty](https://ride.seakeeper.com/warranty)

## SUPPORT

Our online support center gives you 24/7 access to how-to content, FAQs, product care information, troubleshooting, software updates, manuals and more.

Visit us at  
[ride.seakeeper.com/support](https://ride.seakeeper.com/support)


## CONTACT

Can't find what you need online? We're here for you! Whether you're inquiring about a new installation or are an owner with questions, we love talking to boaters around the world.

Contact us at  
[ride.seakeeper.com/contact](https://ride.seakeeper.com/contact)



## CONNECT WITH US

-  seakeeper.ride
  -  seakeeperride
  -  seakeeper
  -  seakeeperinc
- #seakeeperride



Scan to join our email list